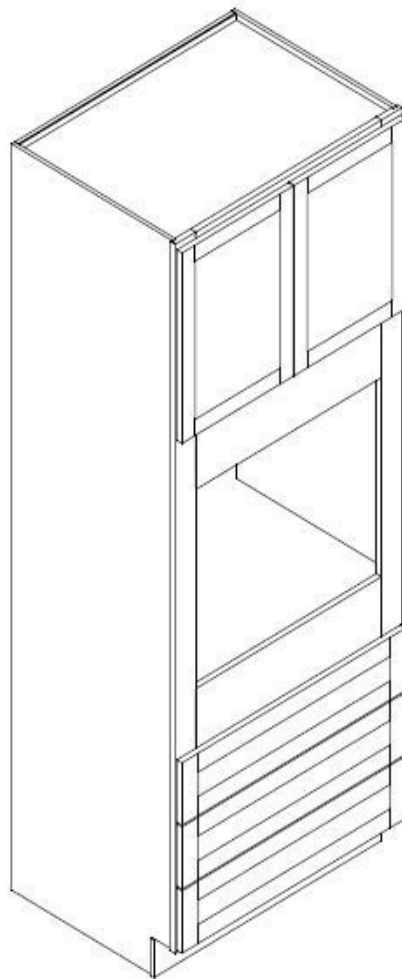


CABINETS **WOW**
TO GO **FOR**
LESS.

Findley
& Myers
FINE CABINETRY MAKERS

Double Oven Cabinet
ASSEMBLY INSTRUCTIONS



These assembly instructions are only applicable for all Double Oven Cabinets.
ITEM #OC3384SD, OC3390SD, OC3396SD



ATTENTION: For questions or concerns about your cabinets, assembly or installation, please contact our dedicated Customer Care Team at **1-800-CABINET (222-4638)**. Our Customer Care associates are here for you every step of the way.

► **General Instructions:**

Thank you for purchasing a Cabinets To Go product. You are now the proud owner of a high quality product designed to face the test of daily use and guaranteeing your enjoyment for many years to come.

Carefully read the instructions before starting the installation.

During assembly, please follow all generally accepted safety procedures.

Failure to adhere to the following instructions will invalidate the warranty and Cabinets To Go will decline any responsibility for any damages caused. Any installation which does not correspond to the instructions may result in defects, malfunctioning parts, significant damage and/or injury.

Before the assembly begins, check that all appropriate and required plumbing and electrical connections exist.

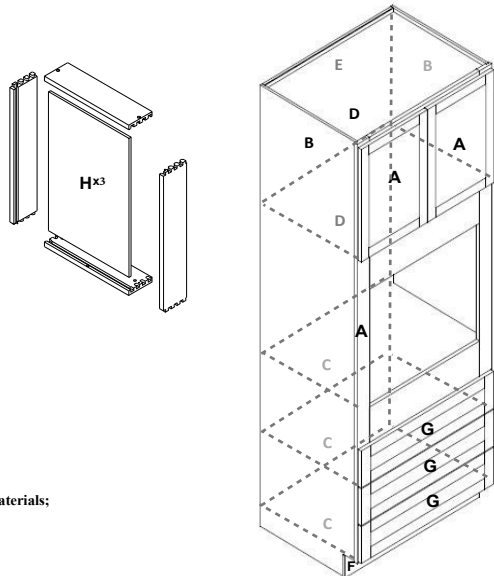
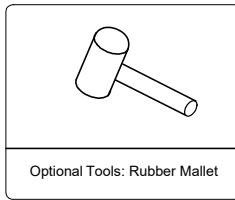
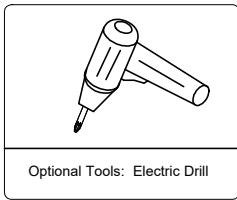
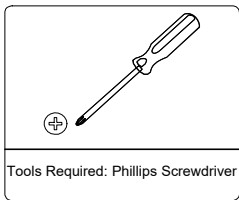
Before drilling, make absolutely sure that there are no pipes (gas, water, electricity, heating, etc.) at the drilling location. Cabinets To Go will not be held responsible for failure to follow these instructions.

PRIOR TO ASSEMBLY, PLEASE MAKE SURE YOU HAVE ONE FACE FRAME BOX AND ONE CARCASS BOX, WHICH HAVE ALL THE PARTS IN THE QUANTITIES MENTIONED BELOW. IF YOU ARE MISSING ANY PARTS, PLEASE STOP AND CONTACT CUSTOMER CARE IMMEDIATELY AT 1-800-CABINET.

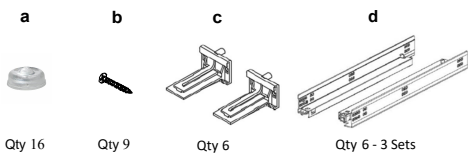
► **Items Quantity**

| Item | Description | Qty |
|------|---|-----|
| A | Face Frame with Door | 1 |
| B | Side Panels | 2 |
| C | Bottom Panel | 3 |
| D | Top Panel | 2 |
| E | Back Panel | 1 |
| F | Toe Kick | 1 |
| G | Drawer Front | 3 |
| H | Drawer Box | 3 |
| I | Hardware box: | 1 |
| | Bumper 16pcs, drawer slide 3-sets, drawer rail holder 6pcs, 1" flat head screws for slide 18pcs | |
| | | |

► **Required tools:**



► **Hardware Box:**



The materials listing above are for the largest unit in this instruction set. Smaller units may require less hardware and materials; therefore, your item may contain a smaller number of each.

NOTICE

⚠ If the OC you are installing runs the length of your ceiling height, it is recommended to assemble the unit standing to avoid scraping your ceiling.

► Instructions:

- Put the Back Panel (E) face up on a flat soft working surface to ensure that the surface is not scratched or damaged. Attach the drawer rail holders (c) to the pre-spotted areas using the supplied screws. (Figure 1)

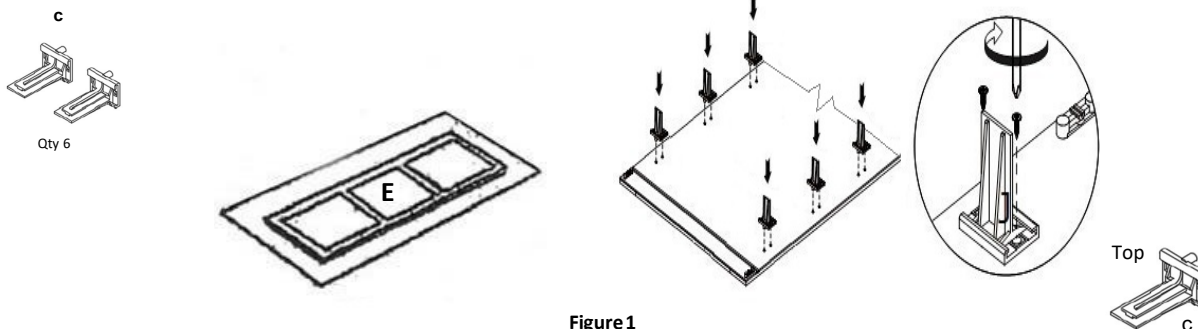


Figure 1

- Installing the Side Panels:** Insert the right and left side panels (B) into the grooves of the back panel (D) and align the cam lock connectors. (Figure 2) Lock the cam lock with a screwdriver by turning the screw 180° clockwise. (Figure 3)



Figure 2

Figure 3

- Installing the Toe Kick (F):** Place the toe kick (F) at the end of side panels (B). Align each cam lock on the toe kick and lock them. (Figure 4)

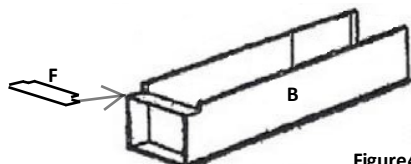


Figure 4

- Install the Top & Bottom Panels (C & D)** by sliding them in to the grooves.

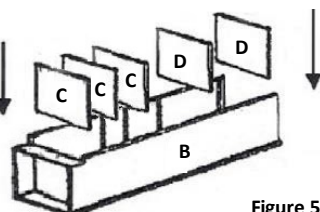


Figure 5

- Install the face frame (A)** by placing cam lock side down onto the box of the cabinet. (Figure 6) Align all grooves and cam locks onto the face frame and coordinating cam locks. It may be necessary to open all cabinet doors. Lock all face frame cam locks with a screwdriver. (Figure 3)

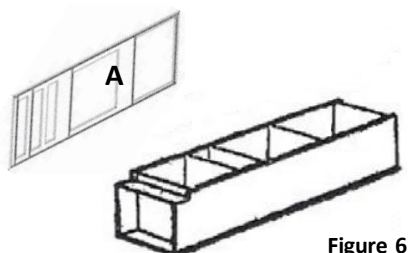
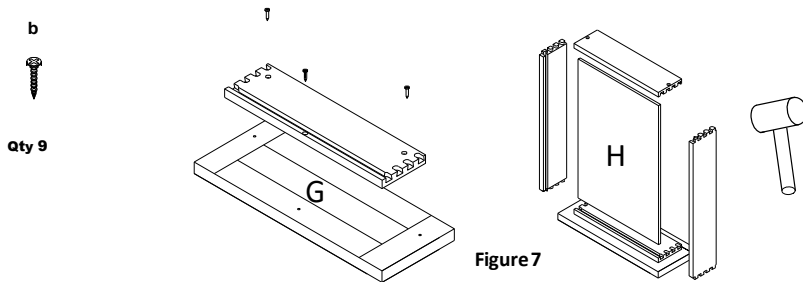
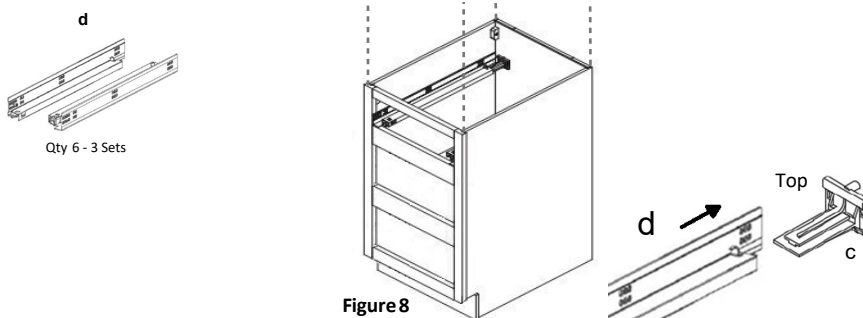


Figure 6

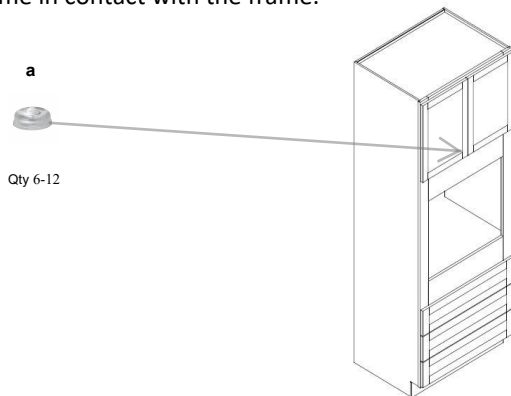
6. Drawer Assembly (Figure 7): First assemble the drawer front (G) with drawer box front (H) with screws (b). Then assemble the rest of the parts of the drawer box (H) using your palm, or a rubber mallet if needed, to secure the dove tails into position. Repeat step for additional drawers.



7. Install the drawer slides (d) into the assembled cabinet onto the drawer rail holders (c) installed in Step 1, using the pre-drilled holes in the frame, and the provided screws. (Figure 8)



8. Install the rubber buttons (a) onto the corner of the doors where they come in contact with the frame.



► Maintenance

For daily cleaning, use a dry cloth and a soft liquid cleaner.

Never use abrasive cleaners containing acetone, chlorine or strong bleach. Also, do not use tools as scrapers, metallic brushes, and other products which can scratch or tarnish surfaces.

Under no circumstances should you use chrome cleaner on chrome-plated or brass trim, hinges, handles, sockets etc.

Good ventilation is essential for maintaining the quality and look of this furniture.

Warranty and Customer Care Information

For the most up to date warranty information for your product, please visit our website - www.cabinetstogo.com to get the specific details. If you have any questions with warranties or to make a claim, please contact Customer Care by email - customer care@cabinetstogo.com or call 1-800-CABINET.