

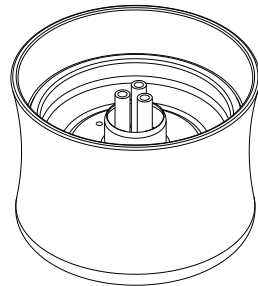
# LOVINFLAME

## OWNER'S MANUAL

**PEARL Ceramic Candle Deluxe**

**CSC30100 Black**

**CSC30100 White**



Lovinflame, Inc.  
9F, No. 298 Rueiguang Rd.,  
Neihu, Taipei, Taiwan (114)  
Tel. 886-2-26591119  
Fax. 886-2-26591060  
<http://www.lovinflame.com>

Updated 7/2019

Printed in Taiwan



Always read, understand, and follow all warnings and instructions in this manual. Keep for future reference.

## Important Safety Information

This owner's manual contains important safety information to protect yourself and others when using your Lovinflame product. Failure to follow these safety instructions and precautions can lead to property damage, serious injuries or death. Always read this entire manual before operating your Lovinflame product.



## WARNING

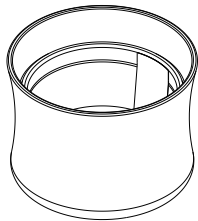
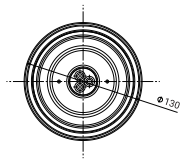
- Only use with Lovinflame Fuel according to requirements stated in the owner's manual.
- Never use alcohol, gasoline, kerosene or other flammable liquids as an alternative fuel for the product, as misuse with these alternative fuels could cause fire and result in death or serious injury.
- Do not mix Lovinflame Fuel with alcohol, gasoline, kerosene, oils, essential oils or other flammable substances.
- Do not overfill your Lovinflame product.

## Product Features

- Safe** Minimizes risks associated with flare-ups and fuel spills.
- Clean-Burning** Virtually emissions-free – emits water vapor & CO<sub>2</sub>.
- Odorless** Water-soluble fuel produces no odor or smoke while burning.
- Wind-Resistant** Flames don't blow out easily; ideal for outdoor use.
- Portable** Free-standing and can be used anywhere indoors and outdoors.
- Long-Lasting** Patented wick burns for 2000+ hrs.

## Product Specifications

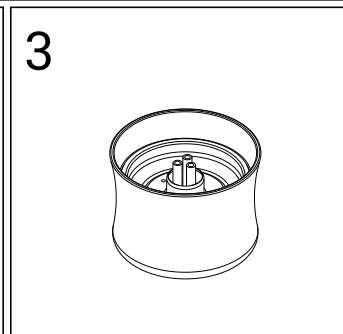
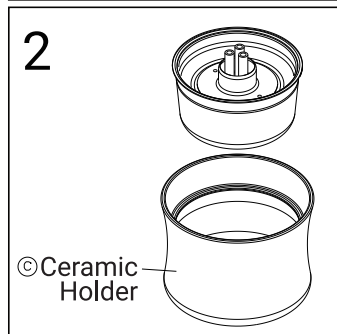
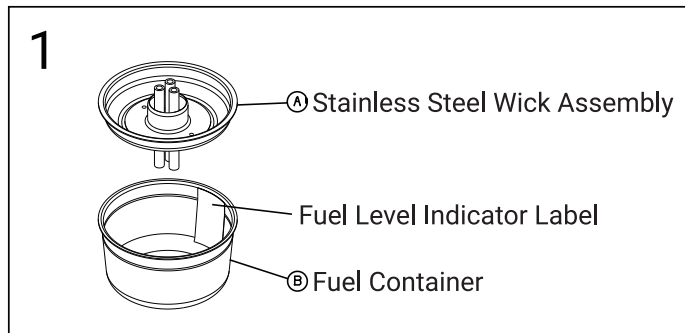
- Dimensions**  $\Phi$  130 x H 100 mm /  $\Phi$  5.12 x H 3.94 in
- Weight** 1.04 kg / 2.29 lbs
- Burn Time** 3.3 hours max. with 300ml (10.14oz)



# Assembly Instructions

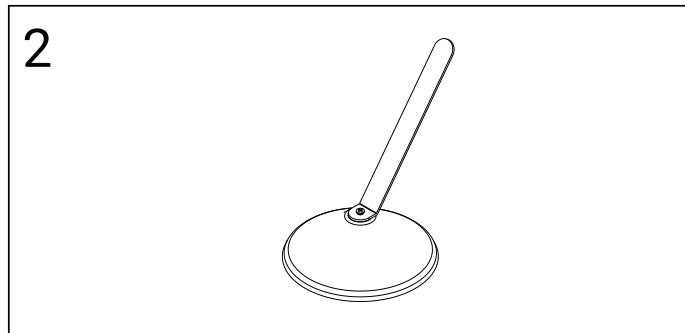
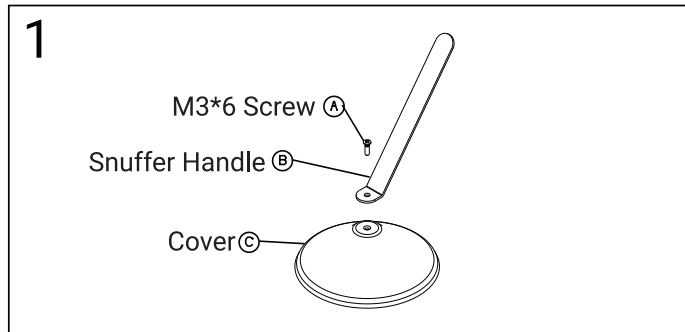
## For the ceramic candle

1. Place the stainless steel wick assembly (A) into the fuel container (B).
2. Place the integrated stainless steel wick assembly and fuel container (A+B) into the ceramic holder (C).
3. fuel container (A+B) into the ceramic holder (C).  
Assembly is now complete.



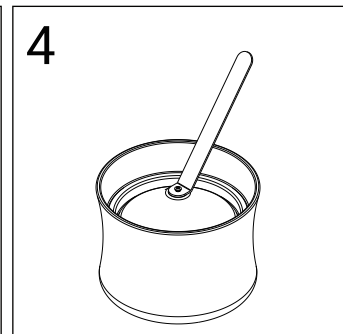
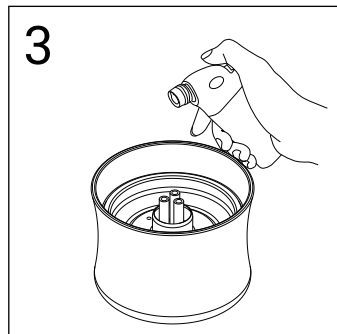
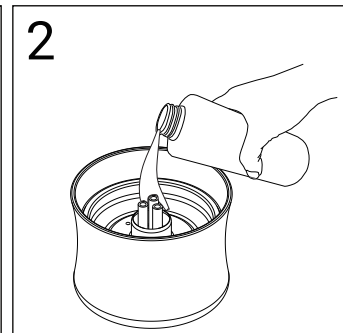
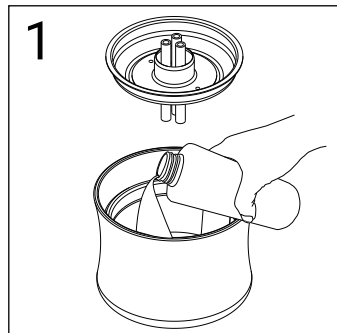
### For the snuffer

1. Assembly the snuffer by using the screw provided.  
Fasten the components together.
2. Assembly is now complete.



## Operating Instructions

- Place the fuel container inside the ceramic holder.
  - Fill the fuel container with Lovinflame Fuel to the level indicated. Be careful to never overfill the fuel container.
  - Place the stainless steel wick assembly inside the ceramic holder.
- Moisten the stainless steel wick with a small amount of Lovinflame Fuel for easy ignition. Wipe away any spilled fuel before igniting.
- Use a butane torch (not included) to ignite. It may take a few seconds to ignite.
- Use the snuffer provided to extinguish flames. Wait until the wick has cooled before removing the snuffer to prevent vapor arising from your Lovinflame product.



**⚠ CAUTION**

- Do not pour fuel into a hot or burning Lovinflame product.
- Do not ignite a hot Lovinflame product.
- Keep the burning Lovinflame product away from flammable and combustible materials such as fabrics or curtains during use.
- Only use in a well-ventilated area.
- Keep children and pets away from your Lovinflame product. Children and pets could accidentally come in contact with the flame or tip over your Lovinflame device.
- Do not burn unattended.
- Do not move your Lovinflame product while burning.
- Do not put any items on top of or over your Lovinflame product.
- Do not use water to extinguish the flame.
- Inspect for damage. If there is damage to the wick, do not use the product. If any parts are broken or damaged, do not continue using the product in order to avoid any injuries.

- Never attempt to modify your Lovinflame product.
- Do not pull, bend, or disassemble the stainless steel wick assembly to avoid damage or dangerous accidents.
- If the flames are too large or you suspect your Lovinflame product is not functioning as intended, use the snuffer to extinguish the flames and allow your Lovinflame product to cool.
- Do not touch the wick of Lovinflame product while it is still hot.
- Keep at least 6 feet (1.8 m) away from any overhead surface or ceilings.
- The fireplace requires a minimum room size of 70 m<sup>3</sup> (30 m<sup>2</sup> x H2.33m).
- After burning, ensure sufficient time for cool-down before touching or moving the product, or before refueling or reigniting.
- Avoid drafts, vents, and air currents.
- Place the Lovinflame product on a stable, heat resistant

surface.

- Keep a Class B extinguisher accessible at all times.
- Always use the snuffer. Do not blow out.
- Do not use as a nightlight.
- Do not use inside vehicles.
- Keep the fuel bottle tightly closed when not in use.
- Store the fuel in a cool, well-ventilated area away from flammable sources. Do not expose to heat or direct sunlight.
- Do not keep the used or opened bottle of the Lovinflame Fuel for too long. Although the fuel itself does not evaporate once the bottle has been opened, it may react with the air and become more difficult to ignite.
- Avoid direct inhalation of the vapor.

## Care and Maintenance

- The patented stainless steel wick can ignite the Lovinflame Fuel in just a few seconds. There are some circumstances under which it may take some time to ignite the wick:
  - First time igniting.
  - Remaining fuel on the wick reacts with moisture in the air.
  - The wick is wet from exposure to rain or water.
- Please remember to pour a small amount of Lovinflame Fuel on the wick each time you use it to make it easier to ignite.
- If using leftover fuel or the wick contains remaining fuel from previous use, some splashing and a popping noise may occur. Please maintain a distance to avoid being in contact with the splashing fuel.
- Lovinflame products are clean-burning with no odor or smoke while burning, and have no known carcinogenic emissions. However, if the burner is running low on fuel



or you have just snuffed out the fire, there may be water vapor (what you see is vapor, not smoke) and odor.

## Warranty

Includes Manufacturer's 1-Year Warranty for the whole unit and 5-Year Warranty on the stainless steel wick. Our products are guaranteed to operate under proper care and usage with our Lovinflame Fuel. Certain restrictions apply.

**L**  **VINFLAME**

 [www.lovinflame.com](http://www.lovinflame.com)

 [hello@lovinflame.com](mailto:hello@lovinflame.com)