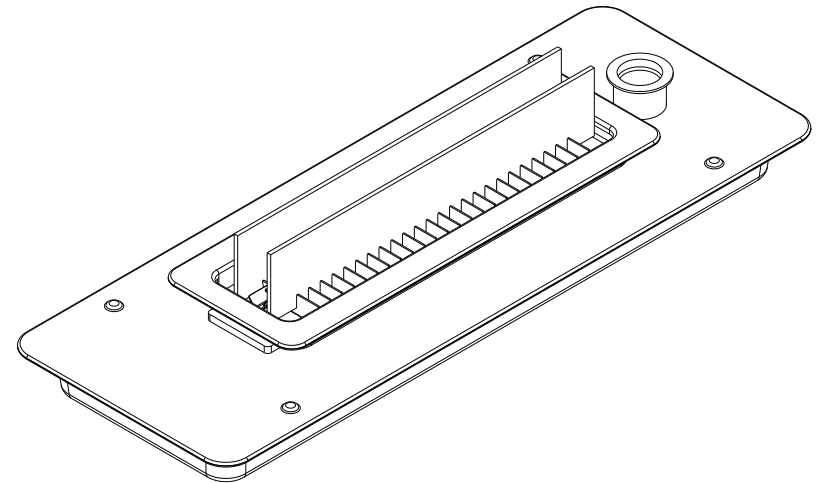


LOVINFLAME

OWNER'S MANUAL

Fireplace Burner insert

TT-240



Lovinflame, Inc.

9F, No. 298 Rueiguang Rd.,

Neihu, Taipei, Taiwan (114)

Telephone +886 2 2659 1119

Fax +886 2 2659 1060

<http://www.lovinflame.com>

Revision 9/2018

Printed in Taiwan



ALWAYS read, understand and follow all warnings and instructions in this manual. KEEP for future reference.

WARNING

FIRE and HOT SURFACE HAZARDS. For decorative use only. To prevent **SERIOUS INJURY** or **DEATH**.



- **ONLY** use Lovinflame Liquid Fuel according to requirements in Owner's Manual.



- **NEVER** use alcohol, gasoline, kerosene, oils or other flammable substances with your Lovinflame device.



- **NEVER** pour fuel into a hot or burning Lovinflame device.



- **NEVER** overfill your Lovinflame and carefully wipe away any spilled fuel before igniting.



- **NEVER** ignite a hot Lovinflame device.



- **Avoid** drafts.



- **ONLY** use in a well ventilated area.

- **KEEP** children and pets away from your Lovinflame. **Not a toy.**



- **KEEP** a Class B fire extinguisher accessible at all times.

- **DO NOT** move when burning.

Introduction

Thank you for choosing Lovinflame. This Owner's Manual is considered part of your Lovinflame. Your Lovinflame is intended for decorative use. If you have any questions or comments, please contact us by phone at +886 2 2659 1119, by e-mail hello@lovinflame.com, or go to Lovinflame.com.

Table of Contents

Product Features	3
Product Specification	3
Parts List	4
Assembly Instructions	5
Operating Instructions	7
Frequently Asked Questions	9
Storage	9
Maintenance	10
Warranty	10
Important Safety Information	11

Product Features:

- Clean burning, no odor, no soot
- Patented wind resistant design
- Patented wick system maintains a stable temperature while burning to ensure fuel in container remains below its flash point.

Product Specification:

Model Number TT-240

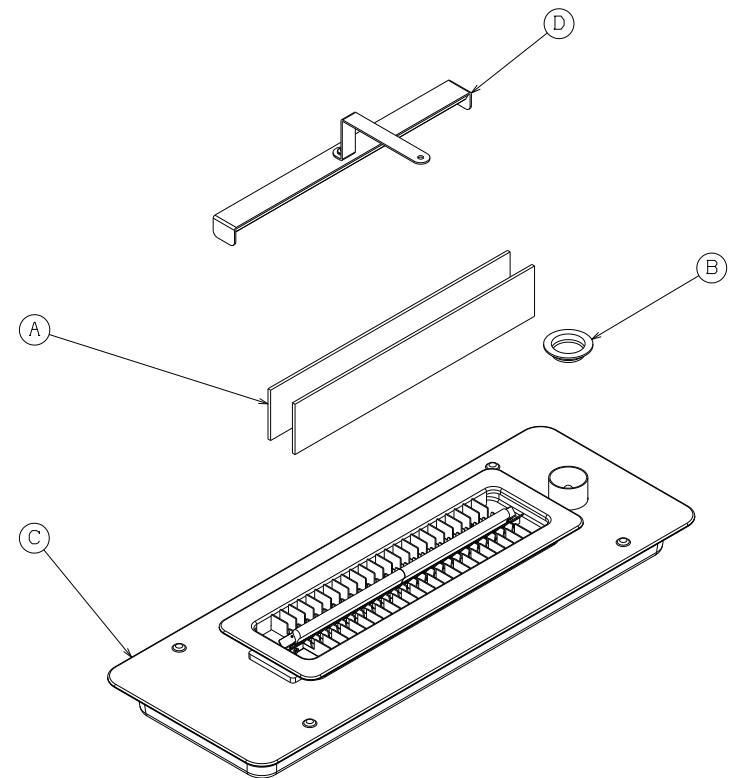
Dimensions: L515 X W195 X H100 mm or L20.27" X 7.67" X 3.93"

Burn Time: 4 hours maximum if filled with 2 liters (2000 mL).

Thermal Output: 12000 BTU/hr

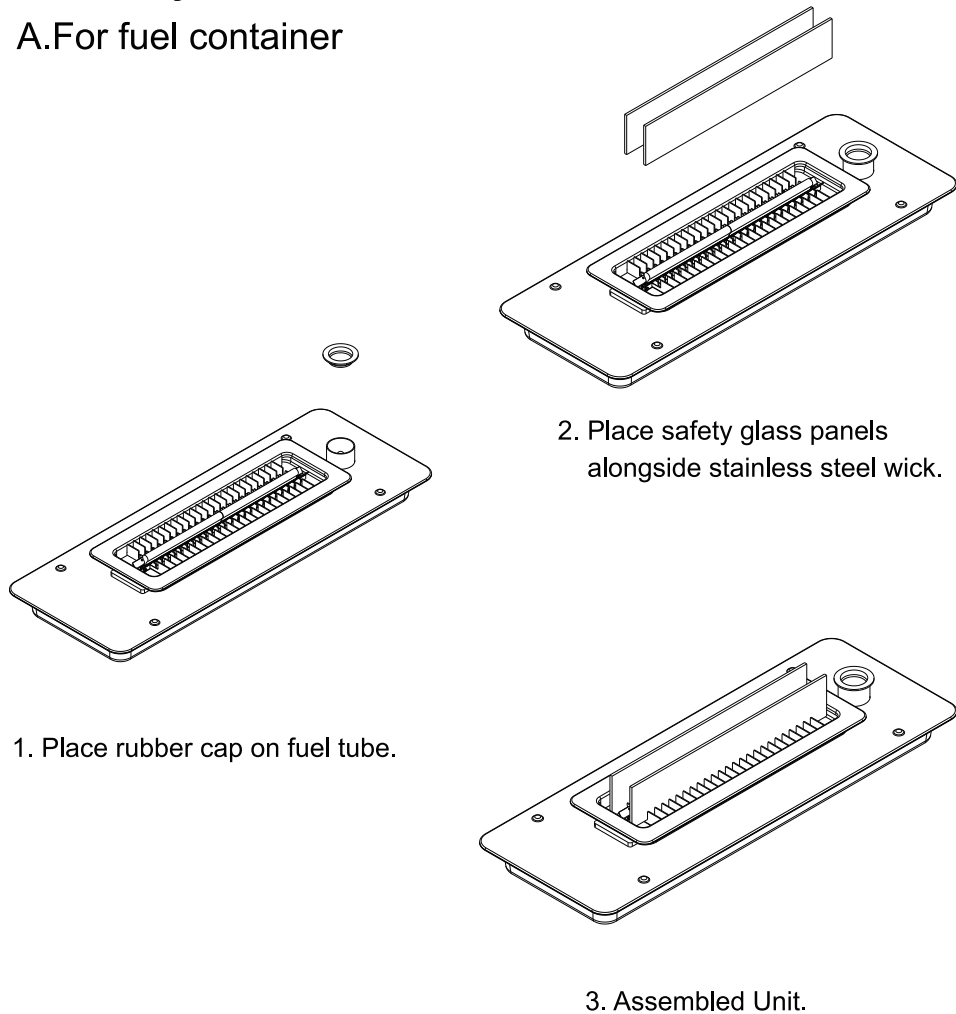
Parts List:

- A \ Safety glass panels
- B \ Rubber cap
- C \ Fuel container including wick
- D \ Snuffer

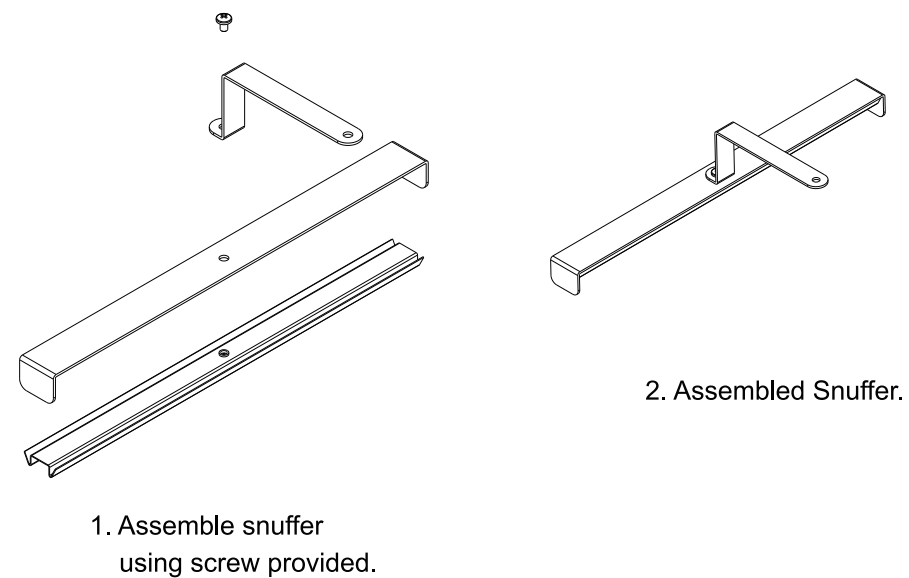


Assembly Instructions:

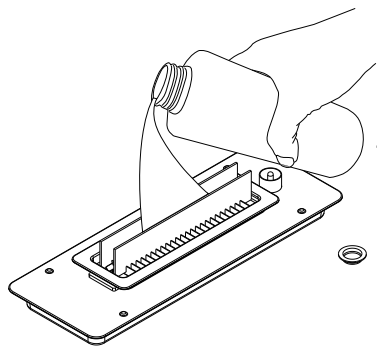
A. For fuel container



B. For Snuffer



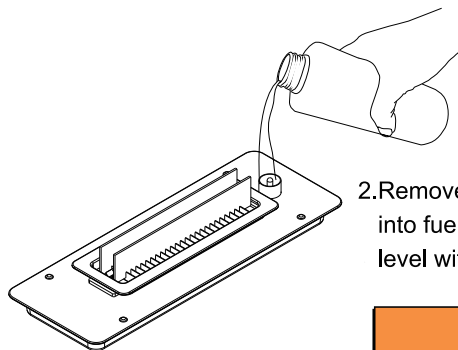
Operating Instructions:



1. Pour a small amount of Lovinflame fuel slowly on top of the stainless steel wicks to wet the wick. (Wick must be moistened to light.) Never overfill the fuel container. Carefully wipe away any spilled fuel before igniting.

⚠ WARNING

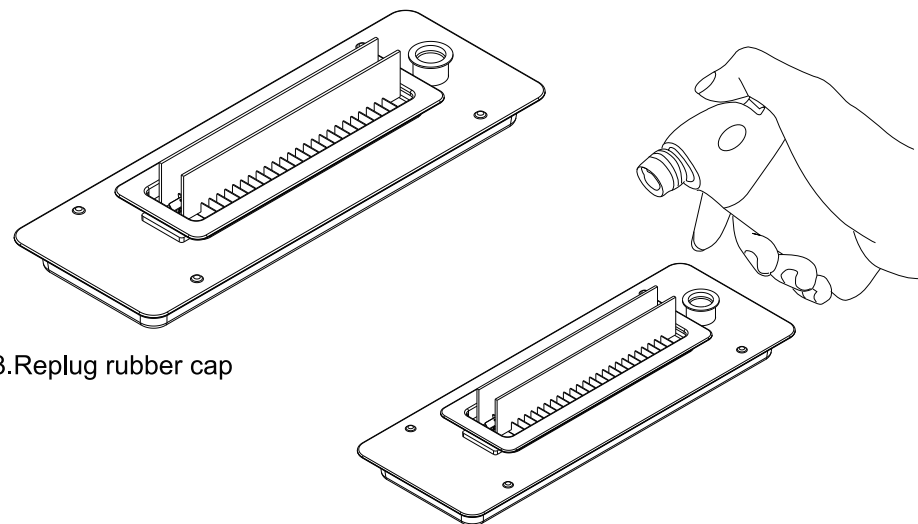
NEVER overfill your Lovinflame and carefully wipe away any spilled fuel before igniting.



2. Remove rubber cap. Pour Lovinflame fuel slowly into fuel container until the red floating device is level with top of fuel tube.

⚠ WARNING

Only use with Lovinflame fuel; use of another fuel could cause an out of control fire that could destroy property and cause serious injury or death.



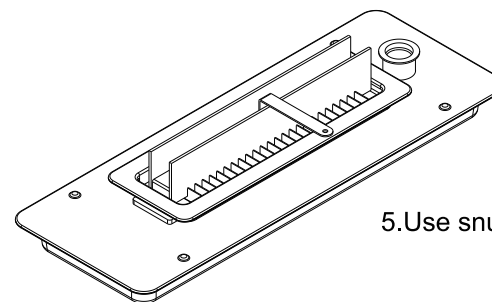
3. Replug rubber cap

4. Use butane torch style lighter (not included) to ignite. It may take more than 10 seconds to ignite. DO NOT use matches.

⚠ WARNING



HOT GLASS will cause burns. **DO NOT TOUCH** Glass until cooled. **NEVER** allow children to touch glass.



5. Use snuffer provided to extinguish flame

Frequently Asked Questions

1. Why does it take so long to ignite my Lovinflame?

Your Lovinflame may have been exposed to water, including rain.

Dispose of all remaining fuel. Refill and moisten wick with fresh Lovinflame fuel and attempt to light again using a butane torch.

2. Why is my Lovinflame making a popping noise and/or is a small amount of Lovinflame fuel splashing out of the stainless steel wicks?

If water or moisture from the air gets into the fuel, this can cause the fuel to pop and spray during use. Dispose of all remaining fuel in the product. Refill the product with Lovinflame fuel and attempt to light pursuant to the instructions herein.

3. Issues with odor or smoke

If you smell or see smokes produced during combustion, extinguish the flame and check if the fuel and the device configuration are correct.

Storage

Store indoors or in a location protected from rain or other sources of water. We suggest disposing of all Lovinflame fuel remaining in device after 5 days.

If in doubt, dispose of remaining Lovinflame fuel before next use.

To dispose of remaining fuel, pour into plastic container. Seal the container for disposal in household waste.

Maintenance

1. Cleaning glass shields that have been burned black

Flames that have not reached complete combustion cause the surrounding glass to produce carbon deposit and appear burnt black.

Solution: use water and a soft washcloth to clean the glass while at room temperature; if more cleaning is needed, use a scrub sponge and dishwashing liquid. Once cleaned, use a soft cloth to wipe the glass dry before sliding the glass back into the insert.

Warranty

5-year malfunction and factory defect warranty.

Important Safety Information

Read and Understand Owner's Manual Before Use

This owner's manual contains important safety information to protect yourself and others when using your Lovinflame device. Failure to follow these safety instructions and precautions can lead to property damage, serious injuries, or death. Always read this entire manual before operating any Lovinflame devices.

Safety Messages

WARNING

Indicates a hazardous situation that, if not avoided, could result in death or serious injury.

	Fire Hazard
	Hot Surface Harzard
	Hot Glass Hazard
	DO NOT pour fuel on fire
	DO NOT pour fuel onto hot surfaces
	AVOID drafts, vents or air currents
	DO NOT burn unattended
	Keep at least 5 feet (1.5m) away from things that catch fire
	KEEP children and pets away from your Lovinflame
	DO NOT put any items on your Lovinflame
	DO NOT use water to extinguish
	ALWAYS keep a Class B fire extinguisher accessible at all times

WARNING



FIRE and HOT SURFACE HAZARDS. Only intended for decorative use. To prevent **SERIOUS INJURY** or **DEATH**:

Before Use

- **INSPECT** for damage. If damage to stainless steel wicks, device or glass panels is found, **DO NOT** use.
- **NEVER** attempt to modify your Lovinflame.
- **ONLY** use spare parts approved by Lovinflame.
- **DO NOT** pull, bend or disassemble stainless steel wicks.

Location

- **ONLY** use in a well ventilated area. **NOT** for use in bedrooms or as a nightlight. **DO NOT** use in an enclosed space such as camper, tent or car.
- **AVOID** drafts, vents or air currents.
- **PLACE** Lovinflame device on stable, heat resistant surface. Please be sure the wall / table / floor can bear the weight of your Lovinflame.
- **NEVER** place your Lovinflame on or near anything that can catch fire, including fabric or curtains. Keep at least 5 feet (1.5m) away from things that catch fire.



WARNING

Use of ANY other type of fuel can result in **SERIOUS INJURY** or **DEATH**.

- **NEVER** use alcohol, gasoline, kerosene, oils or other flammable substances with your Lovinflame device.
- **DO NOT** mix Lovinflame Liquid Fuel with alcohol, gasoline, kerosene, oils or other flammable substances.

- **Keep fuel bottle tightly closed when not in use.**
Store fuel in a cool, well-ventilated area away from sources of ignition. DO NOT expose to heat or direct sunlight.
- **NOT** for continuous use. Not intended to be used as a heat generating device.
- **MOISTEN** wick with fresh fuel.
- **USE** butane torch (not included) to ignite. It may take more than 10 seconds to ignite. **DO NOT** use matches.
- You should burn all of the fuel each time you use your Lovinflame. Remaining fuel does not evaporate and may react with air and be difficult to ignite.
- **KEEP** a Class B fire extinguisher accessible at all times.

Before Lighting

- **ONLY** use Lovinflame Liquid Fuel.

While Lit



- **DO NOT** pour fuel into fire.
- **DO NOT** pour fuel onto hot surfaces.



- **Burn within sight.**
ALWAYS remain within line of sight while burning Lovinflame. Extinguish Lovinflame before leaving room.



- **Keep away from things that catch fire.**
NEVER place your Lovinflame on or near anything that can catch fire, including fabric or curtains.



- **Keep away from children and pets.**
Children and pets could accidentally come in contact with the flame or tip over your Lovinflame device.



- **NEVER** put anything on top of or over your Lovinflame device.



- **DO NOT** use Lovinflame to cook food.
- **If the flame is too large or you suspect your Lovinflame is not functioning as intended, use snuffer to extinguish and allow Lovinflame to cool.**



- **DO NOT** extinguish the flame with water.
- **DO NOT** move when burning.

After Use

- **ALWAYS** use snuffer. **DO NOT** blow out.
- **DO NOT** extinguish with water.
- **ALWAYS** allow to cool before refueling, relighting, touching or moving.
- **DO NOT** ignite if your Lovinflame still hot.
- **DISPOSE** of all Lovinflame fuel remaining in device after 5 days.

If in doubt, dispose of remaining Lovinflame fuel before next use. Burning leftover fuel may result in small amounts of splashing and a popping noise. To dispose of remaining fuel, pour into plastic container. Seal the container for disposal in household waste.

L  VINFLAME