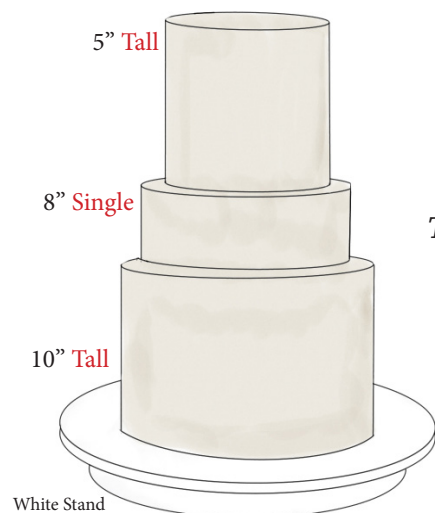


MICHAEL ANGELO'S
TALL ROUND TIER CAKE MENU

10" TALL x 8" SINGLE x 5" TALL CUSTOM ROUND

Serves 60-80 Guests

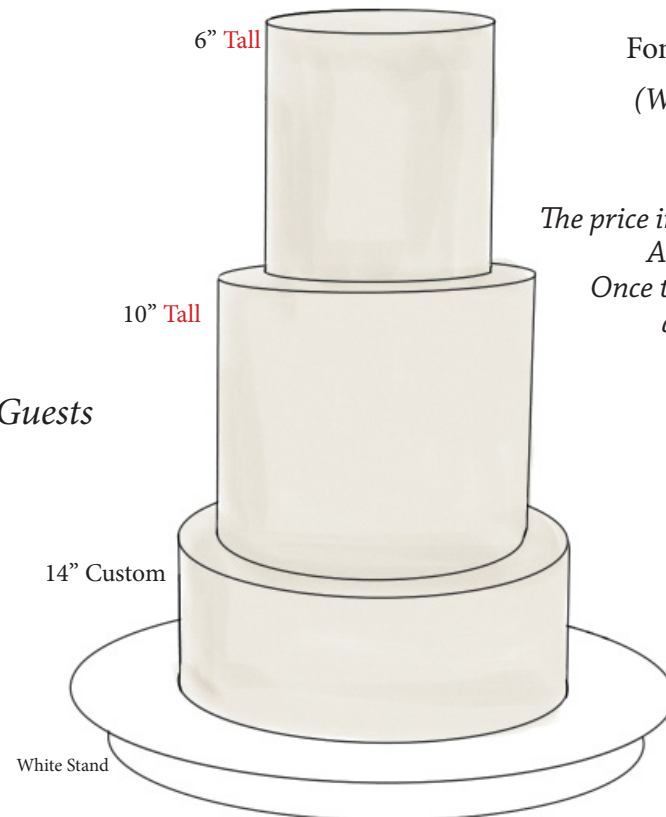


Fondant On All Tiers
 (2 Tiers With Specialty Filling)
\$350

*The price includes the use of the white stand.
 A \$100 deposit is required.
 Once the stand is returned the \$100
 deposit will be refunded.*

14" CUSTOM x 10" TALL x 6" TALL CUSTOM ROUND

Serves 145-165 Guests

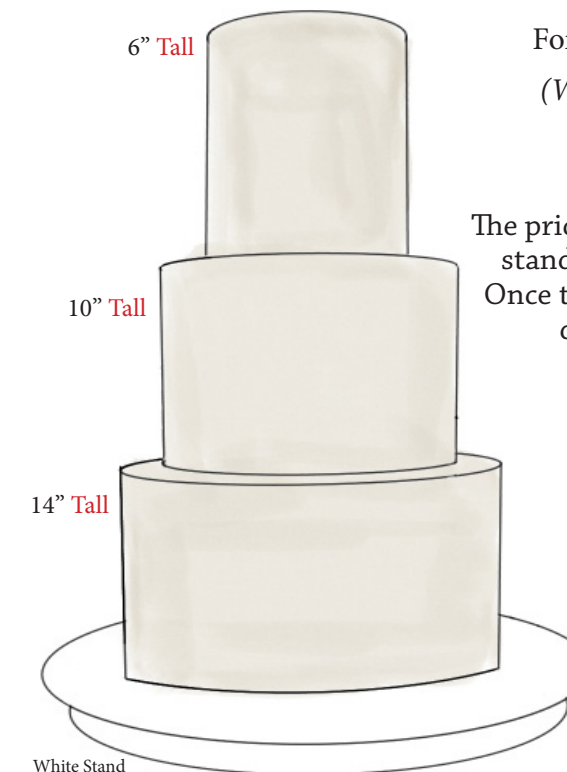


Fondant On All Tiers
 (With Specialty Filling)
\$675

*The price includes the use of the white stand.
 A \$100 deposit is required.
 Once the stand is returned the \$100
 deposit will be refunded.*

14" TALL x 10" TALL x 6" TALL CUSTOM ROUND

Serves 185-200 Guests

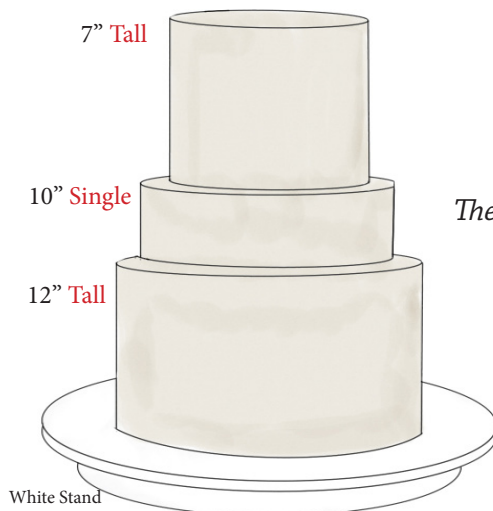


Fondant On All Tiers
 (With Specialty Filling)
\$850

*The price includes the use of the white
 stand. A \$100 deposit is required.
 Once the stand is returned the \$100
 deposit will be refunded.*

12" TALL x 10" SINGLE x 7" TALL CUSTOM ROUND

Serves 100-110 Guests

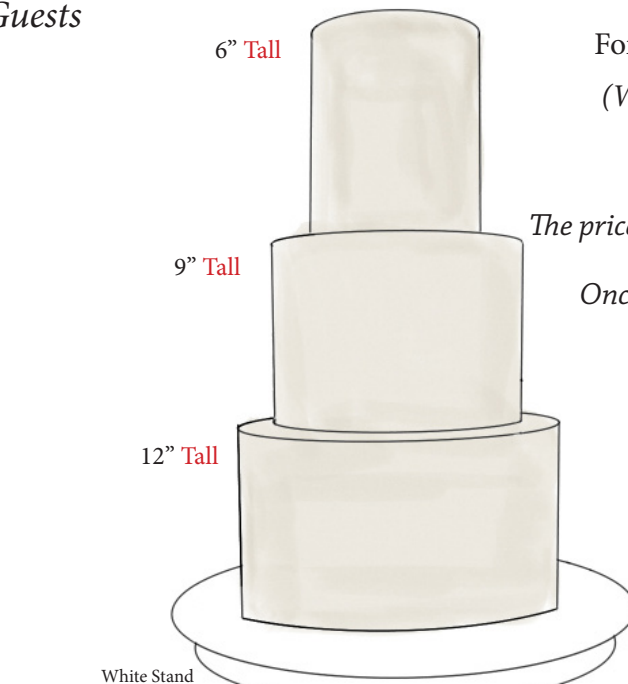


Fondant On All Tiers
 (2 Tiers With Specialty Filling)
\$450

*The price includes the use of the white stand.
 A \$100 deposit is required.
 Once the stand is returned the \$100
 deposit will be refunded.*

12" TALL x 9" TALL x 6" TALL CUSTOM ROUND

Serves 145-165 Guests

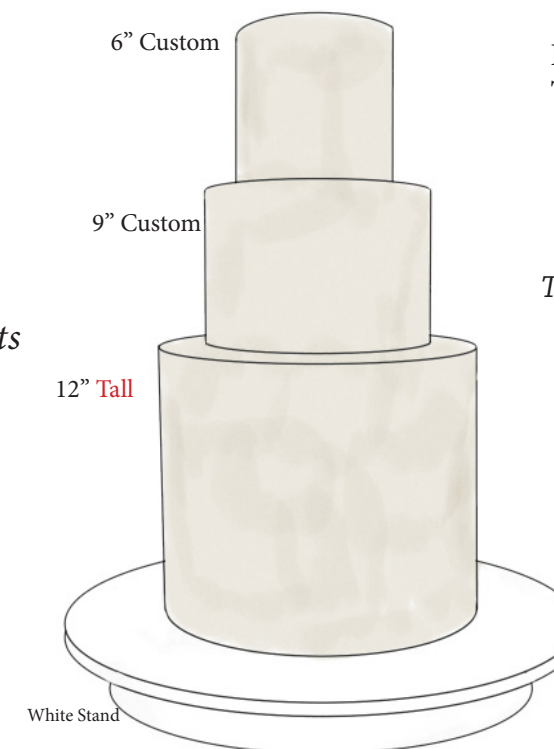


Fondant On All Tiers
 (With Specialty Filling)
\$675

*The price includes the use of the white stand.
 A \$100 deposit is required.
 Once the stand is returned the \$100
 deposit will be refunded.*

12" TALL x 9" CUSTOM x 6" CUSTOM ROUND

Serves 110-120 Guests

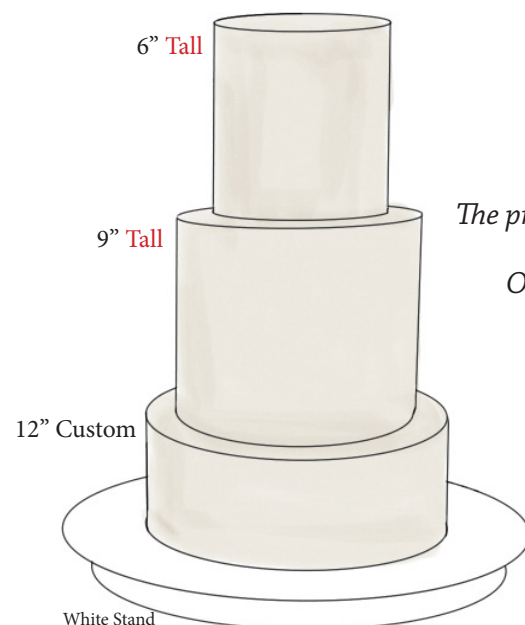


Fondant On Tall Tier Only	Fondant On All Tiers
(2 Tiers With Specialty Filling)	
\$500	\$550

*The price includes the use of the white stand.
 A \$100 deposit is required.
 Once the stand is returned the \$100
 deposit will be refunded.*

12" CUSTOM x 9" TALL x 6" TALL CUSTOM ROUND

Serves 110-120 Guests



Fondant On All Tiers
 (With Specialty Filling)
\$550

*The price includes the use of the white stand.
 A \$100 deposit is required.
 Once the stand is returned the \$100
 deposit will be refunded.*

This menu includes cakes that serve 70 - 200 Guests