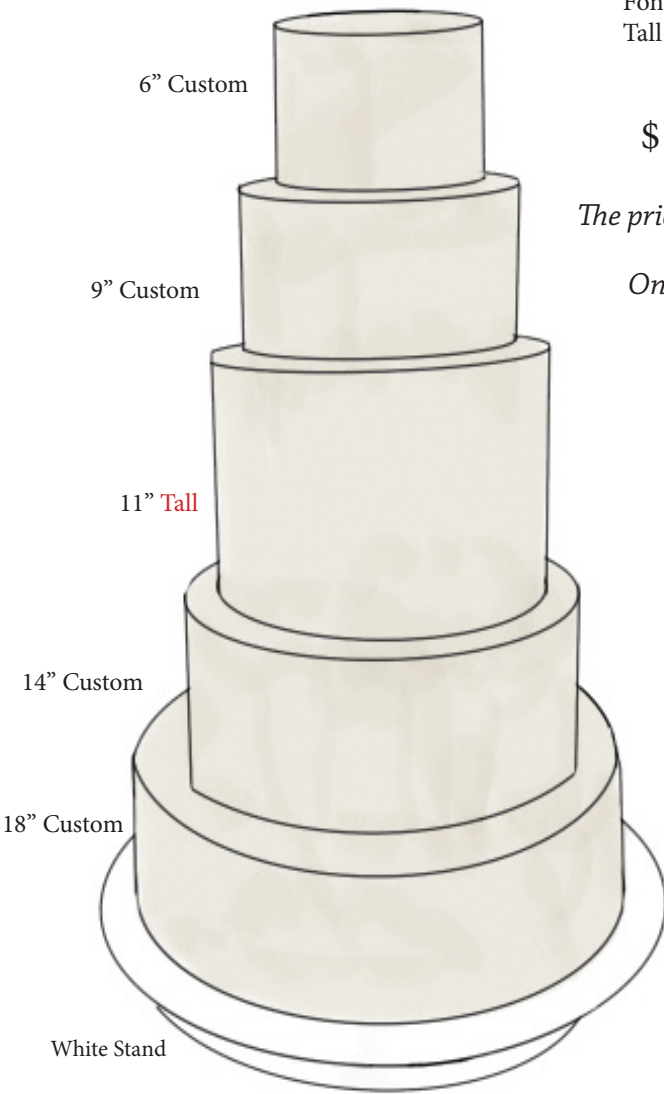


MICHAEL ANGELO'S  
**FOUR & FIVE-TIER CAKE MENU**

18" CUSTOM x 14" CUSTOM x 11" TALL x 9" CUSTOM x 6" CUSTOM ROUND

Fondant On Tall Tier Only	Fondant On All Tiers	<i>Serves 290-325 Guests</i>
<i>(With Specialty Filling)</i>		
\$1,200	\$1,350	

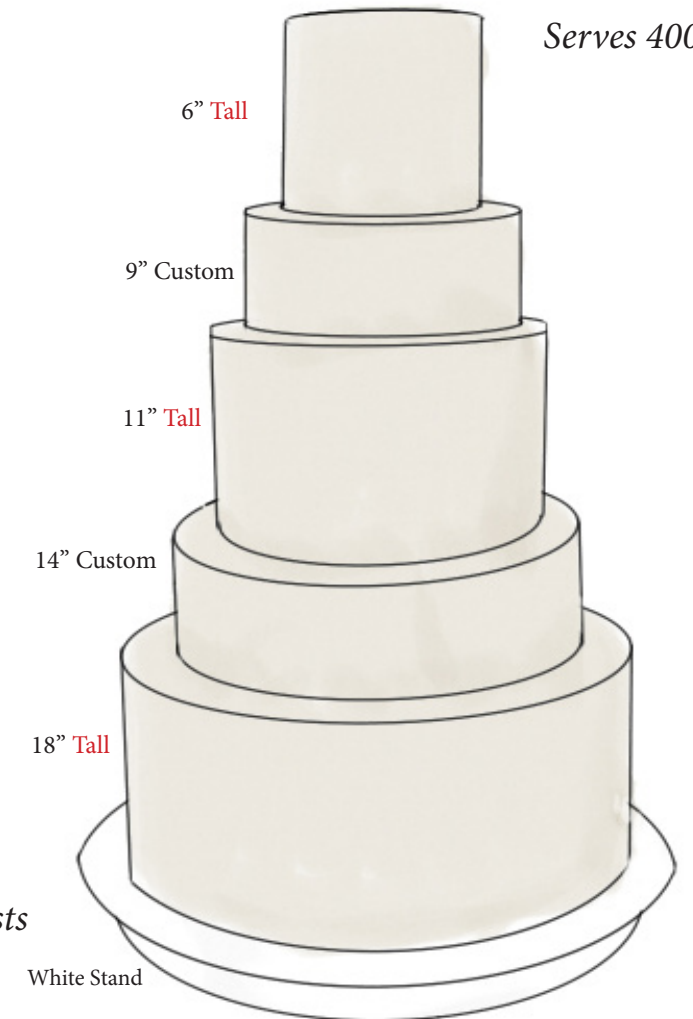
*The price includes the use of the white stand.  
 A \$100 deposit is required.  
 Once the stand is returned the \$100  
 deposit will be refunded.*



18" TALL x 14" CUSTOM x 11" TALL x 9" CUSTOM x 6" TALL CUSTOM ROUND

Fondant On Tall Tier Only	Fondant On All Tiers	<i>Serves 400-450 Guests</i>
<i>(With Specialty Filling)</i>		
\$1,550	\$1,650	

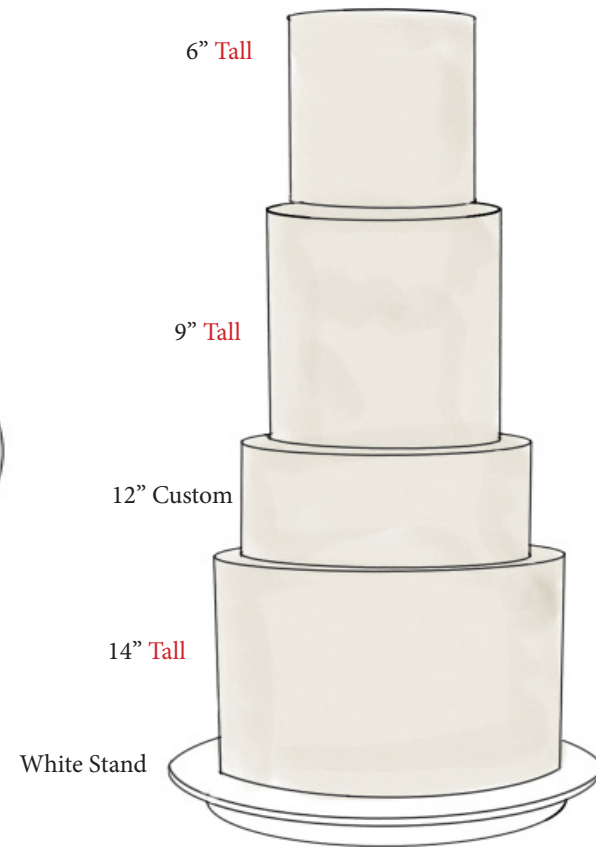
*The price includes the use of the white stand.  
 A \$100 deposit is required.  
 Once the stand is returned the \$100  
 deposit will be refunded.*



14" TALL x 12" CUSTOM x 9" TALL x 6" TALL CUSTOM ROUND

Fondant On Tall Tier Only	Fondant On All Tiers	<i>Serves 215-240 Guests</i>
<i>(With Specialty Filling)</i>		
\$1,000	\$1,025	

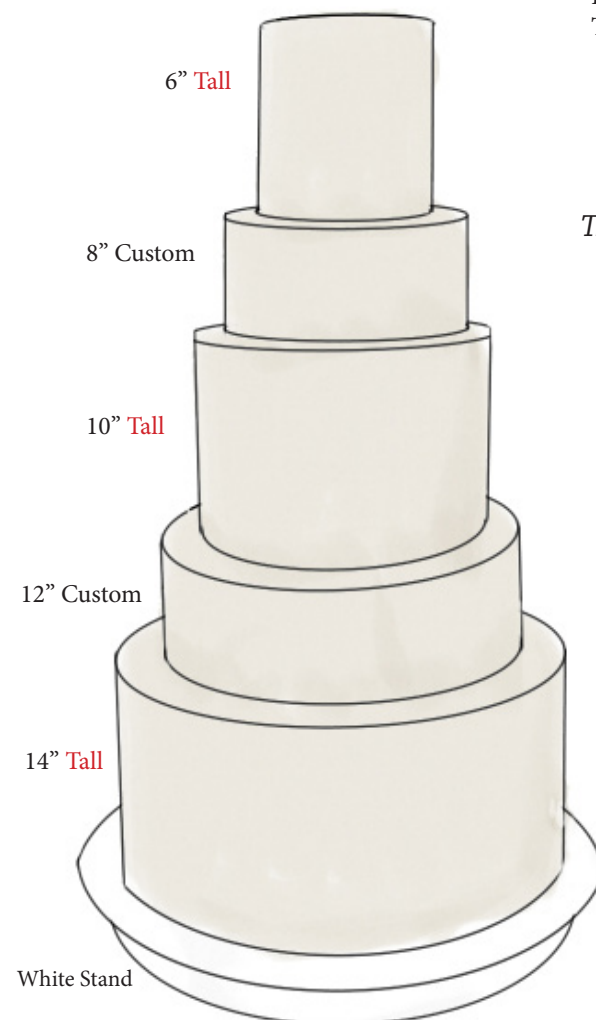
*The price includes the use of the white stand.  
 A \$100 deposit is required.  
 Once the stand is returned the \$100  
 deposit will be refunded.*



14" TALL x 12" CUSTOM x 10" TALL x 8" CUSTOM x 6" TALL CUSTOM ROUND

Fondant On Tall Tier Only	Fondant On All Tiers	<i>Serves 260-285 Guests</i>
<i>(With Specialty Filling)</i>		
\$1,250	\$1,300	

*The price includes the use of the white stand.  
 A \$100 deposit is required.  
 Once the stand is returned the \$100  
 deposit will be refunded.*



**FYI**

Taller tiers are a new way to bring more creativity to your cakes. Tall tiers have to be fondant icing because each tall tier has a separation in the middle that gives the cake the support it needs to stand. Having the fondant on there allows you to have all the options for decorations such as a damask pattern, gold painting, gumpaste flowers, and any more.

Taller tiers require fondant, the regular sized and single tiers can be buttercream icing. The combo of buttercream and fondant icings on different tiers looks better when you texture the buttercream iced cake.

Gold painting, damask patterns, ornate swirls along with gum paste flowers or bows are extra and can be added to the cake design for an additional price.

*This menu includes cakes that serve 215 - 500 Guests*