

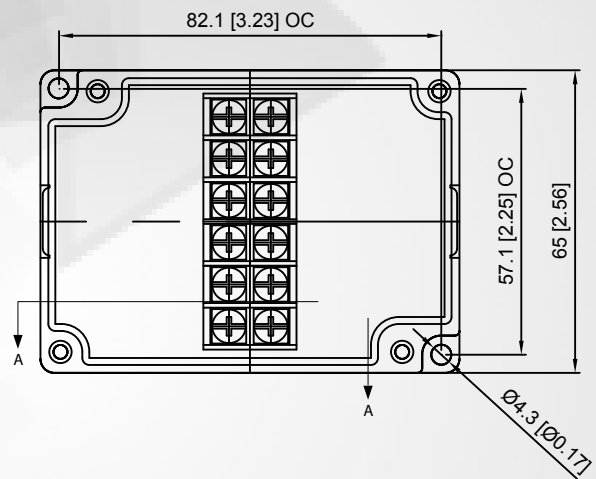
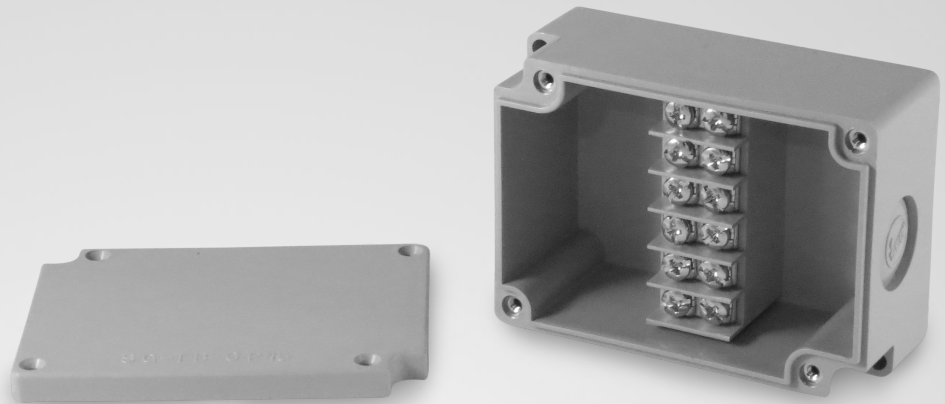
### Applications

Industrial Machinery  
Robotics  
Commercial Wiring  
Low Voltage Control System  
Solar Industry

### Specifications

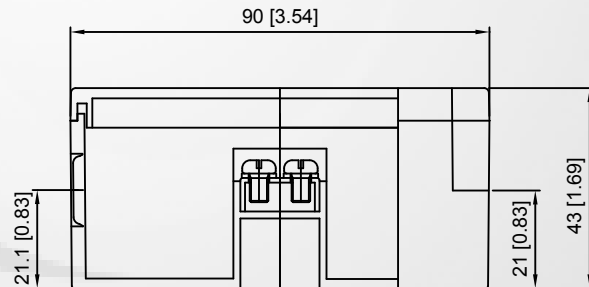
#### Mechanical

Length: 3.543 in (90 mm)  
Width: 2.559 in (65 mm)  
Height: 1.772 in (45 mm)  
Weight: 0.29 lb (135 g)  
Material: ABS Base & Cover  
Connection Capacity:  
14 - 20 AWG(0.5 - 2.5mm<sup>2</sup>)  
Wire Entry: Molded Knock Outs  
Entry Opening: 5/8 in (15.6mm)  
Trade Size: 1/4 NPT  
Neoprene Gasket In Cover  
Mounting Hardware:  
(2) PH - M4 x 30 with Hex Nut



#### Electrical

Input Current: 15 Amperes  
Rated Frequency: 60 Hz  
Rated Input Voltage: 120 Volts  
#6 Screw Terminal  
Terminations: 12 / Circuits: 6



SECTION A - A  
SHOWN WITH COVER

#### Safety

Certifying Agency: TUV-SUD  
Countries: Canada, USA  
Standards: UL 508A  
Ingress protection: IP65\*  
\*When IP65 or Higher Rated Cable Gland is used

### Compatible Accessories



SG-BB-15 (Blue)



DS-PG-13.5 (Grey)  
DS-PG-13.5BLK (Black)