

Applications

Industrial Machinery
Robotics
Commercial Wiring
Low Voltage Control System
Solar Industry

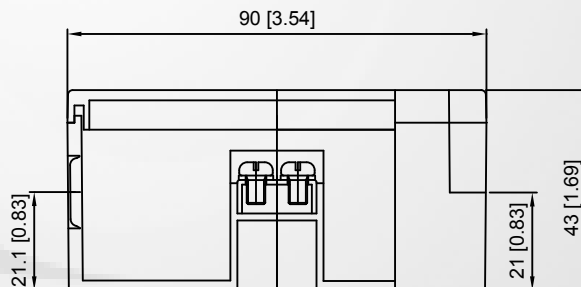
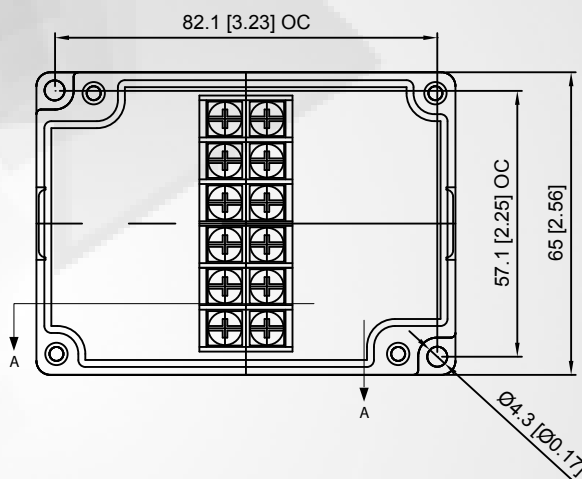
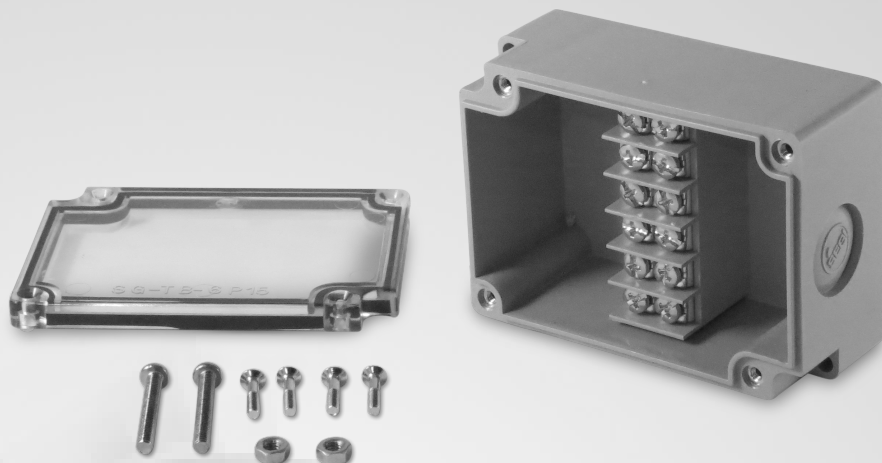
Specifications

Mechanical

Length: 3.543 in (90 mm)
Width: 2.559 in (65 mm)
Height: 1.772 in (45 mm)
Weight: 0.29 lb (135 g)
Material: ABS Base & Polycarbonate Cover
Connection Capacity:
14 - 20 AWG(0.5 - 2.5mm²)
Wire Entry: Molded Knock Outs
Entry Opening: 5/8 in (15.6mm)
Trade Size: 1/4 NPT
Neoprene Gasket In Cover
Mounting Hardware:
(2) PH - M4 x 30 with Hex Nut

Electrical

Input Current: 15 Amperes
Rated Frequency: 60 Hz
Rated Input Voltage: 120 Volts
#6 Screw Terminal
Terminations: 12 / Circuits: 6



SECTION A - A
SHOWN WITH COVER

Safety

Certifying Agency: TUV-SUD
Countries: Canada, USA
Standards: UL 508A
Ingress protection: IP65*
*When IP65 or Higher Rated Cable Gland is used

Compatible Accessories



SG-BB-15 (Blue)



DS-PG-13.5 (Grey)
DS-PG-13.5BLK (Black)