

Applications

Industrial Machinery
Robotics
Commercial Wiring
Low Voltage Control System
Solar Industry

Specifications

Mechanical

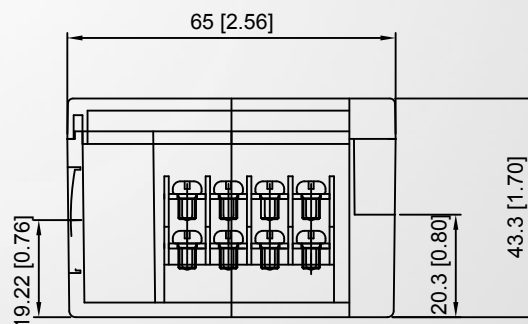
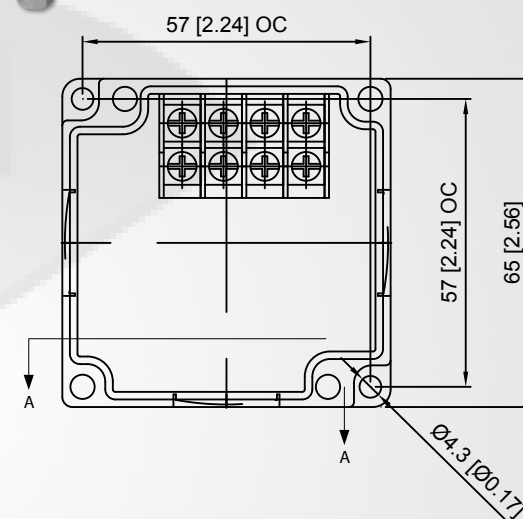
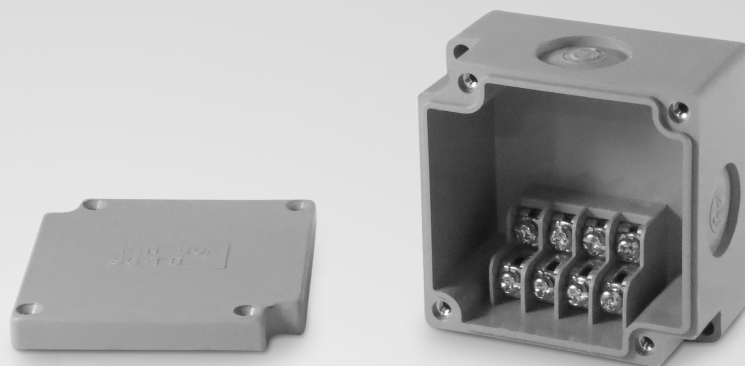
Length: 2.559 in (65 mm)
Width: 2.559 in (65 mm)
Height: 1.772 in (45 mm)
Weight: 0.22 lb (99 g)
Material: ABS Base & Cover
Connection Capacity:
14 - 20 AWG(0.5 - 2.5mm²)
Wire Entry: Molded Knock Outs
Entry Opening: 13/16 in (20mm)
Trade Size: 1/2 NPT
Neopreme Gasket In Cover
Mounting Hardware:
(2) PH - M4 x 30 with Hex Nut

Electrical

Input Current: 15 Amperes
Rated Frequency: 60 Hz
Rated Input Voltage: 120 Volts
#6 Screw Terminal
Terminations: 8 / Circuits: 4

Safety

Certifying Agency: TUV-SUD
Countries: Canada, USA
Standards: UL 508A
Ingress protection: IP65*
*When IP65 or Higher Rated Cable Gland is used



SECTION A - A
SHOWN WITH COVER

Compatible Accessories



SG-BB-10 (Red)



DS-PG-13.5 (Grey)
DS-PG-13.5BLK (Black)