

4

3

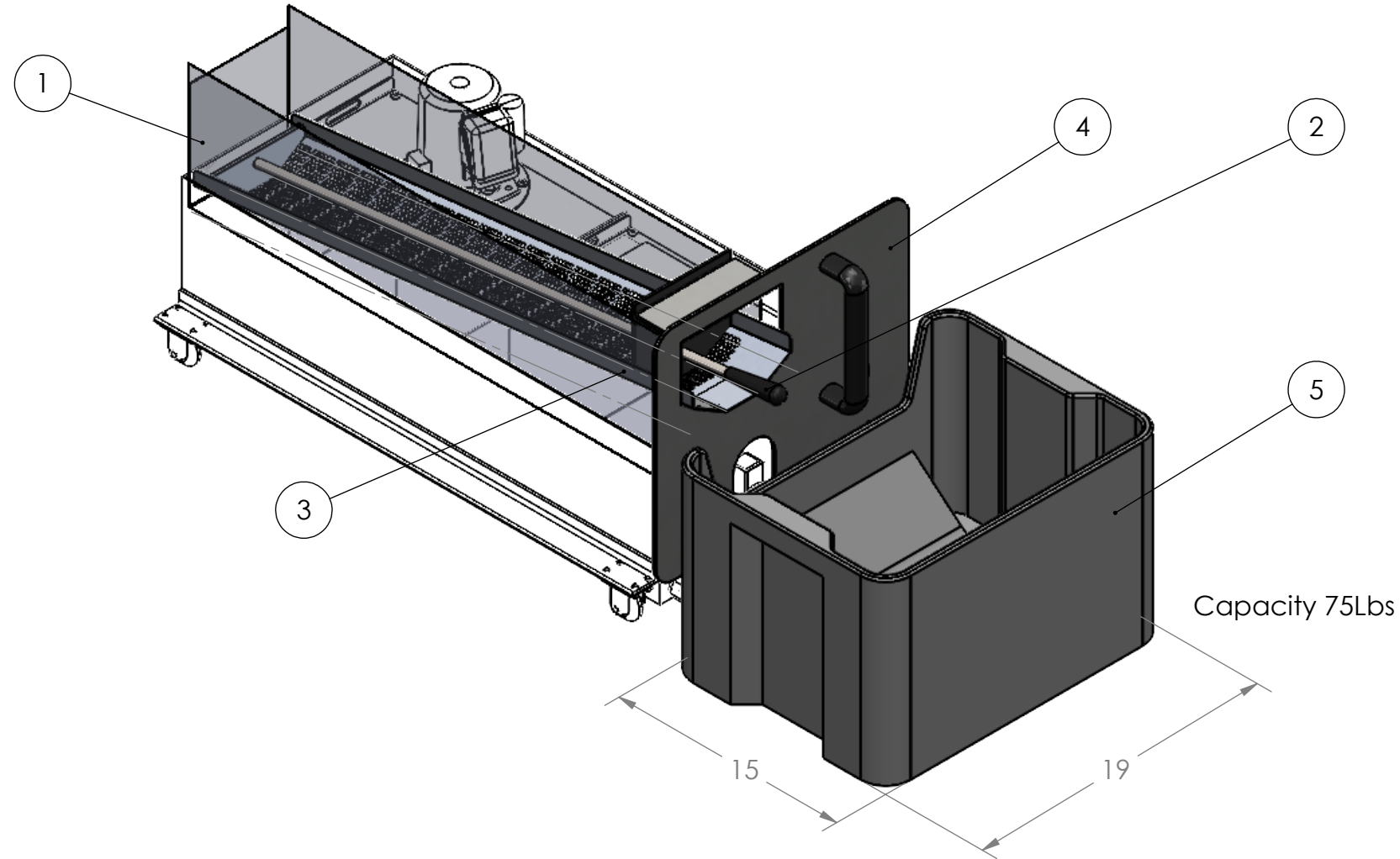
2

1

	PN	DESC	QTY
1	-	TORMACH CHIP BIN	-
2	LC22000023	TRAY WIPER ASSY.	1
3	LC22000013	HV CHIP TRAY	1
4	LC22000021	FACEPLATE ASSY.	1
5	LC22000022	CHIP COLLECTION BIN	1

KIT INCLUDES ONE OF EACH OF THE FOLLOWING

- HIGH VOLUME COOLANT TRAY
- CHIP WIPER ASSEMBLY
- FACEPLATE WITH RUBBER SPLASH GUARD
- CHIP COLLECTION BIN



Works with Tormach Series 770M, 1100M and MX models

Tormach is a registered trademark of Tormach Inc Madison, WI
Modifying your machine may void the warrenty. Lite Cycle and its employees are not resopsable for any destruction caused in the process of modifying the chip bin on the machine.

When working with machinery and cutting tools always wear proper personal protection recommended by the equipment manufacaturer.

LITE CYCLE LLC

TITLE:
Cut Template for Bin

PROPRIETARY AND CONFIDENTIAL
THE INFORMATION CONTAINED IN THIS DRAWING IS THE SOLE PROPERTY OF LITE CYCLE LLC. ANY REPRODUCTION IN PART OR AS A WHOLE WITHOUT THE WRITTEN PERMISSION OF LITE CYCLE LLC IS PROHIBITED.

SIZE	DWG. NO.	REV
B	LC22000011	A
SCALE: 1:12 WEIGHT:		SHEET 1 OF 4

4

3

2

1

B

B

A

A

4

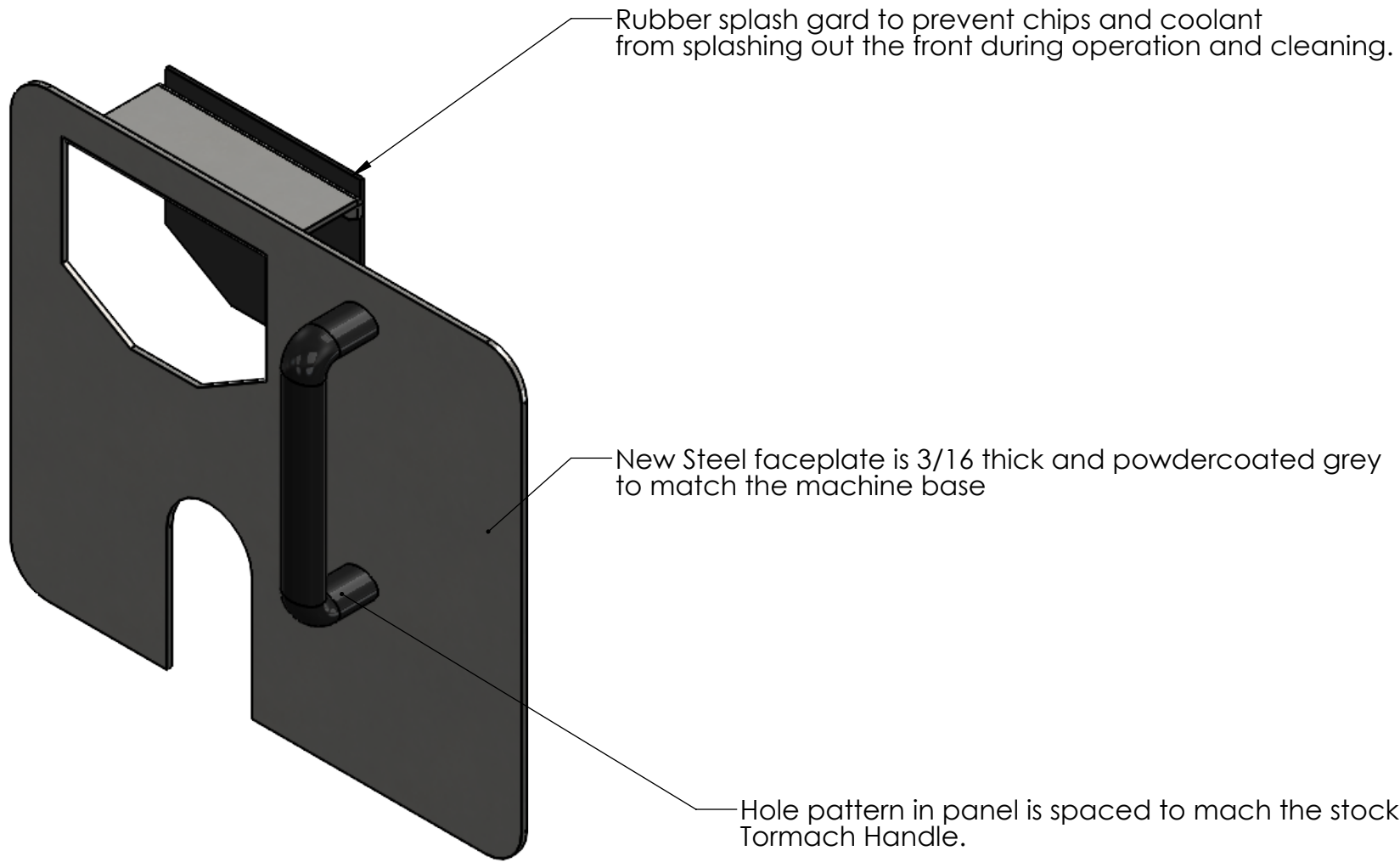
3

2

1

B

B



A

A

Tormach is a registered trademark of Tormach Inc Madison, WI

LITE CYCLE LLC		
TITLE: Front Panel Assembly		
SIZE B	DWG. NO. LC22000011	REV A
SCALE: 1:4	WEIGHT:	SHEET 2 OF 4

PROPRIETARY AND CONFIDENTIAL
 THE INFORMATION CONTAINED IN THIS DRAWING IS THE SOLE PROPERTY OF LITE CYCLE LLC. ANY REPRODUCTION IN PART OR AS A WHOLE WITHOUT THE WRITTEN PERMISSION OF LITE CYCLE LLC IS PROHIBITED.

4

3

2

1

4

3

2

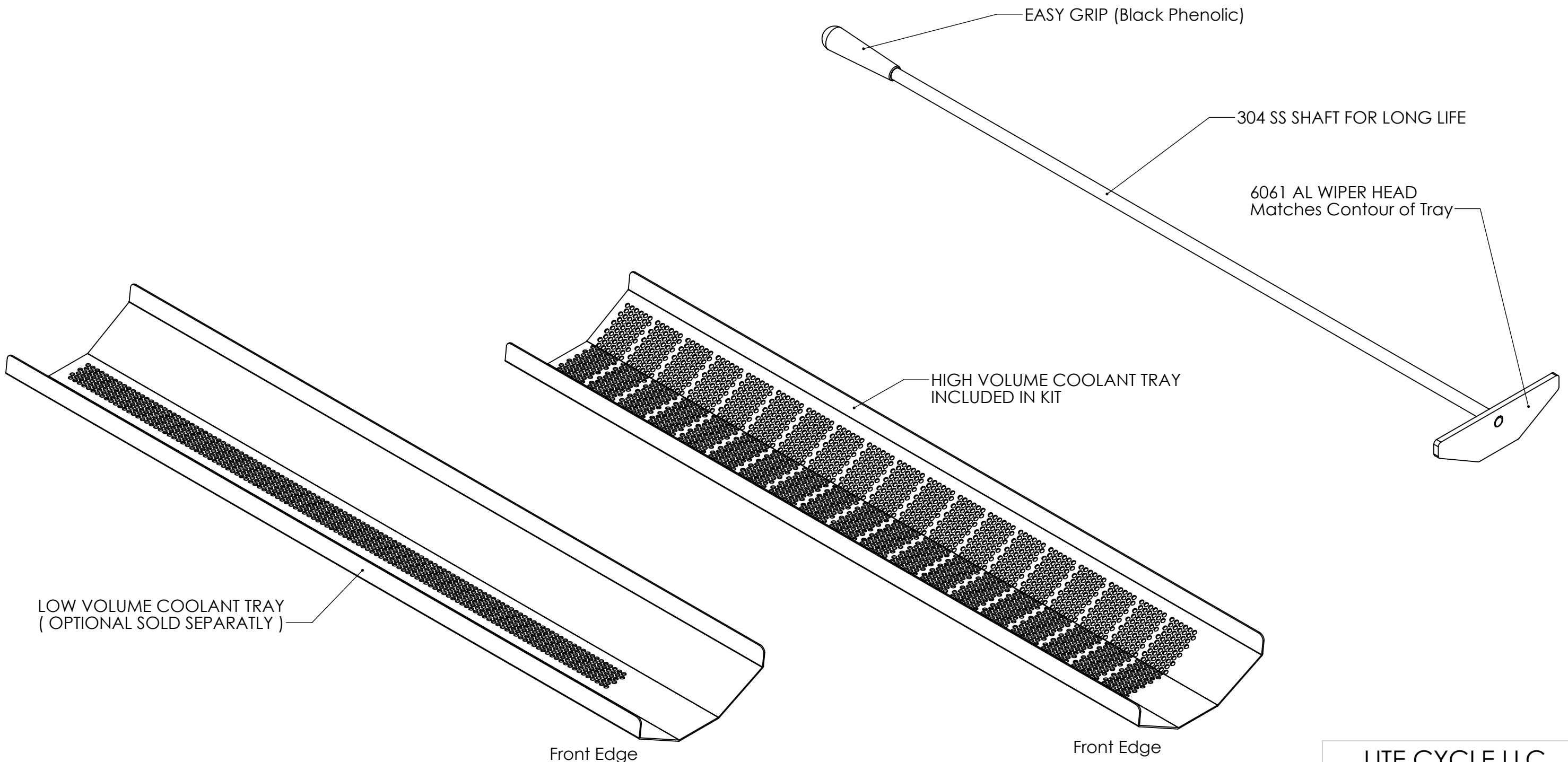
1

B

B

A

A



PROPRIETARY AND CONFIDENTIAL
 THE INFORMATION CONTAINED IN THIS
 DRAWING IS THE SOLE PROPERTY OF
 LITE CYCLE LLC. ANY REPRODUCTION
 IN PART OR AS A WHOLE WITHOUT
 THE WRITTEN PERMISSION OF
 LITE CYCLE LLC IS PROHIBITED.

LITE CYCLE LLC		
TITLE: Chip Wiper Assy. & Tray Options		
SIZE B	DWG. NO. LC22000011	REV A
SCALE: 1:8	WEIGHT:	SHEET 3 OF 4

4

3

2

1