



PARTS CATALOG

APBA CLASS "A" RACING MOTOR

United States of America

OMC Parts & Accessories
P.O. Box 718
3225 N. Prairie Avenue
Beloit, Wisconsin 53511
608/364-3333

Canada

Outboard Marine Corporation of Canada, Ltd.
910 Monaghan Road
Peterborough, Ontario, Canada
K9J7B6 (postal code)
705/876-2699

Caribbean, Mexico, Central America, South America

Outboard Marine International, Inc.
75 N.E. 179th Street
Miami, Florida 33162 U.S.A.
305/652-2311

Europe, Middle East, Africa

Outboard Marine Belgium, N.V.
Pathoekeweg 120
8000 Brugge, Belgium
050/31.51.87

Australia, New Zealand, Southwest Pacific

Outboard Marine Australia Pty. Ltd.
84 Canterbury Road
Bankstown, New South Wales
Australia, Sydney 70-0701

Bangladesh, Brunei, Burma, Guam, Hong Kong, India, Indonesia, Japan, Korea, Macau, Malaysia, Maldives, Micronesia, Pakistan, People's Republic of China, Philippines, Singapore, Sri Lanka, Taiwan, Thailand

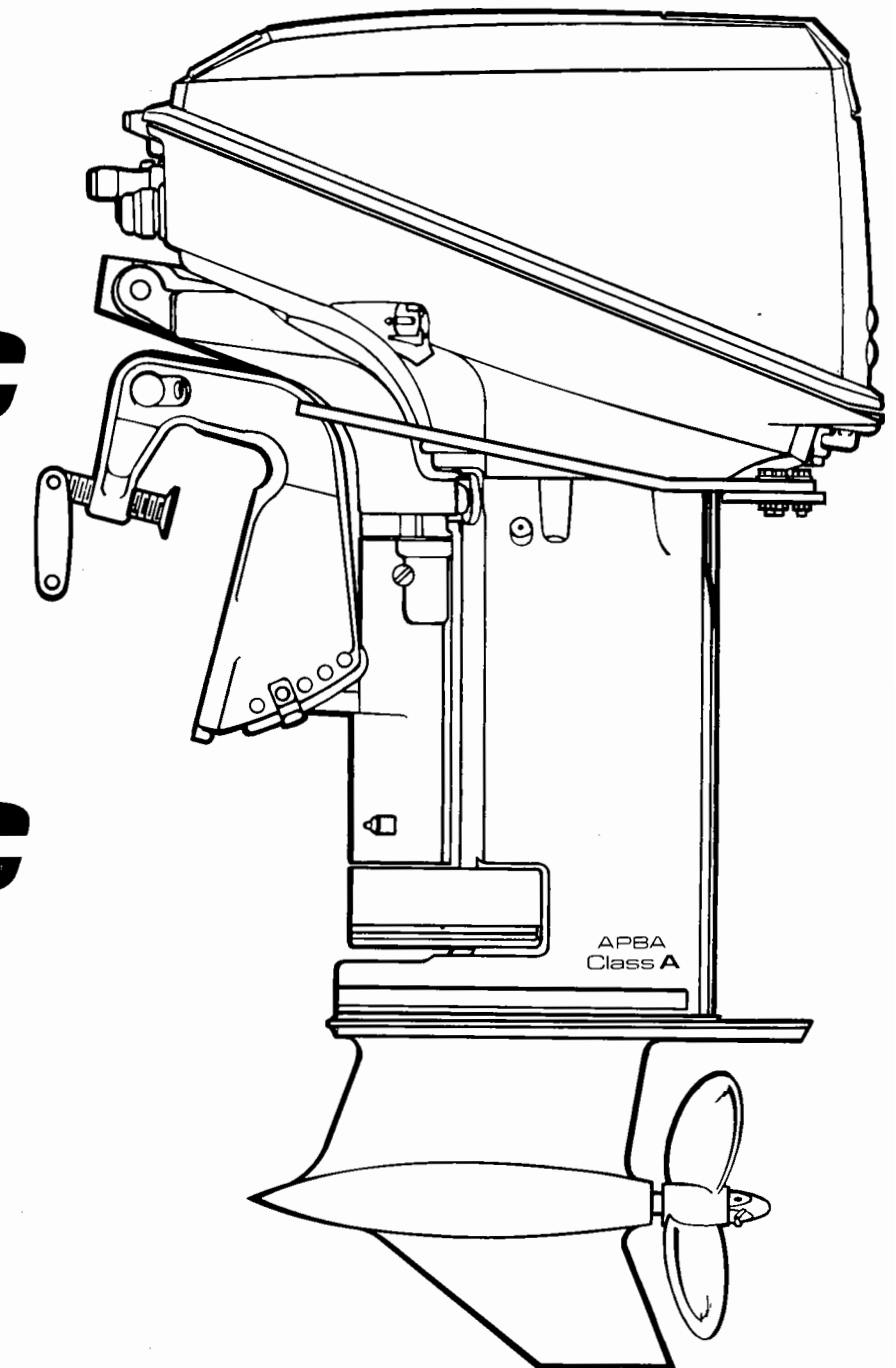
Outboard Marine Asia, Ltd.
T.Y.T.L. 54
Tsing Yi Island, New Territories
Hong Kong



EKT-11C



JKT-11C



△ Note WHEN REPLACEMENT PARTS ARE REQUIRED, USE GENUINE OMC PARTS OR PARTS WITH EQUIVALENT CHARACTERISTICS INCLUDING TYPE, STRENGTH, AND MATERIAL. FAILURE TO DO SO MAY RESULT IN PRODUCT MALFUNCTION AND POSSIBLE INJURY TO THE OPERATOR.

OUTBOARD MARINE CORPORATION, MANUFACTURER OF THIS CLASS A RACING OUTBOARD, RESERVES THE RIGHT TO MAKE CHANGES AT ANY TIME, WITHOUT NOTICE, IN SPECIFICATIONS AND MODELS AND ALSO TO DISCONTINUE MODELS. THE RIGHT IS ALSO RESERVED TO CHANGE ANY SPECIFICATIONS OR PARTS AT ANY TIME WITHOUT INCURRING ANY OBLIGATION TO EQUIP SAME ON MODELS MANUFACTURED PRIOR TO DATE OF SUCH CHANGE.

WHILE THE INFORMATION CONTAINED IN THIS PARTS CATALOG IS BASED ON THE LATEST PRODUCT INFORMATION AVAILABLE AT THE TIME OF PUBLICATION, THE CONTINUING ACCURACY OF THIS PARTS CATALOG CANNOT BE GUARANTEED.

ALL ILLUSTRATIONS USED IN THIS PARTS CATALOG MAY NOT DEPICT ACTUAL MODELS OR EQUIPMENT AND ARE INTENDED AS REPRESENTATIVE VIEWS FOR REFERENCE ONLY.

REF. NO. PRECEDED BY A ★ ARE AVAILABLE ONLY FROM:

SECOND EFFORT PERFORMANCE PRODUCTS, INC.
 P.O. BOX 69
 HIGHWAY 27
 LAKE HAMILTON, FLORIDA 33851
 (813) 439-3624

ALL OTHER PART NUMBERS ARE AVAILABLE THROUGH EVINRUDE® AND JOHNSON® DEALERS FROM OMC PARTS AND ACCESSORIES DISTRIBUTORS.

USE SAFETY WIRE PART NUMBER 333003 AS REQUIRED FOR REPLACEMENT.

DJ29

Ref. No.	P/N	Name of Part	Qty.	Ref. No.	P/N	Name of Part	Qty.
*	398119	GEARCASE ASSEMBLY	1	★19	333023	THRUST WASHER, Pinion	1
★1	398002	GEARCASE HSG. ASSEMBLY	1	★20	398171	THRUST WASHER AND BEARING, Prop shaft forward	1
★2	398003	DRIVE GEAR & PROP SHAFT ASSEMBLY	1	★21	333025	THRUST WASHER, Prop shaft, rear	1
★*	333208	PROP SHAFT	1	★22	333026	THRUST BEARING, Pinion	1
★*	333207	DRIVE GEAR	1	★24	333028	THRUST BEARING, Prop shaft, rear	1
★3	398004	DRIVESHAFT & PINION ASSEMBLY	1	★25	333029	SLEEVE, Prop shaft adjustment ...	1
★4	398005	IMPELLER ASSEMBLY	1	★26	333030	SHIM, (.002)	AR
★5	398006	RETAINER AY, Gearcase	1	★26	333031	SHIM, (.005)	AR
★6	333122	BEARING	1	★26	333212	SHIM, (.010)	AR
★7	333123	SEAL	1	★28	333032	SEAL, Propeller shaft, rear	2
★8	333124	RETAINER	1	★29	332803	DRIVESHAFT	1
★9	397917	COUPLER & PIN AY, Driveshaft	1	30	327969	NUT, Stud, water hsg. to gearcase	3
10	314497	STUD, Gearcase, water housing	3	★31	333034	HOUSING, Water transfer	1
★11	333019	SCREW, Gearcase, long	10	32	326649	O-RING, Water transfer hsg. to gearcase	1
★13	333021	SCREW, Gearcase, short	1	33	122890	LOCKNUT, Propeller	1
14	309243	SCREW PLUG, Fill/vent	2	34	324690	DRIVE PIN	1
★15	398008	BEARING AY, Driveshaft, upper	1	35	327035	GROMMET, Water tube, lower	1
★16	398009	BEARING AY, Driveshaft, lower	1	36	324474	SCREW, Gearcase to exh. hsg.	6
★17	398007	BEARING AY, Prop shaft, rear	2				
18	321788	SEAL, Driveshaft, upper	1				

* Not Shown

GEARCASE

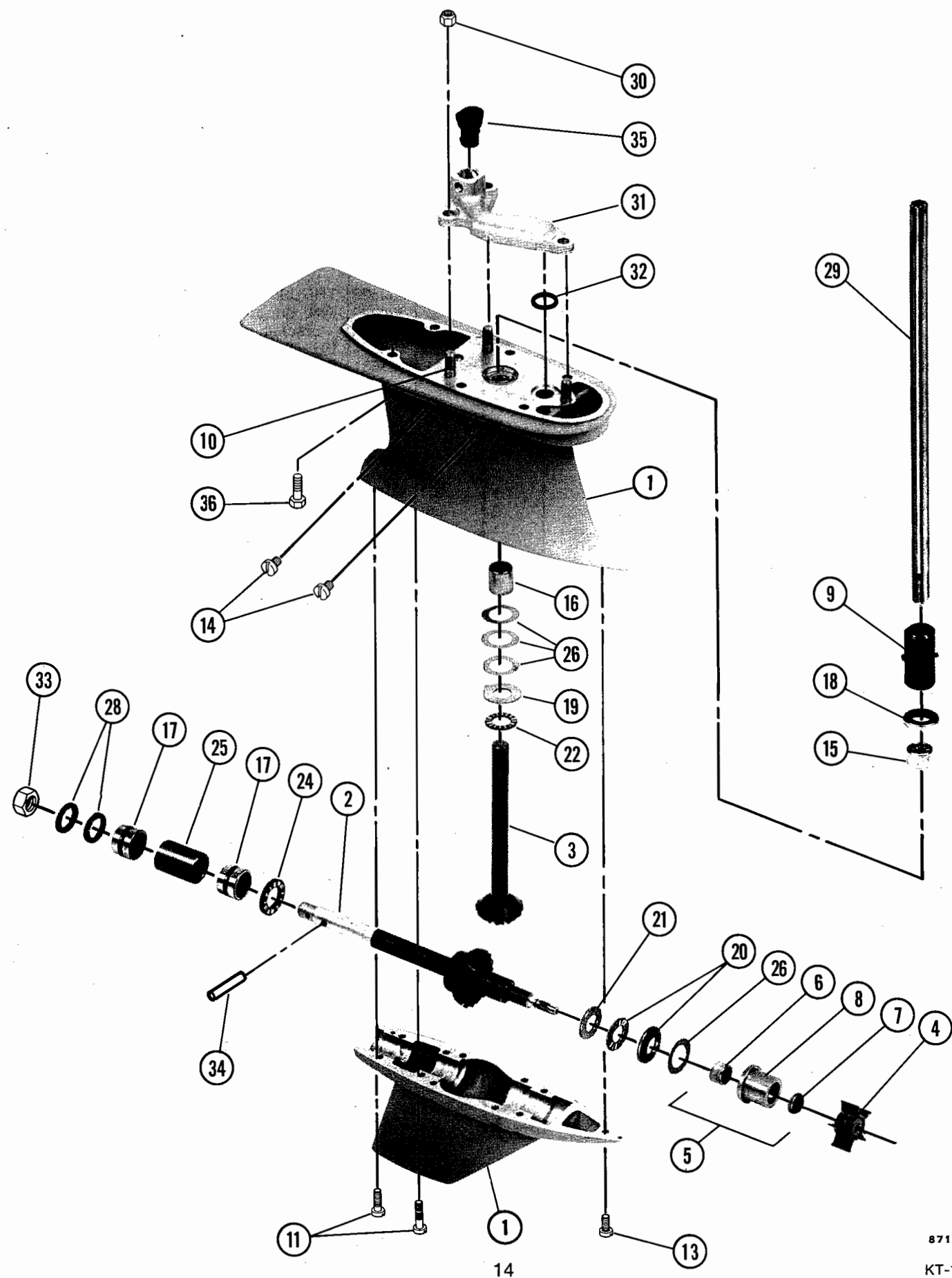


TABLE OF CONTENTS

Engine Cover 4-5
Rewind Starter 6
Fuel Tank 6
Fuel Pump 7
Carburetor and Manifold 8
Ignition 9
Crankshaft and Piston 10
Cylinder and Crankcase 11
Midsection 12-13
Gearcase 14-15

E.S. NO.	PAINT	SPRAY	1 QT. CAN
1655	PRIMER	172757	376015
1678	WHITE	173744	392036
1748	BLACK	330446	330445
1756	SILVER	282342	N/A

INDENTED PART NAMES INDICATE THAT THESE PARTS ARE INCLUDED IN PRECEDING ASSEMBLY

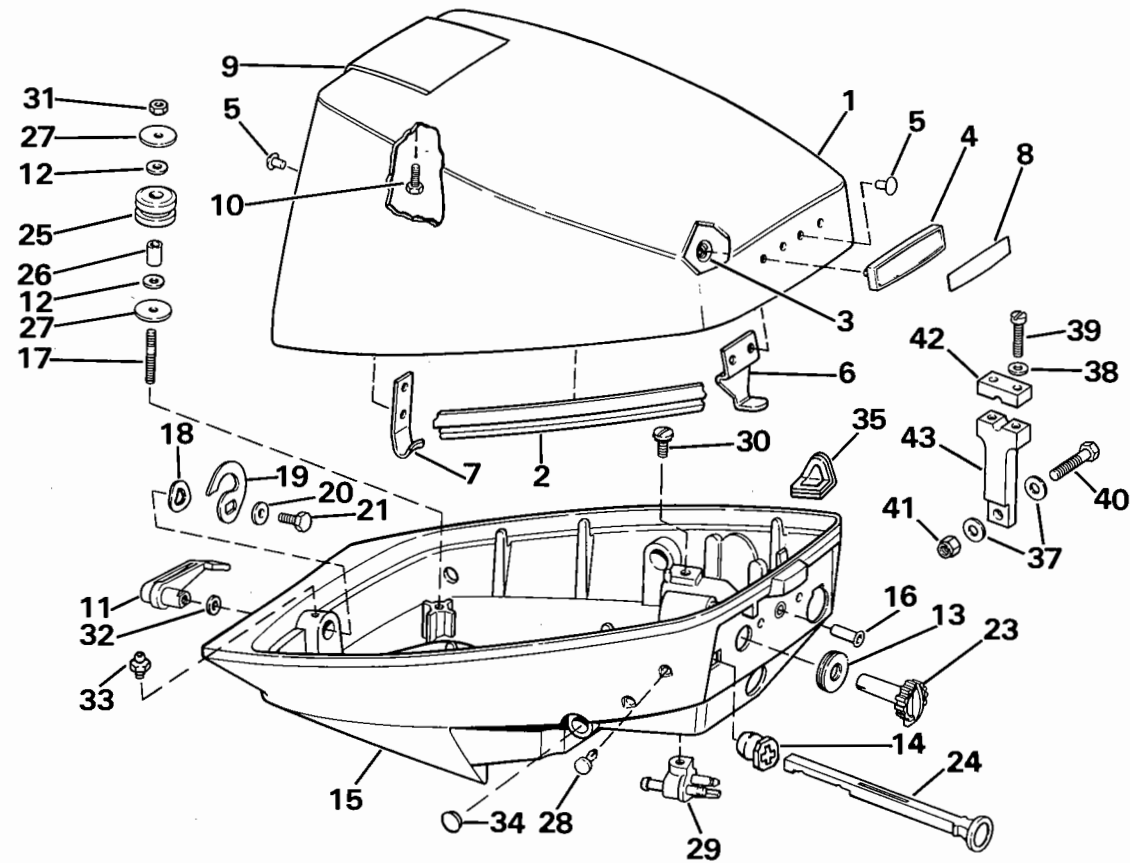
871068

KT-11C

KT-11C

ENGINE COVER - EVINRUDE

MID-SECTION



DJ19 861525

Ref. No.	P/N	Name of Part	Qty.	Ref. No.	P/N	Name of Part	Qty.
1	283073	ENGINE COVER ASSEMBLY	1	24	319291	KNOB, Choke	1
2	210693	SEAL, Engine cover	1	25	316354	GROMMET, Support	3
3	317223	FASTENER, Applique	2	26	302406	SLEEVE, Mount engine cover	3
4	210696	APPLIQUE, Front	1	27	331250	WASHER, Mount large	6
5	318836	RIVET, Hook to cover	4	28	319744	PLUG, Lower engine cover	2
6	396886	HOOK, Front (Includes No. 5)	1	29	397444	FUEL CONNECTOR	1
7	391124	HOOK, Rear (Includes No. 5)	1	★29	397806	FUEL CONNECTOR ①	1
8	210342	PLATE, Applique, front	1	30	329265	SCREW, Fuel connector body	1
9	331134	TILT, Handle	1	31	328740	NUT, Mount stud	3
10	330838	SCREW, Tilt handle	4	32	321863	WASHER, Latch handle	1
11	395910	HANDLE, Latch	1	33	313607	LUBE FITTING, Motor cover	1
12	331249	WASHER, Mount small	6	34	316337	PLUG, Motor cover, lower	1
13	319131	GROMMET, Knob to mtr. cover	1	35	331370	GROMMET, Blank lower cover	1
14	320731	GROMMET, Choke knob	1	37	304051	WASHER, Cable anchor	2
★15	398015	MOTOR COVER AND EYELET	1	38	303715	WASHER, Cable retainer	2
16	331977	EYELET	1	39	302677	SCREW, Cable retainer	2
17	331044	STUD, Mount engine cover	3	40	306778	SCREW, Cable retainer	1
18	553766	BOW WASHER, Latch to screw	1	41	900402	NUT, Cable anchor	1
19	319064	LATCH, Rear lower engine cover	1	★42	333121	CABLE RETAINER	1
20	328703	WASHER, Latch to screw	1	★43	333120	CABLE ANCHOR BRACKET	1
21	304027	SCREW, Latch to handle	1	*	210641	OWNER'S MANUAL, Evinrude	1
23	319152	KNOB, Slow speed adjustment	1				

* Not Shown
 ① Use On Boats With Built-in Fuel Tank

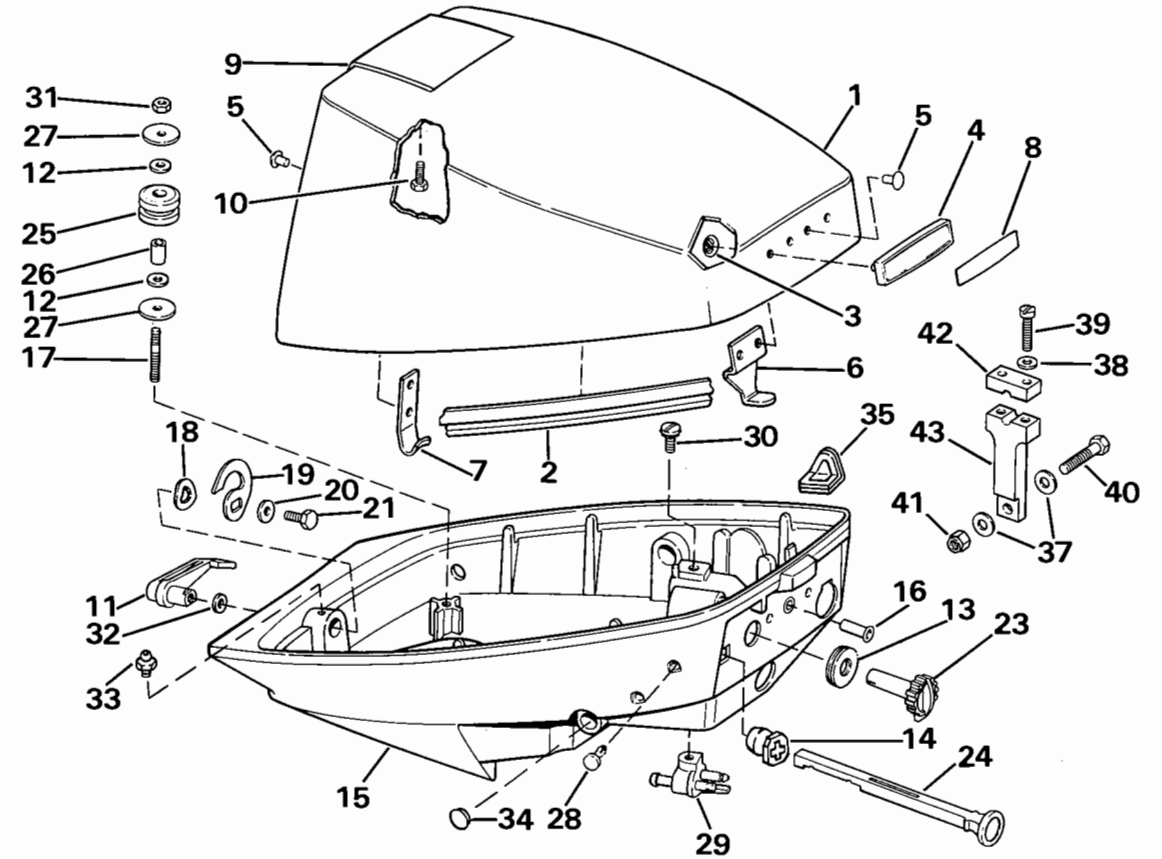
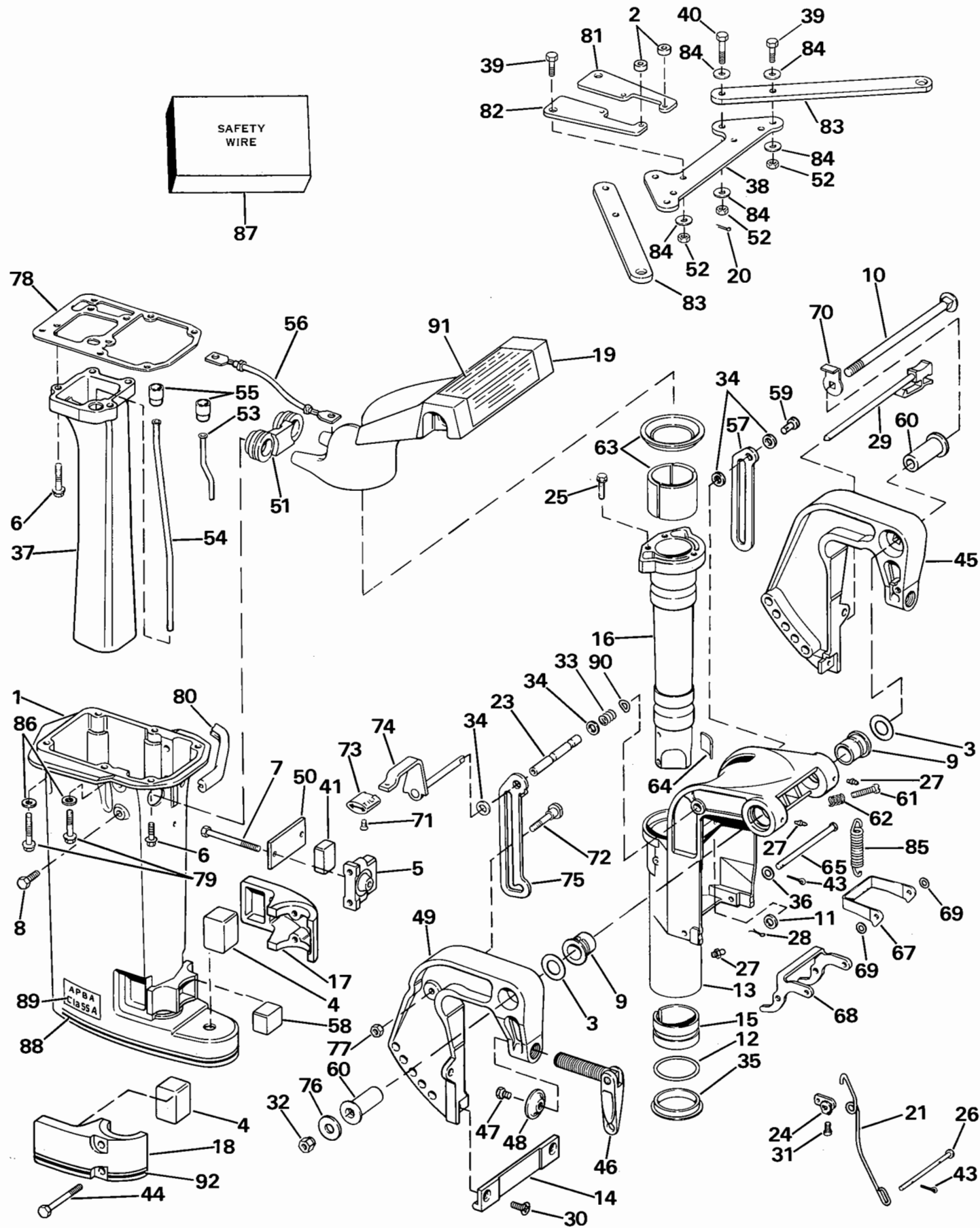
DJ28

Ref. No.	P/N	Name of Part	Qty.	Ref. No.	P/N	Name of Part	Qty.
1	391578	EXHAUST HOUSING ASSY.	1	50	329047	PLATE, Upper mounts	1
2	332924	SPACER, Steering bracket	2	51	318989	SEAL, Upper mounts to exh. hsg.	1
3	319699	WASHER, Stern bracket	2	52	314898	NUT, Tie bar	6
★4	332591	LATERAL MOUNT, Lower	2	53	395125	TUBE, Water outlet	1
★5	398037	MOUNT ASSY., Upper	2	54	395122	WATER TUBE	1
6	324334	SCREW, Exhaust housing	2	55	330426	GROMMET, Upper, water tube	2
7	313600	SCREW, Upper mounts to strg. brkt.	2	56	583051	GROUND LEAD, Bracket to hsg.	1
8	306049	SCREW, Upper mounts to exh. hsg.	4	57	328289	SUPPORT BRACKET, Tilt lock port	1
9	319787	BUSHING, Swivel bracket	2	★58	332592	THRUST MOUNT, Lower	1
10	332960	TILT BOLT, Stern brkt. to swivel brkt.	1	59	328290	PIN, Support bracket to swivel bracket	1
11	303884	WASHER, Pin to support bracket	1	60	325914	BUSHING, Stern bracket	2
12	301917	O-RING, Lower, pivot tube	1	61	321531	SCREW, Friction adjust. swivel brkt.	1
13	330507	SWIVEL BRACKET	1	62	551113	SPRING, Friction adjust.	1
14	309738	PLATE, Stern brkt.	1	63	397736	THRUST WASHER, Seal & liner assy.	1
15	309967	BUSHING, Lower, pivot tube	1	64	332662	FRICITION BLOCK, Swivel brkt.	1
16	318528	PILOT SHAFT, Swivel brkt.	1	65	319055	PIN, Link to swivel brkt.	1
17	329021	MOUNT BRACKET, Lower, port.	1	66	319050	LOCKING LEVER, Reverse lever	1
18	329020	MOUNT BRACKET, Lower, stbd.	1	67	319050	LOCKING LEVER, Reverse lever	1
19	396609	STEERING BRACKET	1	68	322949	LINK, Reverse lock	1
20	306387	COTTER PIN, Screw	2	69	204293	WASHER, Pin link to lever	2
21	320416	WIRE, Reverse lock release	1	70	325017	WASHER, Tilt bolt to swivel brkt.	1
23	328285	BUSHING, Tilt lock shaft to swivel brkt.	1	71	319227	SCREW, Tilt knob	1
24	319049	BELLCRANK, Reverse lock	1	72	319047	PIN, Tilt lock to stern brkt.	2
25	324334	SCREW, Steering brkt.	3	73	328048	KNOB, Tilt & reverse lock lever	1
26	326943	PIN, Link to locking lever	1	74	393199	LEVER & SHAFT ASSY., Lock	1
27	313607	LUBRICATION FITTING	3	75	319134	TILT LOCK, Stbd.	1
28	305650	COTTER PIN, Pin to support bracket	1	76	604174	WASHER, Tilt bolt to swivel brkt.	1
29	390441	TILT PIN ASSY.	1	77	313022	LOCK NUT, Pin	2
30	308684	SCREW, Plate to stern brkt.	2	78	325721	GASKET, Powerhead to exhaust housing	1
31	319108	SCREW, Bellcrank	1	★79	332600	SCREW, Outer exh. hsg. to powerhead, long	4
32	325451	NUT, Tilt bolt to swivel brkt.	1	80	319280	SEAL, Exhaust housing to lower motor cover	1
33	319270	SPRING WASHER, Tilt lock bushing	1	★81	332593	STEERING BRACKET, Port	1
34	308052	WASHER, Tilt lock, shaft bushing	4	★82	332594	STEERING BRACKET, Stbd.	1
35	309966	THRUST WASHER, Lower swivel brkt.	1	★83	397824	STEERING BAR & SLEEVE	2
36	310540	WASHER, Tilt lock shaft, outer	1	84	318384	WASHER, Tie bar	10
37	330440	EXHAUST TUBE, Inner	1	85	319279	SPRING, Reverse lock	3
★38	332597	TIE BAR, Steering	1	86	313079	WASHER, Exhaust hsg.	4
★39	332919	SCREW, Tie bar	4	87	333003	SAFETY WIRE, Locking	AR
★40	332918	SCREW, Steering bar, rear	2	★88	210660	DECAL, Exhaust hsg., Ev.	1
★41	332806	THRUST MOUNT, Upper	1	★88	332635	DECAL, Exhaust hsg., Jo.	1
43	305650	COTTER PIN, Link, reverse lock & swivel brkt.	3	★89	210838	DECAL, Class "A", Ev.	2
44	319042	SCREW, Mounting brkt., lower	2	★89	332605	DECAL, Class "A", Jo.	2
45	393190	STERN BRACKET & CLAMPSCREW ASSY., Port	1	90	309020	WASHER, Spring	1
46	388347	CLAMPSCREW ASSY.	1	★91	332988	DECAL, Steering bracket	1
47	321922	SCREW, Plate	1	★92	210837	DECAL, Exhaust hsg. upper, Ev.	1
48	307561	PLATE, Swivel	1	★92	333226	DECAL, Exhaust hsg. upper, Jo.	1
49	393191	STERN BRKT. & CLAMPSCREW ASSY., Stbd. (Includes item 46)	1				

* Not Shown

MID-SECTION

ENGINE COVER - JOHNSON



DJ20

861525

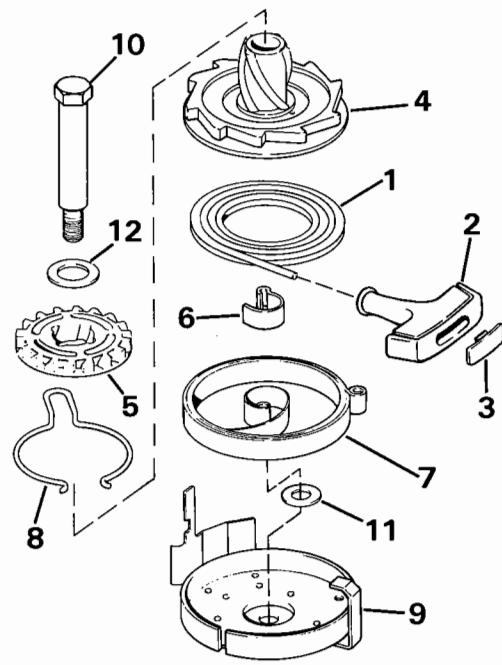
Ref. No.	P/N	Name of Part	Qty.	Ref. No.	P/N	Name of Part	Qty.
1	397720	ENGINE COVER ASSEMBLY	1	23	319152	KNOB, Slow speed adjustment	1
2	207843	SEAL, Engine cover	1	24	319291	KNOB, Choke	1
3	317223	FASTENER, Applique	2	25	316354	GROMMET, Support	3
4	331907	APPLIQUE, Front	1	26	302406	SLEEVE, Mount engine cover	3
5	318836	RIVET, Hook to cover	4	27	331250	WASHER, Mount large	6
6	396886	HOOK, Front (Includes No. 5)	1	28	319744	PLUG, Lower engine cover	2
7	391124	HOOK, Rear (Includes No. 5)	1	29	397444	FUEL CONNECTOR	1
8	332715	PLATE, Applique, front	1	★29	397806	FUEL CONNECTOR ①	1
9	331134	TILT, Handle	1	30	329265	SCREW, Fuel connector body	1
10	330838	SCREW, Tilt handle	4	31	328740	NUT, Mount stud	3
11	395910	HANDLE, Latch	1	32	321863	WASHER, Latch handle	1
12	331249	WASHER, Mount small	6	33	313607	LUBE FITTING, Motor cover	1
13	319131	GROMMET, Knob to mtr. cover	1	34	316337	PLUG, Motor cover, lower	1
14	320731	GROMMET, Choke knob	1	35	331370	GROMMET, Blank lower cover	1
★15	398015	MOTOR COVER AND EYELET	1	37	304051	WASHER, Cable anchor	2
16	331977	EYELET	1	38	303715	WASHER, Cable retainer	2
17	331044	STUD, Mount engine cover	3	39	302677	SCREW, Cable retainer	2
18	553766	BOW WASHER, Latch to screw	1	40	306778	SCREW, Cable retainer	1
19	319064	LATCH, Rear lower engine cover	1	41	900402	NUT, Cable anchor	1
20	328703	WASHER, Latch to screw	1	★42	333121	CABLE RETAINER	1
21	304027	SCREW, Latch to handle	1	★43	333120	CABLE ANCHOR BRACKET	1
				*	397656	OWNER'S MANUAL, Johnson	1

* Not Shown
 ① Use On Boats With Built-in Fuel Tank

871067

KT-11C

REWIND STARTER



DJ21

Ref. No.	P/N	Name of Part	Qty.
*	389951	REWIND STARTER ASSEMBLY	1
1	**	ROPE, Starter	1
2	331361	HANDLE, Starter	1
3	332260	CAP, Starter handle	1
4	324909	STARTER PULLEY	1
5	318940	PINION, Rewind starter	1
6	323654	RETAINER, Starter spring	1
7	323653	SPRING, Rewind starter	1
8	318943	SPRING, Pinion	1
9	389204	CUP AND GUIDE ASSY.	1
10	318936	SCREW, Starter to manifold	1
11	318941	WASHER, Cup to screw	1
12	318937	WASHER, Pulley to screw	1

* Not Shown

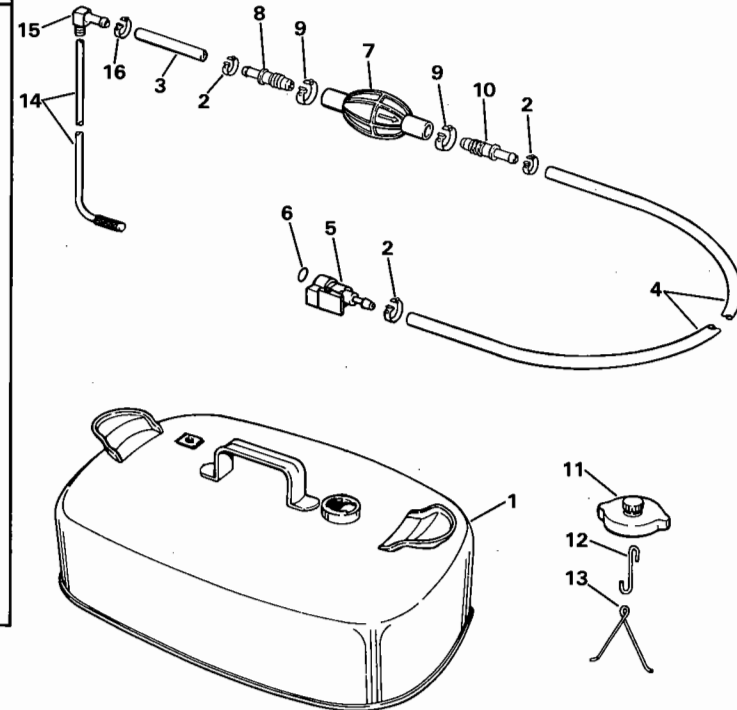
** Cut from 100 ft. Roll, Part No. 322236. Cutting Length 68-1/2"

871064

FUEL TANK

DJ22

Ref. No.	P/N	Name of Part	Qty.
1	397446	FUEL TANK ASSEMBLY	1
1	397447	FUEL TANK ASSY. ②	1
*	397459	FUEL CONN., Hose and primer bulb assembly	1
2	331384	CLAMP, Hose	3
3	①	HOSE, 76mm (3")	1
4	①	HOSE, 1.8m (72")	1
5	174508	FUEL CONNECTOR KIT ASSY.	1
6	331380	O-RING	1
*	322654	HOSE CLAMP	1
*	174511	PRIMER BULB ASSY. KIT	1
7	393641	PRIMER BULB, Gas tank	1
8	397525	NIPPLE & VALVE ASSY.	1
9	553166	CLAMP, Bulb to nipple	2
10	396462	NIPPLE & VALVE ASSY.	1
11	388933	FUEL CAP ASSEMBLY	1
12	323369	LINK, Anchor	1
13	552331	ANCHOR, Cap	1
14	397605	FUEL LINE ASSY.	1
15	306266	ELBOW	1
16	331384	CLAMP, Hose	1
*	332815	SPRAY PAINT, 12oz., dark red	AR



* Not Shown

① Also Available in 15.2m (50 ft.) Rolls, Part No. 333341

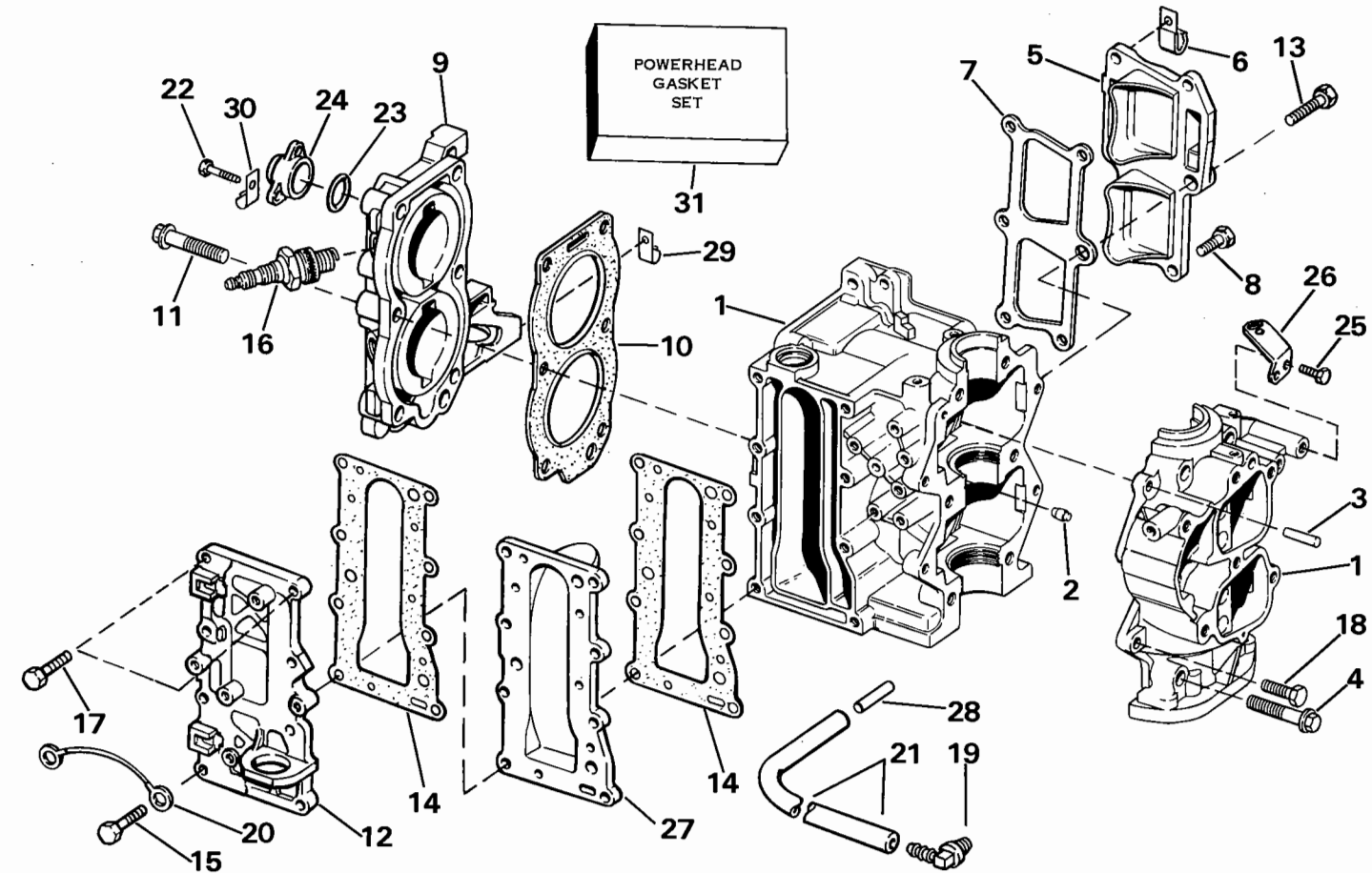
② NOTE: Available Only in Outboard Marine Belgium Marketing Area. See Rear Cover.

6

861287

KT-11C

CYLINDER & CRANKCASE



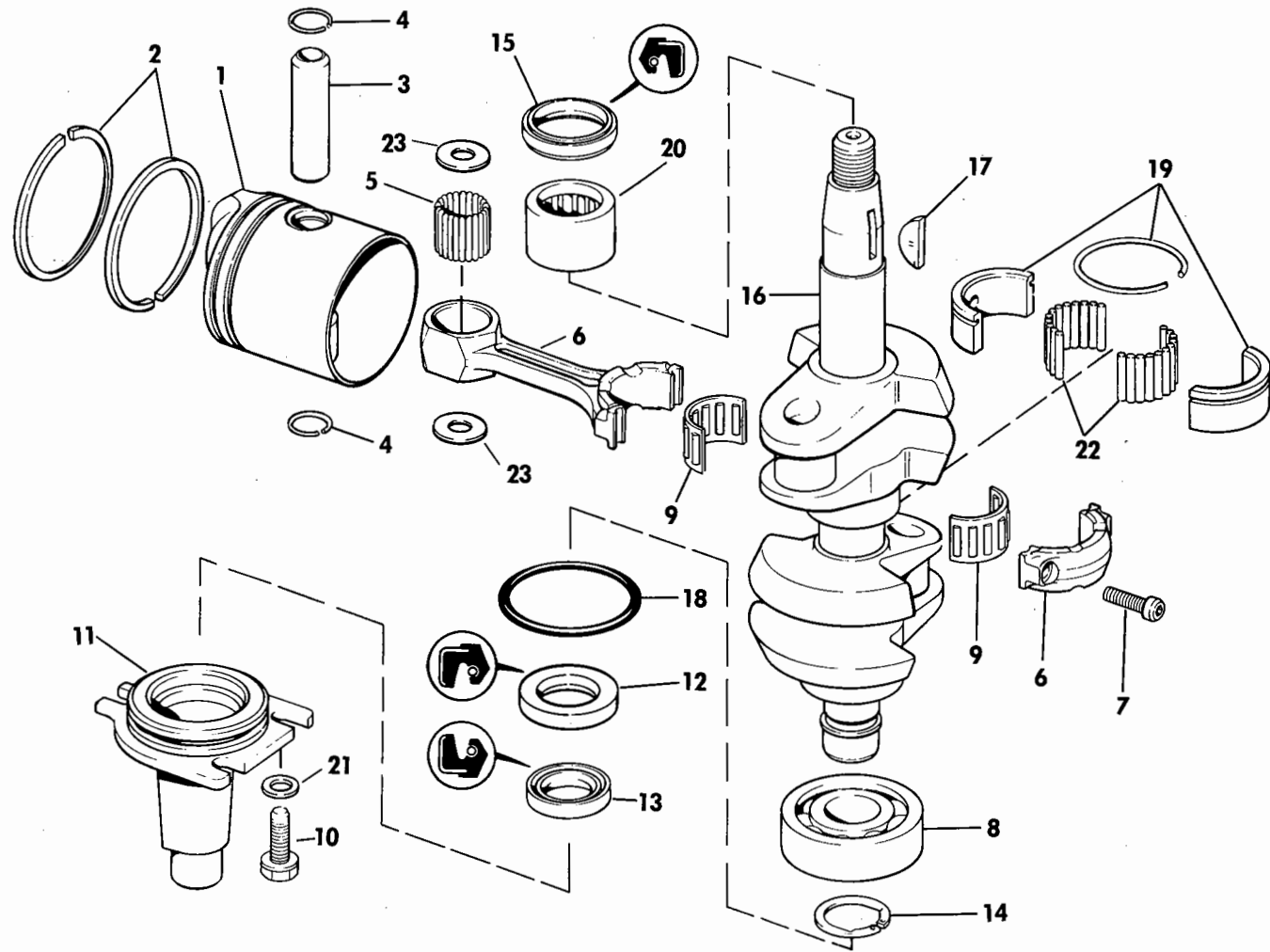
DJ27

Ref. No.	P/N	Name of Part	Qty.	Ref. No.	P/N	Name of Part	Qty.
1	396010	CYLINDER & C'CASE ASSY.	1	17	316491	SCREW, Exhaust cover	2
2	304178	DOWEL, Bearing	1	18	909386	SCREW, Cylinder to crankcase	4
3	300402	TAPER PIN	1	19	321886	ELBOW, Indicator	1
4	318622	SCREW, Cylinder to crankcase	6	20	376349	GRD. WIRE, Cover to mtr. cover	1
5	328820	BY-PASS COVER	1	21	328388	HOSE, Nipple to elbow	1
6	310440	CLAMP, By-pass cover ground lead	1	22	328744	SCREW, Thermostat cover	3
7	319332	GASKET, By-pass cover	1	23	331188	GASKET, Cover	1
8	332203	SCREW, By-pass cover	1	24	331189	COVER, Thermostat	1
★9	332162	CYLINDER HEAD	1	25	329265	SCREW, Spark advance bracket	2
10	330818	GASKET, Cylinder head	1	★26	332602	BRACKET, Spark advance	1
11	319226	SCREW, Cylinder head	6	27	318926	EXHAUST COVER, Inner	1
12	322404	EXHAUST COVER, Outer	1	28	314513	RESTRICTOR, Overboard hose	1
13	300646	SCREW, Bypass cover	5	29	330151	CLAMP, Armature plate lead	1
14	318925	GASKET, Exhaust cover	2	30	317755	CLAMP, Armature plate lead	1
15	331001	SCREW, Exhaust cover	8	31	394546	POWERHEAD GASKET SET	1
16	387633	SPARK PLUG, Champion QL77J4	2				

861145

KT-11C

11

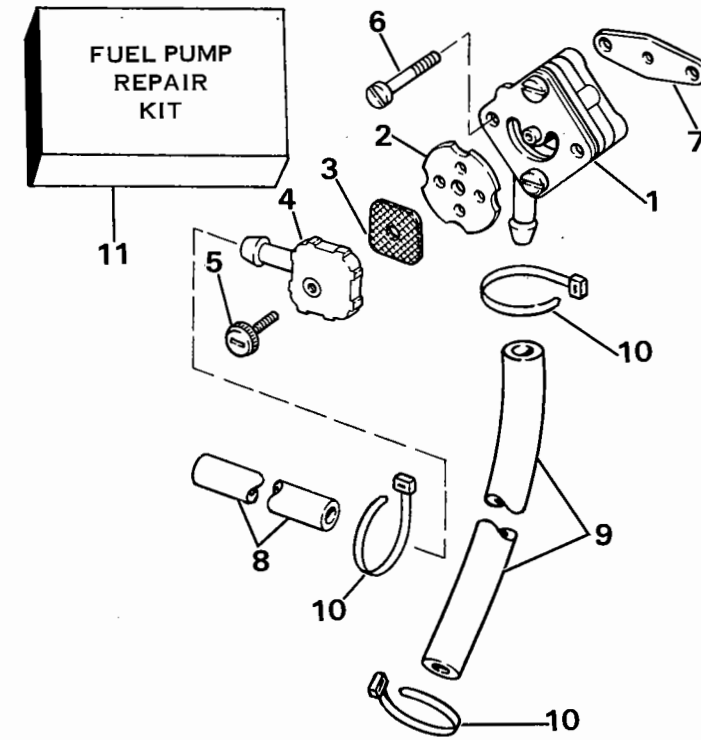


DJ26

841352

Ref. No.	P/N	Name of Part	Qty.	Ref. No.	P/N	Name of Part	Qty.
1	397487	PISTON, Standard	2	11	394327	CRANKCASE HEAD	1
1	393852	PISTON, .030 O.S. ①	2	12	321831	SEAL, Upper	1
2	386279	RING SET, Standard	1	13	321788	SEAL, Lower	1
2	386280	RING SET, .030 O.S.	1	14	318641	RETAINING RING, Ball bearing	1
3	325296	WRIST PIN	2	15	321830	SEAL, Crankshaft	1
4	325262	RETAINING RING	4	16	329421	CRANKSHAFT	1
5	393283	BEARING, Wrist pin	2	17	318931	KEY, Crankshaft	1
6	396607	CONNECTING ROD ASSEMBLY	2	18	308458	O-RING, Crankcase head	1
7	304610	SCREW, Rod cap	2	19	318863	SPLIT SLEEVE, Center bearing	1
8	385173	BEARING ASSEMBLY, Crankshaft, lower	1	20	386008	BEARING ASSEMBLY, Crankshaft	1
9	395401	BEARING SET	2	21	305981	WASHER, Screw c'case head	3
10	124341	SCREW, Crankcase head	3	22	393804	BEARING ASSY., Center	1
				23	328792	WASHER, Wrist pin	4

① Includes Piston Rings



DJ23

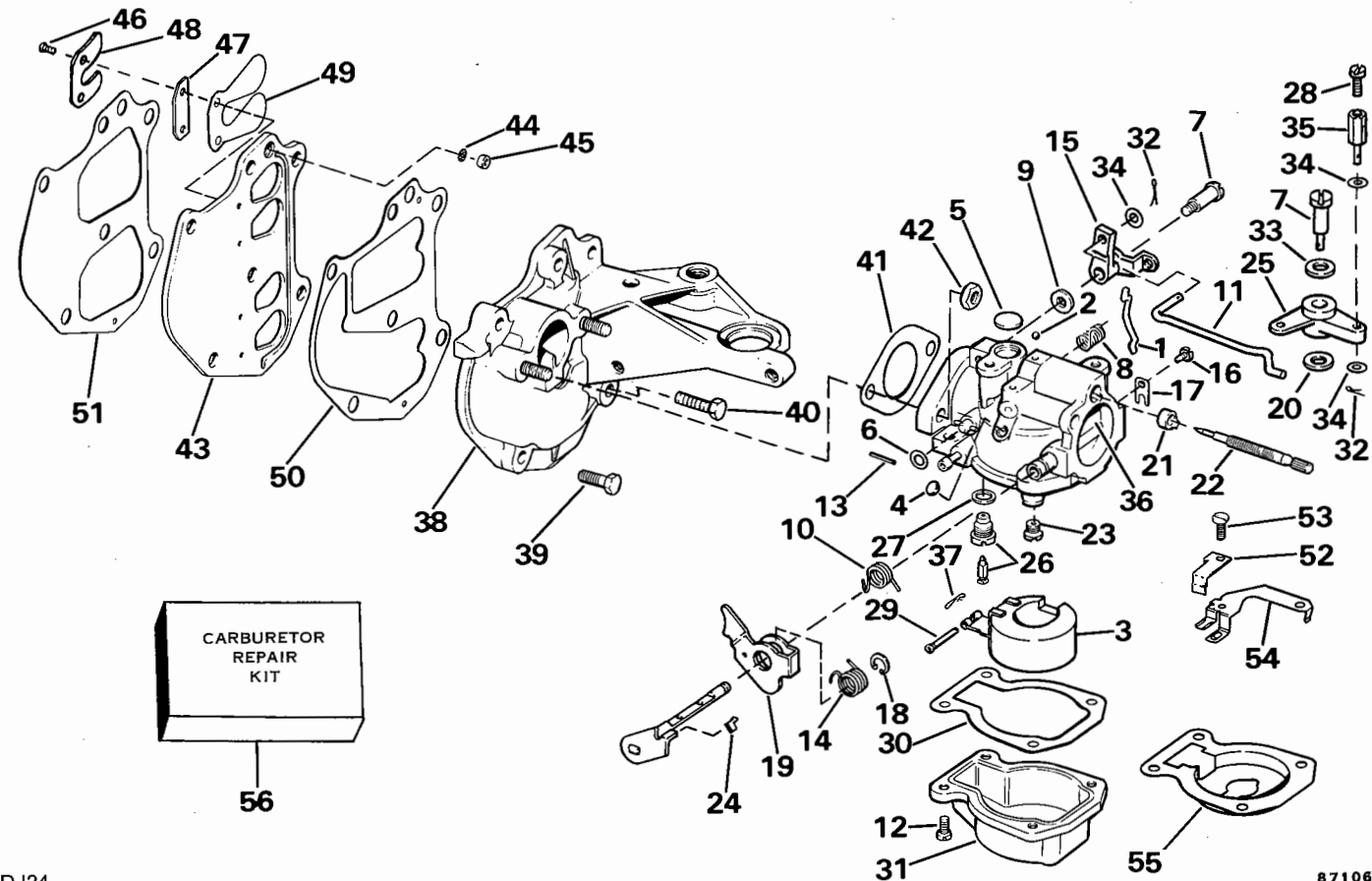
851529

Ref. No.	P/N	Name of Part	Qty.	Ref. No.	P/N	Name of Part	Qty.
1	397839	FUEL PUMP ASSY.	1	7	303615	GASKET, Pump mounting	1
2	331363	GASKET, Cap to pump	1	8	*	HOSE, Connector to pump 21"	1
3	312633	SCREEN, Filter	1	9	**	HOSE, Pump to carburetor 9-1/4"	1
4	329972	CAP, Filter	1	10	320107	CLAMP STRAP, Hose	4
5	330196	SCREW, Cap	1	11	393088	FUEL PUMP REPAIR KIT	1
6	314417	SCREW, Pump mounting	2				

* Cut from 25 ft. Roll, Part No. 333341.

** Cut from 25 ft. Roll, Part No. 327228.

CARBURETOR & MANIFOLD

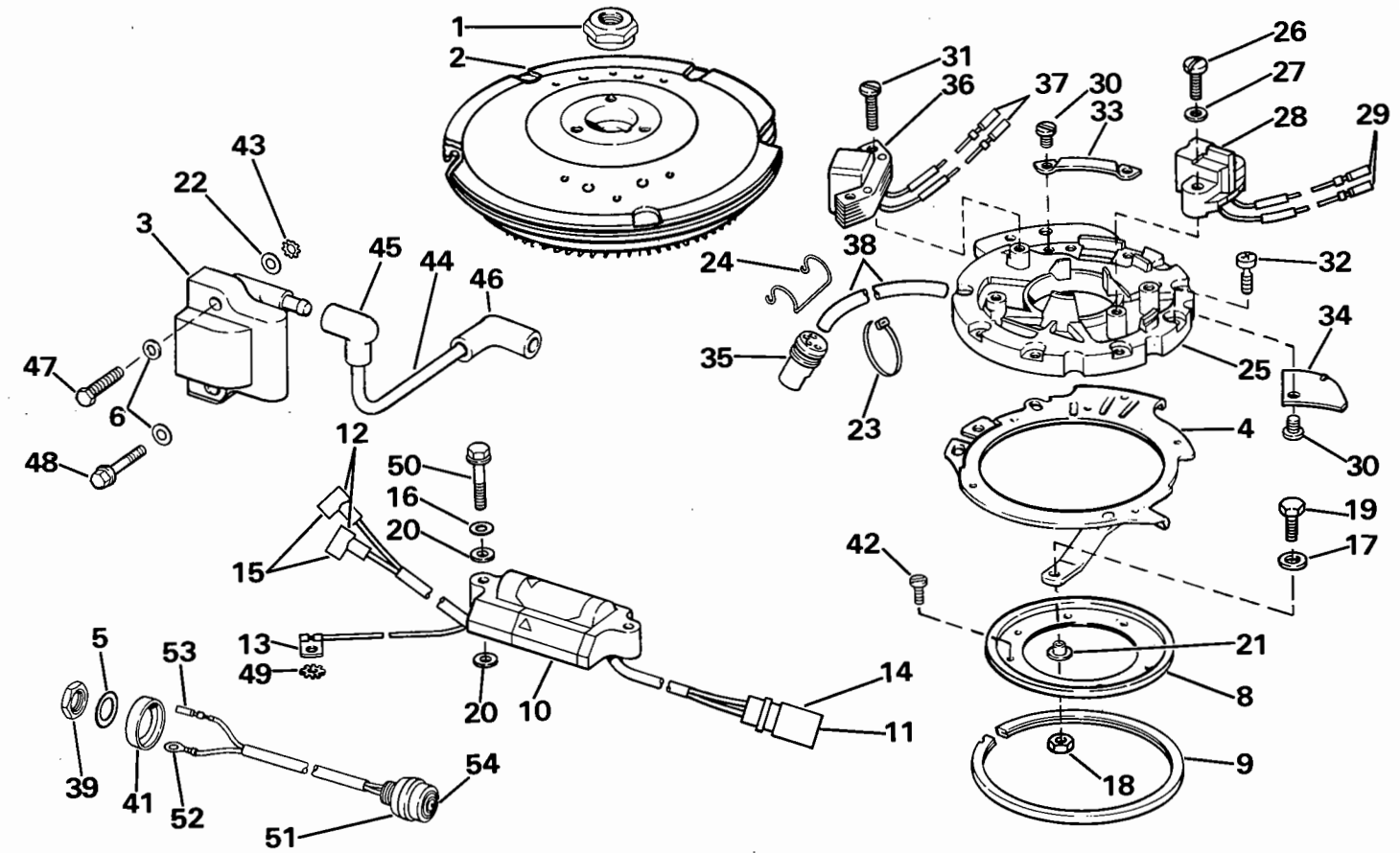


DJ24

Ref. No.	P/N	Name of Part	Qty.	Ref. No.	P/N	Name of Part	Qty.
★	397653	CARBURETOR ASSEMBLY	1	27	301996	GASKET	1
★1	332929	LINK, Throttle lever	1	28	319108	SCREW, Retainer	1
2	304201	LEAD SHOT	3	29	302661	HINGE PIN, Float	1
3	396514	FLOAT ASSY.	1	30	319011	GASKET, Float bowl	2
4	305243	CORE PLUG	1	31	330881	FLOAT CHAMBER	1
5	202310	CORE PLUG	1	32	303049	COTTER PIN	2
6	330191	WASHER, Throttle shaft	1	33	329241	WASHER, Bellcrank, upper	2
7	312831	SHOULDER SCREW, Cam follower	2	34	309907	WASHER	3
8	320469	SPRING, Throttle return	1	★35	332926	RETAINER, Throttle cable wire	1
9	330190	WASHER, Shoulder screw	1	★36	332603	THROTTLE VALVE	1
10	319023	SPRING, Choke return	1	37	603145	CLIP, Float to float arm	1
★11	333098	LINK, Bellcrank	1	38	390460	MANIFOLD, Intake	1
12	318090	SCREW, Float bowl	4	39	329894	SCREW, Manifold to crankcase short	1
13	314575	ROLL PIN, Throttle shaft	1	40	312978	SCREW, Manifold to crankcase long	5
14	321734	SPRING, Choke override	1	41	318932	GASKET, Carb. to manifold	1
★15	332925	THROTTLE LEVER	1	42	328742	NUT, Carburetor mounting	2
16	330284	SCREW, Choke shaft retaining clip	1	*	390050	LEAF PLATE ASSEMBLY	1
17	330285	RETAINING CLIP, Choke shaft	1	43	386477	LEAF PLATE & VALVE ASSY.	1
18	202850	RETAINING RING, Choke lever	1	44	305344	SCREEN	1
19	330312	LEVER, Choke	1	45	385111	CHECK VALVE	1
20	328739	WASHER, Lower	1	46	303761	SCREW, Leaf to plate	4
21	315232	RETAINER, Needle valve	1	47	325038	SHIM	2
22	330884	NEEDLE VALVE, Slow speed	1	48	386842	STOP SET, Leaf	1
23	326858	ORIFICE PLUG, No. 56	1	49	318922	LEAF VALVE	2
**23	328528	ORIFICE PLUG, No. 52	1	50	325260	GASKET, Leaf plate	1
**23	322293	ORIFICE PLUG, No. 54	1	51	318924	GASKET, Plate to crankcase	1
**23	320820	ORIFICE PLUG, No. 58	1	52	324738	GUIDE, Choke knob	1
**23	319781	ORIFICE PLUG, No. 60	1	53	302812	SCREW, Guide	1
24	318536	SLEEVE	1	54	324434	DETENT, Choke knob	1
★25	333099	BELLCRANK, Throttle	1	★55	333221	BAFFLE PLATE	1
26	396522	FLOAT VALVE & SEAT ASSY.	1	56	386698	CARBURETOR REPAIR KIT	1

* Not Shown ** Optional High Speed Jet (C) Also Available in Carburetor Repair Kit

IGNITION



DJ25

Ref. No.	P/N	Name of Part	Qty.	Ref. No.	P/N	Name of Part	Qty.
1	302944	NUT, Flywheel	1	28	581655	SENSOR ASSEMBLY	1
2	583077	FLYWHEEL ASSEMBLY	1	29	581656	SOCKET ASSEMBLY	2
3	582508	IGNITION COIL ASSEMBLY	2	30	303212	SCREW, Clamp & cover	3
★4	398071	RETAINER & LINK ASSEMBLY	1	31	309545	SCREW, Coil assembly	2
5	319057	WASHER, Shorting switch	1	32	511460	SCREW, Retainer	5
6	328703	WASHER, Ignition coil mounting	4	33	511458	CLAMP, Leads	1
8	322102	SUPPORT, Armature plate	1	34	331626	COVER, Leads	1
9	322435	BEARING, Armature plate	1	35	512753	CONNECTOR, Leads	1
10	582285	POWER PACK ASSEMBLY	1	36	581670	COIL & LAMINATION ASSY.	1
11	511469	PIN	5	37	581656	SOCKET ASSEMBLY	2
12	512478	COVER	2	38	512765	TUBING	1
13	512131	TERMINAL	1	39	310598	NUT, Shorting switch	1
14	512754	CONNECTOR	1	41	324066	MOUNTING RING	1
15	512256	PIN RECEPTACLE	2	42	319547	SCREW, Support to cylinder	4
16	328703	WASHER, Powerpack	2	43	328701	LOCKWASHER, Coil to ground	2
17	318452	WASHER, Spark advance	1	44	582365	SPARK PLUG LEAD ASSY.	2
18	313022	NUT, Spark advance	1	45	581027	TERMINAL	1
19	329217	BOLT	1	46	580339	TERMINAL	1
20	329176	WASHER, Powerpack	5	47	331025	SCREW, Coil assy., short	2
21	307841	SLEEVE, Control shaft	1	48	323626	SCREW, Coil, long	1
22	329176	WASHER, Ignition coil	3	49	328701	LOCKWASHER, Ground	2
23	320107	TIE STRAP, Stator leads	1	50	329110	SCREW, Power pack to cover	2
24	512743	RETAINER	1	51	583068	SHORTING SWITCH ASSY.	1
*	583098	PLATE ASSEMBLY COMPLETE	1	52	308175	TERMINAL	1
25	582417	PLATE & SLEEVE ASSY.	1	53	581656	SOCKET	1
26	307175	SCREW, Sensor to plate	2	54	391306	COVER ASSY., Shorting switch	1
27	306547	WASHER, Sensor screw	2				

* Not Shown