

### What is a Thermostatic Mixing Valve (TMV Valve)?

A thermostatic mixing valve is a valve that combines hot and cold water prior to it reaching a tap or shower unit. The valve can be easily fitted to the water supply by the plumber when the tap or shower unit is being installed.

### Should I use a TMV Valve?

Whilst we do not supply a TMV Valve as standard with our showers or taps, we do recommend that one is fitted. Installing a TMV valve is a simple process that offers a number of benefits, such as :

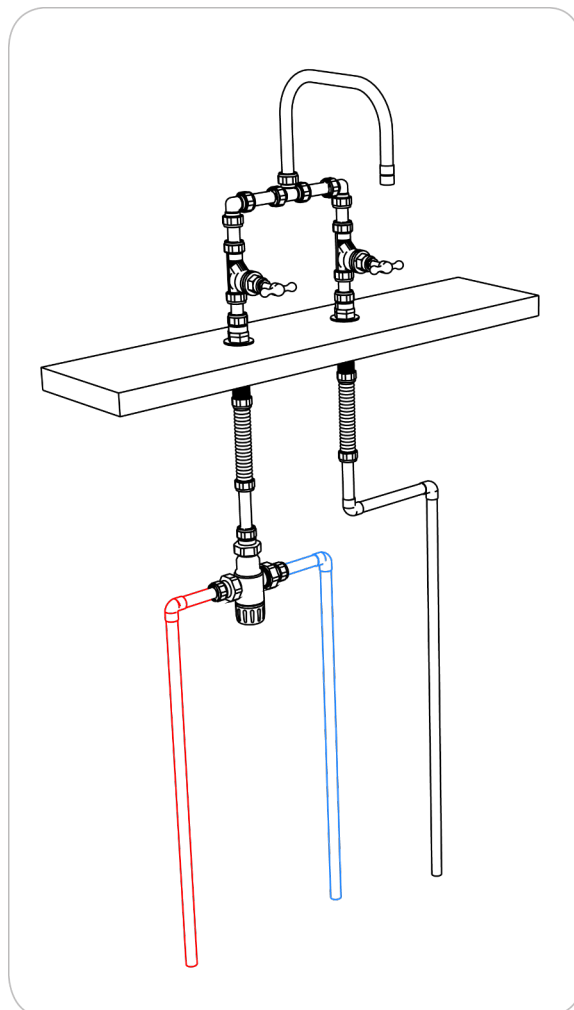
- A safe and comfortable water temperature can be set on the TMV valve, ensuring that all hot water that passes through the shower or tap remains at this maximum temperature.
- Without a TMV valve, the hot and cold water needs to be manually mixed in order to reach the desired temperature. A TMV valve can potentially help to save water, energy and time by ensuring this temperature without manual mixing.

### Where do I obtain a TMV valve?

Your plumber should be able to obtain and fit a TMV valve. Alternatively, please get in touch and we will be happy to source a valve for you.

### Further Assistance

If you would like any more information regarding the use or installation of a TMV valve, please do not hesitate to get in touch with Proper Copper Design, and we will be happy to help.



**Above** - An example of a TMV valve fitted to a Proper Copper Design mixer tap. The valve takes a hot (highlighted in red) and cold (highlighted in blue) water feed and outlets the desired mixed temperature.