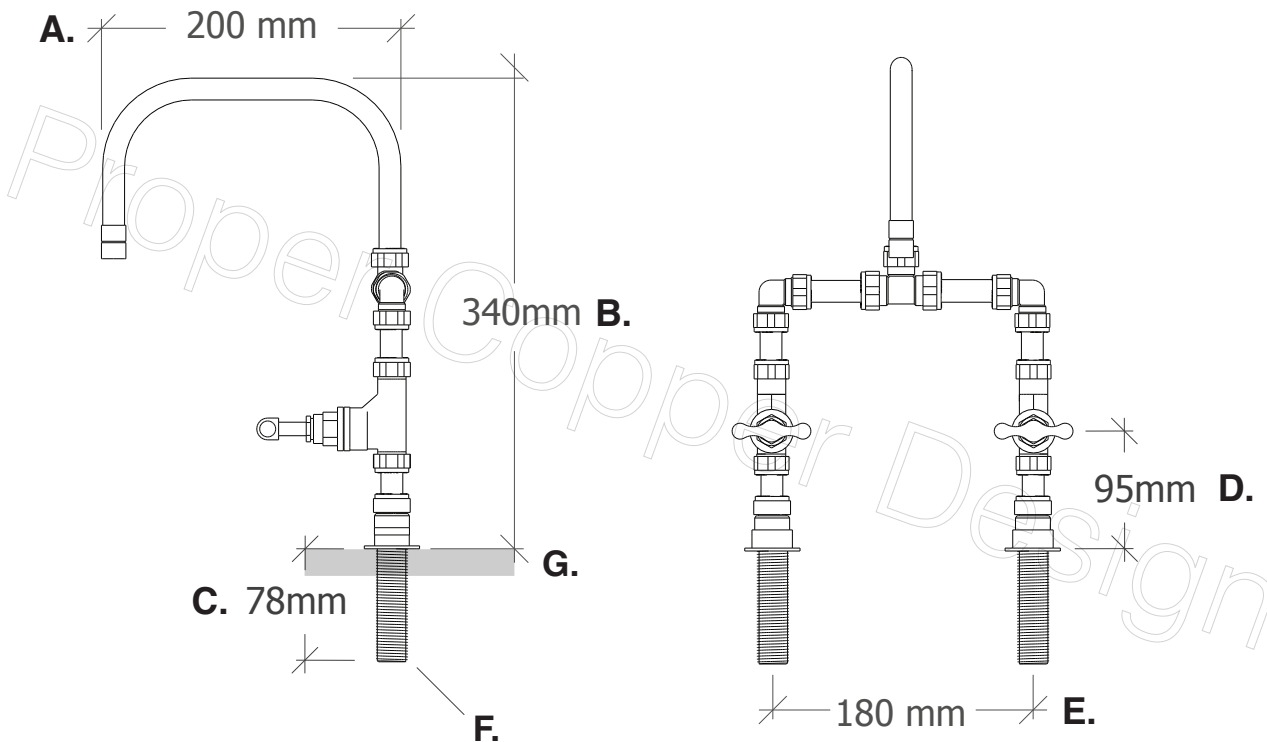


Name	Congo (15mm Pipe Diameter)
Function	Mixer Tap / Faucet (Surface Mounted)
Material	Genuine Copper and Brass

<b>A. Total Projection</b>	200mm / 20cm / 7.87" Inches
<b>B. Total Height</b>	340mm / 34cm / 13.38" Inches
<b>C. Tap Tail to Surface</b>	78mm / 7.8cm / 3.07" Inches
<b>D. Surface to Tap Turn</b>	95mm / 9.5cm / 3.74" Inches
<b>E. Pipe Inlet Centres</b>	180mm / 18cm / 7.08" Inches
<b>F. Tap Tail Thread Diameter</b>	1/2" Inch
<b>G. Mounting Surface</b>	



*Custom sizes and finishes available upon request*