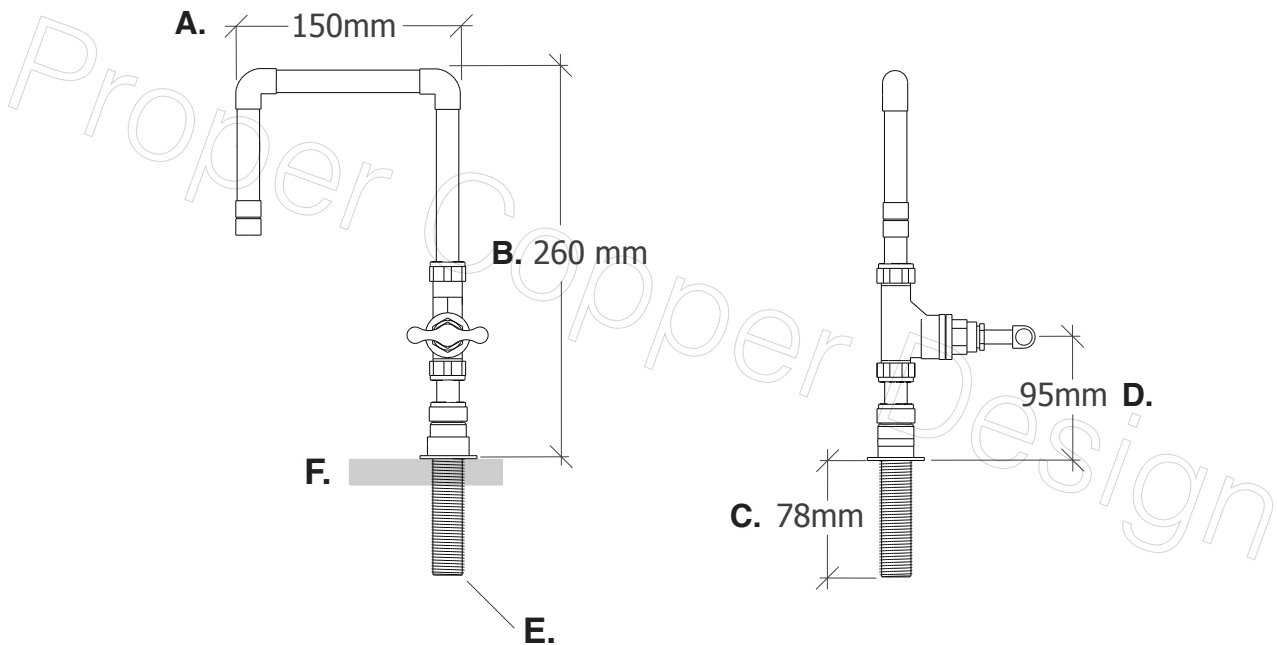


Name	Caspian Twins (15mm Pipe Diameter)
Function	Single Inlet Tap / Faucet
Material	Genuine Copper and Brass

<b>A. Total Projection</b>	150mm / 15cm / 5.90" Inches
<b>B. Total Height</b>	260mm / 26cm / 10.23" Inches
<b>C. Tap Tail to Surface</b>	78mm / 7.8cm / 3.07" Inches
<b>D. Surface to Tap Turn</b>	95mm / 9.5cm / 3.74" Inches
<b>E. Tap Tail Thread Diameter</b>	1/2" Inch
<b>F. Mounting Surface</b>	



*Custom sizes and finishes available upon request*