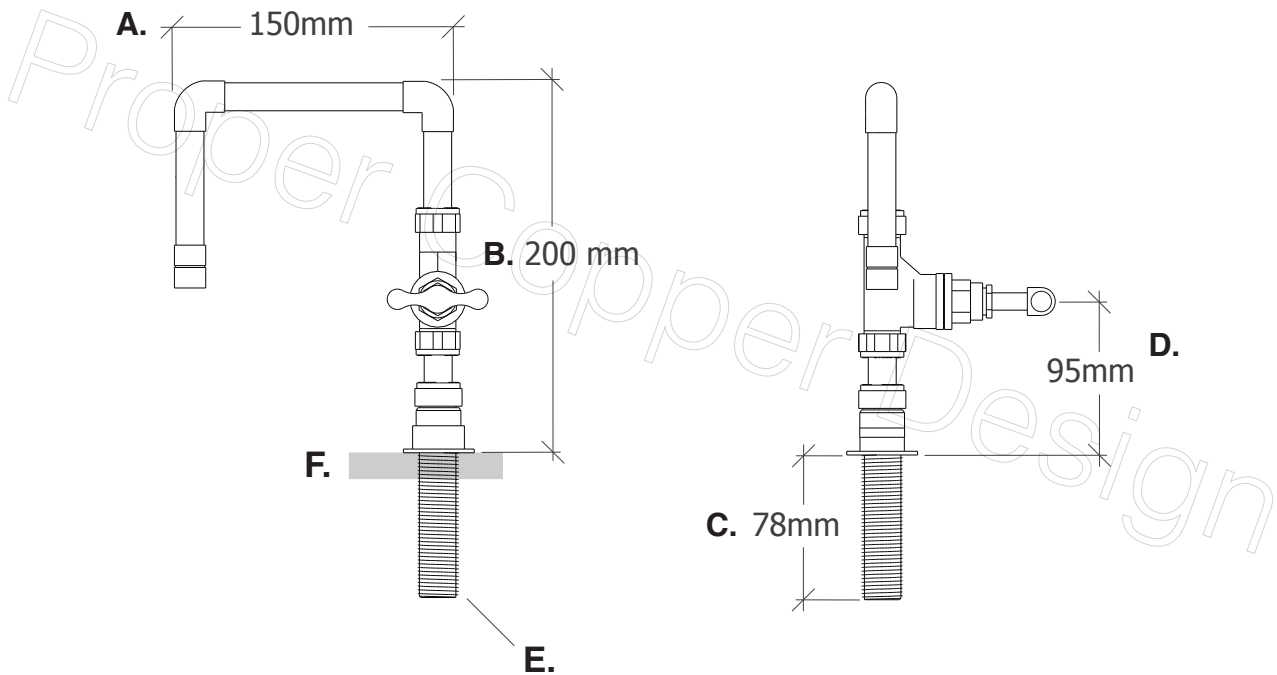




Name	Mini Caspian Twins (15mm Pipe Diameter)
Function	Single Inlet Tap / Faucet (Surface Mounted)
Material	Genuine Copper and Brass

A. Total Projection	200mm / 20cm / 7.87" Inches
B. Total Height	200mm / 20cm / 7.87" Inches
C. Tap Tail to Surface	78mm / 7.8cm / 3.07" Inches
D. Surface to Tap Turn	95mm / 9.5cm / 3.74" Inches
E. Tap Tail Thread Diameter	1/2" Inch
F. Mounting Surface	



*Custom sizes and finishes available upon request*