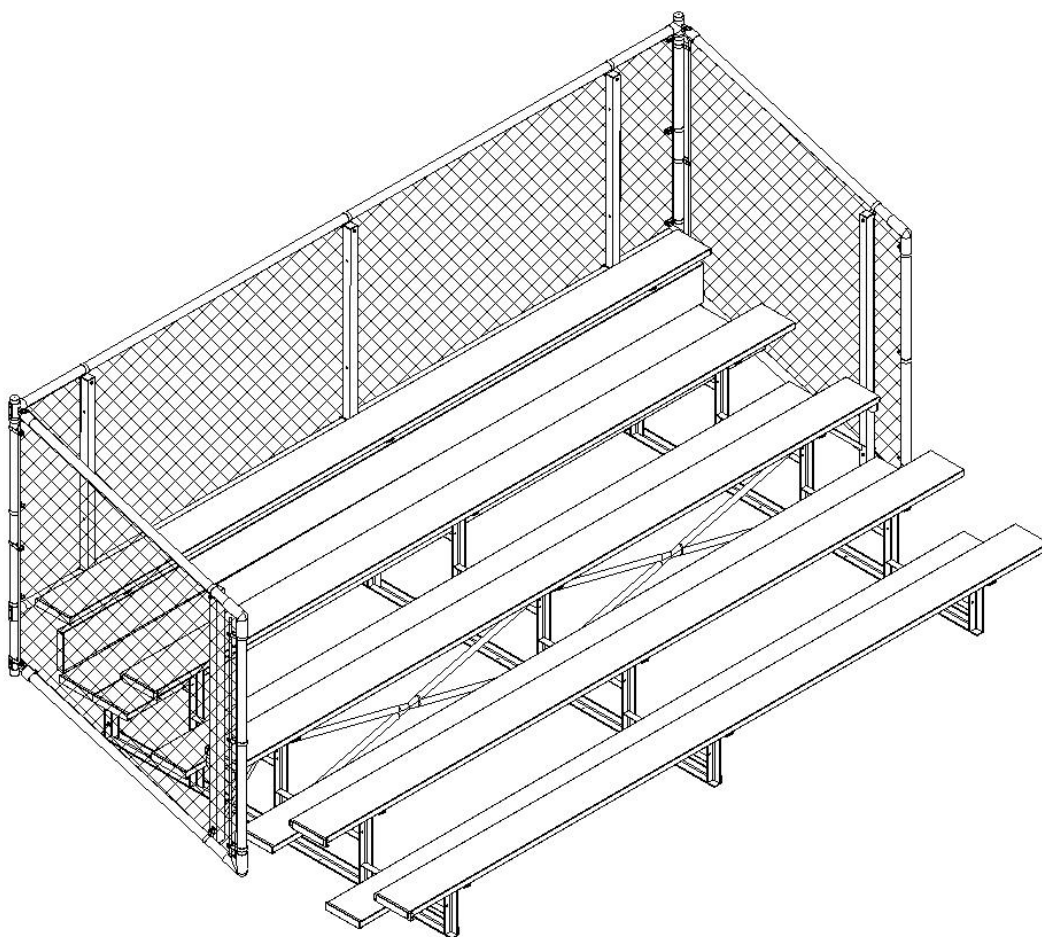




--- BLCH-5C / BLCH-521C / BLCH-527C ---  
(Five-Row Bleacher with Chain Link Enclosure)

Installation Instructions



Call Jaypro Sports Equipment at 1-800-243-0533 during  
regular business hours for technical support.

[www.jaypro.com](http://www.jaypro.com)

**\*\*\* Bleacher To Be Assembled by Qualified Personnel Only \*\*\***

**Note:**

- 1) Unpack all parts and check against parts list to ensure that all parts have been included.
  - 2) Inspect all parts for damage. Report any damages to the trucking company.
- These instructions are for assembling both a 15 ft, 21 ft & 27 ft wide, 5-row bleacher. The part quantities listed are for both bleachers.

**Part List**

Item #	Quantity	Part Number	Part Description
<b>SEATING COMPONENTS/HARDWARE</b>			
1	3/4/5	BLCH-5L	5-ROW BLEACHER LEG
2	4/6/8	BLCHX-76	X-BRACE x 76" L, 3 <sup>RD</sup> ROW
3	4/6/8	BLCHX-80	X-BRACE x 80" L, 5 <sup>TH</sup> ROW
4	11	AR5043/AR5052/AR5111	STADIUM SEAT PLANK 1 1/2" x 9 1/2" x 15'/21'/27'
5	63/84/113	AR5044	5/16" BOLT CLIP
6	22	AR5045A	SEAT PLANK END CAP
7	3/4/5	HB5030	5/16"-18 x 3" CARRIAGE BOLT, ZP
8	57/80/103	HB5054	5/16"-18 x 1-1/4" CARRIAGE BOLT, ZP
9	14/19/29	HN5042	3/8"-16 FLANGE HEX NUT, ZP
10	66/88/127	HN5046	5/16"-18 FLANGE HEX NUT, ZP
11	2/3/4	HS289	3/8"-16 x 2" HEX HD CAP SCREW, ZP
12	12/16/20	HS287	3/8"-16 x 1-1/4" HEX HD CAP SCREW, ZP
13	45	HS5035	#8 x 1/2" PHILLIPS PAN HD SCREW, SELF DRILL
<b>CHAIN LINK ENCLOSURE COMPONENTS/HARDWARE</b>			
14	2	BLCH-5-GR-N1	1.90" x .109" WALL x 55-7/8" LONG PIPE
15	4	BLCH-5-GR-N2	1.90" x .109" WALL x 60" LONG PIPE
16	2	BLCH-5-GR-N7	1.90" x .109" WALL x 67" LONG PIPE
17	2	BLCH-5-GR-N8	REAR RAIL PIPES 15' / 21' / 27' (ONE W/ & W/O HOLES)
18	3/4/5	GR-RP	GUARDRAIL BACK SUPPORT
19	2	BLCH5CUE-GRSP	GUARDRAIL SIDE SUPPORT
20	1	BLCH5CUE-CHN	PRE-FABRICATED CHAIN LINK PANEL GALVANIZED
21	2	BLCH-5-SC	PRE-FABRICATED 5' CHAIN LINK FENCE GALVANIZED
22	4	AF5010	ADJUSTABLE ELBOW
23	2	AF5011	CORNER FITTING
24	25/26/27	AF56	BRACE PIPE CLAMP
25	2	SF177A	TEE FITTING
26	2	SF186	ADJUSTABLE TEE
27	70/80/100	AF116	ALUMINUM FENCE RAIL TIE
5	12/16/20	AR5044	5/16" BOLT CLIP
28	26	EC0023	SOFT VINYL CAP
29	6/8/9	EP0018	2" x 2" BLACK SQUARE TUBE CAP
30	4	EP0019	2" ROUND CAP
31	12/16/20	EP0025	1/2" HOLE PLUGS
32	18	HB196	5/16"-18 x 1-1/4" CARRIAGE BOLT GALV. (CLAMPS)
33	6/8/10	HB4078	5/16"-18 x 1-1/2" CARRIAGE BOLT, ZP
8	7/8/9	HB5054	5/16"-18 x 1-1/4" CARRIAGE BOLT, ZP
9	3/4/5	HN5042	3/8"-16 FLANGE HEX NUT (LOWER RAIL PIPE)
10	20/24/28	HN5046	5/16"-18 FLANGE NUT, ZP (SUPPORTS)
34	18	HN807	5/16"-18 GALVANIZED HEX NUT
35	3/4/5	HS292	3/8"-16 HEX HEAD CAP SCREW, ZP (LOWER RAIL PIPE)
36	7/8/9	HS4089	5/16"-18 x 3" PAN HEAD SLOT SCREW, ZP (SUPPORTS)
37	7/8/9	HW2049	5/16" FLAT WASHER SAE, ZP (SUPPORTS)

## **\*\*\* Bleacher To Be Assembled by Qualified Personnel Only \*\*\***

### Important Notes

- Follow all warning signs and labels on equipment. Use of this equipment other than intended, may be hazardous.
- Before each use check equipment for proper connecting hardware and structural integrity of major components. Replace damaged or missing hardware immediately.
- This bleacher meets the guidelines set up for bleacher safety by the U.S. Consumer Product Safety Commission, Pub. No 330. Accordingly, rows 5 thru 10 have double foot planks and a back riser plank.
- Annual inspection and maintenance of bleachers is necessary to ensure continued safe use. Inspection and maintenance should be performed at the beginning of each season. Contact Jaypro to schedule a field maintenance visit from one of our highly trained specialists if you are unwilling or unable to perform the regular maintenance yourself.

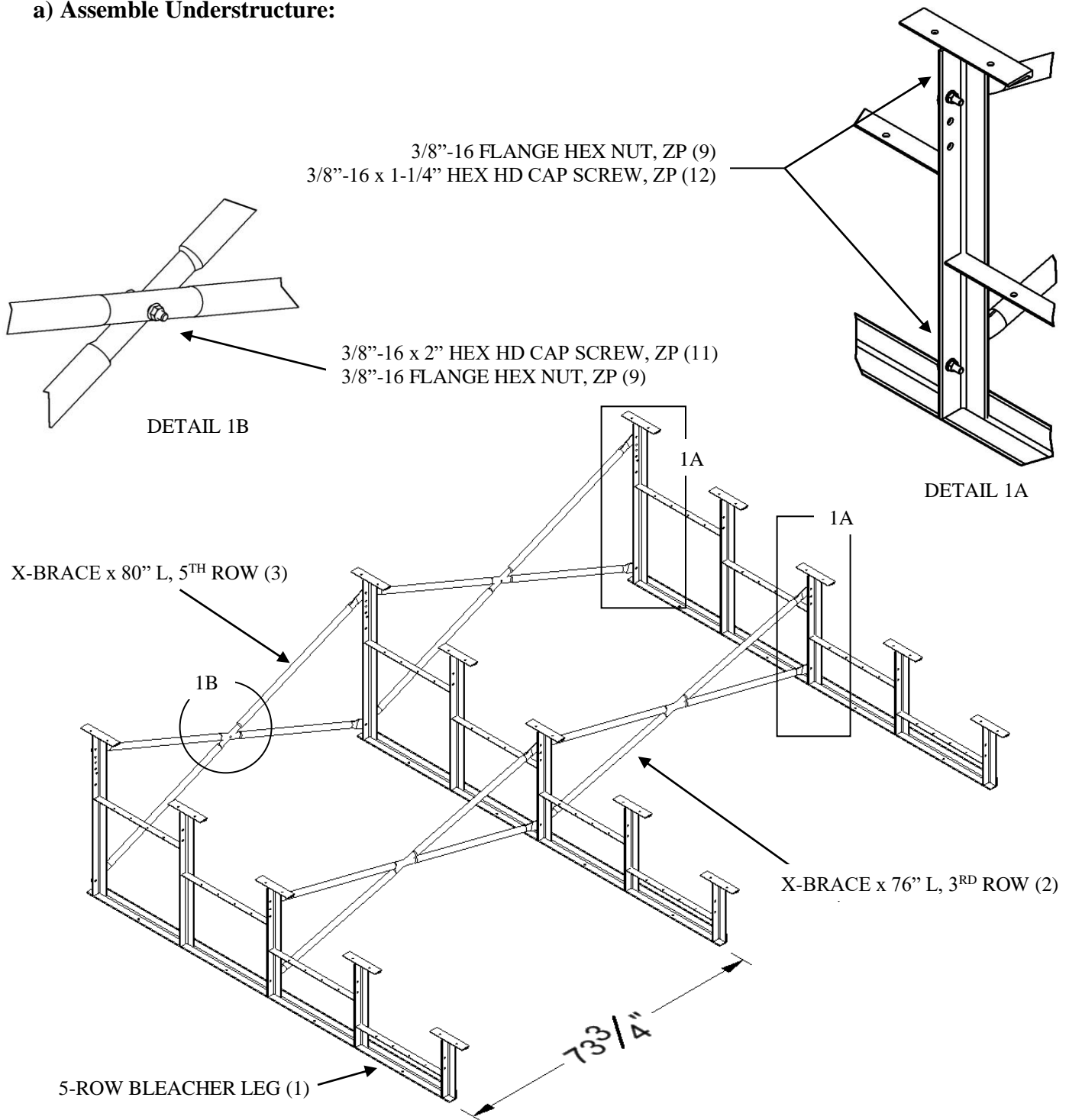
### Required Tools

- 1/2" and 9/16" Box Wrench
- 1/2" and 9/16" Socket Wrench
- 7/32" Hex Allen Wrench
- Electric Drill with Phillips Head Bit
- Rubber Mallet
- Needle Nose Pliers

### Important Installation Instruction Note

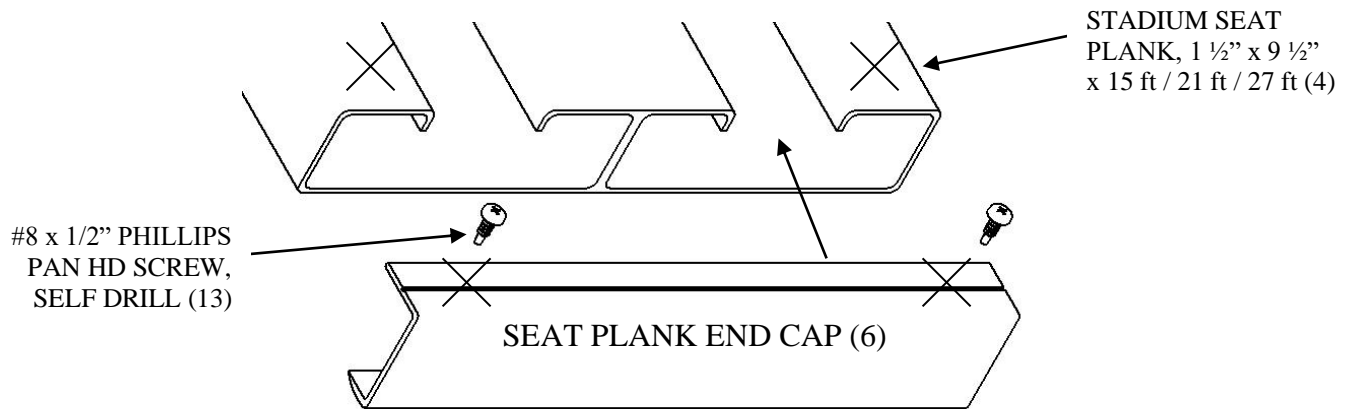
- 1) Bleacher must be located on flat firm ground, preferably on a concrete or crushed stone pad. When placed on bear ground it is recommended that bleacher be installed on treated 2"x 6" wood stringers.
- 2) These instructions are for assembling both a 15 ft, 21 ft & 27 ft wide, 5-row bleacher. The 15 ft bleacher has 3 frames while the 21 ft has 4 frames and 27 ft has 5 frames. This bleacher uses two different length braces. Brace lengths are measure from hole to hole.

**a) Assemble Understructure:**



- 1) Assemble the lower 5-Row frame. Lay out 3, 4 or 5 of the 5-row frames (1) roughly 6 ft apart. Attach the 76" cross-bracing (2) to the third row vertical of each frame using the hardware shown in Detail 1A. Attach the 80" cross-bracing (3) to the rear support member, using the top and bottom holes. Use hardware as shown in Detail 1B (tighten hardware only finger tight until entire base frame is assembled). Ensure that the overall frame is square and all frame sections are in-line and then securely tighten all hardware.

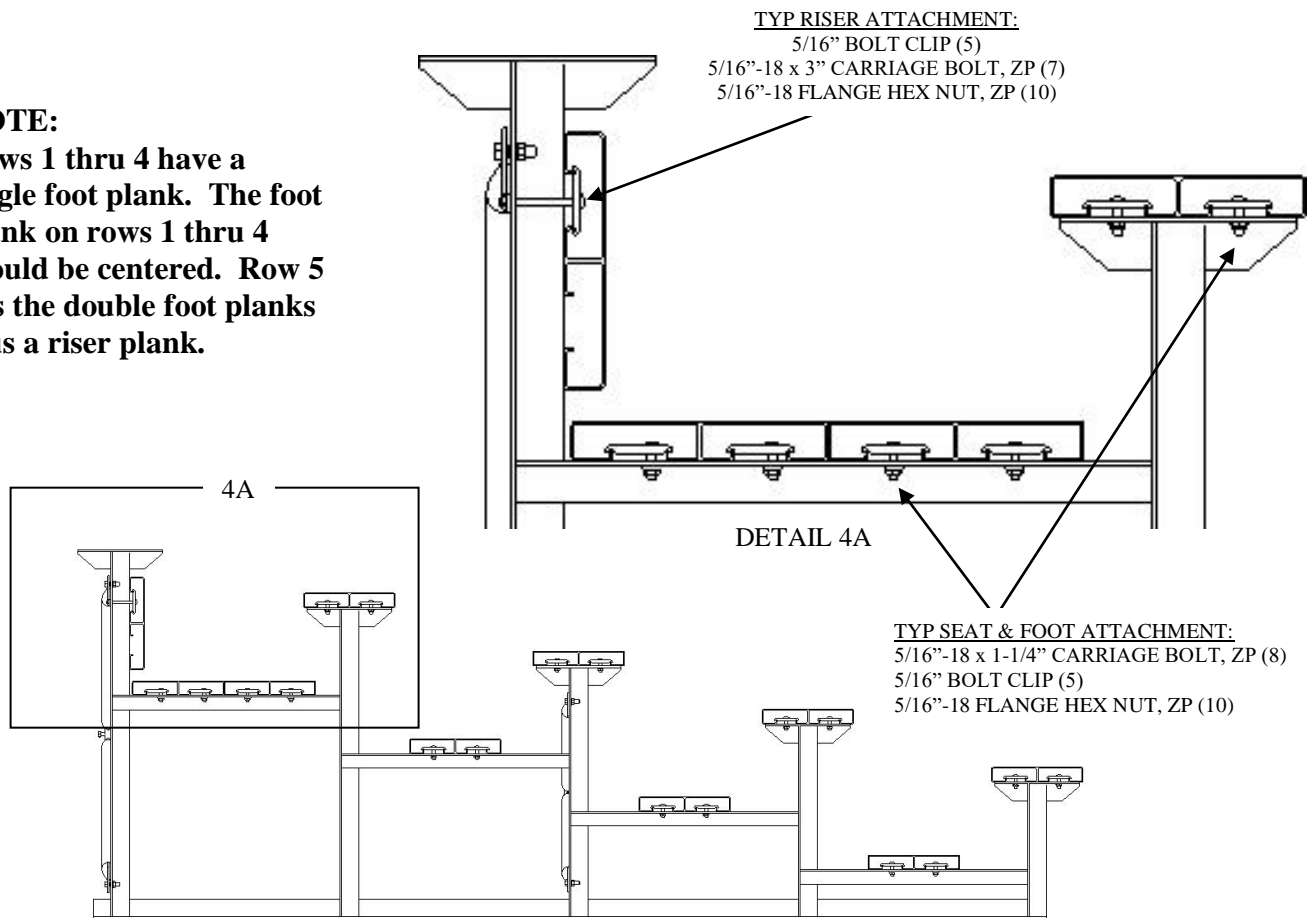
**b) Install Seating, Foot and Riser Planks:**



- 1) Install safety end caps on each end of all planks as shown above. Lightly tap end cap onto plank using a rubber mallet.

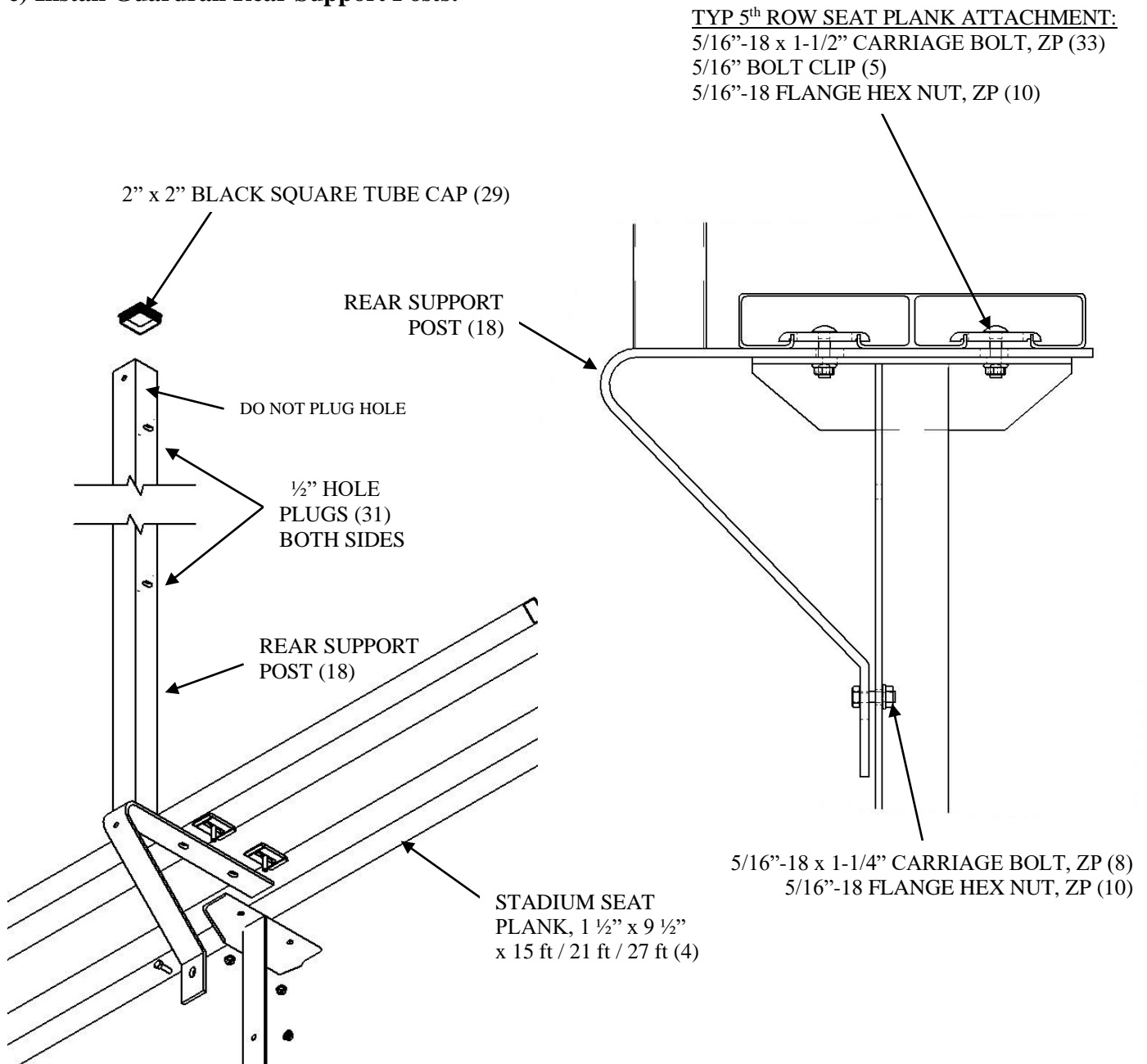
**NOTE:**

Rows 1 thru 4 have a single foot plank. The foot plank on rows 1 thru 4 should be centered. Row 5 has the double foot planks plus a riser plank.



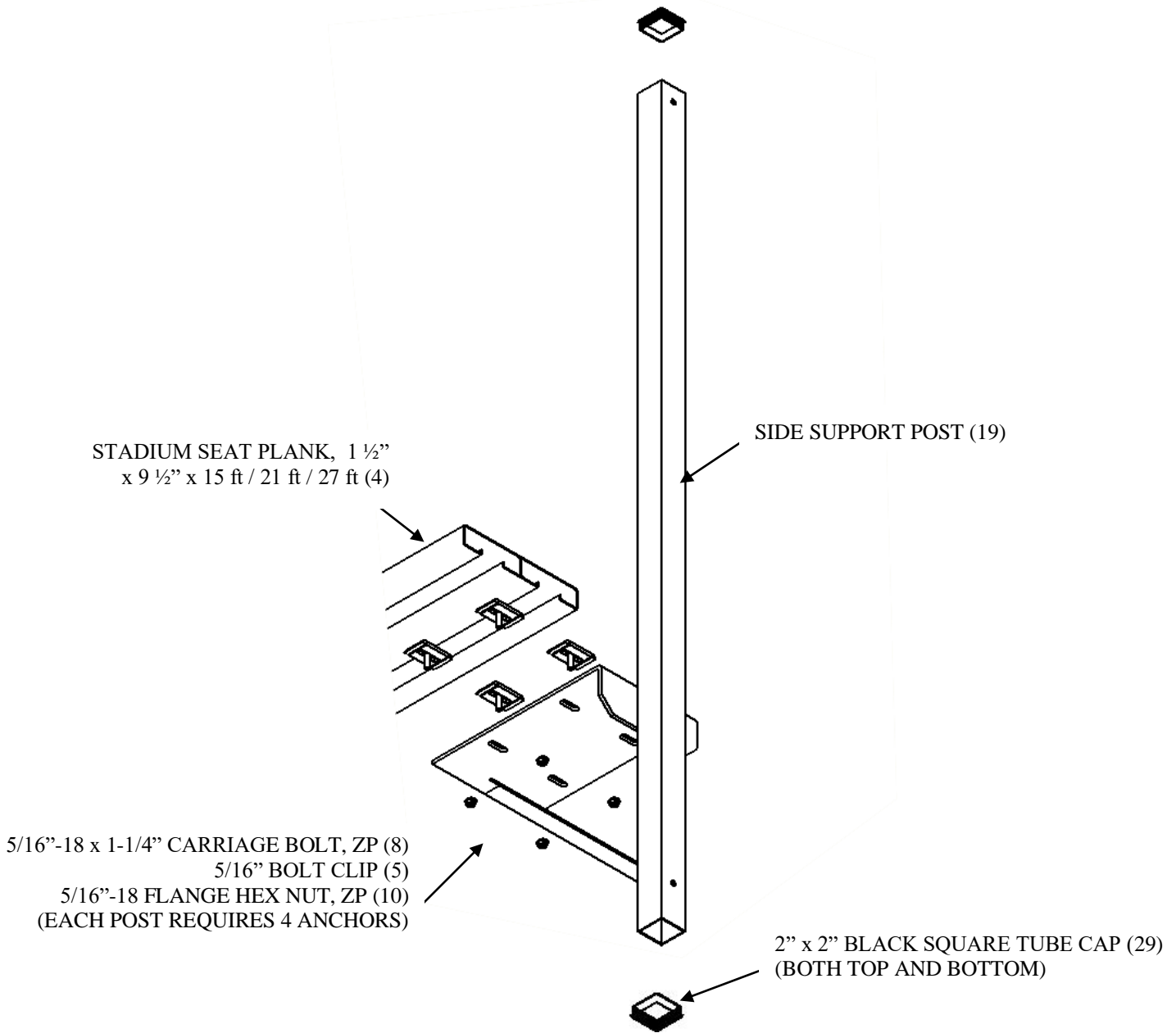
- 2) Working backwards from the first row, install all seating planks and foot planks as shown in Detail 4A. Ensure that all planks are center on the understructure frame, making sure the overhang on each end is an equal distance.
- 3) Install a riser plank on rows 5.
- 4) Do not anchor the 5th row seat plank at this point.

**c) Install Guardrail Rear Support Posts:**



- 1) Install all hardware anchoring to the top seat plank (fifth row), if not already done. Insert mounting flange for guardrail back support (18) between seat plank and frame. Install anchoring hardware as shown above - tighten only finger tight.
- 2) Install the hardware securing the vertical mounting flange of the guardrail back support (18) to the frame as shown above. Drill a 3/8" hole in the vertical frame member if needed.
- 3) Install remaining guardrail back supports (18) repeating steps 1 and 2.
- 4) Insert the top cap (29) in the top of each back support (18).
- 5) Insert plastic plugs (31) to plug the unused holes in the back support (18) as shown above.

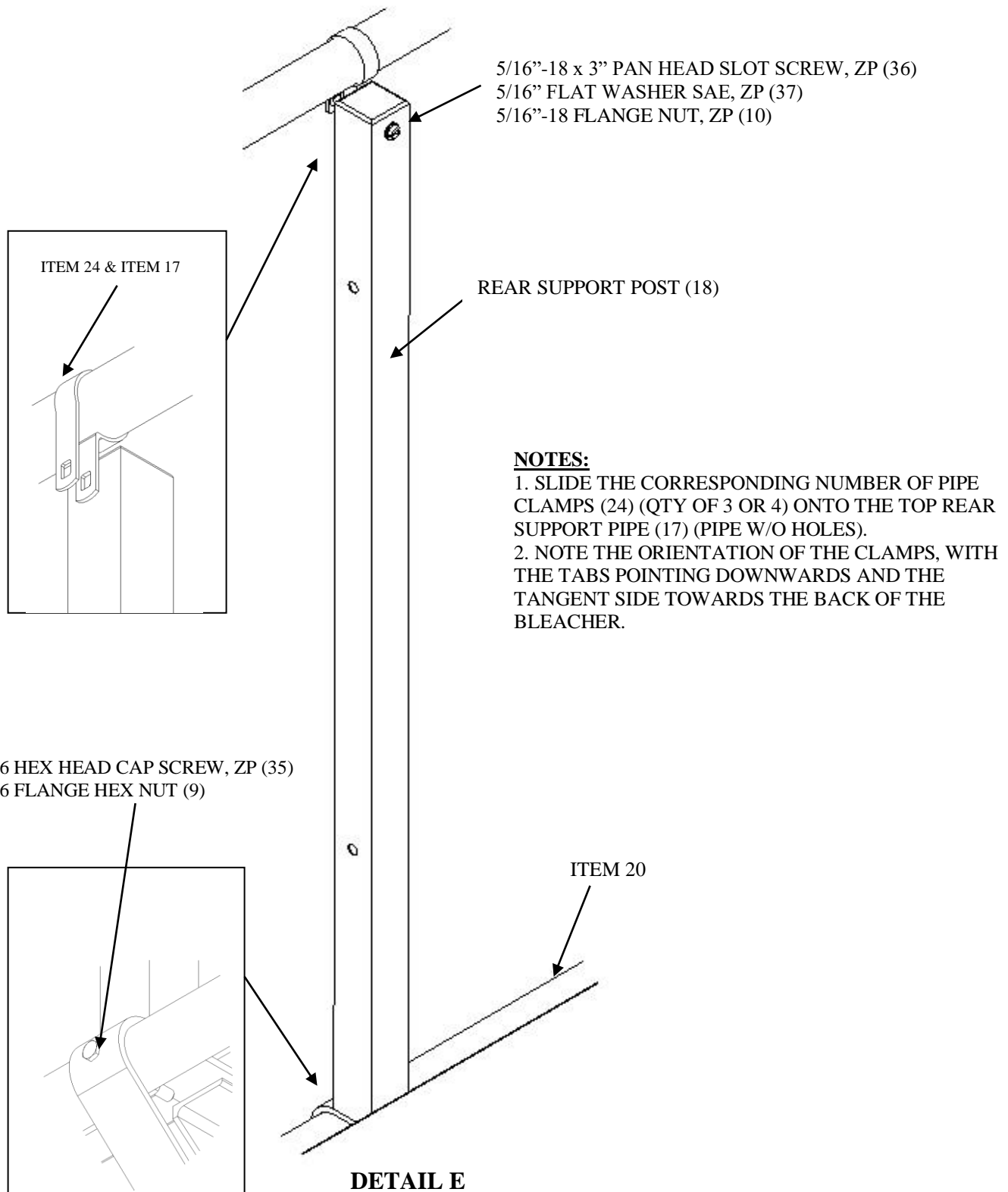
**d) Install Guardrail Side Supports:**



**DETAIL D**

- 1) Attach one guardrail side support (19) to the underside of the third seat plank, using the hardware shown in Detail D. Leave hardware finger tight to allow for future adjustment.
- 2) Install plastic cap (29) in the top and bottom of the vertical support.
- 3) Repeat step 1 for the other side of bleacher.

**e) Install Rear Support Pipes:**

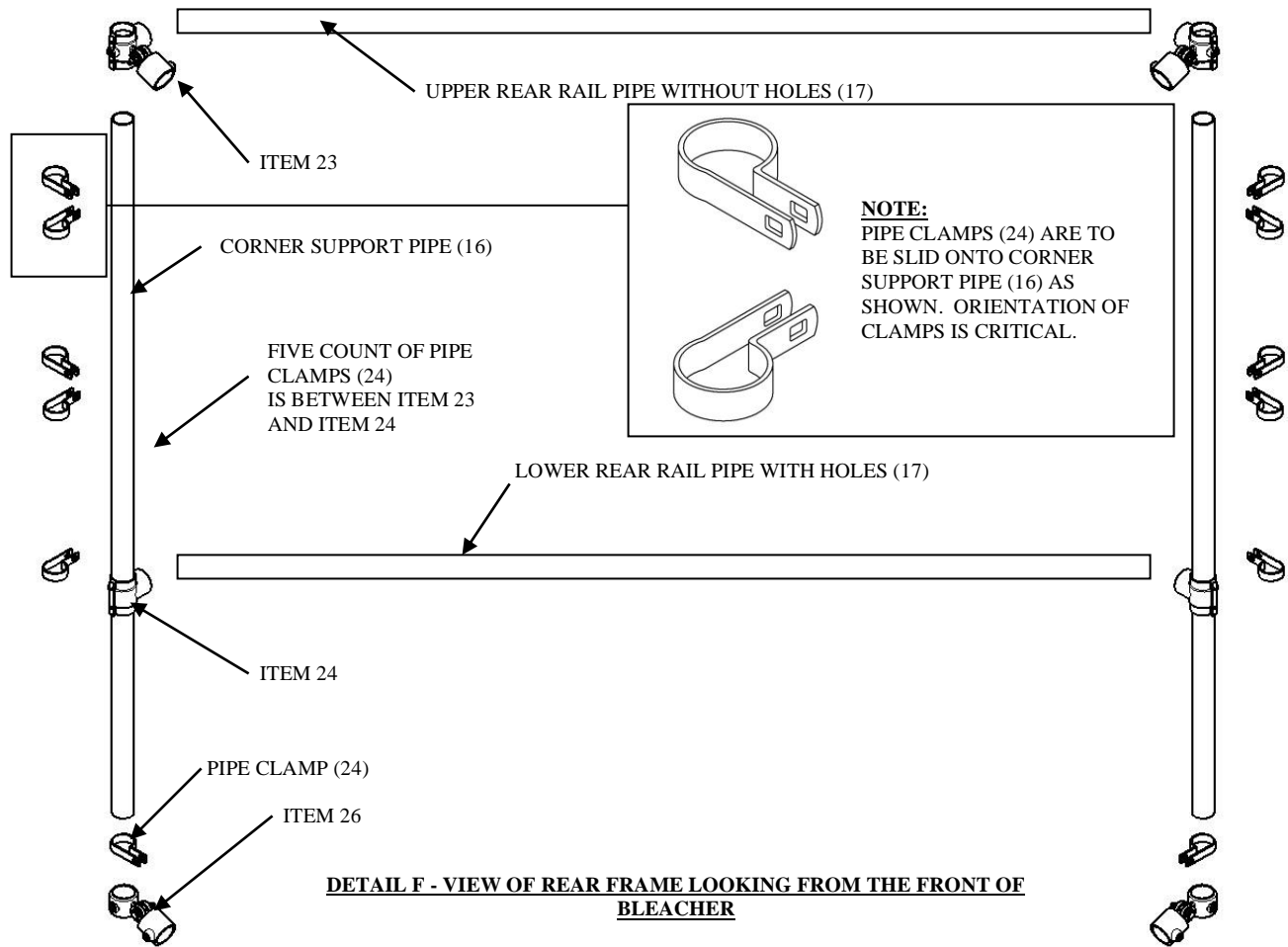


- 1) Slide 3 or 4 pipe clamps (24) onto the top rear support pipe (17), (pipe without holes). Pay special attention to the orientation of the pipe clamps with respect to the tabs. The bottom pipe will have the tabs pointing up and the top pipe will have the tabs pointing down. In all cases, the tangent side will be towards the support. (see detail above)

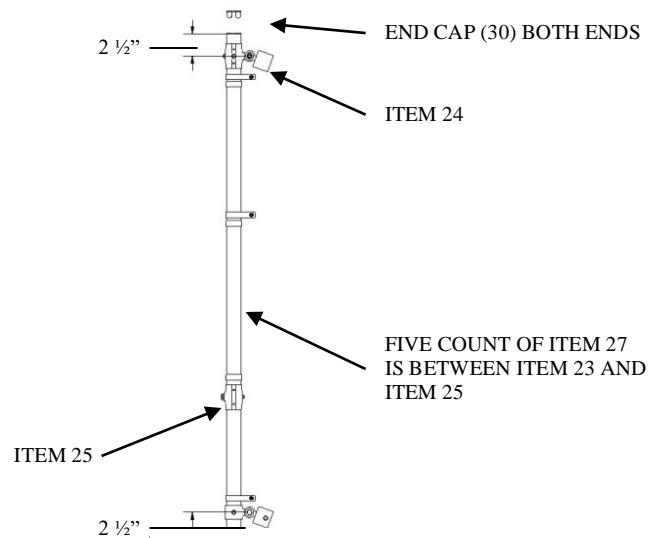
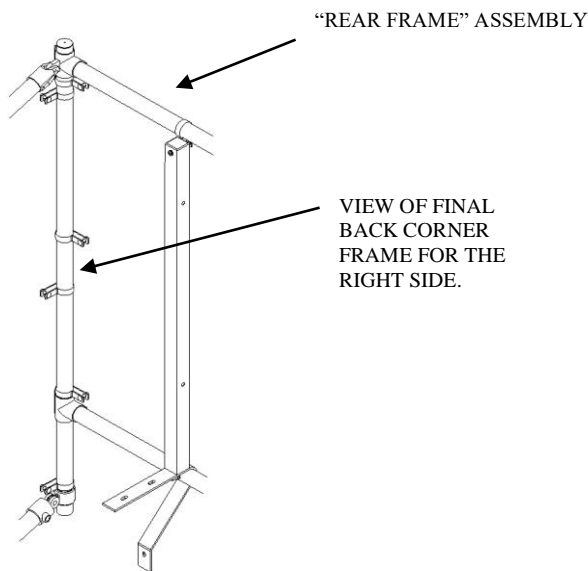


- 2) Attach the top rear support pipe (17) using hardware as shown in Detail E. Position top support pipe so it is centered on bleacher and equal distance from each edge or end back supports.
- 3) Slide lower rear support pipe (17), (pipe with holes) through the bottom brackets of each back support (18). Line up holes in bracket and install hardware as shown in Detail E (if holes do not line up, new holes will need to be drilled, use 7/16" drill bit).

**f) Assemble Rear Corner Pipe:**



- 1) Assemble the rear corner support pipes as shown. Slide the corresponding pipe clamps and fittings onto the corner support pipe (16), 67" long. Pay special attention to the orientation of the pipe clamps (24). Temporarily secure the fittings in place by lightly tightening the setscrews. Mirror the assembly for the other side of the enclosure.



- 2) Attach the corner assembly onto the back support pipes as shown above. Make necessary adjustments to the fittings (23, 25) to fully assemble. Adjust the vertical position of the corner pipe (16) to achieve the dimensions shown. (Top of pipe to center of corner fitting is 2 1/2") and the bottom of pipe to center of adjustable tee is 2 1/2"). Fully tighten all screws in fittings (23, 25).
- 3) Install pipe cap (30) in the top of the corner pipe (16).
- 4) Repeat step for other side.

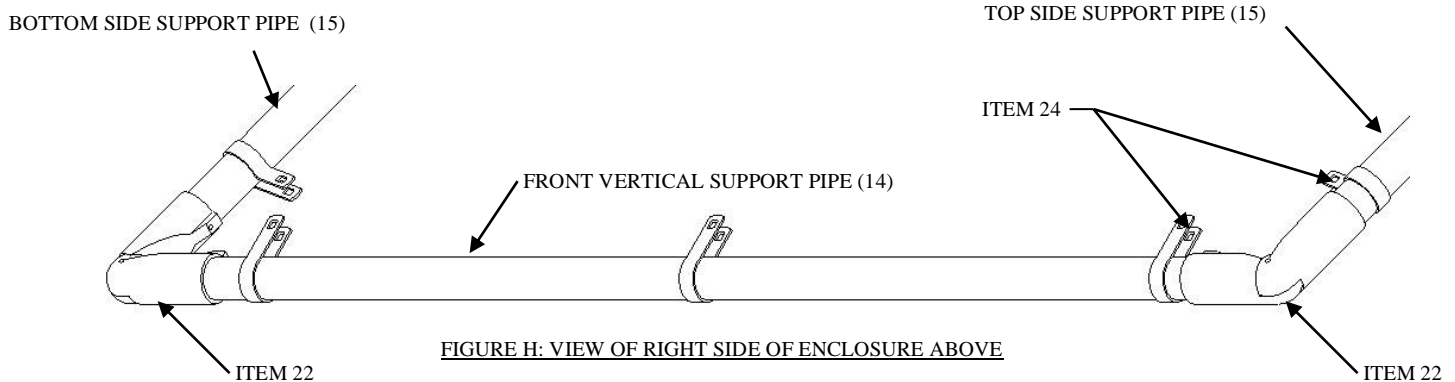
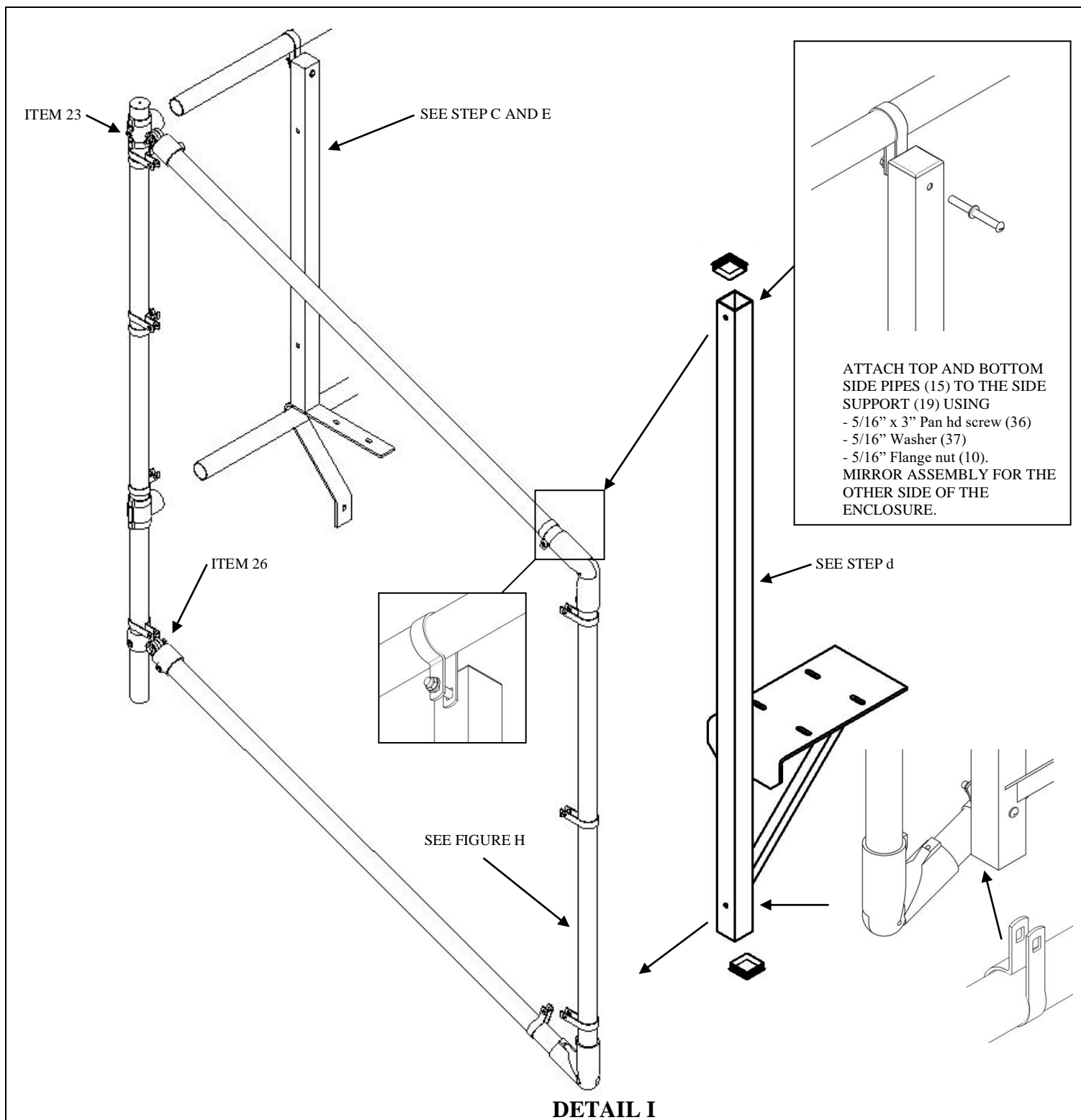


FIGURE H: VIEW OF RIGHT SIDE OF ENCLOSURE ABOVE

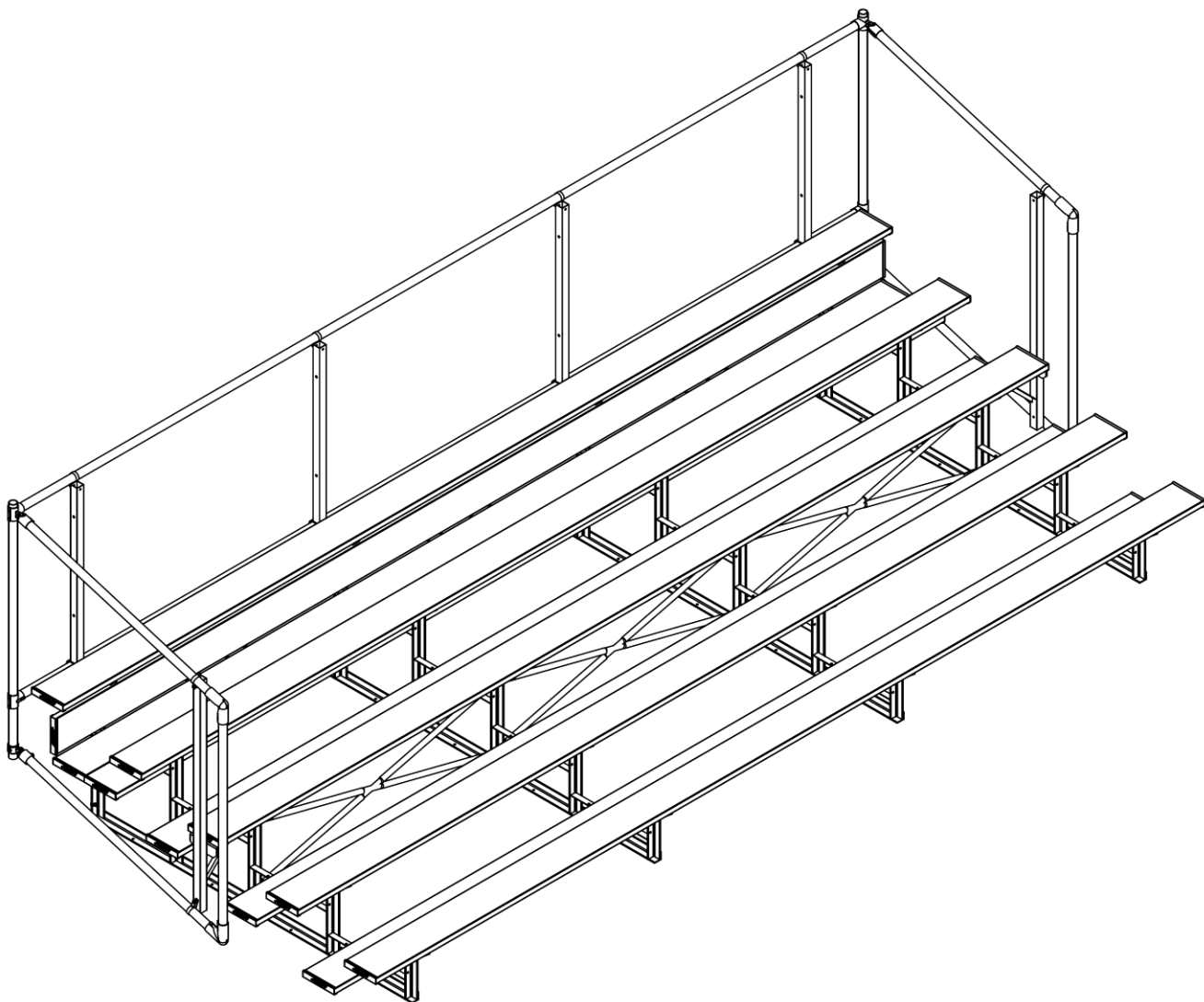
**g) Assemble Side Frames:**

- 1) Layout one 55-7/8" (14) and two 60" (15) long pipes as shown in figure H. Slide three pipe clamps (24) onto the 55-5/8" (14) pipe as shown. Slide one pipe clamp (24) onto each of the 60" (17) pipes as shown. Pay special attention to the orientation of the pipe clamps with respect to the tangent side – orient pipe clamps on the vertical pipe (14) with the tangents to outside of bleacher, and orient pipe clamps on the top and bottom pipes to the inside of the bleacher.
- 2) Insert all three pipes into the two adjustable hinge fittings (22) as shown. Loosen the setscrew in the hinge as needed to assemble. Tighten the setscrews securing the fittings to the pipes.
- 3) Repeat step for the other side.

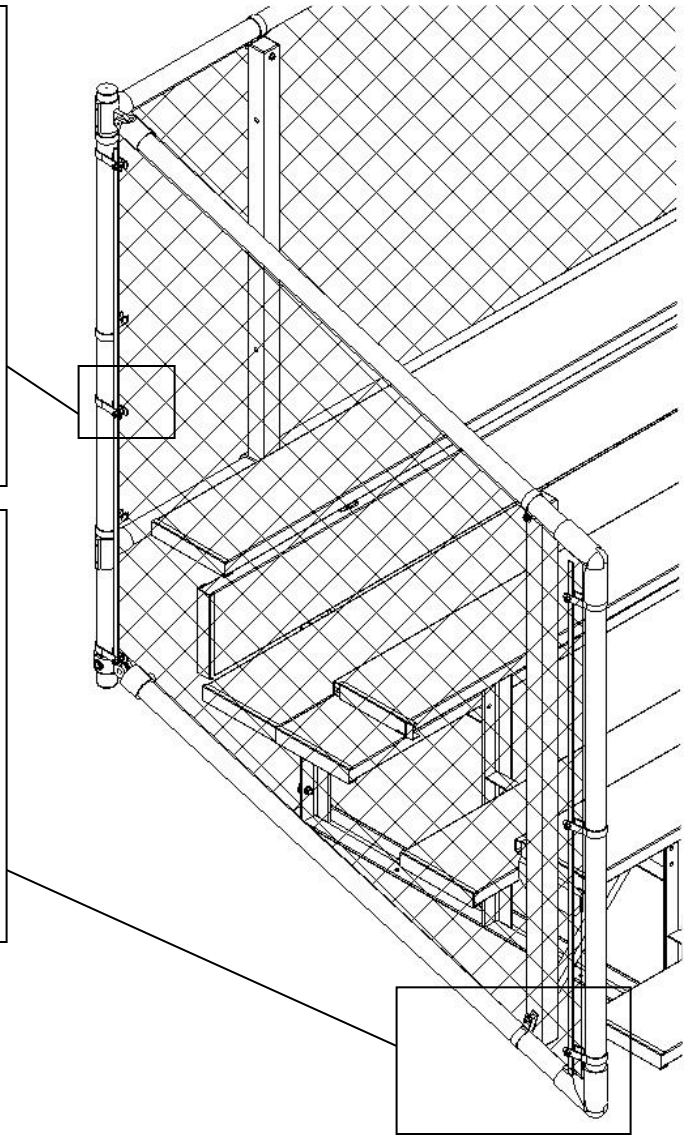
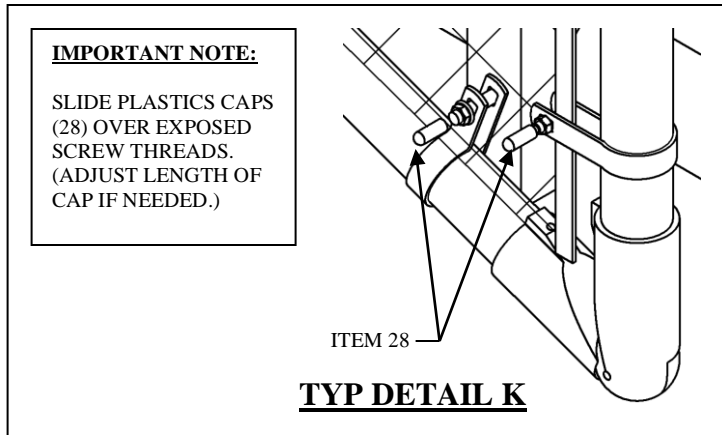
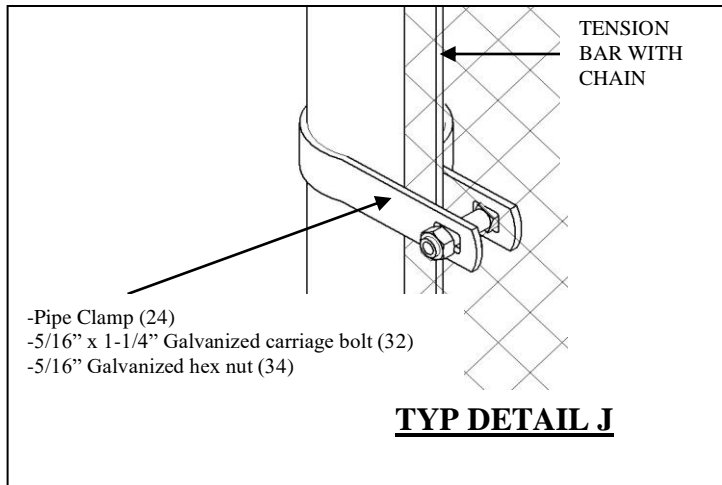


**h) Install the Side Frames:**

- 5) Insert the top and bottom pipes of the side frame into the hinge fittings (23, 26) attached to the corner assembly.
- 6) Attach both clamps that are on the top and bottom pipes of the side frame to the guardrail side support (19) using hardware as shown in Detail I.
- 7) Tighten all hardware and setscrews.
- 8) Repeat steps for the other side.

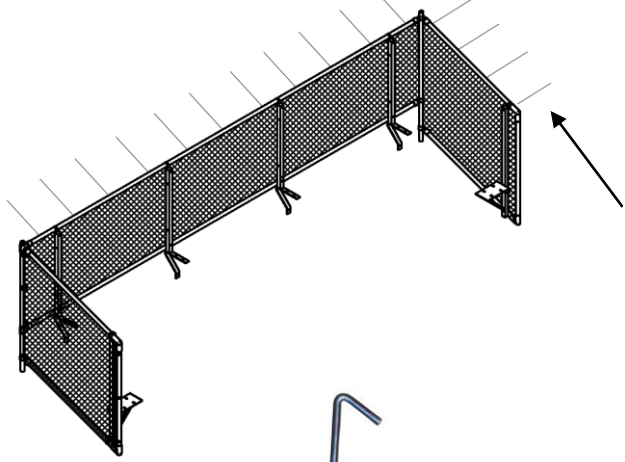


**Once the enclosure frame is fully assembled and all pipes are aligned and square, tighten all setscrews.  
(21 ft Bleacher Shown Above)**

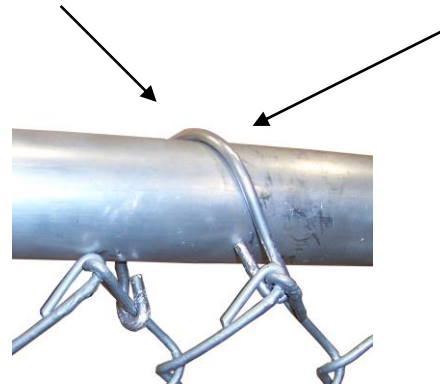


**i) Install Chain Link Panels:**

- 1) Attach the pre-fabricated rear chain link panel (20) to the assembled framework. Start at one end and attach to the three pipe clamps (24) as shown in Detail "J". Stretch panel and connect on opposite end, the same as Detail "J", you may have to use a pipe for leverage to stretch.
- 2) Attach the pre-fabricated side chain link panels (21) to the side frames. Attach as shown on Detail "J". Stretch panel as needed and connect on opposite end.
- 3) Slide plastic caps (28) over the exposed screw threads as shown in Detail "K".
- 4) Secure the top and bottom edges of the chain link to the support pipes using the aluminum rail ties (27) as shown in Detail "L". Rail ties should be spaced approximately every 18". For best results; using a needle nose pliers, place a bend in the tie approximately 1/2" from the straight end. Crimp this end over one leg in the edge of the chain link. Securely wrap the tie around the support pipe and crimp the pre-bend end over and adjoining leg of the chain link.



RAIL TIES  
TYP FOR  
TOP AND  
BOTTOM  
OF PIPES

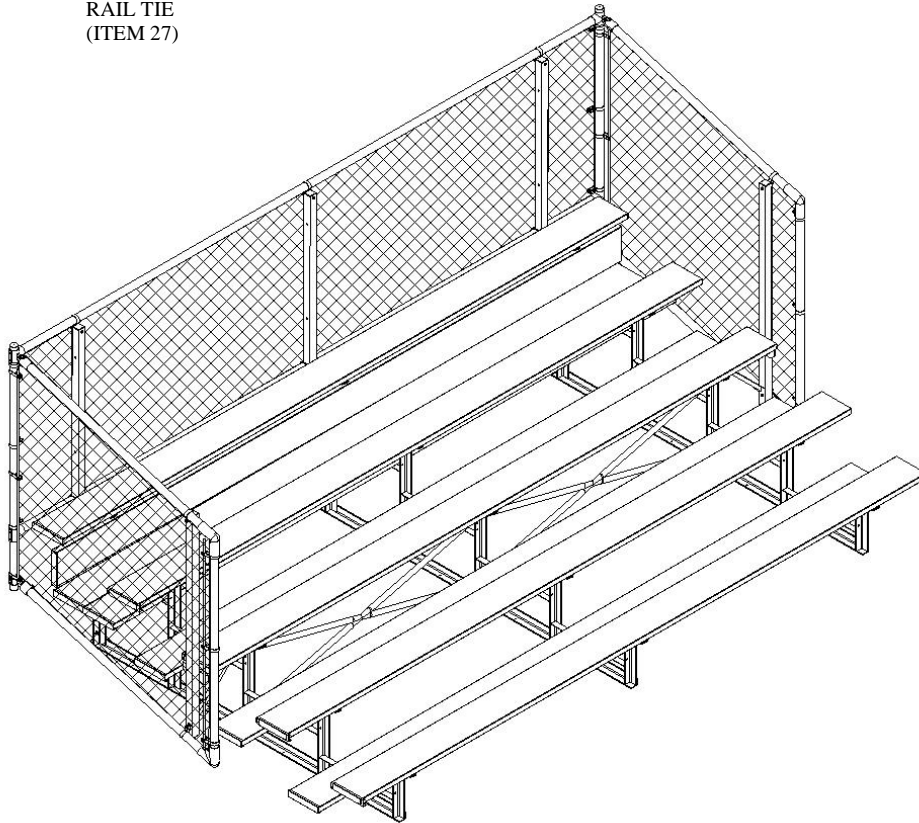


**TYP DETAIL L**

ATTACH RAIL TIE (27)  
AROUND  
TWO LEGS OF THE CHAIN LINK  
WRAPPING TIGHTLY AROUND  
SUPPORT PIPE



RAIL TIE  
(ITEM 27)



Call Jaypro Sports Equipment at 1-800-243-0533 during  
regular business hours for technical support.

[www.jaypro.com](http://www.jaypro.com)

--- BLCH-5C / BLCH-521C / BLCH-527C---  
(Five-Row Bleacher with Chain Link Enclosure)  
Installation Record

**Installer** - please provide the following information and fax a copy to (860) 440-0628:

Installer Name:	_____
Phone #:	_____
Date:	_____

G. C. Name:	_____
Phone #:	_____

Facility Name: (in which this system was installed)	
Address:	_____
	_____
	_____
Contact Name: (facility representative)	
Phone #:	_____

Call Jaypro Sports Equipment at 1-800-243-0533 during  
regular business hours for technical support.

[www.jaypro.com](http://www.jaypro.com)

[This is the final page and the end of the installation portion of this manual.]