

# BLCH-421AL

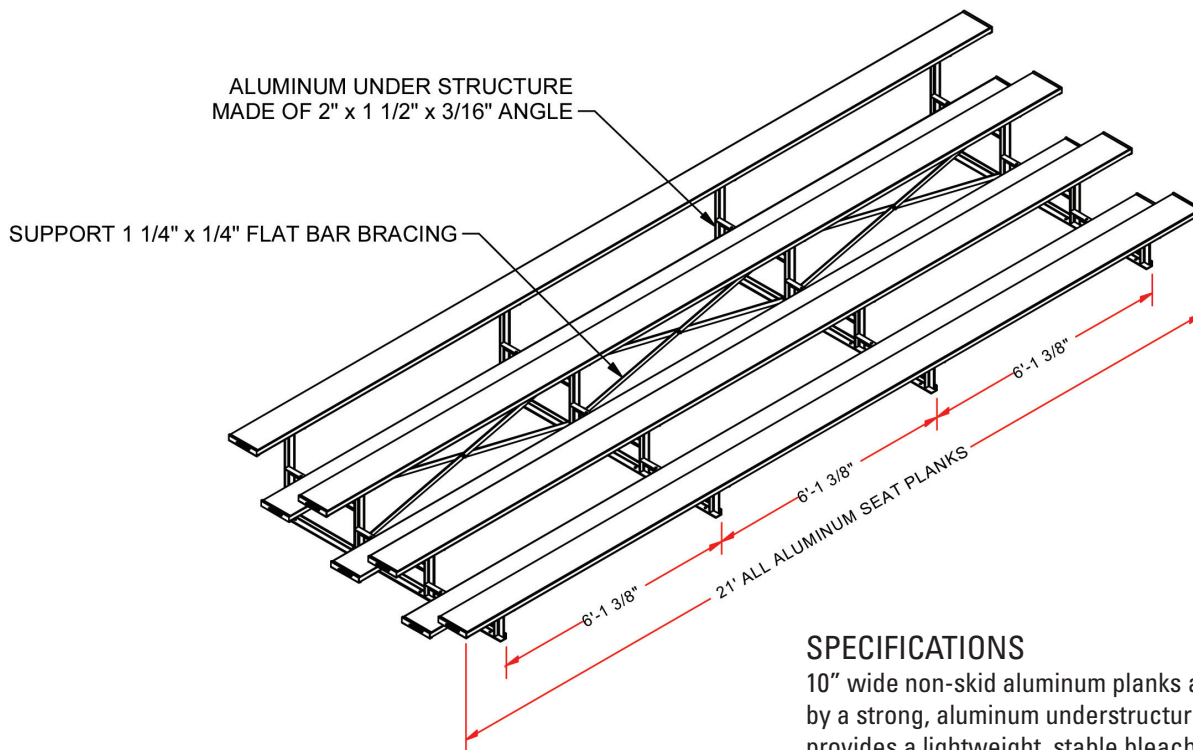
## 21' ALUMINUM BLEACHER



**BLCH-421AL: 21' Standard**

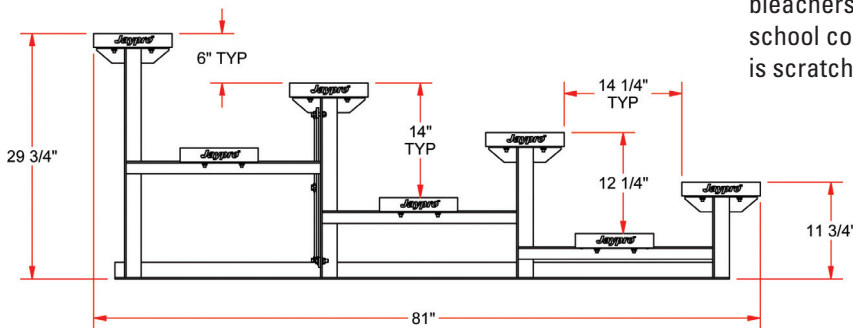


**BLCH-421ALPC: 21' Powder Coated**



### SPECIFICATIONS

10" wide non-skid aluminum planks are supported by a strong, aluminum understructure that provides a lightweight, stable bleacher. Jaypro bleachers are available powder coated in team or school colors - a durable and attractive finish that is scratch resistant and long lasting.



| REV. | DESCRIPTION     | DATE | BY |
|------|-----------------|------|----|
| -    | INITIAL RELEASE | 1/11 | MT |
|      |                 |      |    |
|      |                 |      |    |

COPYRIGHT 2006  
JAYPRO SPORTS, LLC  
ALL RIGHTS RESERVED

**BLCH-421AL**  
21' ALUMINUM BLEACHER

THIS PRINT IS THE PROPERTY OF JAYPRO SPORTS, LLC  
AND MAY NOT BE REPRODUCED WITHOUT WRITTEN PERMISSION

[www.jaypro.com](http://www.jaypro.com)  
976 HARTFORD TURNPIKE  
WATERFORD, CT 06385 USA

|   |                         |
|---|-------------------------|
| DRAWING NAME / PART NO.:<br><b>BLCH-421AL</b> |                         |
| DRAWN BY:<br><b>MT</b>                        | CHK'D BY:<br><b>WVB</b> |
| ISSUE DATE:<br>1/25/11                        |                         |
| SHEET:<br>1 OF 2                              | REV.<br>-               |



**PLEASE CHECK  
COLOR SELECTION  
FOR PLANKS**

- ORANGE
- DARK GREEN
- GOLD
- WHITE
- MAROON
- YELLOW
- BLACK
- GREY
- NAVY BLUE
- RED
- KELLY GREEN
- ROYAL BLUE
- NONE

**PLEASE CHECK  
COLOR SELECTION  
FOR UNDERSTRUCTURE**

- ORANGE
- DARK GREEN
- GOLD
- WHITE
- MAROON
- YELLOW
- BLACK
- GREY
- NAVY BLUE
- RED
- KELLY GREEN
- ROYAL BLUE
- NONE

|   |                 |      |    |  |   |                          |            |
|---|-----------------|------|----|--|---|--------------------------|------------|
| REV.  | DESCRIPTION     | DATE | BY | <b>BLCH-421AL</b><br>21' ALUMINUM BLEACHER   | <br><b>www.jaypro.com</b><br>976 HARTFORD TURNPIKE<br>WATERFORD, CT 06385 USA | DRAWING NAME / PART NO.: |            |
| -   | INITIAL RELEASE | 1/11 | MT |  |   | <b>BLCH-421AL</b>        |            |
|   |                 |      |    |  |   | DRAWN BY:                | CHK'D BY:  |
|   |                 |      |    |  |   | <b>MT</b>                | <b>WVB</b> |
| COPYRIGHT 2006<br>JAYPRO SPORTS, LLC<br>ALL RIGHTS RESERVED |                 |      |    | THIS PRINT IS THE PROPERTY OF JAYPRO SPORTS, LLC<br>AND MAY NOT BE REPRODUCED WITHOUT WRITTEN PERMISSION | ISSUE DATE:   |                          |            |
|   |                 |      |    |  | 1/25/11   |                          |            |
|   |                 |      |    |  | SHEET:  | REV.                     |            |
|   |                 |      |    | 2 OF 2   | -   |                          |            |