



Use Zone: 22' x 28'



Age Group: 5-12

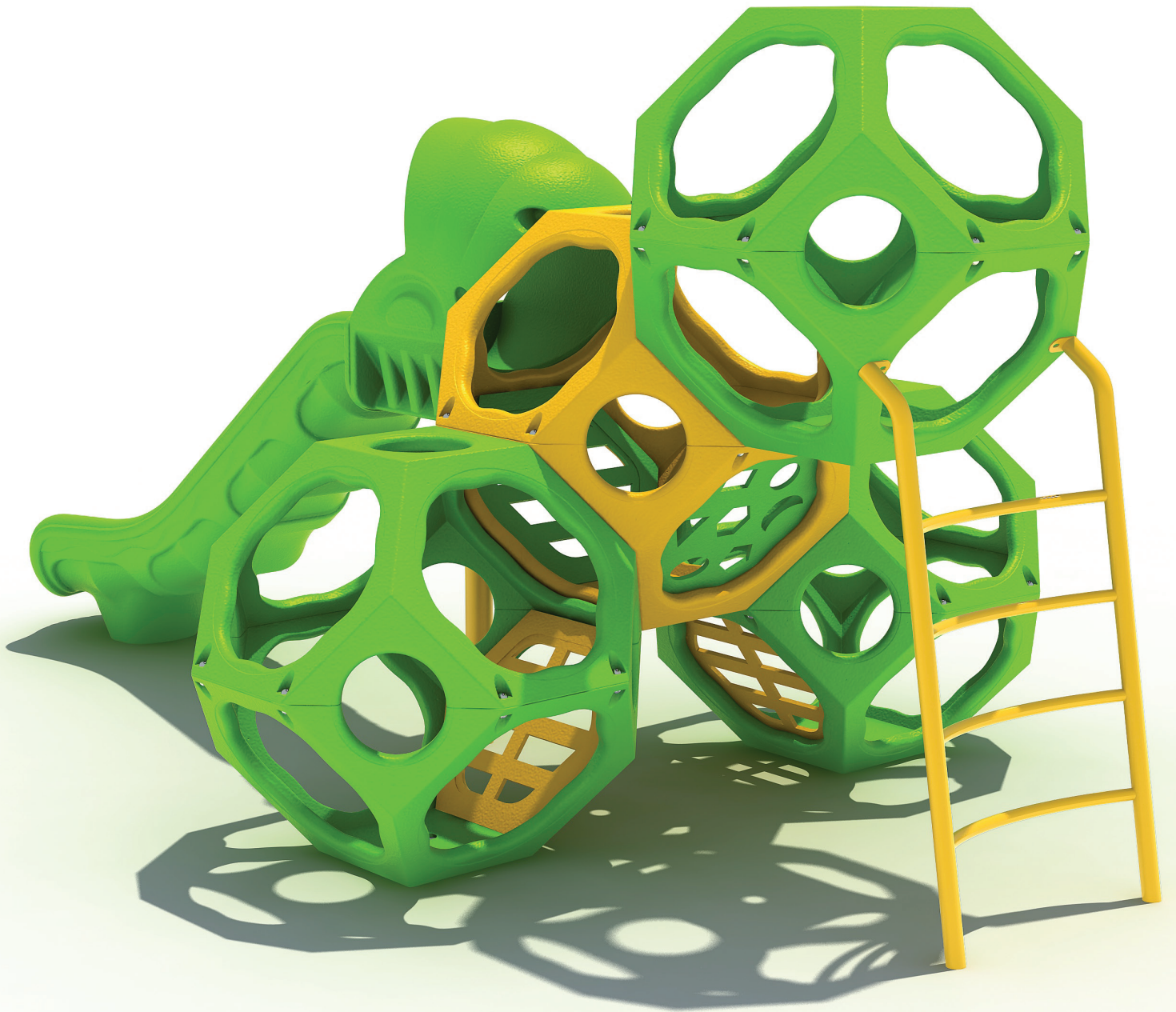


Occupancy: 6-10

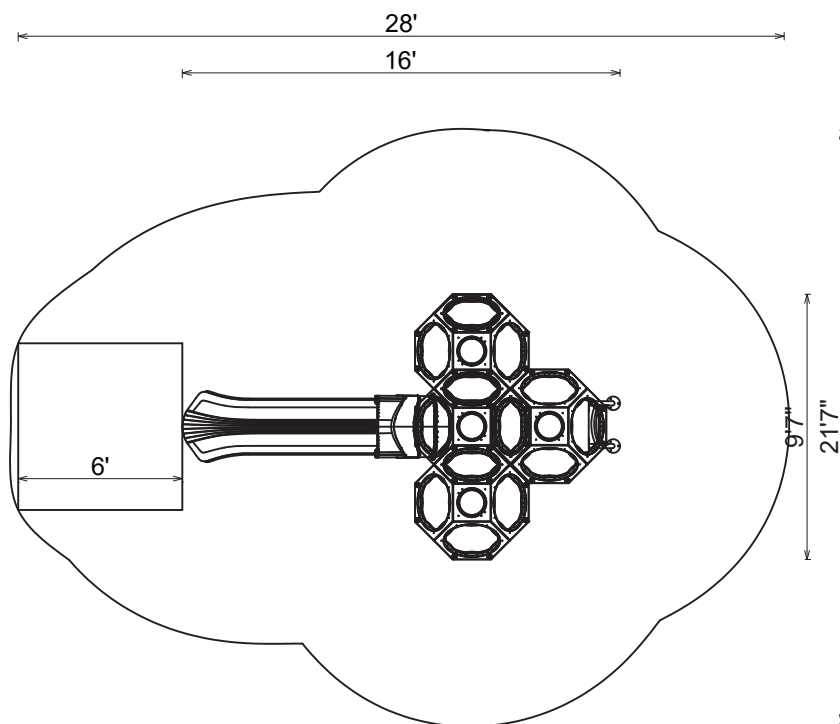


Free Shipping!

**COMPONENTS:**







Drawing#: iK-2009 FS-31655 zh190602-06-2b

**Notes:**

This play structure design meets ADA accessibility guidelines established in ASTM-1487 and CPSC guidelines. All playground equipment should be installed over ADA accessible safety surfacing

Critical Fall Height **96"**

Structure Size:**9'7"X16'X8'**

Use Zone: **21'7"X28'**

Surface Area: **616 sq ft**

Child Capacity: **6-10**

Age Range: **5-12**

Post Diameter: **.**

Weight: **520** LBS

Color Information:

Posts:**None**

Metal Rails: **Yellow**

Climber: **Yellow/Lime Green**