

Use Zone: 22' x 28'



Age Group: 5-12

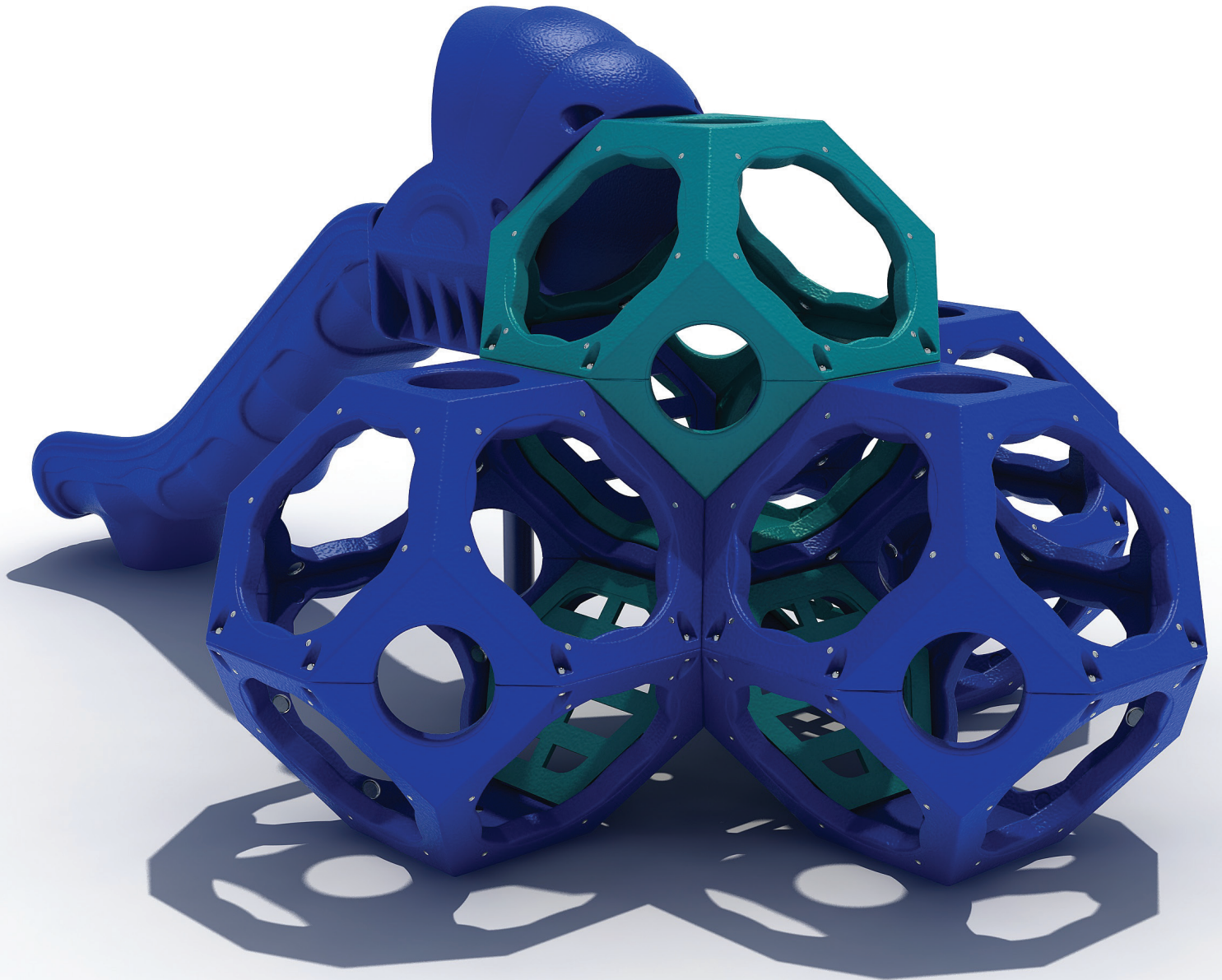


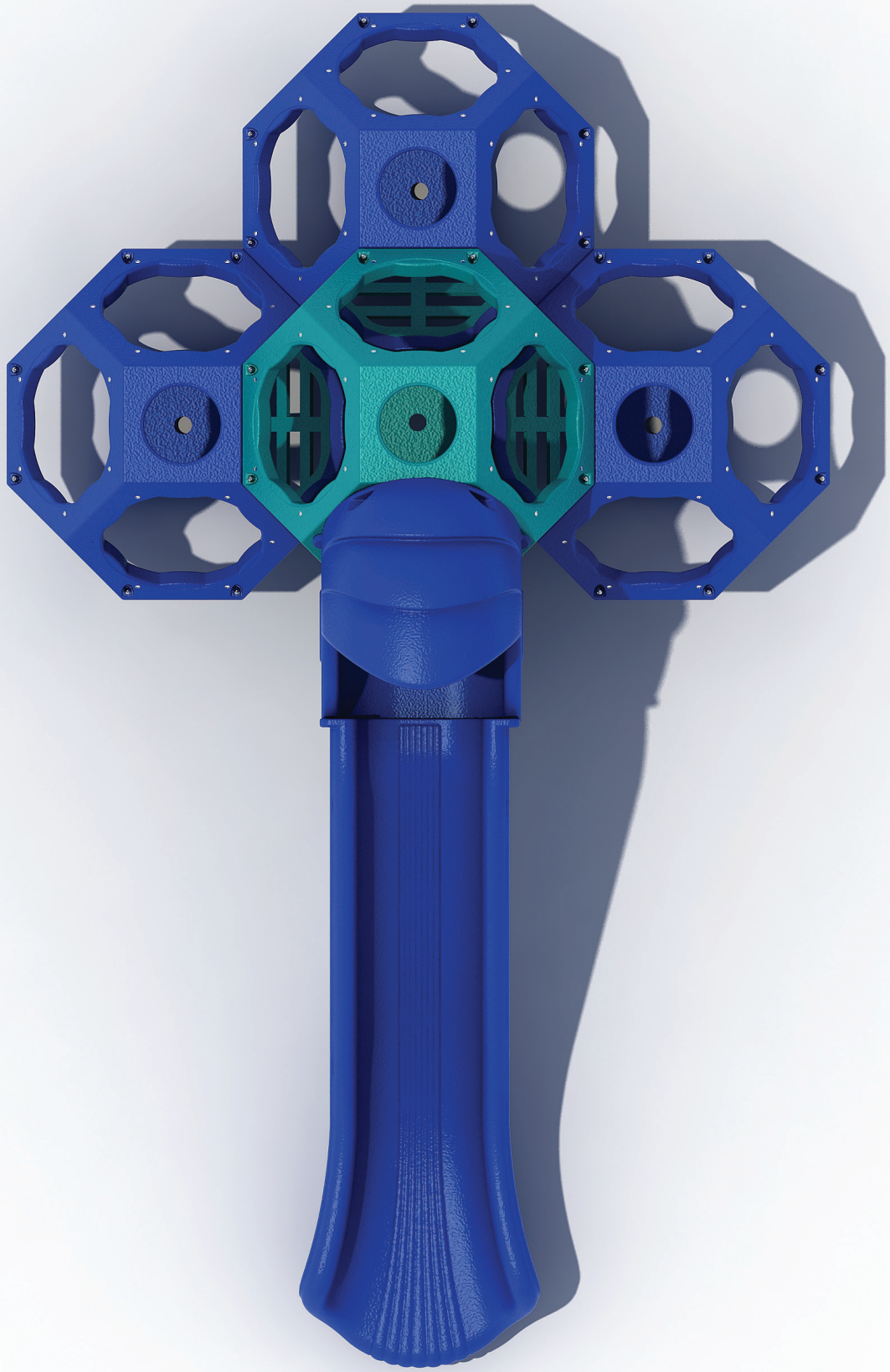
Occupancy: 4-8

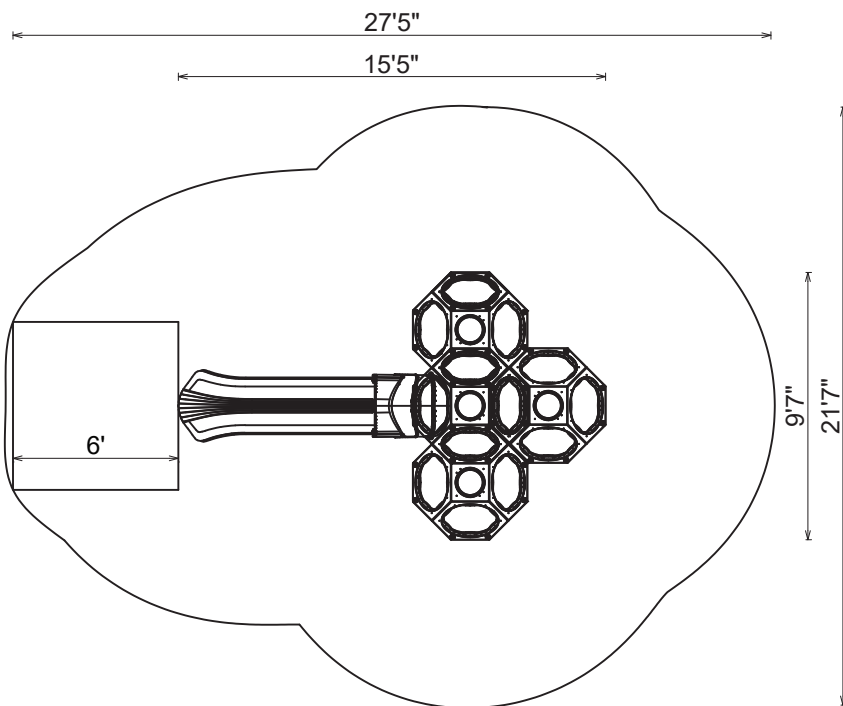


Free Shipping!

**COMPONENTS:**







Drawing#: iK-2007 FS-31654 zh190602-05

#### Notes:

This play structure design meets ADA accessibility guidelines established in ASTM-1487 and CPSC guidelines. All playground equipment should be installed over ADA accessible safety surfacing

Critical Fall Height: 72"

Structure Size: 9'7"X15'5"X6'

Use Zone: 21'7"X27'5"

Surface Area: 616 sq ft

Child Capacity: 4-8

Age Range: 5-12

Post Diameter: .

Weight: 400 LBS

Color Information:

Posts: None Metal Rails: Pacific Blue

Climber: Teal/Pacific Blue