



Use Zone: 79' x 33'



ADA Access: Yes



Age Group: 2-12



Occupancy: 34-38



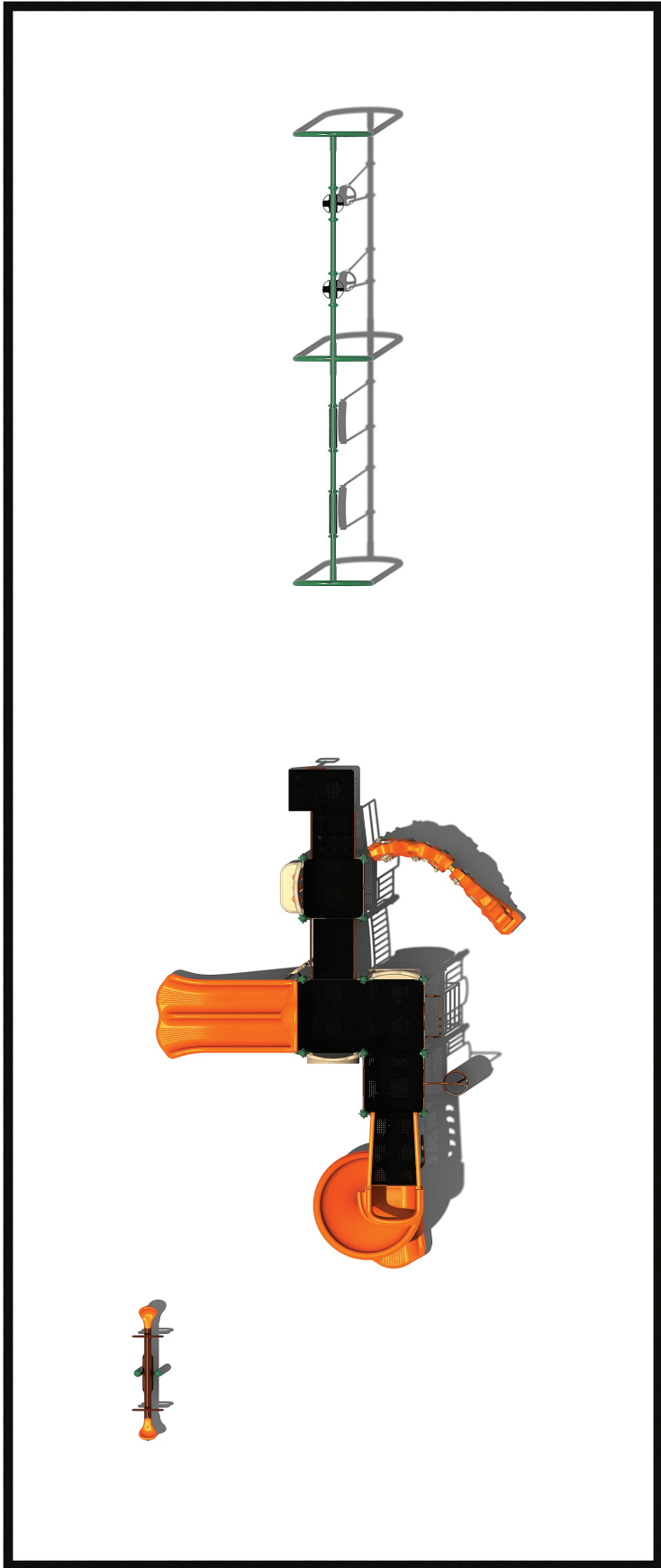
Free Shipping!

COMPONENTS:

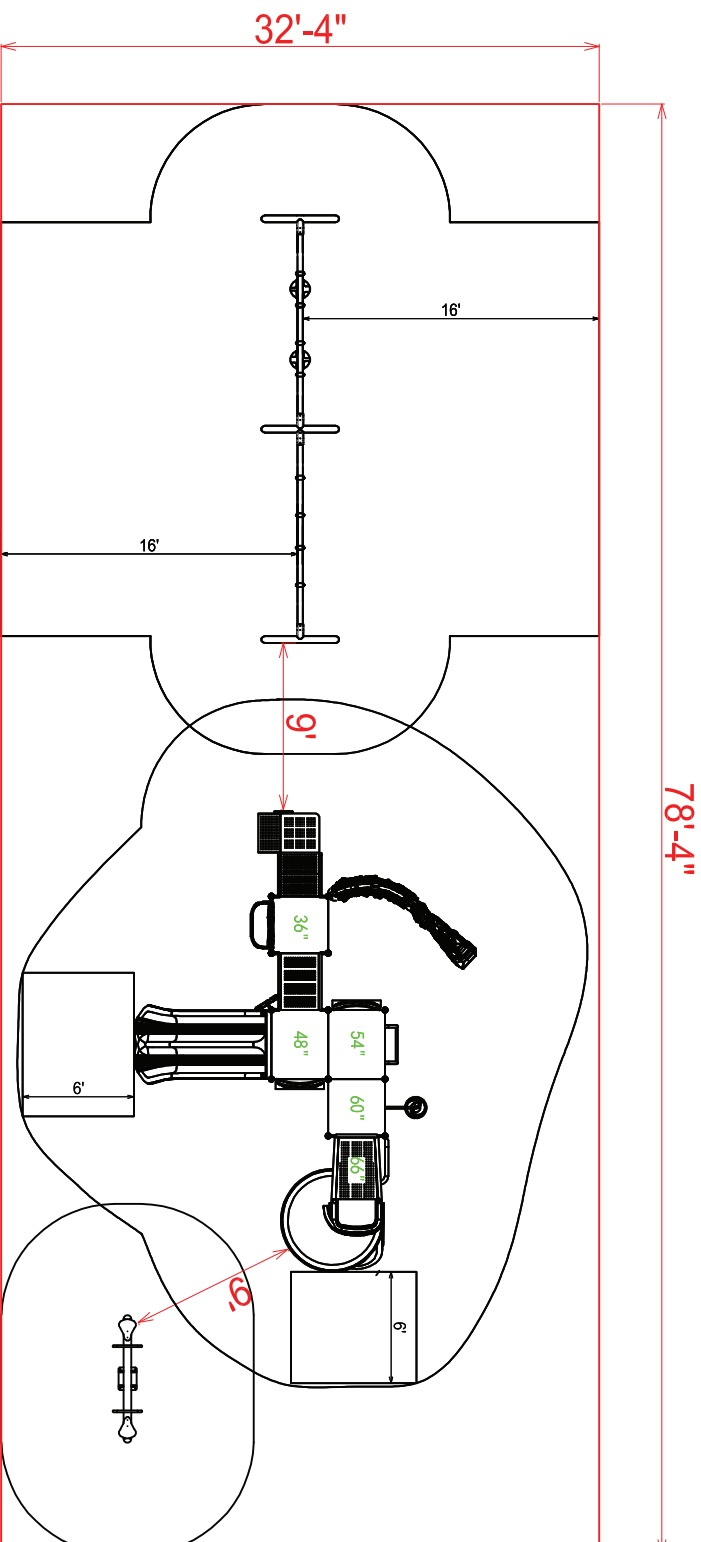




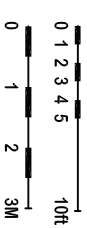




Top View Detail



Compliance:
 This play structure has been designed to meet the safety requirements established in:
 - 2010 ADA Standard
 - ASTM F1487
 - CPSC Pub #325
 when the play structure is installed over a properly maintained surfacing material which is in compliance with:
 - ASTM F1292
 - ASTM F1951
 and is appropriate for the highest designated play surface of the structure.



Drawing No: KP-35121	Structure Size: 24'-11" x 18'-7" x 10'-4"	HDDS: 7-5"
Date: 10-12-2022	Recommended Use Zone: 78'-4" x 32'-4"	Age Group: 2-12
Scale: To Fit	Surface Area: 2607 Sq Ft	Capacity: 34-38
		Weight: 3520 lbs

Creative Recreational Systems, Inc