



Use Zone: 33' x 33'



Age Group: 5-12

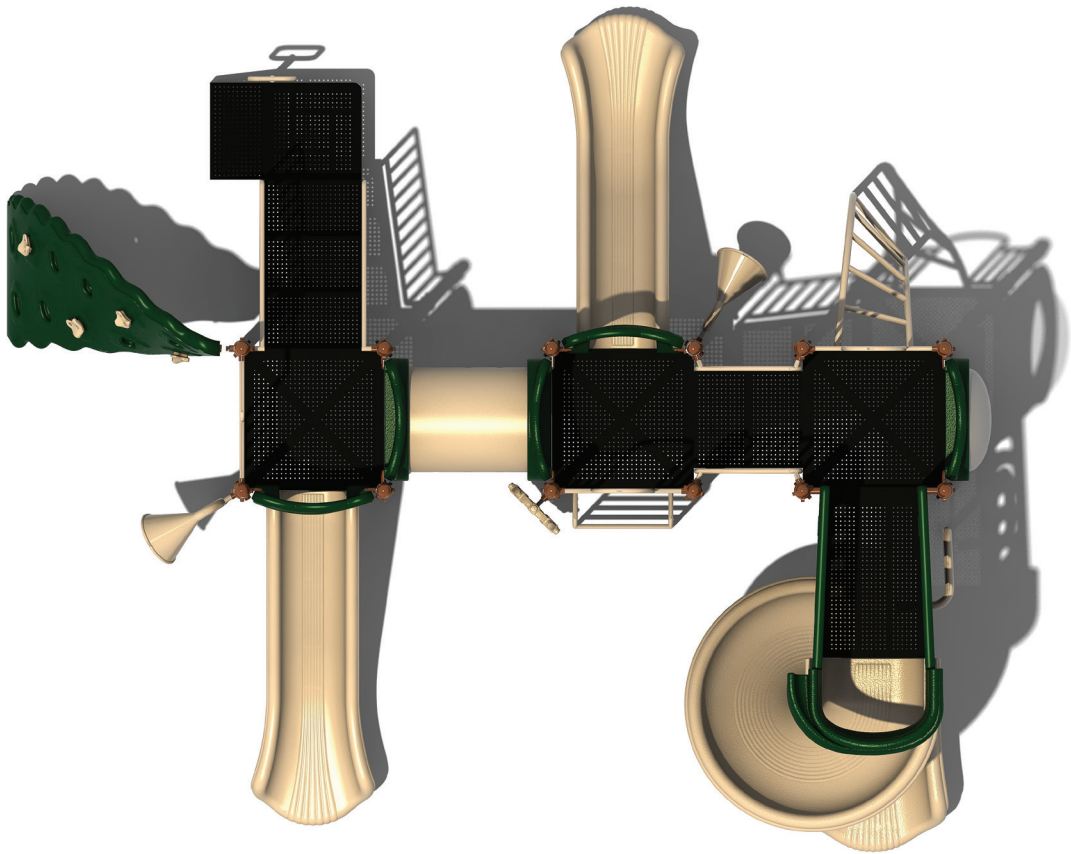


Occupancy: 28-32



Free Shipping!

**COMPONENTS:** Single Straight Slide / Transfer Station / Twist Climber / Crawl Tunnel / Talk tube / Mountain Twist Climber / Window Panel (Above) / Store Panel (Below) / Ship's Wheel / Vertical Climber / Spiral Slide



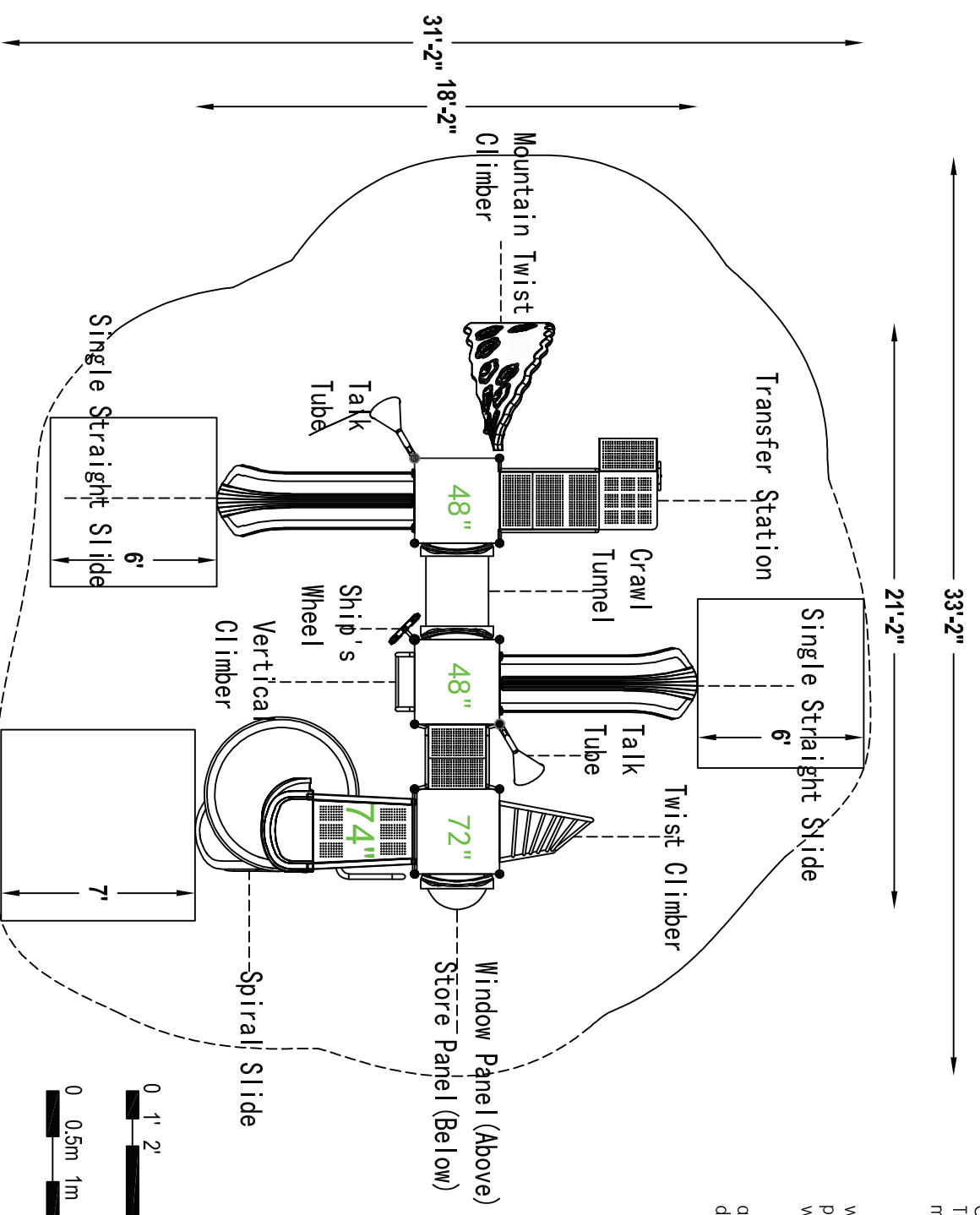
Compliance:  
 This play structure has been designed to meet the safety requirements established in:

- 2010 ADA Standard
- ASTM F1487
- CPSC Pub #325

when the play structure is installed over a properly maintained surfacing material which is in compliance with:

- ASTM F1292
- ASTM F1951

and is appropriate for the highest designated play surface of the structure.



# Trail Ridge Community Association

Drawing No: KP-32903  
 Date: 23May2020  
 Scale: To Fit

Structure Size: 21'-2" x 18'-2" x 11"  
 Recommended Use Zone: 33'-2" x 31'-2"  
 Surface Area: 1088 Sq Ft

HDPS: 6-2"  
 Age Group: 5-12  
 Capacity: 28-32

Creative Recreational Systems