



Use Zone: 46' x 35'



Age Group: 5-12



Occupancy: 34-38

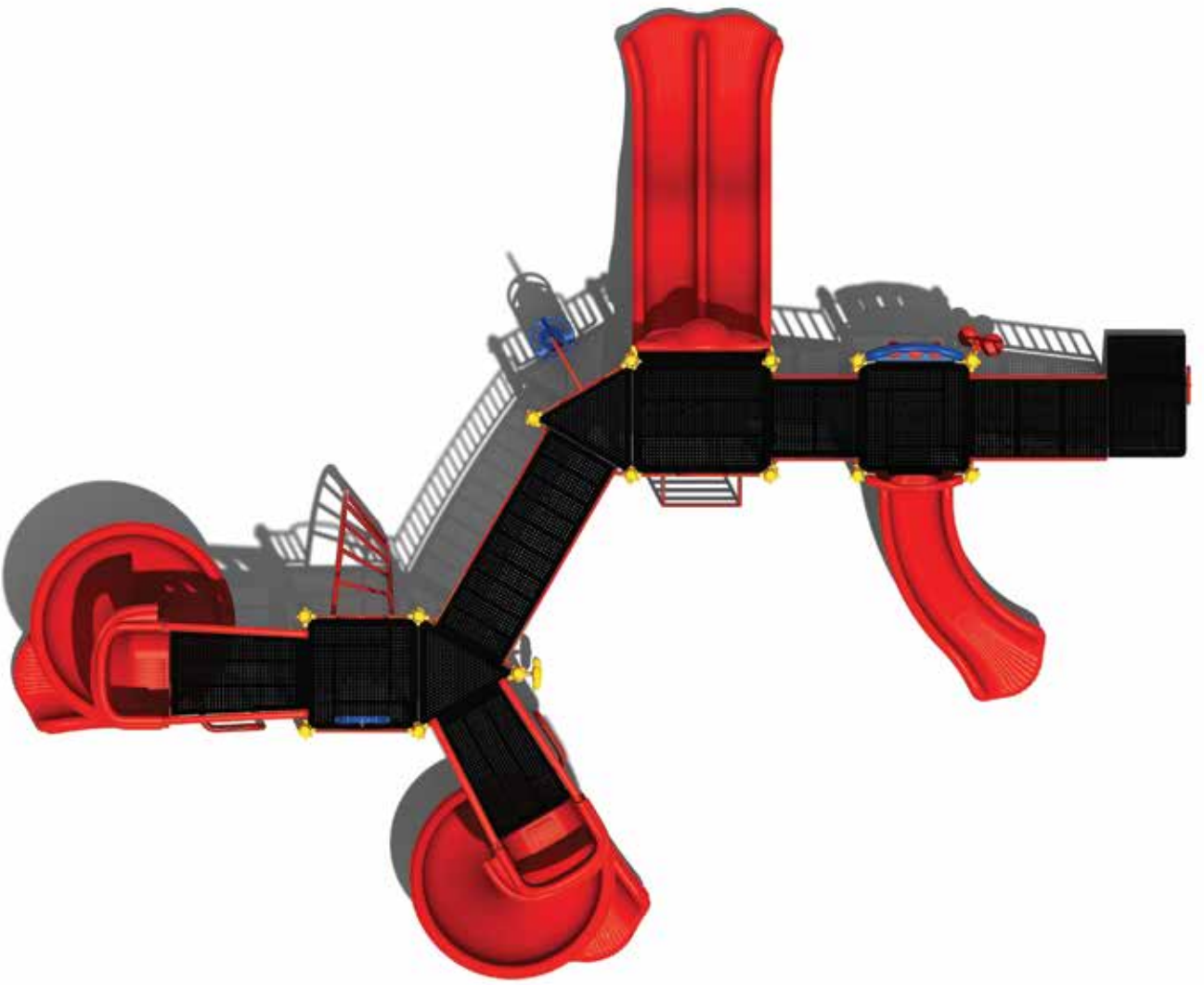


Free Shipping!

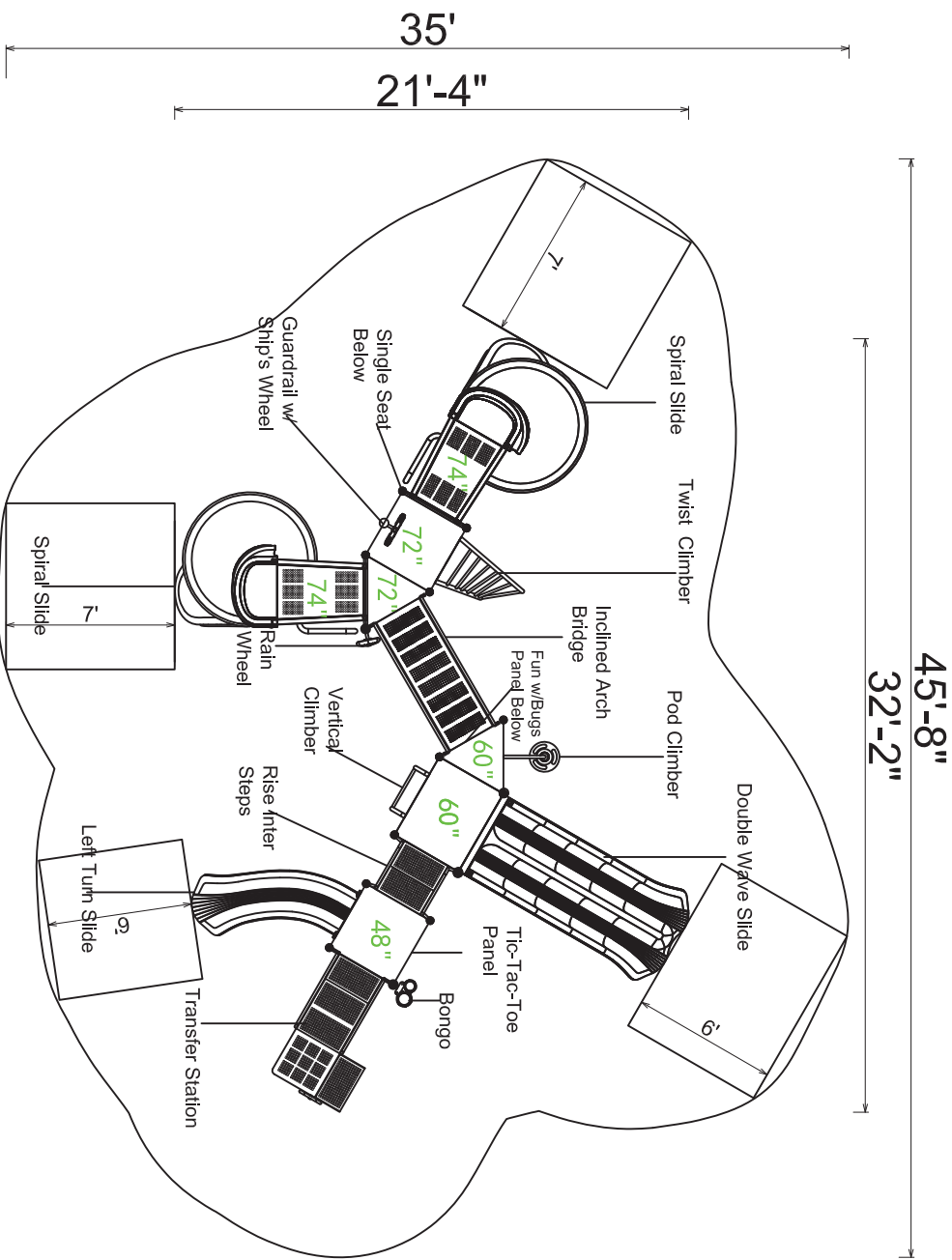
**COMPONENTS:** Double Wave Slide / Spiral Slide / Twist Climber / Pod Climber / Inclined Arch Bridge / Fun W/bugs Panel Below / Tic-tac-toe Panel / Bongo / Single Seat Below / Vertical Climber / Guardrail W/ship's Wheel / Rain Wheel / Rise Inter Steps / Transfer Station / Spiral Slide / Left Turn Slide











**Compliance:**  
 This play structure has been designed to meet the safety requirements established in:  
 - 2010 ADA Standard  
 - ASTM F1487  
 - CPSC Pub #325  
 when the play structure is installed over a properly maintained surfacing material which is in compliance with:  
 - ASTM F1292  
 - ASTM F1951  
 and is appropriate for the highest designated play surface of the structure.

**Garden Grove Sports & Recreation Center**

Drawing No: KP-33121  
 Date: 19-08-2020  
 Scale: To Fit

Structure Size: 32'-2" x 21'-4" x 11'-4"

Recommended Use Zone: 45'-8" x 35'  
 Surface Area: 1610 Sq Ft

HDPS: 6'-2"  
 Age Group: 5-12  
 Capacity: 34-38

**Creative Recreational Systems**