



Use Zone: 32' x 29'



Age Group: 2-12



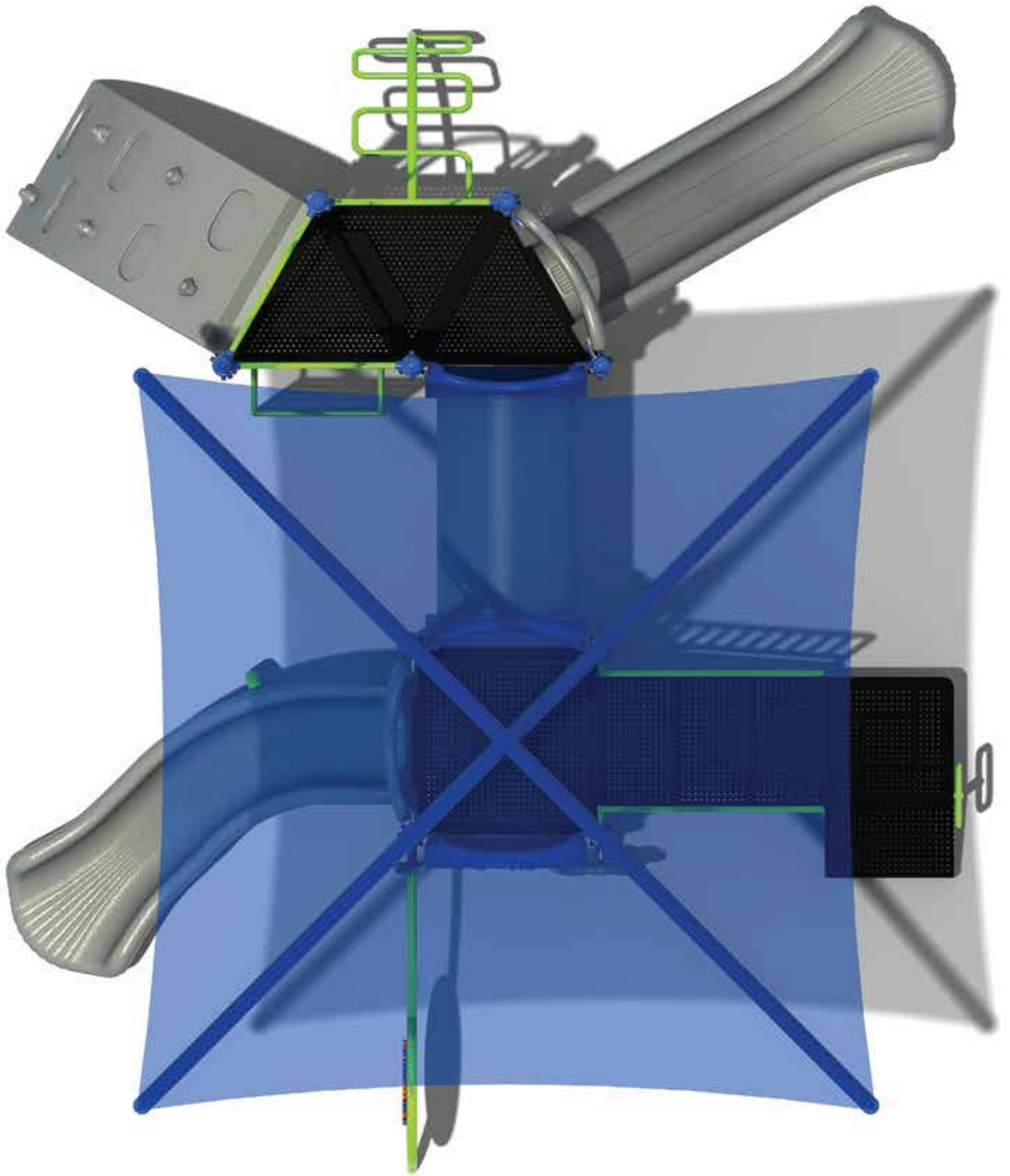
Occupancy: 26-30

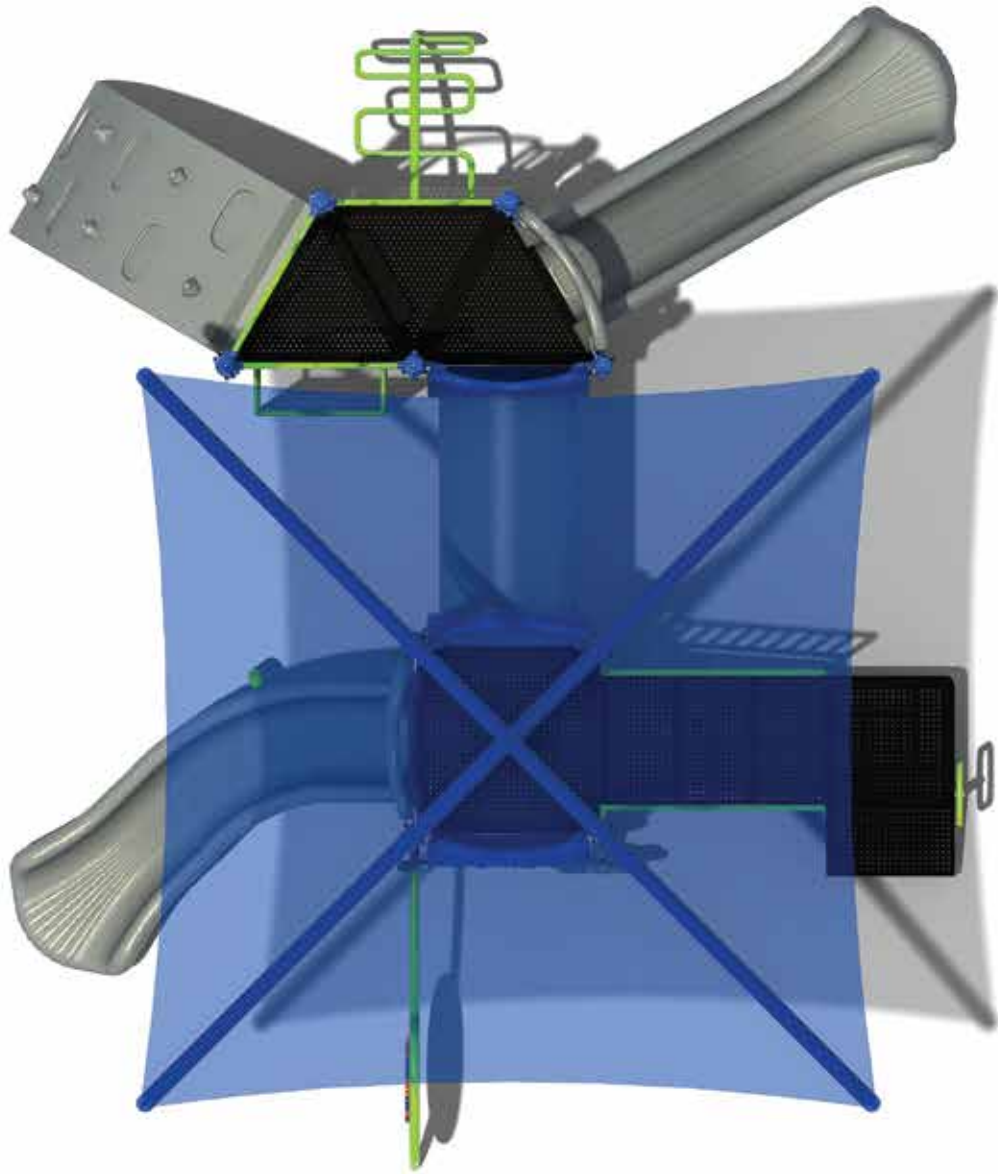


Free Shipping!

COMPONENTS: Single Sectional Left Turn Slide / Sea Creature Arch Climber / Vertical Climber / Crawl Tunnel / 4 In A Row Panel / Aech Snake Climber / Gear Panel / Single Straight Slide / Ship's Wheel / Transfer Station

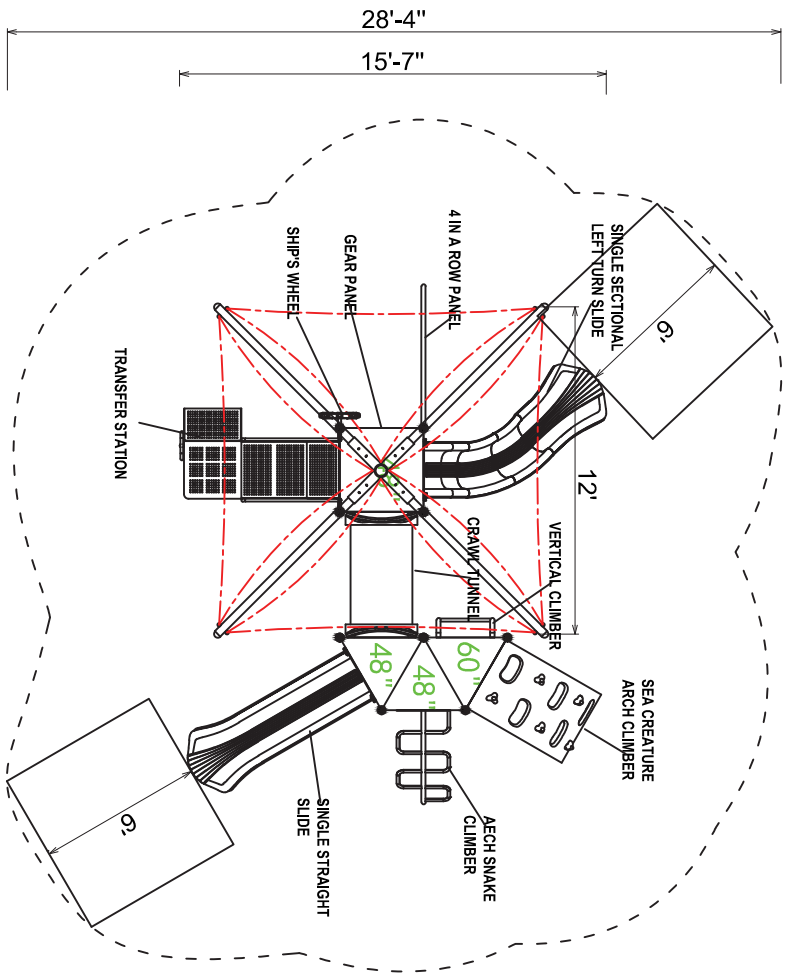




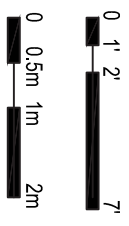


31'-3"

19'



Compliance:
 This play structure has been designed to meet the safety requirements established in:
 - 2010 ADA Standard
 - ASTM F1487
 - CPSC Pub #325
 when the play structure is installed over a properly maintained surfacing material which is in compliance with:
 - ASTM F1292
 - ASTM F1951
 and is appropriate for the highest designated play surface of the structure.



Compton Willow
Walk Corporation

Drawing No: KP-32954
 Date: 28/06/2020
 Scale: To Fit

Structure Size: 19'X15'-7"X14'-3"
 Recommended Use Zone: 31'-3"X28'-4"
 Surface Area: 928 Sq Ft

HDPs: 5'
 Age Group: 2-12
 Capacity: 26-30

Creative
Recreational
Systems