





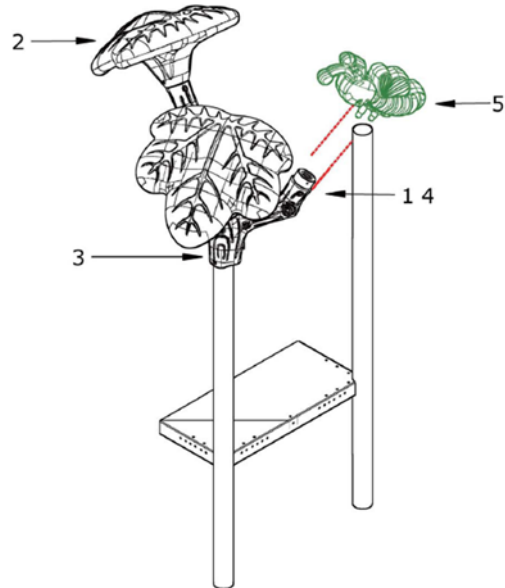
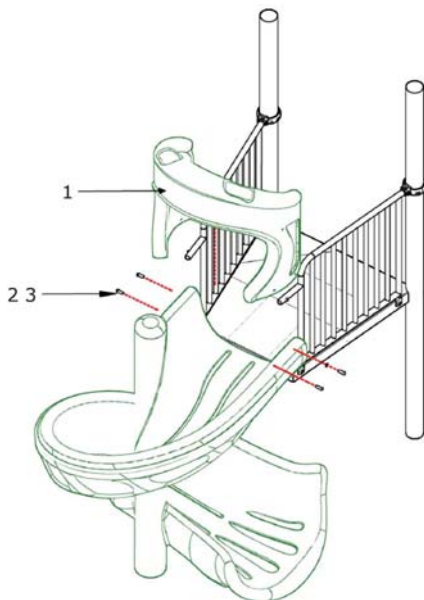


Product Specifications

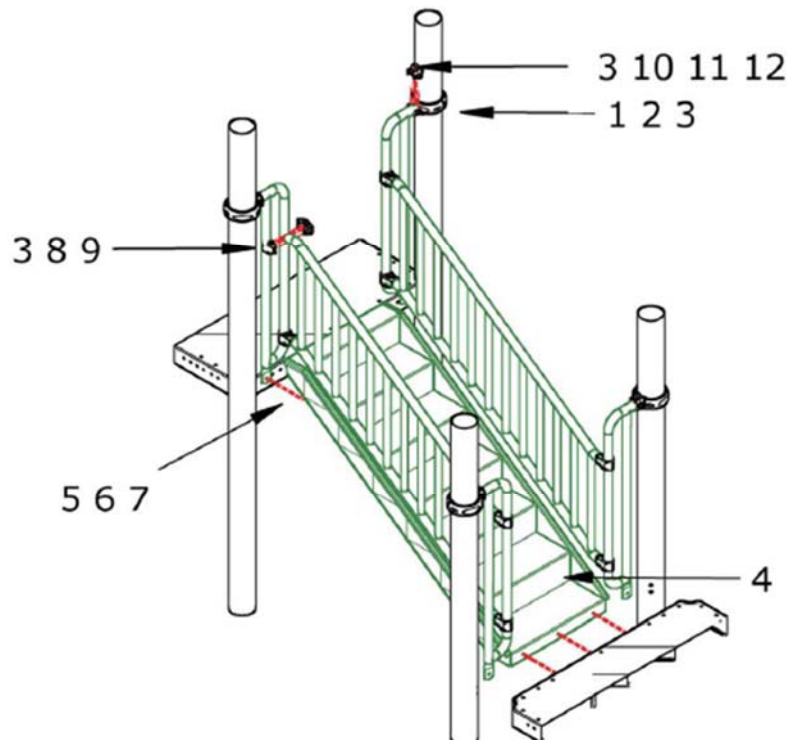
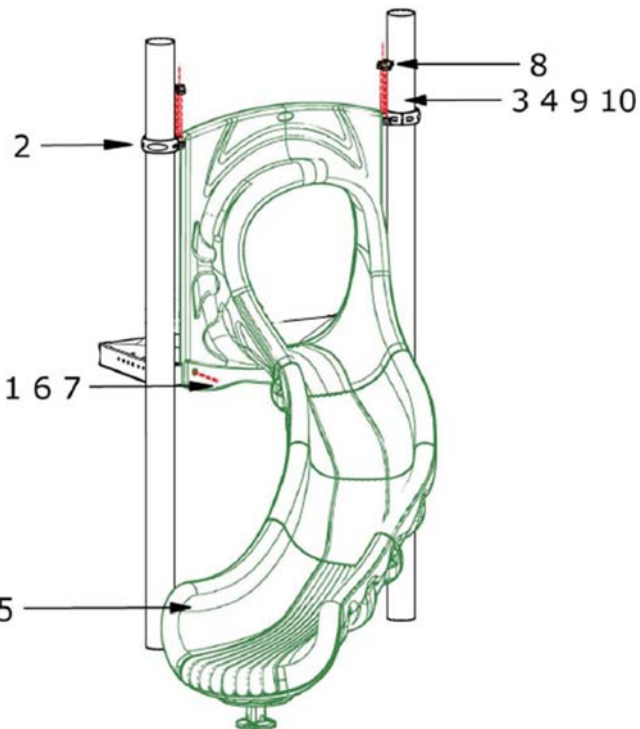
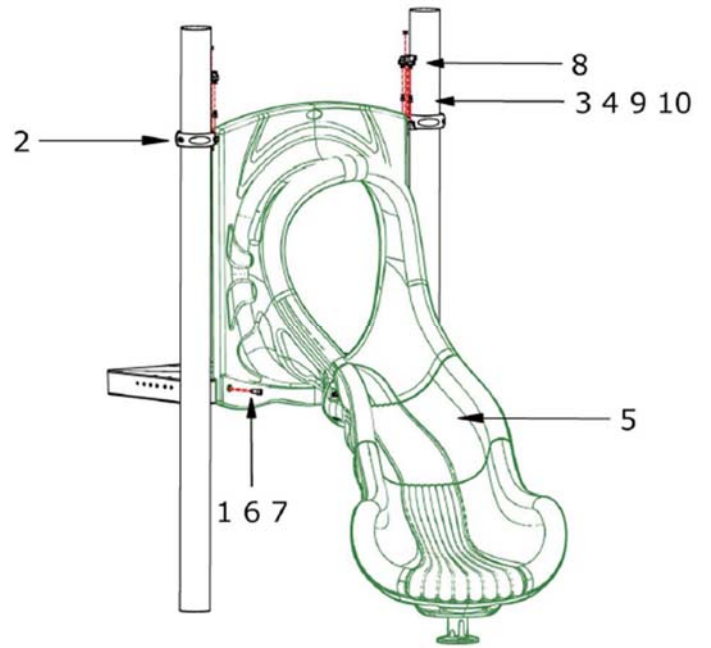
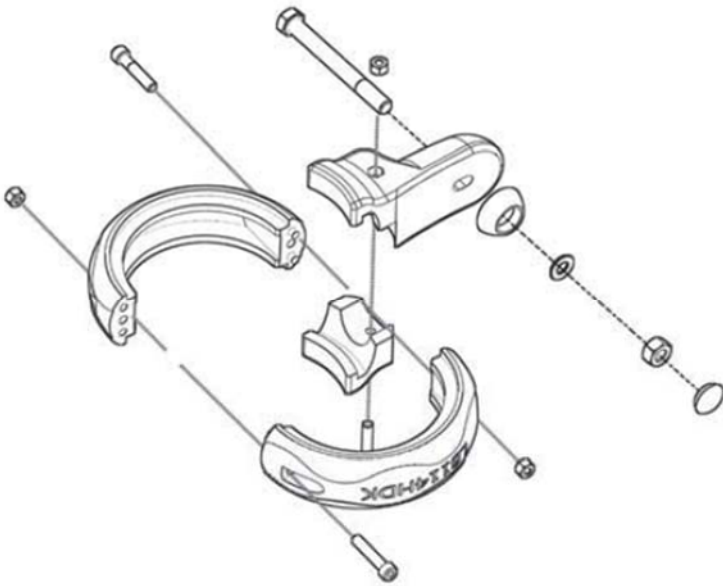
	<p>Certificates</p>	<p>ISO14001, ISO18000, ISO9001, GS Certificate from TUV – EU</p>
	<p>Components</p>	<p>Roofs, Slides, Plastic Panels, PVC Stairs, Decks, Tubes and Posts, Climbing.</p>
	<p>Materials</p>	<p>A. Plastic parts: LLDPE B. Post: National standard galvanized steel and/or aluminum pipe C. Metals: Galvanized D. Deck, stair, bridge: Steel with plastic covered E. Fasteners: 304 Stainless</p>
	<p>Advantages</p>	<p>A. Anti-UV B. Anti-static C. Security D. Environmental protection E. Color is not easy to fade</p>
	<p>Installation</p>	<p>2 days with 4 people</p>
	<p>Age Range</p>	<p>2-12 and/or 5-12</p>



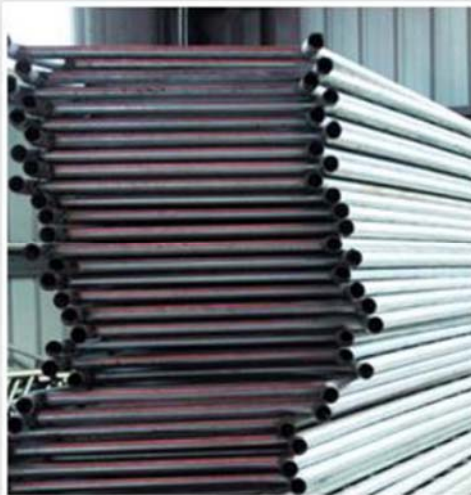
Example Project



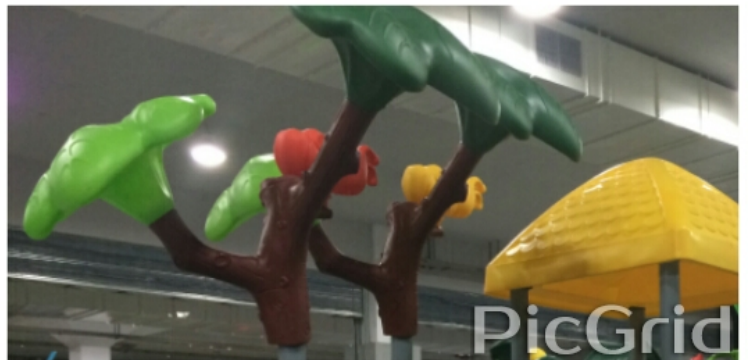
Superior Engineering



State of the Art Manufacturing



Highest Quality Components



Efficiency In Production



Plastic Roto-Moulding Workshop



Platforms and Ladders Workshop



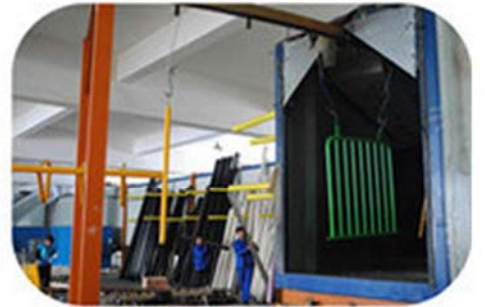
PVC Coating Workshop



Steel Pipes and posts Workshop



Welding Workshop



Powder Coating Workshop



Steel Pipes Warehouse



Plastic Parts Warehouse



Accessories Warehouse