

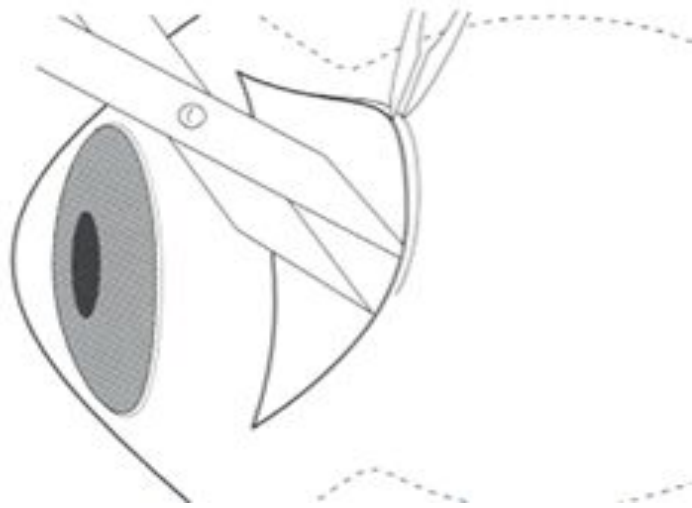
KiteTube Implantation Steps



KITEVISION

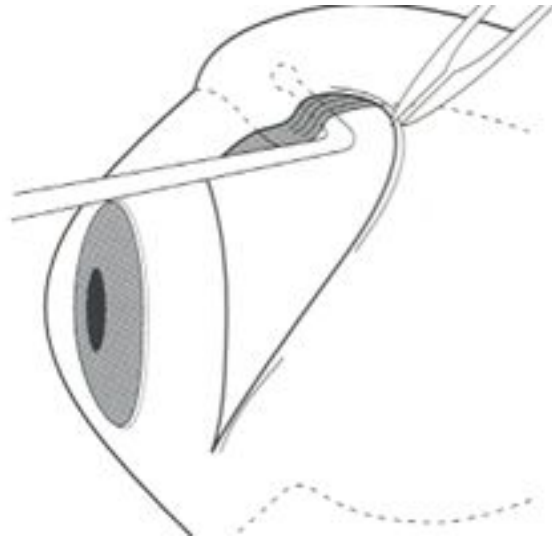


KiteTube Implantation Steps



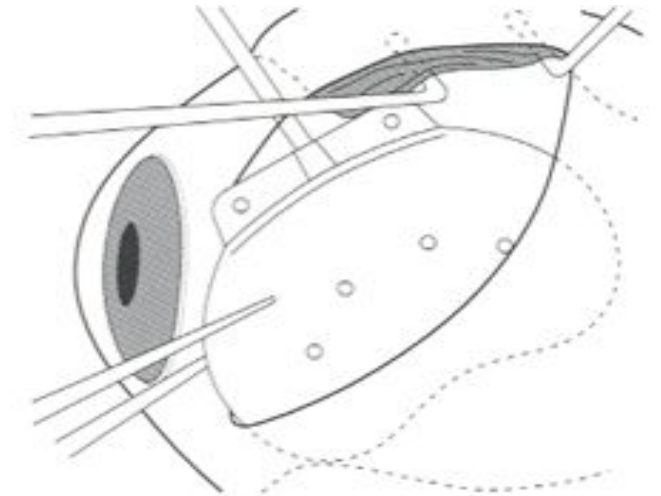
Step 1:

Raise a conjunctival flap



Step 2:

A space is created between the rectus muscle with a muscle hook to implant the shunt.

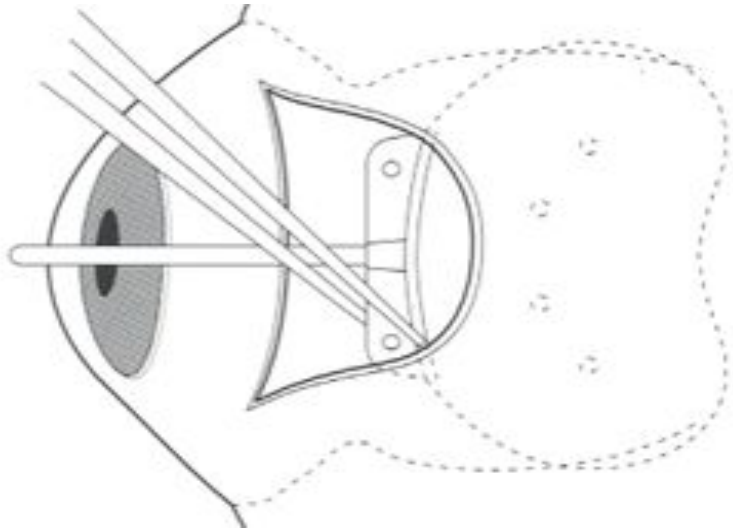


Step 3:

Slip the implant beneath the rectus muscle 8mm-10mm posterior to the limbus

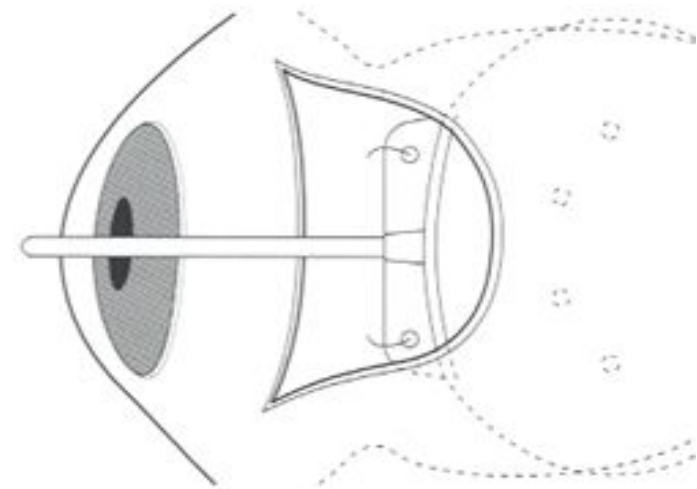


KiteTube Implantation Steps



Step 4:

Position the Scleral plate of the implant

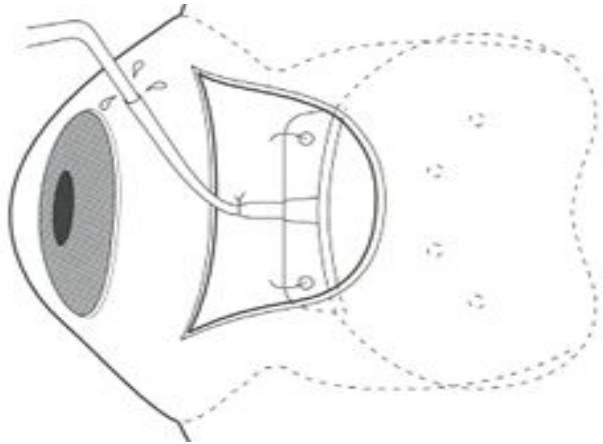


Step 5:

Suture holes are provided in the silicon plate to suture the scleral plate of the implant with the sclera. 10-0 or 9-0 Nylon suture is used for the scleral plate fixation.

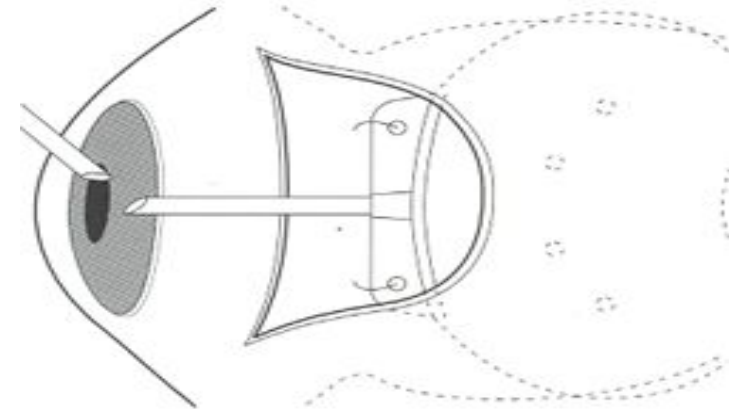


KiteTube Implantation Steps



Step 6:

Ligature of the silicone tube is done with a 6-0 Absorbable suture and the patency of the tube is checked after ligating to make sure that the tube is completely occluded. If the ligature is not proper aqueous humor will drain and will lead to hypotony situation in post op.

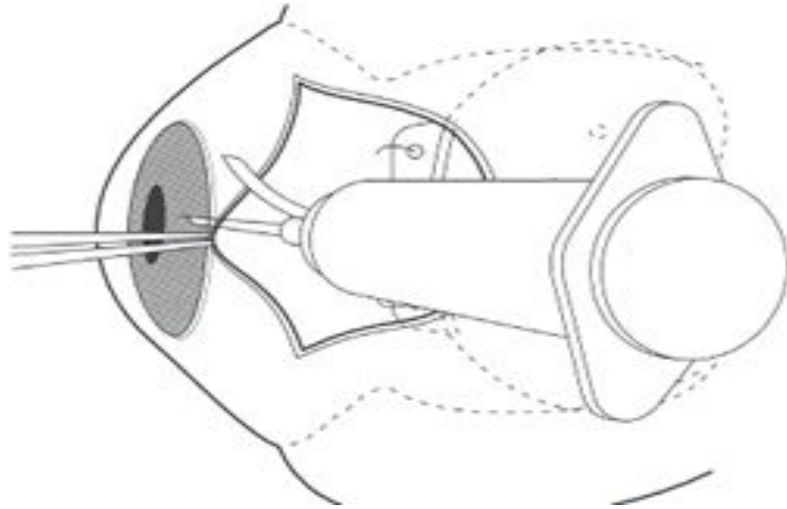


Step 7:

Make a bevel up cut in the silicone tube

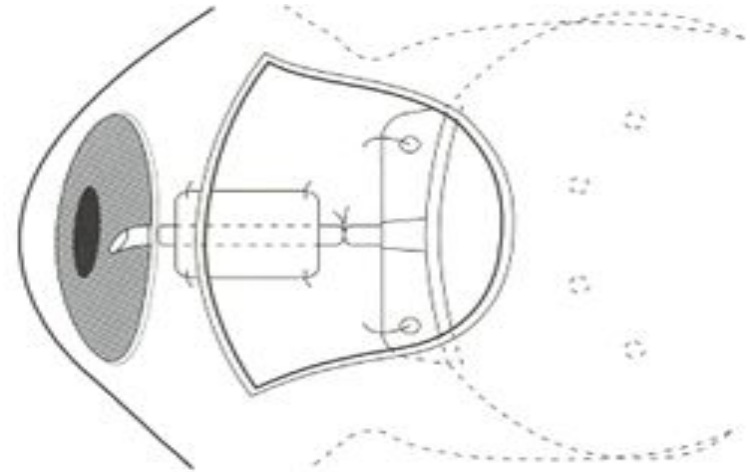


KiteTube Implantation Steps



Step 8:

An opening with a 23G needle for insertion of the tube into the anterior chamber.

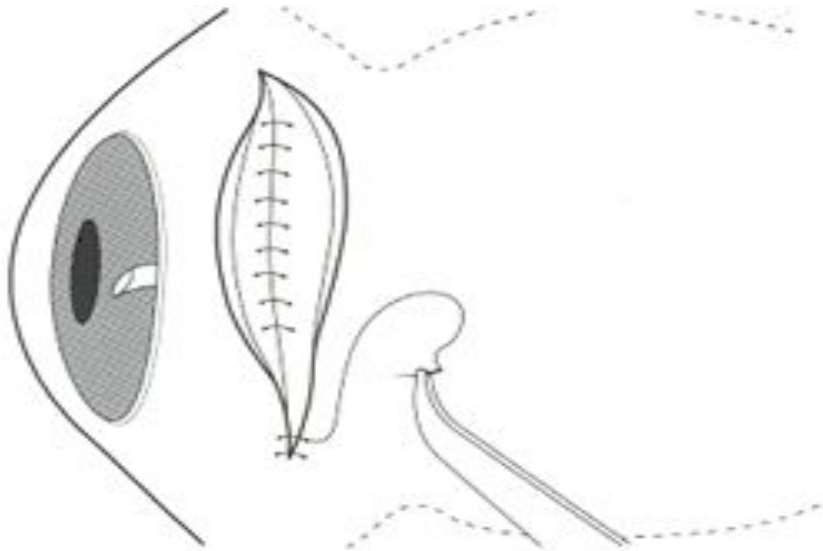


Step 9:

Cover the tube with a patch graft sutured with 10-0 or 9-0 Nylon to the sclera.



KiteTube Implantation Steps



Step 10:

Close the conjunctiva with 10-0 Absorbable suture or 10-0 Nylon suture.

The device actually starts functioning after 40 days of implantation. As the ligature is made with 6-0 absorbable suture it will lose its tensile strength and slowly the aqueous humor drainage will happen. For the suture to lose its tensile strength it will take 40 (+ or - 2 days). Within these 40 days a bleb will be formed in the silicone plate through the fenestration holes provided and this bleb starts controlling the IOP. Till 40 days the IOP will be controlled only through medication.

