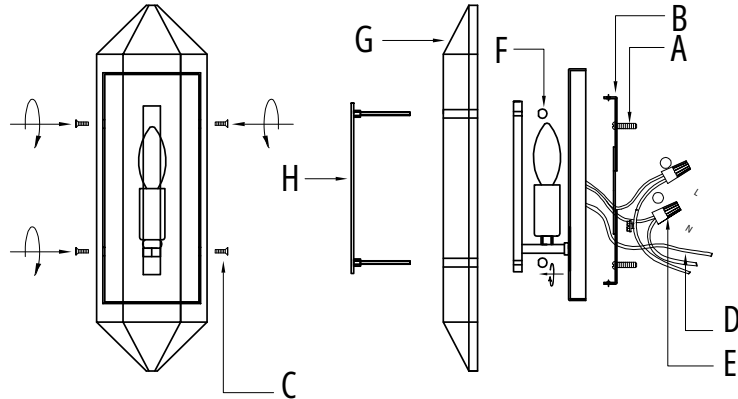
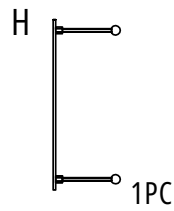
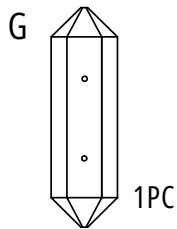




warm light recommended
Bulb(Not Included)



B7848-1



Assembly Instructions

WE RECOMMEND INSTALLATION OF THIS LIGHTING FIXTURE BE DONE BY A LICENSED ELECTRICIAN.
WARNING *** SWITCH OFF THE MAIN ELECTRICAL SUPPLY FROM THE MAIN FUSE BOX/CIRCUIT BREAKER BEFORE INSTALLATION.

1. Carefully remove all parts from the box
2. Remove the mounting bracket (B) from the base by loosening the side screws (C)
3. Affix the mounting bracket (B) on the outlet box with the screws (A).
4. INSURE THE ELECTRICITY SUPPLY IS TURNED OFF
5. Hold the lamp body and wrap both safety cable (D) with nipples (E), push the base on the bracket (B) and then affix it with screws (C) again.
6. Take off the screws (F) from the part (H) and then secure the alabaster piece (G) with the part (H) and screws (F) again according to the illustration.
7. Install the bulb (NOT INCLUDING) in the socket.
8. Installation is complete, turn on power at fuse or circuit breaker.

Clean with a dry, soft cloth only. Use no harsh abrasives or chemical agents

