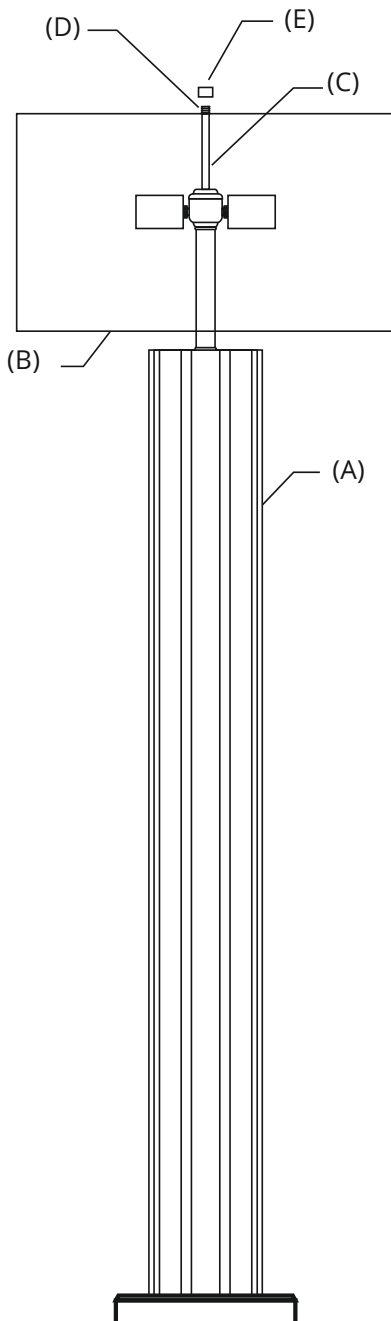


PARTS ENCLOSED:

- (A) Lamp (1)
- (B) Shade (1)
- (C) Harp (1)
- (D) Finial Screw Plate
- (E) Finial (1)



IMPORTANT SAFETY INSTRUCTIONS:

This fixture has been rated for up to (2) 100-watt maximum TYPE A standard bulb. To avoid the risk of fire, do not exceed the recommended wattage.

WARNINGS:

All wires are connected. When unpacking, be careful not to pull wires as a bad connection may result. Do not connect electricity until your lamp is fully assembled.

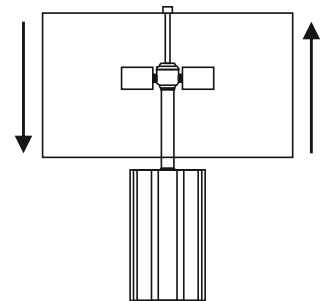
To reduce the risk of fire, electrical shock, or personal injury, always turn off and unplug lamp and allow it to cool prior to replacing light bulb.

Do not touch bulb when fixture is turned on or look directly at lit bulb.

Keep flammable materials away from lit bulb.

TO ASSEMBLE:

1. Carefully remove all parts from the box.
2. Insert bulb (not included) into threaded socket.
3. Attach the shade (B) to the harp (C).
4. Attach the finial (E) to finial screw plate (D) and tighten to secure the shade.
5. If shade tilts, kindly adjust via bare hands, as shown in right image.
6. Plug into proper electrical outlet and test fixture.
7. Assembly is complete.



CARE INSTRUCTIONS:

Do not use polishes or cleaners on your lamp. JUST WIPE CLEAN WITH SOFT CLOTH.