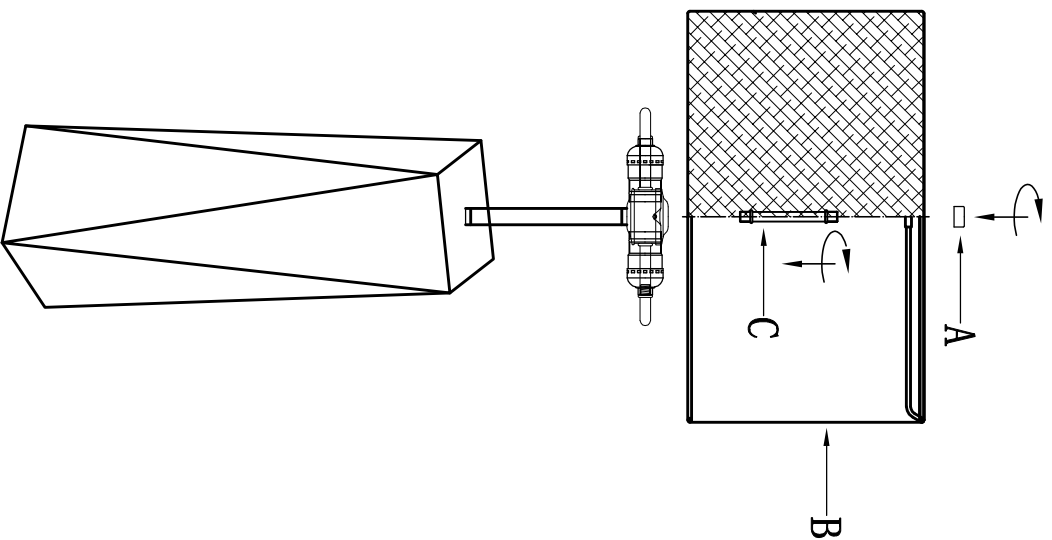
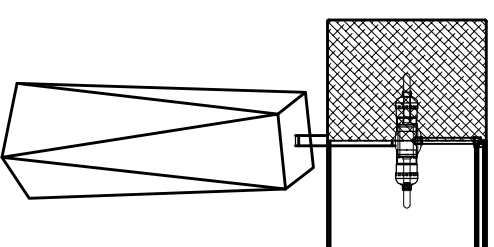


Assembly Instructions

INSPECT ITEM CAREFULLY BEFORE ATTEMPTING TO INSTALL. IF THERE IS ANY DAMAGE OR OBVIOUS DEFECT, DO NOT INSTALL. ITEM MAY NOT BE RETURNED ONCE IT HAS BEEN INSTALLED. NOTE: CAREFULLY UNPACK EACH PIECE IN TOP LAYER OF PACKING PRIOR TO REMOVING. RETAIN ALL PACKING MATERIAL UNTIL INSPECTION AND INSTALLATION ARE FINAL.

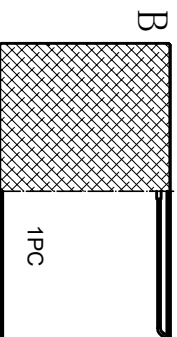
1. Carefully remove all parts from the box.
2. Install the pipe (C) on the top box centre hole and the take of the final (A).
3. Take off the plastic paper from the shade (B)
4. Put the shade (B) on the pipe (C) and then secure it with the final (A) again.
5. Insert light bulbs (not including) into sockets.
6. Plug the lamp into wall outlet
7. Installation is complete.

*****Clean with a dry, soft cloth only. Use no harsh abrasives or chemical agents*****



T3140-2

A
1PC



C
1PC

