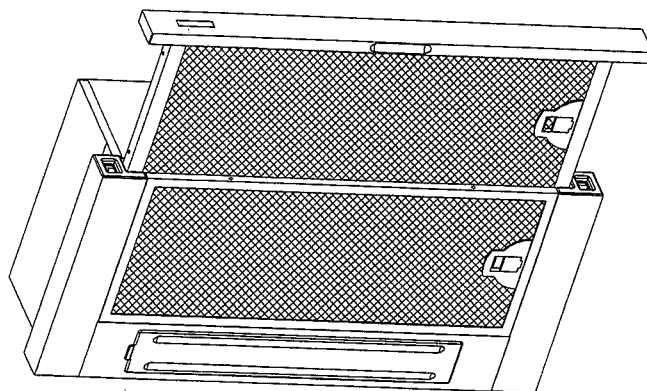

ELFA

TELESCOPIC COOKER HOOD

MODEL NO.: SL601

INSTRUCTION MANUAL



◆ PLEASE READ THE MANUAL CAREFULLY BEFORE OPERATION. ◆

GENERAL

- A) Carefully read the following important information regarding installation safety and maintenance. Keep this information booklet accessible for further consultations.
- B) The appliance has been designed as a exhausting version(external exhaust)or as a filter version(internal air recycle) cooker hood.

SAFETY PRECAUTION

- A) Take care when the cooker hood is operating simultaneously with an open fireplace or burner that depend on the air in the environment and are supplied by other than electrical energy, as the cooker hood removes the air from the environment which a burner or fireplace need for combustion.
- B) The negative pressure in the environment must not exceed 4 Pa(4*10⁻⁵ bar).
- C) Provide adequate ventilation in the environment for a safe operation of the cooker hood.
- D) Follow the local laws applicable for external air evacuation.
- E) Appliance shall only be used with rated voltage and frequency.
- F) There is a fire risk if cleaning is not carried out in accordance with the instruction

WARNING!!

In certain circumstances electrical appliances may be a danger hazard.

- A) Do not check the status of the filters while the cooker hood is operating
- B) Do not touch the light bulbs after appliance use
- C) Do not disconnect the appliance with wet hands and without to force the supply cord.
- D) Flame cooking is prohibited underneath the cooker hood
- E) Avoid free flame, as it is damaging for the filters and a fire hazard
- F) Constantly check food frying to avoid that the overheated oil may become a fire hazard
- G) Disconnect the electrical plug prior to any maintenance.
- H) Children don't recognize the risks of electrical appliances. Therefore use or keep the appliance only under supervision of adults and out of the reach from children.
- I) **WARNING:** This appliances is not trended for use by persons(including children) with reduced physical, sensory or mental capabilities, or lack of experience and knowledge, unless they have been given supervision or instruction concerning use of the appliance by a person repsonsible for their safety.
- J) Children should be supervised to ensure that they do not play with the appliance.

INSTALLATION INSTRUCTIONS

Electric Connection

The appliance has been manufactured as a class II, therefore no earth cable is necessary.

The connection to the mains is carried out as follows:

BROWN=L line

BLUE=N neutral

If not provided, connect a plug for the electrical load indicated on the description label.

Where a plug is provided, the cooker hood must be installed in order that the plug is easily accessible.

An omnipolar switch with a minimum aperture of 3 mm between contacts, in line with the electrical load and local standards, must be placed between the appliance and the network in the case of direct connection to the electrical network.

It's necessary to have the plug accessible after installation.

The appliance must be installed at a minimum height of 650mm from a cooker stove. The minimum distance between the supporting surface for the cooking vessels on the hob and the lowest part of the range hood, when the range hood is located above a gas appliance, this distance shall be at least 65cm. If the instructions for installation for the gas hob specify a greater distance, this has to be taken in the account. If a connection tube composed of two parts is used, the upper part must be placed outside the lower part.

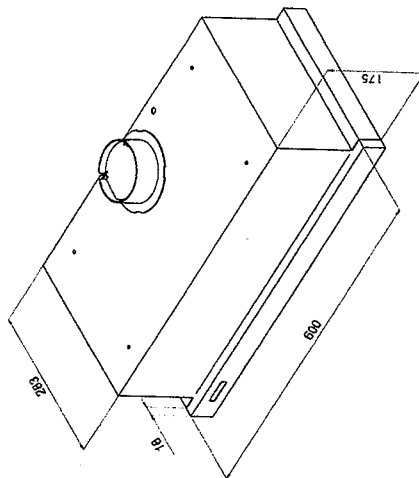
Do not connect the cooker hood exhaust to the same conductor used to circulate hot air or for evacuating fumes from other appliances generated by other than an electrical source.

ATTENTION: should the lamps not work, make sure they are well tightened
WARNING: Ensure that the appliance is switched off before replacing the lamp to avoid the possibility of electric shock.

Ragne Hood dimensions:

-The dimensions: 600mm(W)x175mm(H)x283mm(D)

-Slide Extension Hood Front Panel 18 mm thick



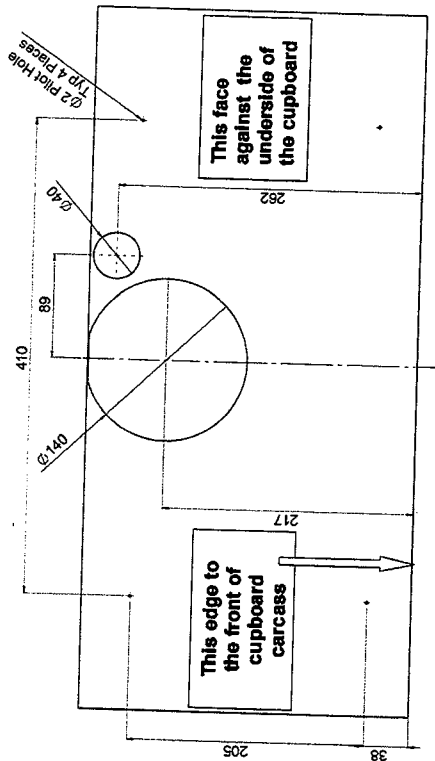
-Measure the Rangehood prior to modifying or fabricating the overhead cupboard to ensure all dimensions are correct. All Dimensions are in millimetres.

-Bore a diameter 40mm hole in the base of the overhead cupboard for the plug and the cord to fit through. Refer Template Diagram.

-Bore a diameter 140mm hole in the base of the overhead cupboard for the duct spigot to

fit through. Refer Template Diagram

-Drill the mounting screw pilot holes

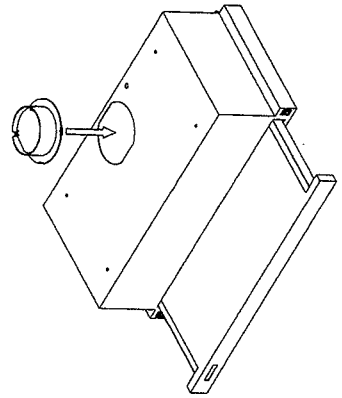


NOTE: INSTALLATION OF THIS RANGEHOOD AND DUCTING MUST BE CARRIED OUT BY AUTHORISED PERSONS

-Carefully unpack the appliance and remove all packaging materials.

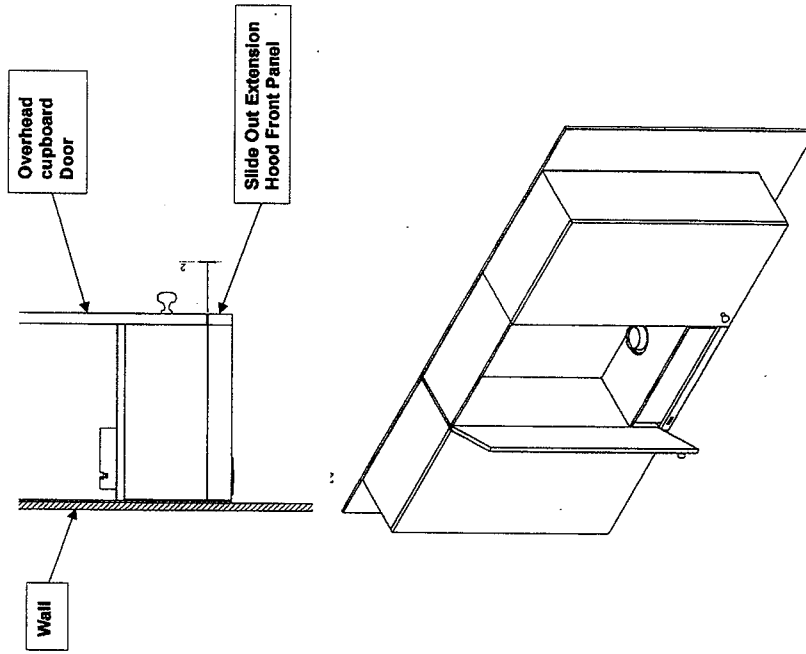
-DO NOT place the power point behind the Rangehood. The power point must be fully accessible, without having to touch or remove the rangehood, and within close vicinity. i.e. Power Point in cupboard next to rangehood. Note: All Electrical work is to be carried out by a qualified and licensed Electrician.

-Attach the duct Spigot to the top of the rangehood by clipping in. For a securer fit, run a bead of silicon sealant around the edge of the hole, then clip in the duct spigot. Clean up any excess sealant.



-Feed the power plug and lead through the diameter 40mm hole in the base of the cupboard.

-Fit and secure the rangehood into the cavity with 4 screws (dia.4) which are appropriate for the cupboard material type. Screw up through the inside of the rangehood body into the overhead cupboard base.



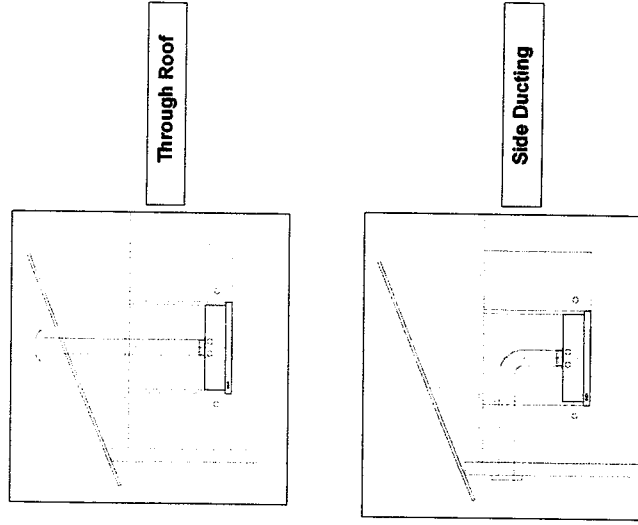
Ducting that exits through the external roof to the outside environment must be installed by an authorized plumber.

-Exhaust air must not be expelled into a wall cavity unless the wall cavity is purposely designed for this function.

-Ducting Kits and components are available from good hardware stores and will need to be purchased prior to installation..

-The Ragnehood is provided with a duct spigot which incorporate a Fire Flap. DO NOT remove or discard the Fire Flap. This complete assemble must be used when ducting

External Ducting Suggestions



Ducting-External

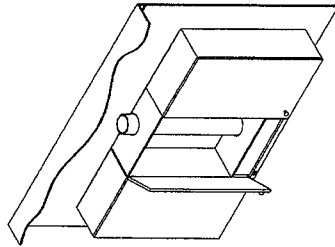
-Fit the ducting(not supplied) to the Duct Spigot as per the ducting kit instructions. Ensure there are no blockages or kinks in the ducting.

Note: Follow the local laws applicable for external air evacuation. Contact your local authority for the regulations in your area.

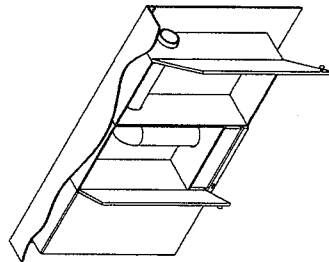
Ducting-Recirculation

- In situations where there is no provision to have external ventilation, the rangehood may be installed and ducted to recirculate the air back into the room.
- In this situation, the ducting should extend to outside the cupboard either from the front, side or out the top the cupboard and be allowed to vent back into the room.

Recirculating Ducting Suggestions



Top Ducting when there is space between the top of the overhead cupboard and the ceiling



Side Ducting when there is no space between the top of the overhead cupboard and the ceiling

OPERATION

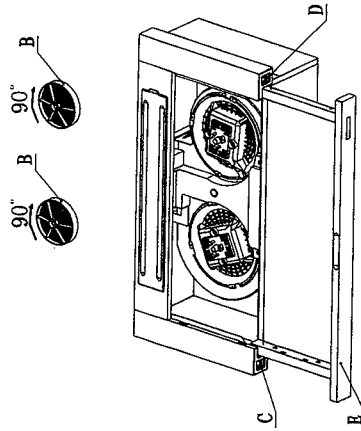
1. Slide out the slide panel (E)
2. Press light button (D) to control the light on/off.
3. Press speed button (C) to control the speed of the motor.
4. Press off the button of the light and motor, and slide in the slide panel (E).

MOUNTING OF THE HOOD IN THE LOWER PART OF A HANGING CUPBOARD

Drill 4 holes of 4mm diameter at the bottom of the hanging cupboard. Fit the hood in the cabinet with 4 screws, which are appropriate to that kind of cupboard. The appliance is provided with 1 air outlets, which is in the upper part. It is used according to your requirements. A connecting ring (A), which to join the connecting pipe to is supplied.

CHANGING FROM EXHAUSTING HOOD TO FILTERING ONE

In order to make this change, demand a set of carbon filters to your dealer. Active carbon filters are necessary to dehydrate the air, which will be released in the room. Filters are not washable; they cannot be regenerated and have to be replaced at most every 4 months. The saturation of the activated charcoal depends on the more or less prolonged use of the hood, on the type of cooking and on the regularity of cleaning the grease filter. The filter (B) has to be applied to the aspirating group, which is inside the hood hitting the centre of the group with it and turning it of 90 degrees until the stop click is heard to lock it. Close with the appropriate covers the upper and back air outlets. In this way the hood is ready for the filtering function.



USE AND MAINTENANCE

It is recommended to operate the appliance prior to cooking.

It is recommended to leave the appliance in operation for 15 minutes after cooking is terminated in order to completely eliminate cooking vapours and odours.

If the appliance is not used, please turn off.

Don't use or stop use if the appliance is damaged especially the supply cord and the case.

If the supply cord is damaged, it must be replaced by the manufacturer, its service agent or similarly qualified persons in order to avoid a hazard.

Don't immerse the appliance in liquid.

The exhaust air must not be discharged into a flue which is used for exhausting fumes from appliance burning gas or other fuels.

Regulations concerning the discharge of air have to be fulfilled.

The proper function of the cooker hood is conditioned by the regularity of the maintenance operations, in particular, the active carbon filter.

The anti-grease filters capture the grease particles suspended in the air, and are therefore subject to clogging according to the frequency of the use of the appliance.

In order to prevent fire hazard, it is recommendable to clean the filter at a maximum of 2 months by carrying out the following instructions:

-Remove the filters from the cooker hood and wash them in a solution of water and neutral liquid detergent, leaving to soak.

-Rinse thoroughly with warm water and leave to dry.

-The filters may also be washed in the dishwasher.

The aluminum panels may alter in colour after several washes. This is not cause for customer complaint nor replacement of panels.

The active carbon filters purify the air that is replaced in the environment. The filters are not washable nor re-useable and must be replaced at maximum every four months. The saturation of the active carbon filter depends on the frequency of use of the appliance, by the type of cooking and the regularity of cleaning the anti-grease filters.

Clean the fan and other surfaces of the cooker hood regularly using a cloth moistened with denatured alcohol or non abrasive liquid detergent.

Before any repair on the cooker hood, detach all plugs.

Replace filters approximately every 4 months.

WIRING DIAGRAM

