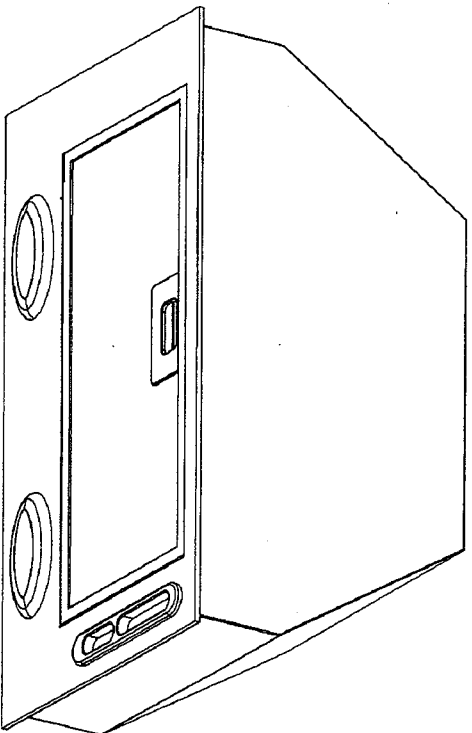


Important safety information

- This appliance is not intended for use by persons (including children) with reduced physical, sensory or mental capabilities, or lack of experience and knowledge, unless they have been given supervision or instruction concerning use of the appliance by a person responsible for their safety.
- Young children should be supervised to ensure that they do not play with the appliance.
- There shall be adequate ventilation of the room when the rangehood is used at the same time as appliances burning gas or other fuels.
- You must read the details concerning the method and frequency of cleaning.
- There is a fire risk if cleaning is not carried out in accordance with the instructions.
- Do not flame under the rangehood.
- Exhaust air must not be discharged into an existing flue which is used for exhausting fumes from appliances burning gas or other fuels.
- The minimum distance between the hob surface and the lowest part of the rangehood is 600mm. This distance shall be at least 650mm, if the rangehood is installed over a gas hob. If the instructions for the gas hob specify a greater distance, this has to be taken into account.
- Attention should be given to ensure that any applicable regulations concerning the discharge of exhaust air is fulfilled.
- If the supply cord of this equipment is damaged, it must only be replaced by the manufacturer or its service agent or a similarly qualified person in order to avoid a hazard.

Installation and Operating Instructions

Description: CANOPY RANGE HOOD



F 06710

Installation

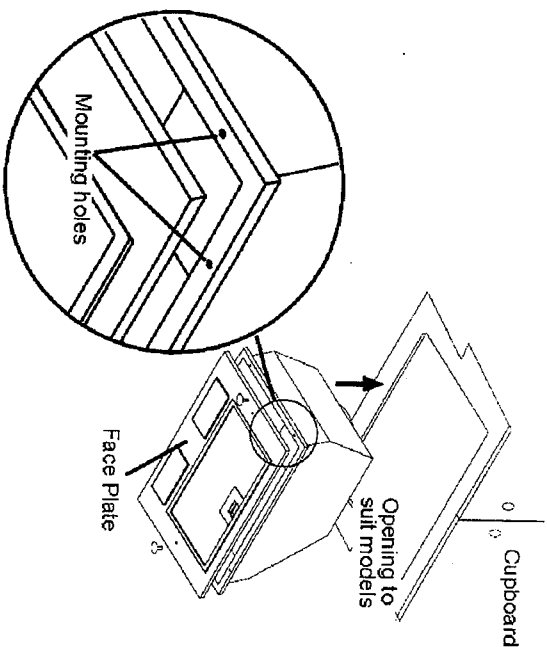
Mounting the Rangehood

Fit the ducting adaptor to the rangehood using the short screws supplied.

Provide an opening on the underside of the cupboard to suit models/ provide 490mm x 256mm for 600 model or 665mm x 256mm for 900 model.

Remove the face plate of the rangehood by undoing the two visible screws located on both side-ends. Eight mounting holes around the unit then are accessible.

Lift the rangehood and fit through the opening of the cupboard. Secure unit using long screws supplied. Refit face plate.

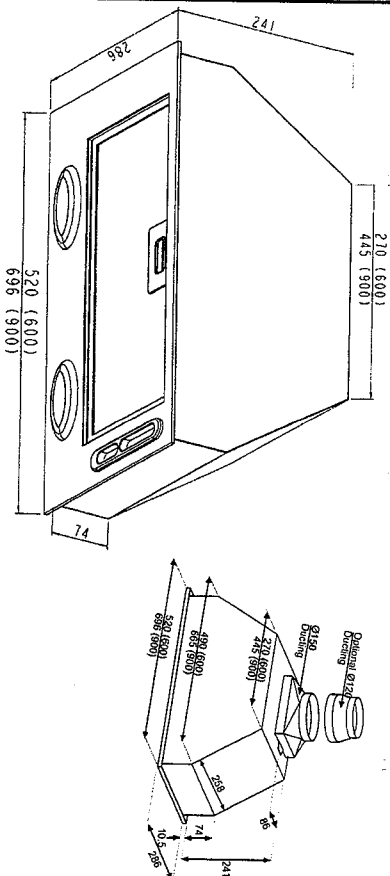


Recirculation mode

1. This unit can be installed to operate in recirculation mode where ducting is not a chosen/desired or practical option. Ensure that the top ducting outlet are not obstructed. Even a partial obstruction will restrict the efficiency of the rangehood.

2. Replace aluminium filters with charcoal filters (Pg. 6 Part & Accessories list).

Overview



Pre-installation

Thank you for purchasing a quality rangehood. Our hoods has a high standard of quality control and every rangehood is tested and approved before it leaves the factory.

Important:

- Please read the entire instructions before installing the rangehood.
- Always switch power off prior to installation.
- Stainless steel is very easily damaged during installation if abraded or knocked by tools. Protect the rangehood with the cardboard box or plastic bag during installation.
- All electrical work must be done in accordance with local and national electrical codes as applicable.
- For safety, this product must be earthed.
- A power outlet should be within 1500mm of the power cord exit from the rangehood.
- The power socket must be accessible and enable the end user to isolate the rangehood from the power for the purpose of internal cleaning or maintenance.
- 150mm round ducting adapters are supplied. All other ducting accessories are not supplied. All ducting must comply with local requirements and building codes.
- See Ducting options next page.

Contents of packaging:

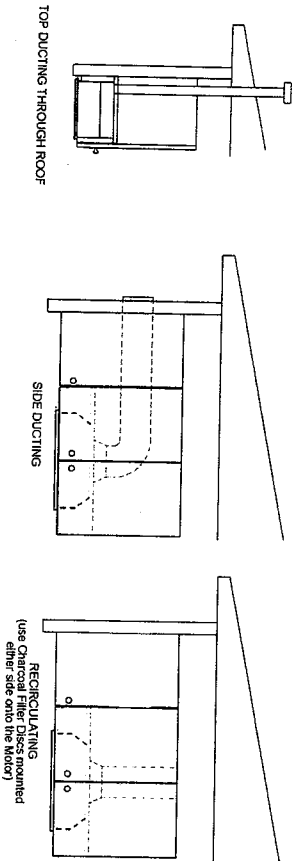
- 1 x rangehood body
- 1 x face plate
- 1 x 150mm ducting adaptor
- 1 x 120mm ducting adaptor (optional)
- 1 x packet of fasteners and wall plugs (optional)

Typical equipment required:

- electric drill
- screwdriver
- tape measure
- spirit level
- duct tape (if ducting)
- jig saw (if ducting)
- ladder (if ducting)

Ducting Options

The method of ducting should be carefully considered before installing the rangehood. The guide below recommends the ducting components to use for all common ducting configurations - through the top of the home (for the roof and soffit) and through the rear of the home. 150mm round ducting should be used in conjunction with this model rangehood. Alternatively this rangehood can be operated in recirculation mode (see Recirculation mode Pg. 5).



It is recommended that Ø150mm ducting is to be used, however a reducer from Ø150mm to Ø120mm is supplied should Ø120mm be required.

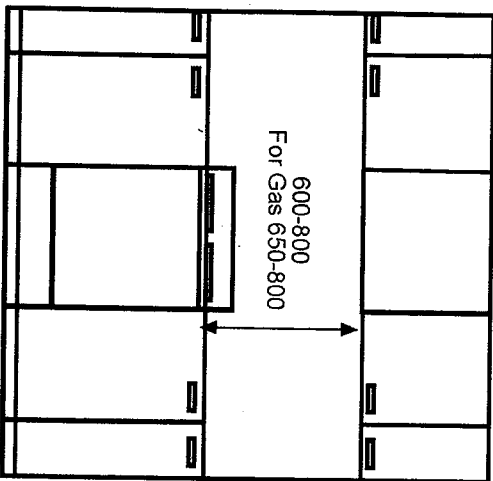
Extra lengths and/or bends may be required, depending on the length required and whether there is any structural material in the run e.g. rafters.

Some authorities require rangehoods to be vented outside. Ducted models should comply with this requirement in every respect.

Please note that this chart is designed as a guide. Please consult Robinhood customer services if unsure. For NZ phone 0800 760 667 or www.robinhood.co.nz. For AUS phone 1800 648 556 or www.robinhood.com.au.

Installation position

When installing the rangehood, the lower edge of the unit must be a minimum of 600mm (650mm for gas cooker) above the cooking range. The recommended position for the hood is 650mm above the hotplates.



Pictured: Minimum height from the gas hob surface to the underside face of the rangehood is: 600mm for electric hob, 650mm for gas hob

Notes: If the instructions for the gas hob specify a greater distance, this has to be taken into account. Any installation above 750mm will compromise performance.

Operating instructions

Controls

Light

The light can be operated independently by sliding the light switch on/off despite the working status of the fan. Please refer to the icon on switch panel.

Fan

The fan is operated by sliding the power switch on. It can be run at three different speeds (Speed 1 / Speed 2 / Speed 3) depending on the cooking requirements. Please refer to the icon on switch panel.

Cleaning and maintenance

General Maintenance

Switch off the rangehood before cleaning or maintenance. To prevent surface damage never use abrasive or oil based liquid cleaners. To clean the surfaces of the appliance, use mild detergent and warm water. In areas of high humidity and coastal environments cleaning should be carried out frequently.

Warning: a build up of oil may occur if the rangehood is not cleaned regularly.

Filter Maintenance

To maintain efficiency, the filters should be removed regularly (approximately monthly), and washed using hot soapy water or the dishwasher.

Note: some discolouration of the frame may occur if washed in the dishwasher.

Rangehoods fitted with charcoal filters are designed to remove grease and odours from cooking vapours prior to the cleansed air re-entering the kitchen (when the rangehood is in recirculation mode). Charcoal filters should be replaced every two to four months depending on use.

Note: Fully saturated charcoal filters can become a barrier to air movement therefore limiting rangehood performance. In the event of fire, grease laden filters could be flammable and therefore regular replacement is recommended. In ducted installations, conventional aluminium filters are recommended.

Replacement of Incandescent bulbs

To replace a bulb, first disconnect the rangehood from the power supply. Use a small blade screwdriver to prise off the lamp cover. Care must be taken to avoid the lamp lens falling on to the hob top. The bulb is a screw fit into the lamp socket. Insert the replacement bulb into the lamp socket and replace the lamp cover.

Parts and Accessories list

- Charcoal filter
- Incandescent bulb 240V 40W