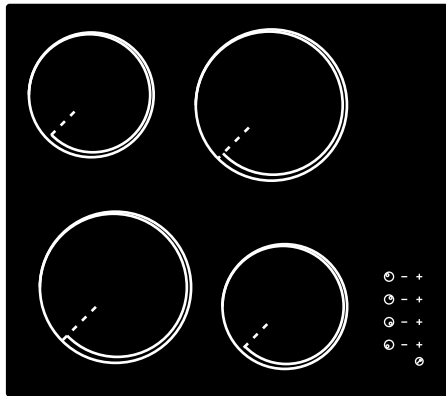


# User Manual

Ceramic Cooktop Model : CRSL606



## Product Introduction

The microcomputer ceramic cooktop can meet different kinds of cuisine demands because of resistance wire heating, micro-computerized control and multi-power selection, really the optimal choice for modern families.

The ceramic cooker cooktop centers on customers and adopts personalized design. The cooktop has safe and reliable performances, making your life comfortable and enabling you to fully enjoy the pleasures from life.

## Working Principle

The microcomputer ceramic cooktop directly employs resistance wire heating, and realizes power regulation with the microcomputer controlling different heating time and closing time of the resistance wire.

## Safety

- High temperature protection

The temperature sensor mounted on the radiant electric the temperature inside the cooktop from time to time. When an excessive temperature is detected, the cooking plate will be directly disconnected and stop power output.

## Safety

- Residual heat indicators  
After using the cooktop, waste heat remains in the heating area. The power nixie tube shows the code "H", warning to be away from the heating area.
- Auto shut down protection  
During the cooktop working, it shut off automatically when the default timing reach by the program if without operating. If several heating zones work simultaneously, the cooktop will be automatically shut off when anyone heating area reaches it's default timer. The default working timer for various power levels are shown in the table below:

Power level	1	2	3	4	5	6	7	8	9
Default working time(hour)	8	8	8	4	4	4	2	2	2

## Installation

- Selection of installation equipment  
Drill holes on the table surface according to the sizes shown in the drawing. For the purpose of installation and use, a minimum of 50 mm space shall be preserved around the hole.  
Be sure the thickness of the table surface is at least 30mm. Please select heat-resistant table material to avoid larger deformation caused by the heat radiation from the cooktop.  
As shown in Figure (1)

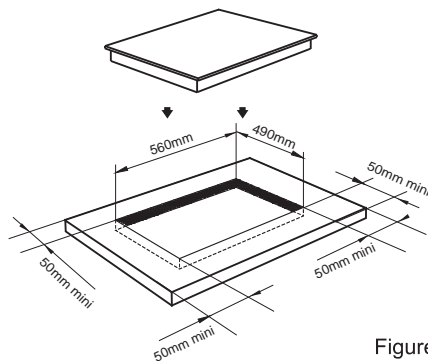
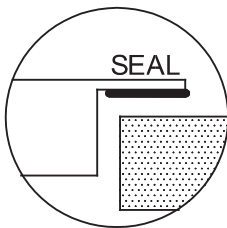


Figure (1)

- Under any circumstances, make sure the ceramic cooktop is well ventilated and the air inlet and outlet are not blocked. Ensure the ceramic cooktop is in good work state. As shown in Figure (2)

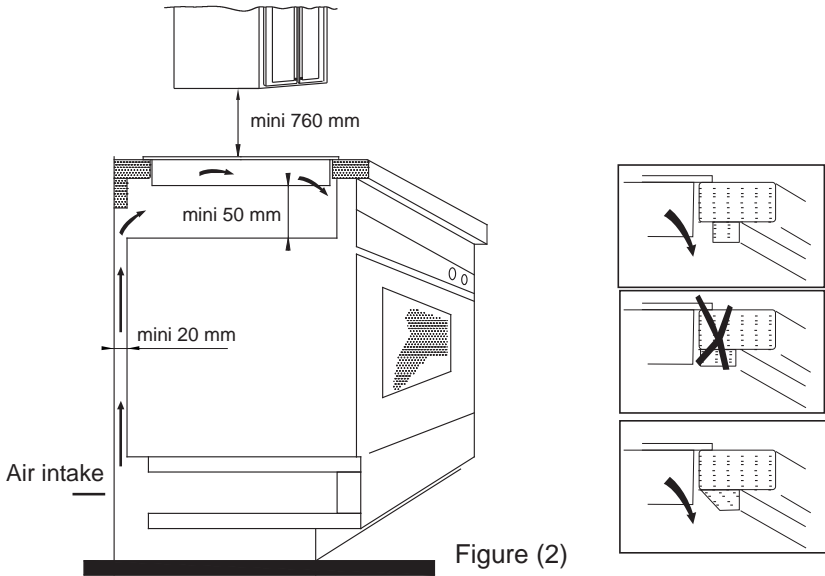
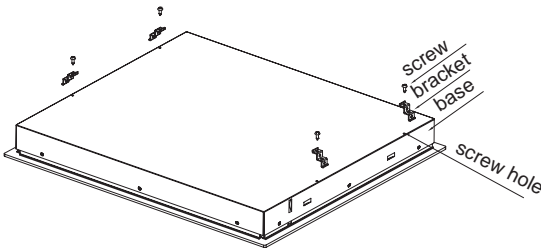


Figure (2)

- Note: The safety distance between the ceramic cooktop and the cupboard above the cooktop should be at least 760mm.

Fix the hob on the table by screw four brackets on the bottom of cooktop (see picture) after installation. Adjust the bracket position to suit for different table top thickness.



## Cautions

1. The ceramic cooktop must be installed by a qualified, licensed electrician. Please never conduct the operation by yourself.
2. The ceramic cooktop shall not be mounted to cooling equipment, dishwashers and rotary dryers.
3. The ceramic cooktop shall be installed such that better heat radiation can be ensured to enhance its reliability.
4. The wall and induced heating zone above the table surface shall withstand heat.
5. To avoid any damage, the sandwich layer and adhesive must be resistant to heat.
6. A steam cleaner is not to be used.
7. A board is must to be installed underneath the cooktop.

### ● Power line connection

The socket shall be connected according to the relevant standard or connected to a single-pole cut-out. The method of connection is shown in Figure (3):

Vol tage&frequency	Wire connection				
220-240V 50\60HZ	1 •	2 • L	3 •	4 • N	5 • ⏏
	Black&Brown		Gray&Blue		Yellow/Green
220-240V 2+2-N 50\60HZ	1 • L1	2 • L2	3 • N1	4 • N2	5 • ⏏
	Black	Brown	Gray	Blue	Yellow/Green

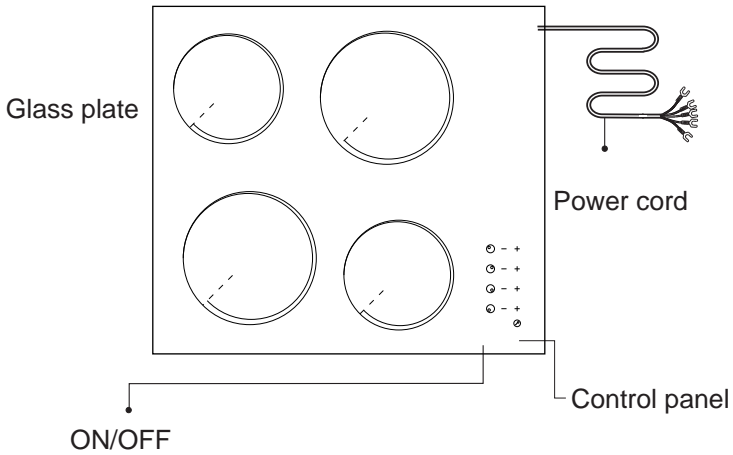
Figure (3)

If the cable is damaged or to be replaced, the operation must be carried out by the after-sale agent with dedicated tools to avoid any accidents. If the appliance is being connected directly to the mains an omnipolar circuit-breaker must be installed with a minimum opening of 3mm between contacts. The installer must ensure that the correct electrical connection has been made and that it is compliant with safety regulations.

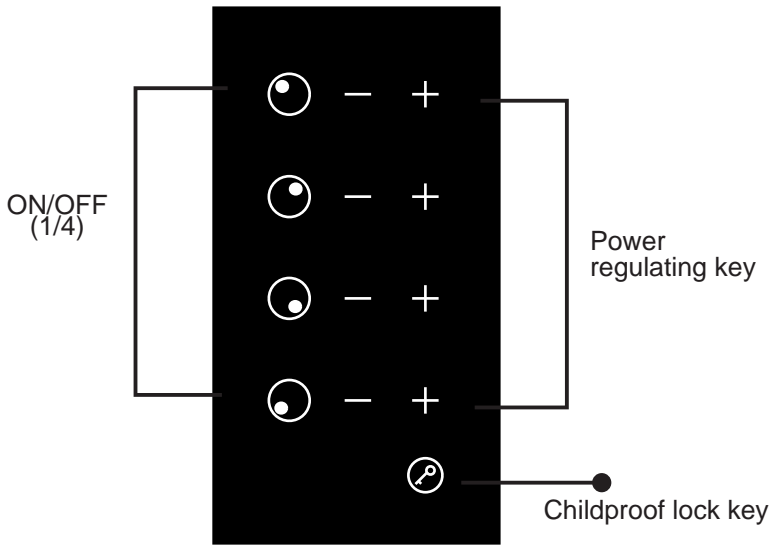
The cable must not be bent or compressed.

The cable must be checked regularly and replaced by authorised technicians only.

## The ceramic cooker hob appearance



## Schematic diagram of the control panel



## Instructions for Use

Put the pot in the center of the heating zone.

Preparation before using

After power on, a signal will sound, the four power indicator displays light up for 1 second then go out, indicating the ceramic cooker hob enters into standby mode.

Operation Instructions:

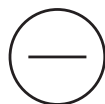
Touch the "ON/OFF" symbol for the corresponding heating zone where there is a pot on it, and the corresponding indicator displays "-". Then you can set the heat setting by touching the "+" or "-" symbol.



ON/OFF

Note: 1. If there is no any heat setting within 1 minute after touching the "ON/OFF" symbol, the heating zone will restore to the standby working mode.

2. Every heating zone is independent each other.



Childproof lock: To ensure the safety of children, the hob is provided with the function of childproof lock.



Activating the childproof lock: When the lock is deactivated, touch the "childproof lock" symbol to activate the childproof lock. However when in the locked position, the "I" touch control has priority and cuts off the power to the hob. And the other buttons are disabled except the "I" touch control button and the "Lock" button.



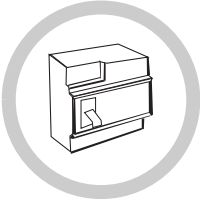
Child proof

Deactivating the childproof lock: When the hob in the locking mode, you can deactivate the childproof lock by holding the "childproof lock" symbol.

The power of each heating zone are shown as follow:

Heating zone	Left rear	Right rear	Right front	Left front
Power	1200W	1800W	1200W	1800W

## Safety Reminding and Maintenance



A dedicated power protection air switch with protection air switch must be incorporated in the fixed wiring in accordance with the wiring rules.



Never use the ceramic cooktop in high temperature environments such as near a gas stove or kerosene stove.



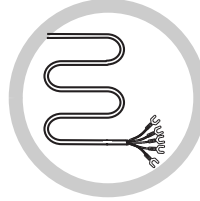
Do not put any detergents or flammable materials in the equipment installed under the ceramic cooktop.



Do not leave metallic objects, such as knives, forks, spoons and lids on the hob as they may get hot.



For sealed foods such as canned goods, please do not heat them before opening their covers so as to avoid any dangers of explosion due to heating expansion.



If the supply cord is damaged, it must be replaced by the manufacturer, its service agent or similarly qualified persons in order to avoid a hazard.



Do not place rough or uneven appliances, which may damage the ceramic surface.



If the surface is cracked, switch off the appliance to avoid the possibility of electric shock.



Never wash the induction cooktop with water directly to avoid danger.



Never have the ceramic cooktop to work without food inside, otherwise its operational performance may be affected and danger may happen.



After being used for a long time, the corresponding heating zone of the ceramic cooktop is still hot. Never touch the ceramic surface to avoid burning.

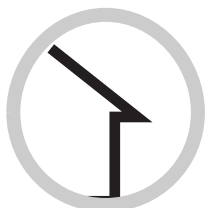


Keep electrical appliance out of reach from children or inform person. Do not let them use the appliances without supervision.





**DISPOSAL:** Do not dispose this product as unsorted municipal waste. Collection of such waste separately for special treatment is necessary.



Indoor use only.



Clean the ceramic cooktop on a regular basis to prevent foreign matters from entering the fan thus influencing the normal operation.

## Cleanness and Maintenance

You can easily clean the surface of the ceramic cooktop if following the methods given in the table.

Type of contamination	Method of cleaning	Articles used for cleaning
Light	Clean with hot water and damp sponge	Cleaning sponge
Accumulation of dirt	Clean with hot water and abrasive sponge	Special cleaning sponge for ceramic glass
Rings and lime crumbles	Apply white vinegar to the polluted zone, then wipe it dry with soft cloth or a special article available in local markets	Special adhesive for ceramic glass
Sweetmeat, melt aluminum or plastics	Use a scraper suitable for ceramic glass (to protect glass, a silicon product is preferred) to remove residuals	Special adhesive for ceramic glass

Hint: please disconnect power before the cleaning.