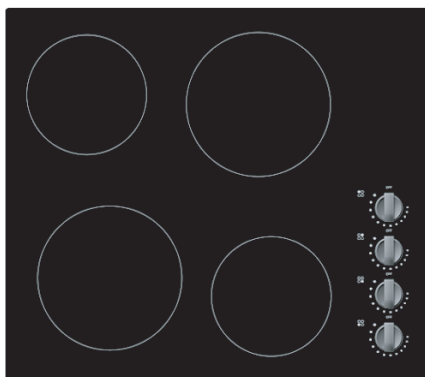


User Manual

Ceramic Cooktop

CRKL607



Dear customer,

Thank you for purchasing this ceramic cooktop.

Please ensure you read this manual carefully before using and installing your cooktop.

Product Introduction

The CRKL607 mechanical ceramic cooker hob can meet different kinds of cuisine demands because of resistance wire heating, mechanical computerized control, really the optimal choice for modern families.

The ceramic cooker hob centers on customers and adopts personalized design. The hob has safe and reliable performances, making your life comfortable and enabling to fully enjoy the pleasure from life.

Working Principle

The CRKL607 mechanical ceramic cooker hob directly employs resistance wire heating, and adjust the output power by the power regulation with the mechanical control knobs

Safety

- High temperature protection

The temperature sensor mounted on the radiant electric the temperature inside the cooker from time to time. When an excessive temperature is detected, the cooking plate will be directly disconnected and stop power output.

- Residual heat indicators

After using the hob, waste heat remains in the heating area. The indicator lamp will light up, warning to be away from the heating area.

Installation

- Selection of installation equipment

Drill holes on the table surface according to the sizes shown in the drawing. For the purpose of installation and use, a minimum of 50 mm space shall be preserved around the hole.

Be sure the thickness of the table surface is at least 30mm. Please select heat-resistant table material to avoid larger deformation caused by the heat radiation from the hotplate.

As shown in Figure (1)

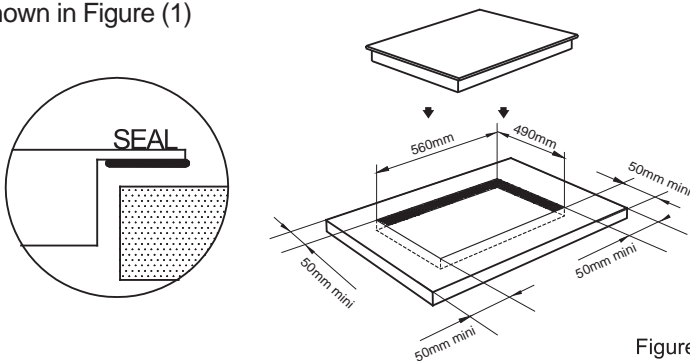


Figure (1)

- Under any circumstances, make sure the ceramic cooker hob is well ventilated and the air inlet and outlet are not blocked. Ensure the ceramic cooker hob is in good work state. As shown in Figure (2)

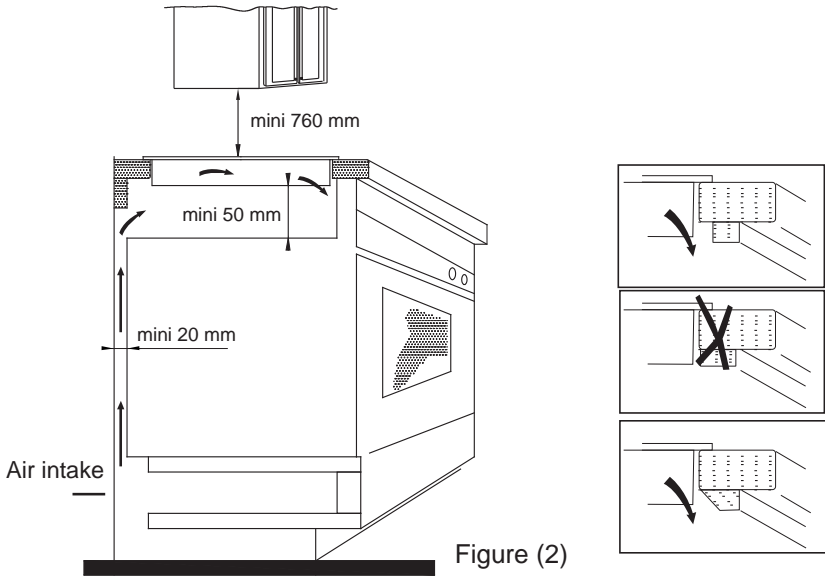
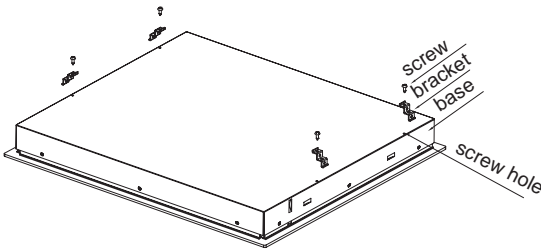


Figure (2)

- Note: The safety distance between the ceramic hob and the cupboard above the hotplate should be at least 760mm.

Fix the hob on the table by screw four brackets on the bottom of hob (see picture) after installation. Adjust the bracket position to suit for different table top thickness.



Cautions

1. The ceramic cooktop must be installed by a qualified Technician. Should you require a Technician please visit www.applico.co.nz.
2. The ceramic cooker hob shall not be mounted to cooling equipment, dishwashers and rotary dryers.
3. The ceramic cooker hob shall be installed such that better heat radiation can be ensured to enhance its reliability.
4. The wall and induced heating zone above the table surface shall withstand heat.
5. To avoid any damage, the sandwich layer and adhesive must be resistant to heat.
6. A steam cleaner is not to be used.
7. A board must be installed underneath the hob.

● Power line connection

The socket shall be connected according to the relevant standard or connected to a single-pole cut-out. 30 minimum supply.

The method of connection is shown in Figure (3):

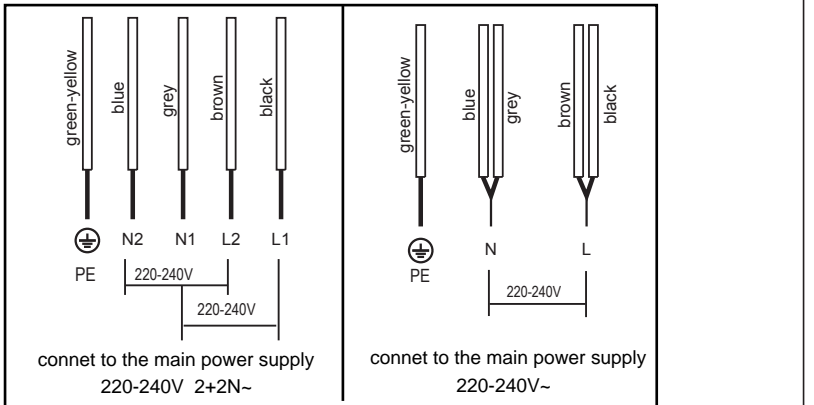


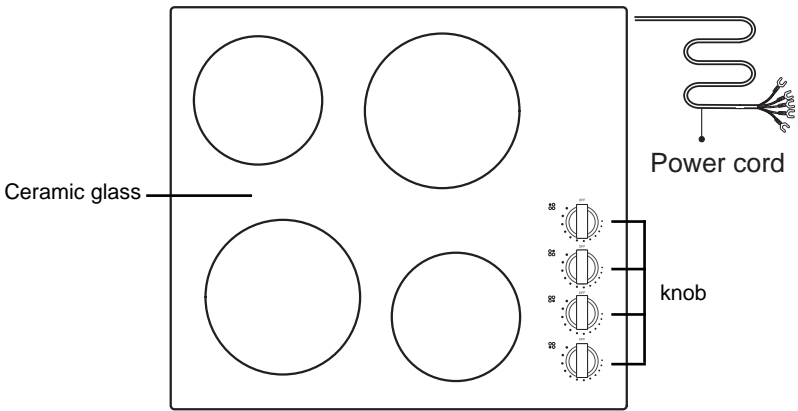
Figure (3)

If the cable is damaged or to be replaced, the operation must be carried out by the after-sale agent with dedicated tools to avoid any accidents. If the appliance is being connected directly to the mains an omnipolar circuit-breaker must be installed with a minimum opening of 3mm between contacts. The installer must ensure that the correct electrical connection has been made and that it is compliant with safety regulations.

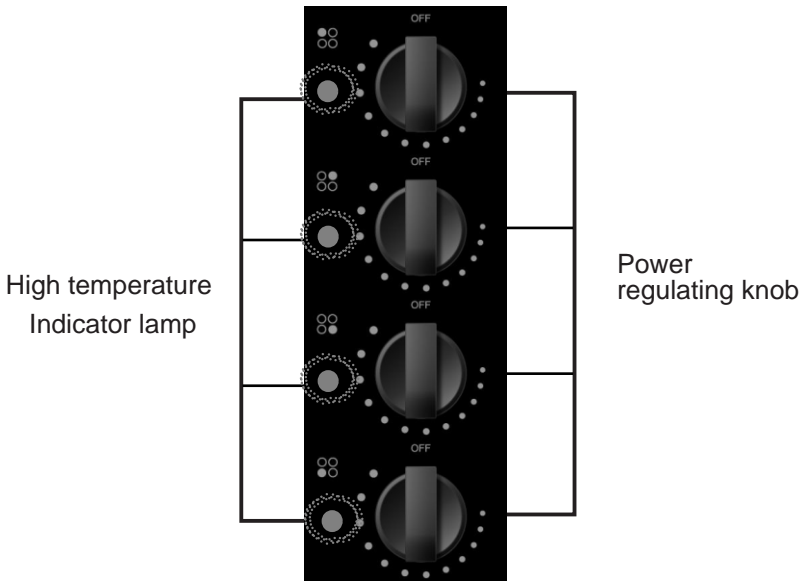
The cable must not be bent or compressed.

The cable must be checked regularly and replaced by authorised technicians only.

The ceramic cooker hob appearance



Schematic diagram of the control panel



Instructions for Use

Put the pot in the center of the heating zone.

Operation Instructions:

After the power supply is connected, put the pot on the center of the ceramic plate, Turn the knob clockwise or anticlockwise to turn on the hob.

High temperature indicator lamp:

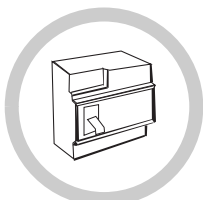
While the glass plate is hot, the indicator lamp will light up and will fade out once cooled.

Shut down : After using, please turn the knob to "OFF", the hob will stop heating.

The power of each heating zone are shown as follow:

Heating zone	Left rear	Right rear	Right front	Left front
Power	1200W	1800W	1200W	1800W

Safety Reminder and Maintenance



A dedicated power protection air switch protection air switch must be incorporated in the fixed wiring in accordance with the wiring rules.



Never use the cooktop near high temperature environments such as gas stoves.



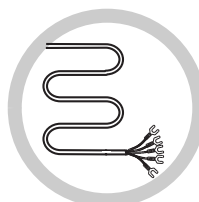
Do not put any detergents or flammable materials in the equipment installed under the ceramic cooker hob.



Do not place Metallic objects such as knives, forks, spoons and lids directly onto the elements during use.



Do not place sealed foods such as canned goods directly onto the elements.



If the supply cord is found to be damaged, it must be replaced by a qualified Technician.



Do not place rough or uneven appliances, which may damage the ceramic surface.



If the surface is cracked, switch off the appliance to avoid the possibility of electric shock.



Never wash the induction cooker with water directly to avoid danger.



Never place empty pots and pans onto the elements during use.



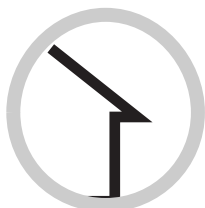
Do not touch the cooktop directly after use. Allow to cool down first.



Keep electrical appliance out of reach from children. Do not let them use the appliances without supervision.



DISPOSAL: Do not dispose this product as unsorted municipal waste. Collection of such waste separately for special treatment is necessary.



Indoor use only.



Clean the ceramic cooker hob on a regular basis to prevent foreign matters from entering the fan thus influencing the normal operation.

CLEANING AND MAINTENANCE GUIDE

FOR EASY CLEANING OF YOUR COOKTOP READ THE FOLLOWING METHODS SHOWN IN THE TABLE.

Type of contamination	Method of cleaning	Articles used for cleaning
Light	Clean with hot water and damp sponge	Cleaning sponge
Accumulation of dirt	Clean with hot water and abrasive sponge	Special cleaning sponge for ceramic glass
Rings and lime crumbles	Apply white vinegar to the polluted zone, then wipe it dry with soft cloth or a special article available in local markets	Special adhesive for ceramic glass
Sugar or food/ liquid containing sugar	Use a scraper suitable for ceramic glass (to protect glass, a silicon product is preferred) to remove residuals	Special adhesive for ceramic glass

Hint: please disconnect power before the cleaning.

Maintenance Service Warranty

For any failure of the product, please contact the special maintenance department or the customer service center.

1. There is a year's guarantee with the our brand ceramic cooker hob.
2. The period of warranty shall start from the date on which the invoice is issued.
3. Any one of the following cases is without the warranty:
 - Damages caused by improper use, storage and maintenance of the consumer.
 - Damages caused by unauthorized disassembly and repair in the maintenance department not designated by the company. Model of invoice and model of product maintained are not in conformity or are altered.
 - Valid invoice can not be presented.
 - Damages caused by force majeure.
 - Using the ceramic cooker hob for commercial purposes.

Special Declaration

All the contents in this material have been subjected to careful check. For any mistake and omission in printing or misunderstanding of the contents, the company keeps the right of interpretation.

Addition: any technical improvement will be placed in the revised manual without notice; for product appearance and color is according to the actual one
