

User Manual

LED Table Lamp Applicable to: MTD4.5-M/K-19

Thank you for purchasing Midea products. Please read this manual carefully before use and keep it properly.

Overview

Basic functions: The lamp emits rays in a centralized manner to provide local illumination in working areas, such as study room.

Application sites: Studies, bedrooms, offices etc.

Features: Professional optical design, without causing dazzle or glare;

Power driven by constant current, uniform lighting, safe, and insulated;

Light adjustment by touching, simple and elegant, addressing the needs for different brightness;

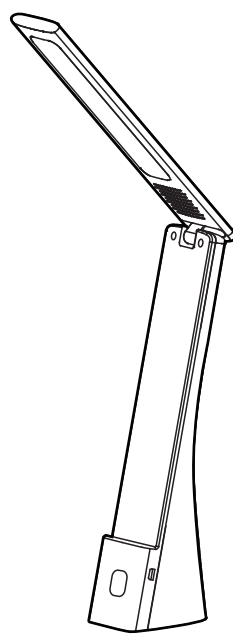
Product parameter tablemp:

Net weight	0.45kg	Rated input	5V $\overline{\text{---}}$
Power cable length	80cm	Power of light source	4.5W (23 \times 0.2W/LED Module)
Casing materials	ABS	Power-on/off mode	Touch switch
Packaging details	User Manual + USB cable +lamp body	C.T.I	80
Dimension	212 \times 50 \times 265mm	C.C.T	3000/5000K

⚠ Safety Precautions

To prevent accidents such as damage, fall, electric shock and fire, which may cause personal injury, please install and use the lamp in strict accordance with the instructions, and do not alter the lamp or replace components.

- Don't use the power supply beyond the rated voltage range.
(If it works for a long time beyond the rated voltage range, it can be damaged.)
- Don't place the lamp in an unstable place.
- Don't place the luminaire in a humid environment.
- Don't be used in parallel with the dimmer.
(if parallel with the dimmer, may cause a failure.)
- Ask a specialized technician to check or repair the lamp.
(Operations performed by a non-professional staff may cause danger.)
- In case of exception, cut off the power supply immediately and contact the sales outlet.
(When requesting for a maintenance service, provide the model information which can be found on the label attached to the lamp body.)



Warranty Card

Product name _____ Date of purchase _____
 Specification _____
 Distributor _____
 Contact number _____
 Contact address _____

Distributor (seal required)

Date	Maintenance Record	Signature

Midea Appliances Australia
 7 Ordish Rd, Dandenong South, VIC 3175
 Website: midea.net.au



Thank you for purchasing Midea products.

The warranty for the light source and electronic parts lasts for two years following the purchase date. The warranty does not cover plastic parts.

Warranty and services:

Within one year from the date of purchase, in case of any damage due to the manufacturing process or component, Midea's sales store will provide free repair service to the holder of the warrant card with the purchase certificate and replace the component or the entire product (light source excluded) if necessary.

Warranty rules:

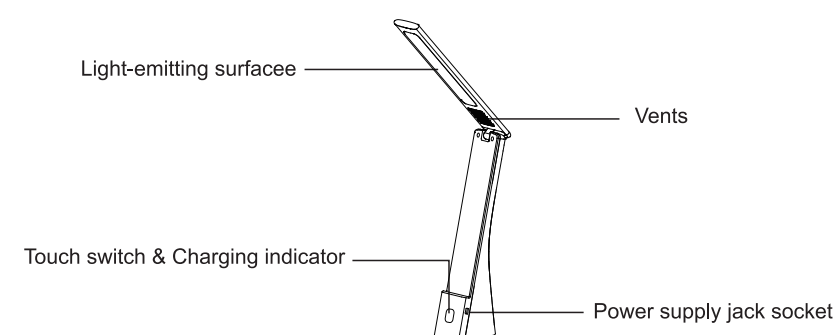
The following are not covered by warranty:

1. Damage due to improper use, for example, connection to an improper power supply, use of an inappropriate accessory, incorrect installation, use not in accordance with the Manual, incorrect use, or carelessness. Damage due to transportation or other unexpected incidents. Damage due to unauthorized maintenance or modification of the product. Damage due to other force majeure (such as natural disasters, abnormal voltage, etc.)
2. Damage due to use other than for household use.
3. Aging and wear of the product during use, which do not affect the normal use of the product.

4

Name and Operation Method of Main Parts

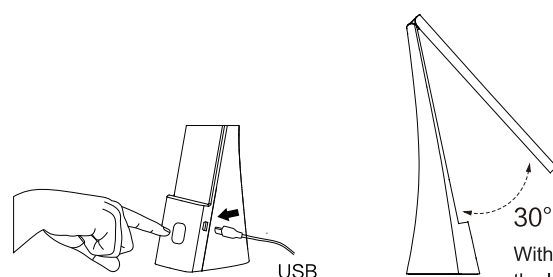
1. Names of Parts:



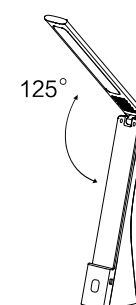
2. Operating Methods:

Operating Instructions of Lamp:

- Compound button: touch the button with your finger, the LED desk lamp will light up immediately. Repeatedly short press this button to realize the cycle of low light - medium light - high light - turn off.
- Press and hold the power button for 2 seconds at any brightness, you can operate the cycle of three colour temperatures of "cold light - natural light - warm light".
- After the user stays in any brightness and colour temperature gear for more than 20 seconds, when the button is short pressed again, the light will be directly turned off.
- When the folding angle between the lamp holder and the lamp pole is less than $30^{\circ} \pm 5^{\circ}$, the desk lamp will automatically disconnect the power to prevent the desk lamp from turning on due to accidentally touching the switch key.
- Touch panel indicator light description:
 Blue light: light on state.
 Red light: battery charging status.
 Green light: battery is fully charged.



2



Adjustment range: As shown above) up and down adjustment 125° .
(over-adjusting the movable joint part of the product will cause the lamp to be damaged)

When the lamp is stored for a long time, the battery needs to be charged once every 3 months to avoid battery damage due to long periods of non-use.

Precautions

- The lamp must be used together with the dedicated USB cable provided by Midea. The USB cable cannot be changed at will.
- If the external soft cable or cord of this lamp is broken, ask the manufacturer or other service agents or electricians to replace them to avoid danger.
- The lamp should be used on a flat support surface at a slope of not greater than 6 degrees to ensure that the lamp does not fall when it is being used.
- Do not touch the hot part of the lamp when the lamp is still on or within several minutes after the lamp is turned off, to avoid scalding yourself.

⚠ **Warning** The light source of the lamp is not replaceable. Replace the entire lamp at the end of its service life.

Maintenance

⚠ Warning

Shut down power, and then remove the LED control device. Clean it only after the light source is completely cooled.

- To use this product safely and efficiently, please regularly clean and check the product (Once every half a year is recommended).
- To clean the lamp, dry a soft cloth dampened with soapy water, and use it for cleaning. After that, use a dry cloth to dry the lamp.
- Do not use highly volatile or highly corrosive liquid (such as gasoline and banana oil) to wipe the lamp. Otherwise, the lamp may be discoloured or damaged.

Fault Rectification

Check the following item if an exception occurs.

- Symptom: The lamp is not lit.
 Check item: Check whether the plug of the LED control device is closely inserted.
 Troubleshooting: Connect the LED control device plug properly.
- Check item: Rechargeable battery is exhausted
 Troubleshooting: Recharge the lamp for use

3