

Manual Edition 1.0, July 2018
IB-200-S3000P-00

Edifier International Limited
P.O. Box 6264
General Post Office
Hong Kong

Tel: +852 2522 6989
Fax: +852 2522 1989
www.edifier.com

© 2018 Edifier International Limited. All rights reserved.
Printed in China

NOTICE:

For the need of technical improvement and system upgrade, information contained herein may be subject to change from time to time without prior notice.

Products of EDIFIER will be customized for different applications. Pictures and illustrations shown on this manual may be slightly different from actual product. Picture for reference only, actual product prevails.

EDIFIER®

S3000 Pro

Multimedia Speaker

User manual | Manuel d'utilisateur | Manual de usuario | Bedienungsanleitung | Manuale dell'utente | Manual do utilizador

Important safety instruction

1. Please read the instructions carefully. Keep it in safe place for future reference.
2. Use only accessories approved by the manufacturer.
3. Install the instrument properly by following the instructions in the device connection section.
4. Using the product in a 0-35°C environment is recommended.
5. To reduce the risk of fire and electric shock, do not expose the product to rain or moisture.
6. Do not use this product near water. Do not immerge the product into any liquid or have it exposed to dripping or splashing.
7. Do not install or use this product near any heat source (e.g. radiator, heater, stove, or other devices that generate heat).
8. Do not place any object filled with liquids, such as vases on the product; neither should any open fire, such as lighted candles be placed on the product.
9. Do not block any ventilation openings. Do not insert any object into ventilation openings or slots. It may cause fire or electric shock.
10. Keep sufficient clearance around the product to maintain good ventilation (minimum 5cm is recommended).
11. Do not force a plug into the jack. Before connection, check for blockage in the jack and whether the plug matches the jack and is oriented to the right direction.
12. Keep the provided accessories and parts (such as screws) away from children to prevent from being swallowed by mistake.
13. Do not open or remove the housing yourself. It may expose you to dangerous voltage or other hazardous risks. Regardless the cause of damage (such as damaged wire or plug, exposure to liquid splash or foreign object falling in, exposure to rain or moisture, product not working or being dropped, etc.), the repair has to be performed by an authorized service professional immediately.
14. Before cleaning the product with dry cloth, always turn off the product and disconnect the power plug first.
15. Never use strong acid, alkali, gasoline, alcohol, or other chemical solvents to clean the product surface. Use only neutral solvent or clear water for cleaning.



Excessively loud music may lead to hearing loss. Please keep the volume in a safe range.



Correct Disposal of this product. This marking indicates that this product should not be disposed with other household wastes throughout the EU. To prevent possible harm to the environment or human health from uncontrolled waste disposal, recycle it responsibly to promote the sustainable reuse of material resources. To return your used device, please use the return and collection systems or contact the retailer where the product was purchased. They can take this product for environmental safe recycling.



Use only with the cart, stand, tripod, bracket, or table specified by the manufacturer, or sold with the apparatus. When a cart is used, use caution when moving the cart/apparatus combination to avoid injury from tip-over.

Important safety instruction

Power warning:

1. Place the product near the power outlet for easy use.
2. Before use, make sure that the operating voltage is the same as your local power supply. Correct operating voltage can be found on the product plate.
3. For safety purpose, unplug the product during lightning storms or when unused for extended periods of time.
4. Under normal conditions, the power supply may get hot. Please keep good ventilation in the area and exercise caution.
5. Safety warning labels on the housing or bottom of the product or power adaptor.



This symbol is to alert the user to the presence of un-insulated dangerous voltage within the product's enclosure that may be of sufficient magnitude to constitute a risk of electric shock to persons.



This symbol is to warn the user not to disassemble the enclosure of the product and there is no user-replaceable part inside. Take the product to an authorized service center for repair.



This symbol indicates that the product is for indoor use only.



This symbol indicates that the product is a CLASS II or double insulated electrical device with no earth requirement.

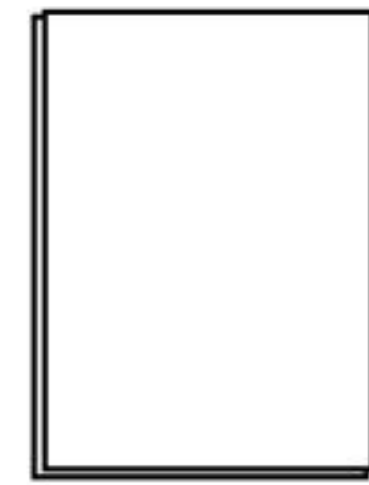
The MAINS plug is used as the disconnect device, the disconnect device shall remain readily operable.

For wireless product:

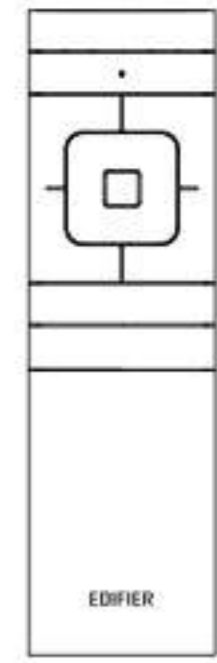
1. Wireless product may generate shortwave radio frequencies and interfere with the normal use of other electronic devices or medical equipment.
2. Turn off the product when it's disallowed. Do not use the product in medical facilities, on airplane, at gas stations, near automatic gates, automatic fire alarm system or other automated devices.
3. Do not use the product in the vicinity of a pacemaker within a 20cm range. The radio waves may affect the normal operation of the pacemaker or other medical devices.

Unpack the box

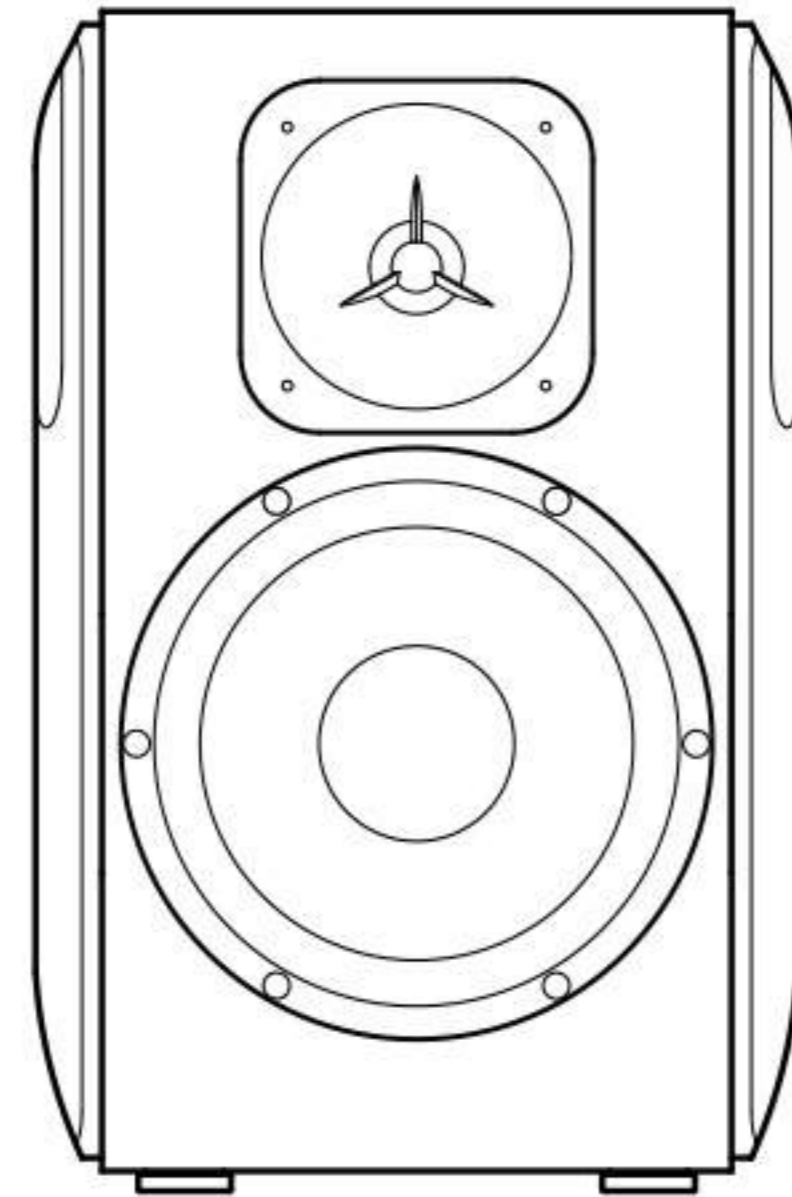
Box Contents



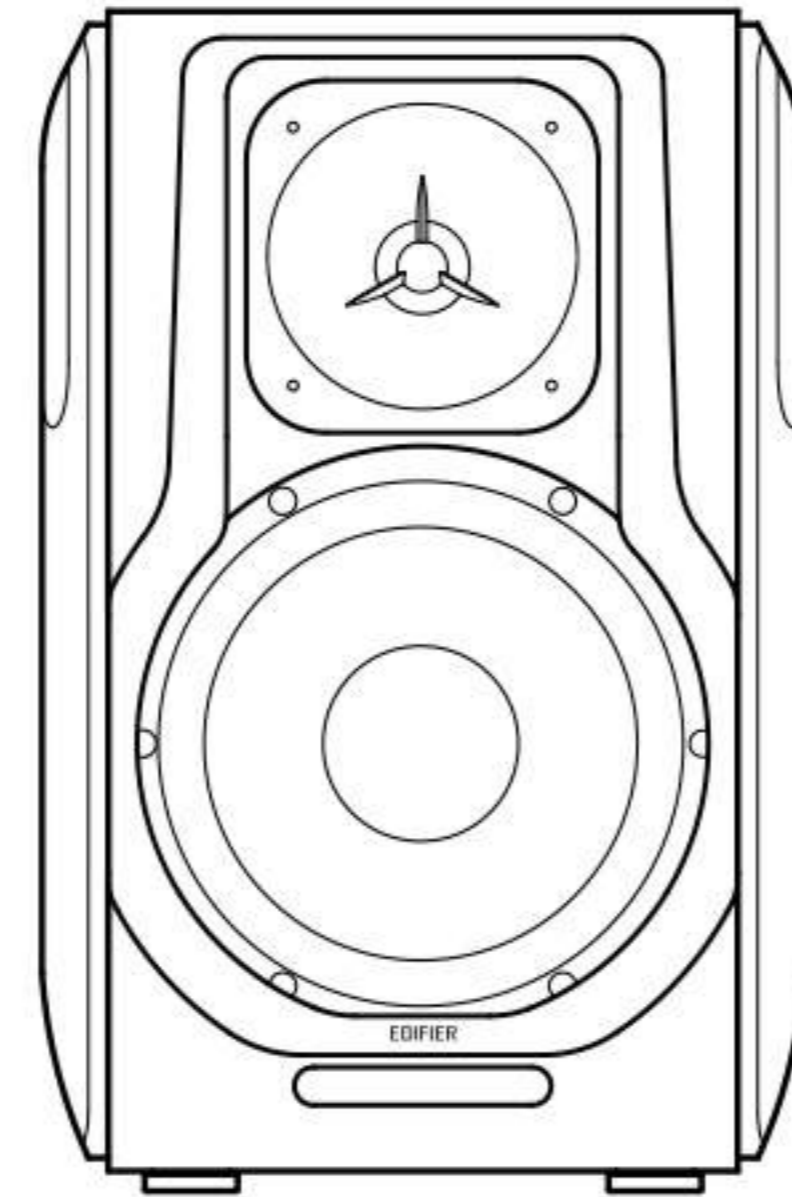
User manual



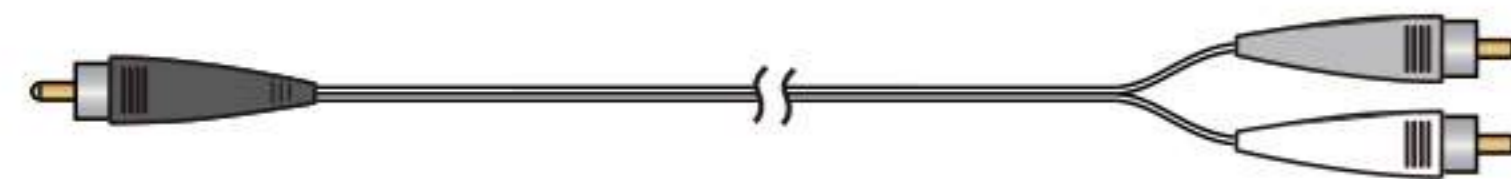
Remote control



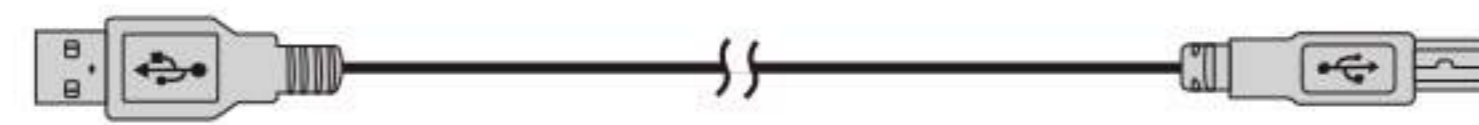
Passive speaker (L)



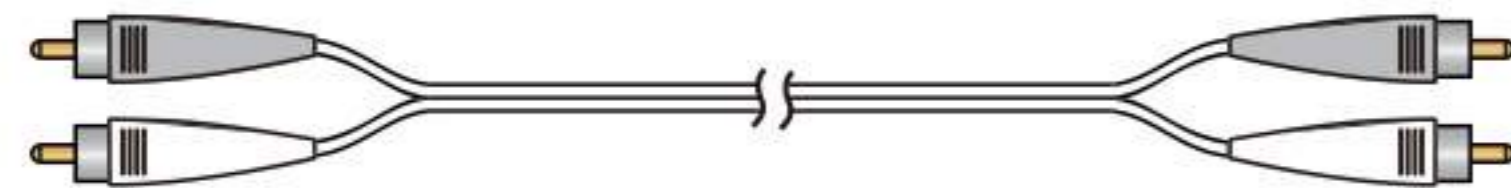
Active speaker (R)



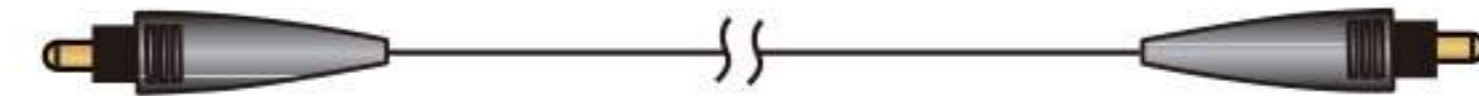
3.5mm - RCA audio cable



USB A-to-B data cable



RCA - RCA audio cable

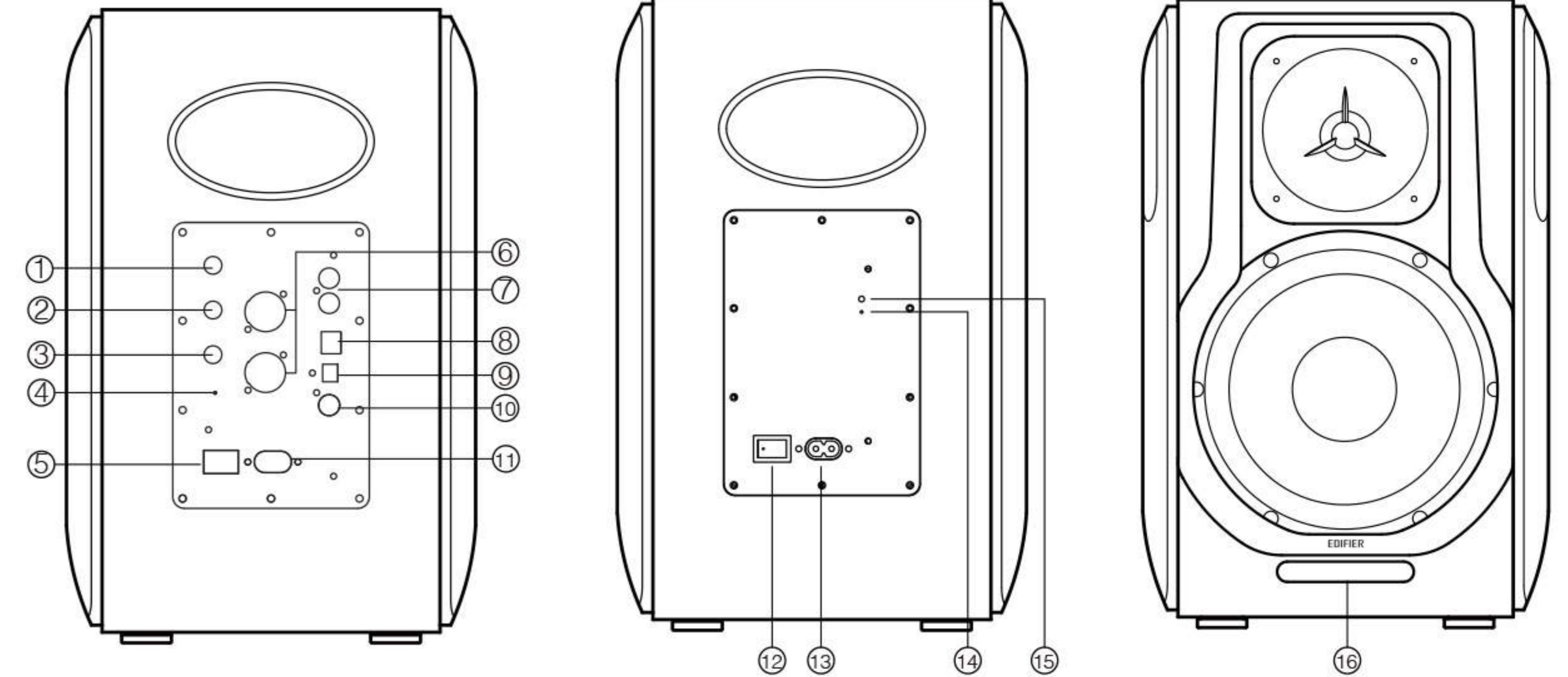


Fiber optic audio cable



Power cable x 2

Illustrations

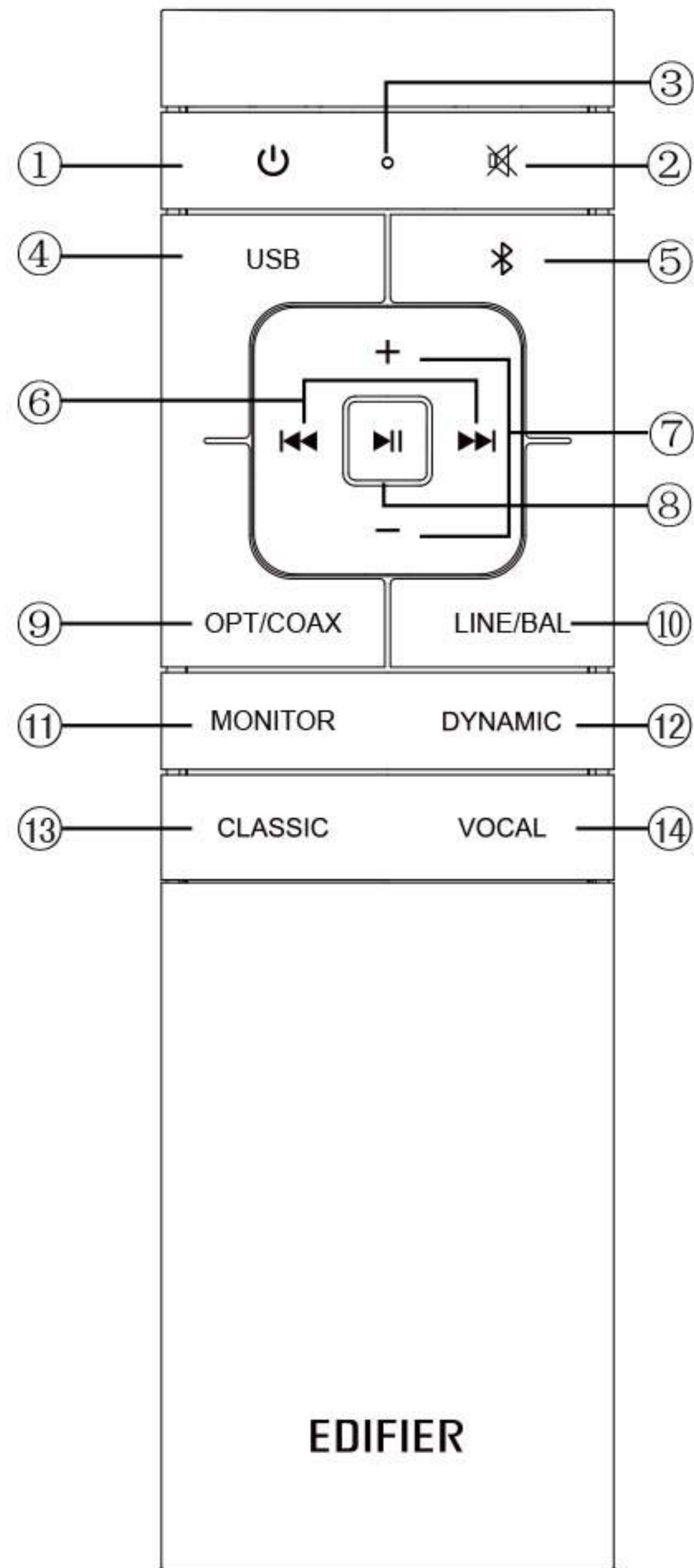


1. Volume dial/Input selection ("Click-in" to switch LINE→BAL→OPT→COAX→USB→ input)
2. Treble control
3. Bass control
4. Passive speaker pairing button
5. Power switch
6. Balanced input
7. Line in input
8. USB digital audio input
9. Optical input
10. Coaxial input
11. Power cable connector
12. Power switch

13. Power cable connector
14. Speaker pairing button
15. Status indicator
16. Display window
 - a. Display the current audio source:
LINE→BAL→OPT→COAX→USB→
 - b. Mode selection:
(MONITOR) monitor mode is on: LED flashes once
(DYNAMIC) dynamic mode is on: LED flashes twice
(CLASSIC) classic mode is on: LED flashes three times
(VOCAL) vocal mode is on: LED flashes four times

Remote control Illustration

Point the remote control to the remote receiving window on the speaker, the optimum operational distance is 7 meters.



1. Power ON/OFF
2. Mute
3. Remote control indicator
4. USB input
5. Bluetooth input (press and hold to disconnect Bluetooth)
6. Previous/next track (Bluetooth/USB audio sources only)
7. Volume up/down
8. Play/pause (Bluetooth/USB audio sources only)
9. Optical/coaxial input
10. Line in/balanced input
11. Monitor mode
12. Dynamic mode
13. Classic mode
14. Vocal mode

Four modes:

MONITOR mode: features a flat audio response curve, for sound with no coloration.

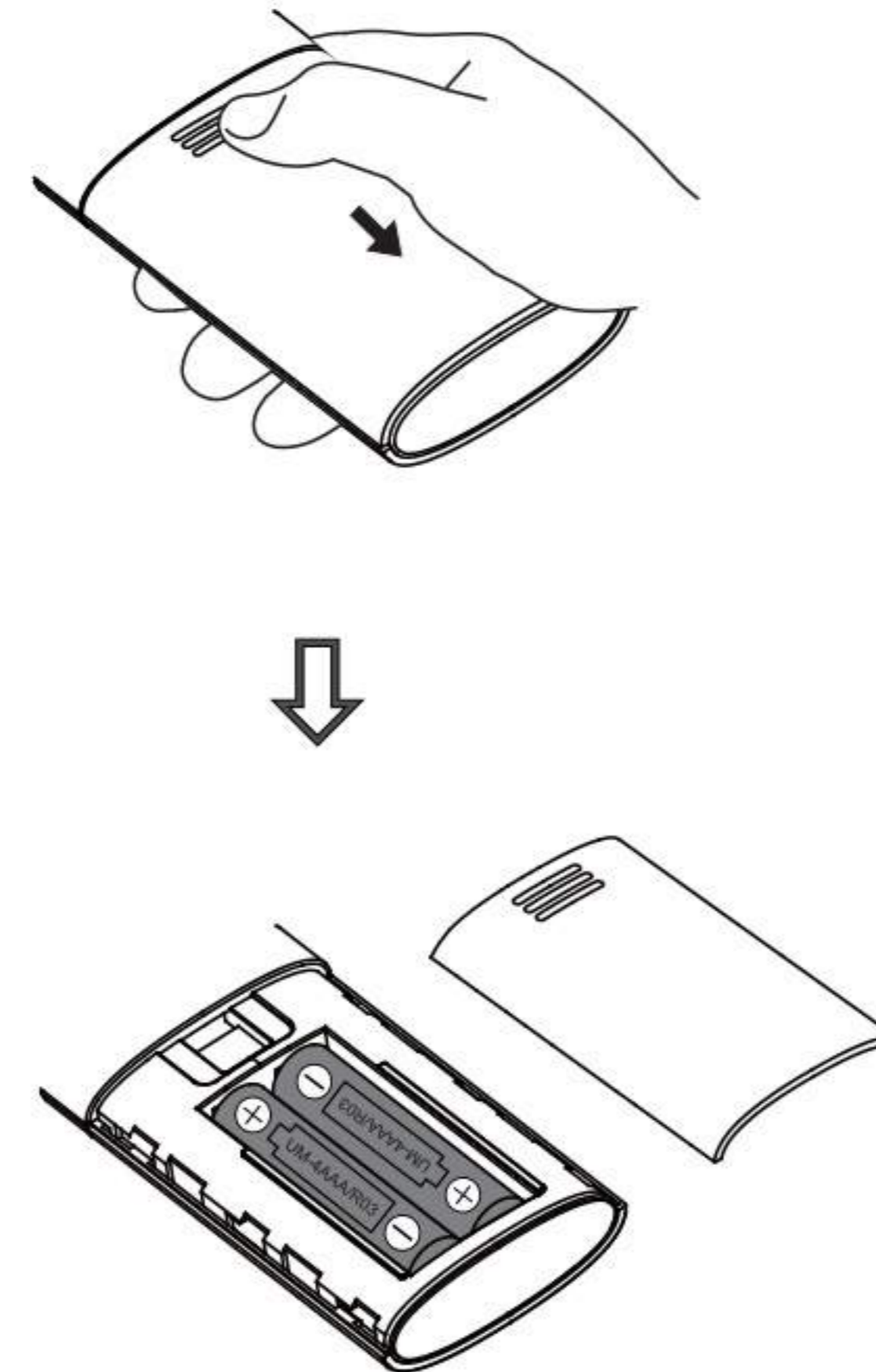
DYNAMIC mode: more punch, more dynamics.

CLASSIC mode: reproduces a classic HIFI sound.

VOCAL mode: human voice emphasized, singer's position will seem closer to listener.

Note: After being turned off/on or when audio source is changed, the speaker will return to CLASSIC mode by default, please manually set to other modes via remote control.

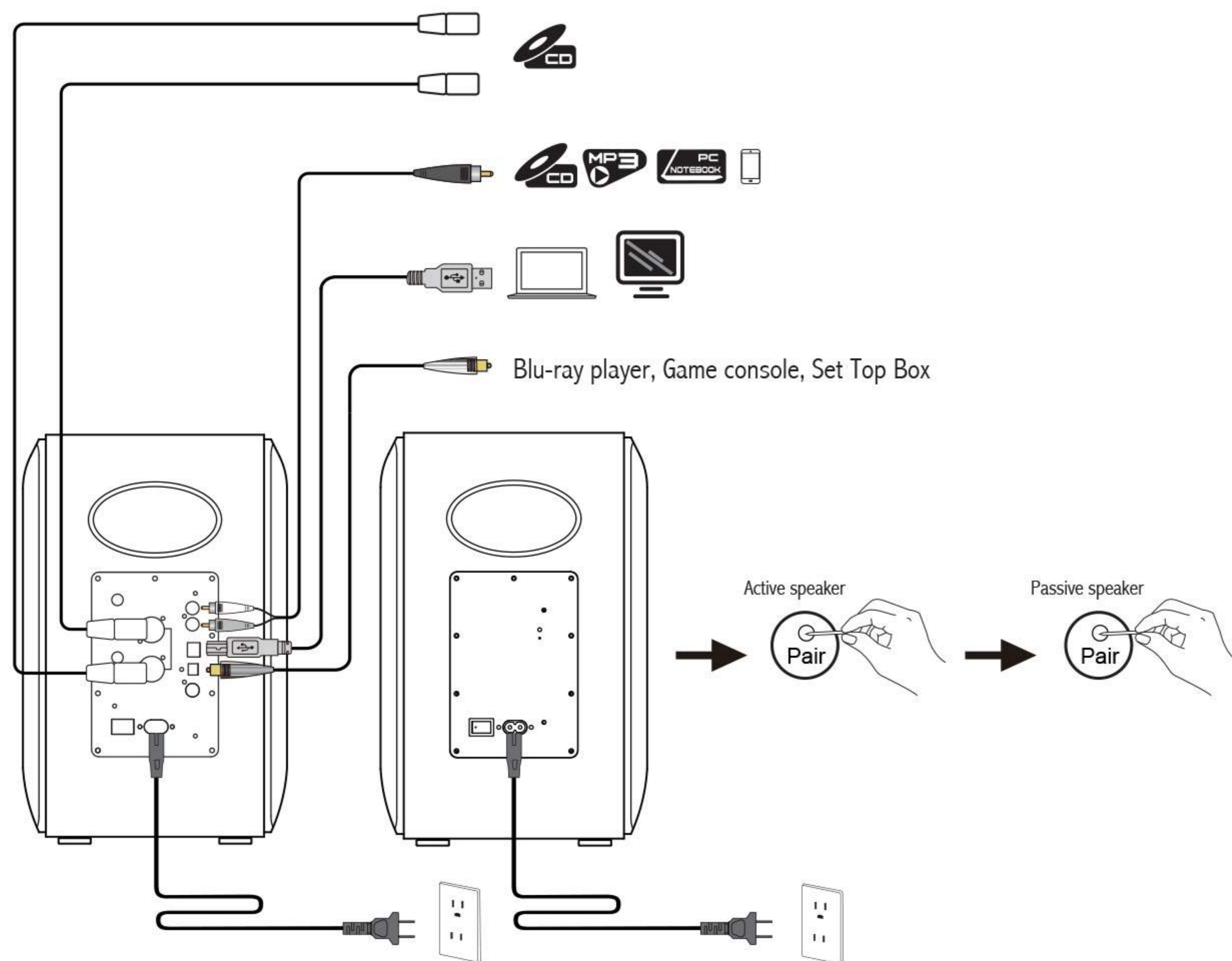
Remote Control Illustration



1. As the illustration shows, press remote control battery cover downward with thumb and follow the arrow direction to remove cover, uses two AAA batteries (note the "+" and "-" pole).
2. The battery life is normally about 6 months; please replace them when the remote control is not sensitive or the control distance is shortened.
3. Never use old and new batteries together.

Note:

1. Do not place the remote control in places that are hot and humid.
2. Do not charge the batteries.
3. Remove the batteries when unused for a long period of time to avoid battery leakage.
4. The battery should not be exposed to excessive heat such as direct sun, fire or similar.
5. Danger of explosion if battery is incorrectly replaced. Replace only with the same or equivalent type.



1. As the illustration shows, connect to audio sources using the corresponding audio cable.
2. Connect speakers to power source using power cables and turn power switch on, the speakers should be ready to go, LED light on the active speaker will display current audio source. Please select the correct audio source with the corresponding connection.

The active speaker (R) and passive speaker (L) have been paired before leaving the factory. The wireless connection will resume automatically when both speakers are powered on and the red indicator on the passive speaker is lit.

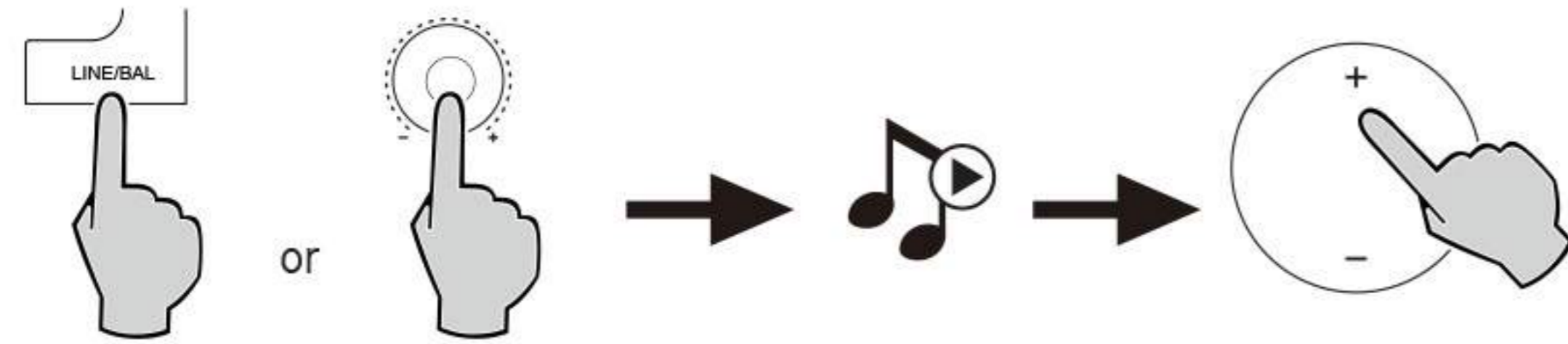
If the wireless connection fails to resume, please follow the steps below to re-pair.

1. Power on the active speaker, then press and hold the “Pair” button on the back panel of the active speaker (R), the current mode’s LED light in the display window will blink rapidly;
2. Press and hold the “Pair” button on the back panel of the passive speaker (L), the red indicator on the passive speaker (L) will blink rapidly.
3. Wait until the red indicator on the passive speaker (L) is lit constantly. Then the pairing is complete and wireless connection is made.

Note:

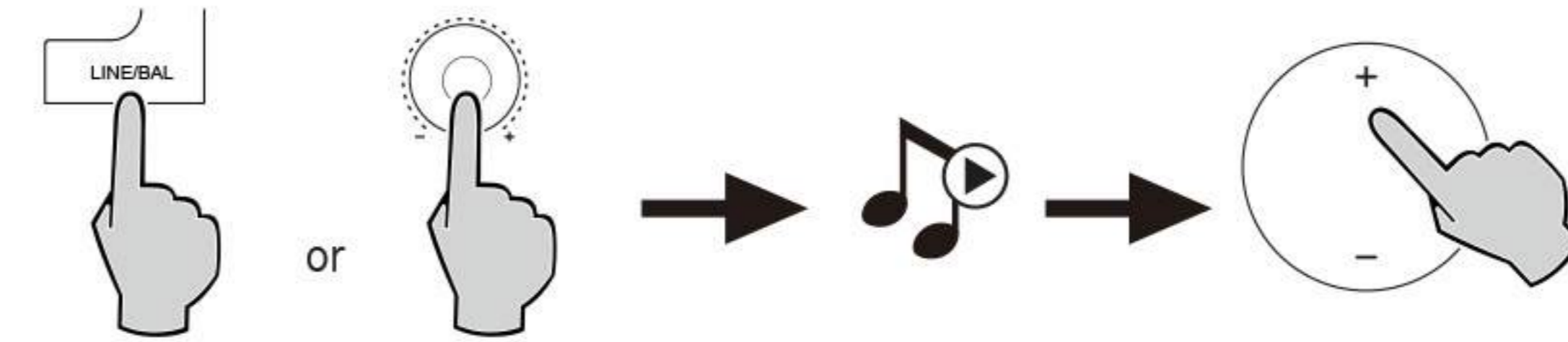
If the red indicator on the passive speaker (L) is in a breathing pattern, it indicates that there is no connection or the connection is unsuccessful, please repeat the above steps.

Balanced Input



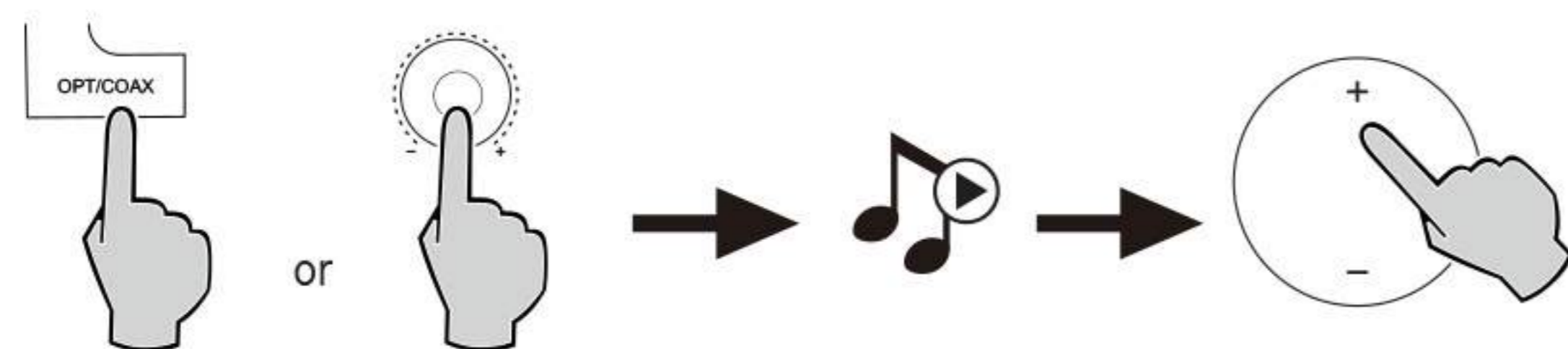
1. Connect audio source (CD player, decoder, etc.) to balanced input port on the rear panel of the active speaker using XLR balanced audio cable (XLR cable not included).
2. Press the “LINE/BAL” button on the remote control, or press the “Volume dial/Input selection” dial on the rear panel of the active speaker until LED indicator on the active speaker displays “BAL”.
3. Play music on the connected device and adjust the settings to a desired level.

Line in Input



1. Connect audio source (mobile phone, tablet, etc.) to Line in input port (note color matching) on the rear panel of the active speaker using 3.5mm-RCA audio cable or RCA-RCA audio cable.
2. Press the “LINE/BAL” button on the remote control, or press the “Volume dial/Input selection” dial on the rear panel of the active speaker until display window on the active speaker displays “LINE”.
3. Play music on the connected device and adjust the settings to a desired level.

Optical/Coaxial Input

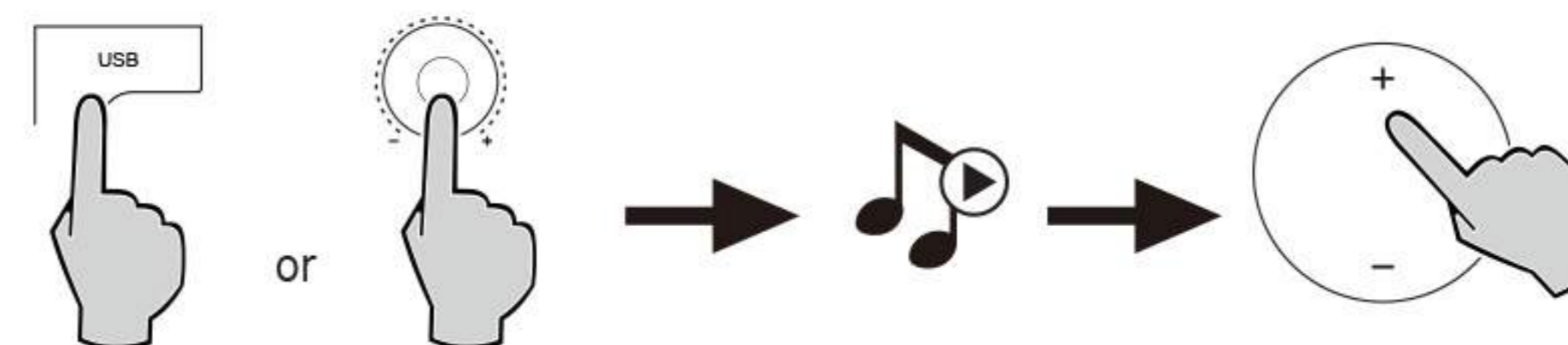


1. Connect audio source (Blu-ray player, Set Top Box, etc.) to optical or coaxial input port on the rear panel of the active speaker using fiber optic audio cable or coaxial cable (coaxial cable not included).
2. Press the “OPT/COAX” button on the remote control, or press the “Volume dial/Input selection” dial on the rear panel of the active speaker until display window on the active speaker displays “OPT” or “COAX”.
3. Play music on the connected device and adjust the settings to a desired level.

Note:

Only the standard PCM audio signals (44.1KHz/48KHz/96KHz/192KHz) function in optical/coaxial mode.

USB Digital Audio Input



USB interface chip in the S3000 Pro is a XMOS chip used by high-end audio equipment. After being connected to PC, USB interface will directly extract and play back digital audio signal in a manner similar to the “USB external sound card”, to avoid sound degradation and dynamic range compression caused by digital-to-analog conversion of PC sound card, and to ensure the restoration of original sound quality.

1. Please refer to the details on page 13 to download and install the driver program.
2. Connect USB A type port on PC to USB B type input port on the rear panel of the active speaker using USB A-to-B data cable.
3. Press the “USB” button on the remote control, or press the “Volume dial/Input selection” dial on the rear panel of the active speaker until display window on the active speaker displays “USB”.
4. Play music on the connected device and adjust the settings to a desired level.

USB Digital Audio Input

Note:

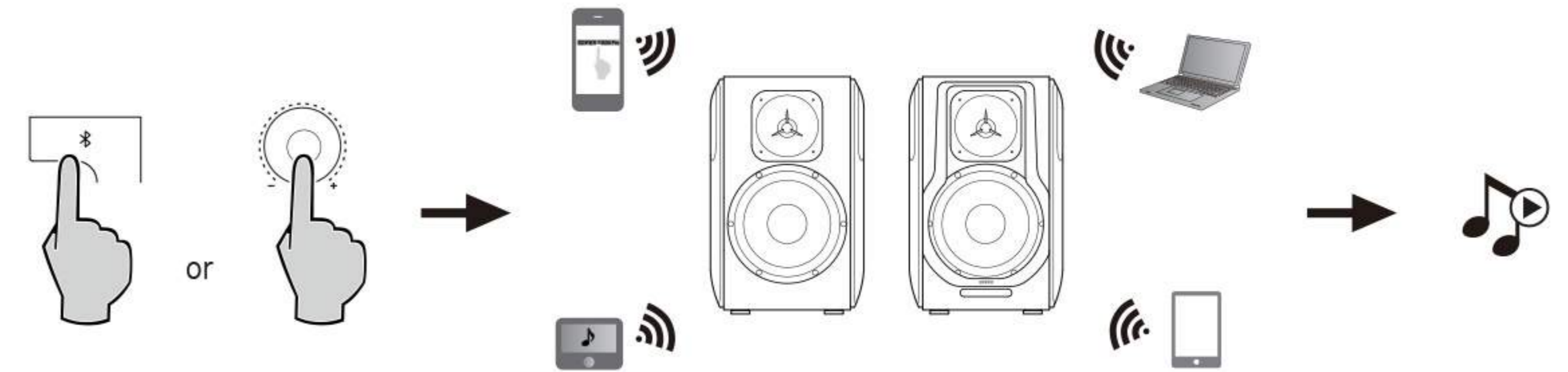
1. Default USB driver for audio on Windows 7/ Windows 10 operation system supports only USB Audio Class 1, which limits the audio stream to only 2 channels PCM with highest sample rate of 96KHz. To support PCM with higher sample rate, USB interface of S3000 Pro is built on USB Audio Class 2, therefore specific driver is needed for using with Windows 7/ Windows 10. Please refer to <https://www.edifier.com/cn/zh/speakers/S3000 Pro> for details.
2. Please understand Windows XP operation system is no longer maintained by Microsoft, driver software to work with Windows XP is no available. There may be risk warning during installation, please install according to your needs.
3. USB driver in Mac OS supports USB Audio Class 1 and USB audio Class 2 by default, therefore no dedicated driver software is needed for S3000 Pro to use with Mac computer.
4. For further information referring to the driver software, please log on the link below for details:
<https://www.xmos.com/support/usb-audio-driver-support>
5. If you need to buy USB A-to-B date cable, you can search for and buy it on various e-commerce platforms.
6. In USB mode, PCM stream with various sample rates is supported, including 44.1KHz/48KHz/96KHz/192KHz.



Note:

The play control under USB input belongs to USB HID control, this control needs support of player software, and so there may be compatibility differences for different audio player software.


Bluetooth Input

Bluetooth®



1. Press the “” button on the remote control, or press the “Volume dial/Input selection” dial on the rear panel of the active speaker until display window on the active speaker displays “”.
2. Set your Bluetooth device (mobile phone, tablet, etc.) to search for and connect to “EDIFIER S3000 Pro”.

Note:

- * The Bluetooth function of S3000 Pro can only be searched and connected in Bluetooth input. The current Bluetooth connection will be disconnected once the speaker switches to other audio inputs. When switched back to Bluetooth input, the speaker will try to connect to the device connected last time.
- * Pin code for connection is “0000” if needed.
- * To disconnect Bluetooth, press and hold the “” button on the remote control for 2 seconds.
- * To enjoy all Bluetooth functions of this product, please ensure your audio source device has A2DP and AVRCP profiles.
- * Bluetooth connectivity and compatibility may be different between different source devices, depending on the software versions of source devices.
- * The built-in Qualcomm® aptX™ decoder in the product helps to achieve better wireless transmission sound quality, therefore please use the device supporting Qualcomm® aptX™ as the audio source.

Specification

Power output:	R/L (treble): 8W+8W R/L (mid-range and bass): 120W+120W
Frequency response:	38Hz~40KHz
Input:	Line in / USB / Optical / Coaxial / Bluetooth / Balanced input
Frequency Band:	2.402GHz ~ 2.480GHz
RF Power output:	≤ 20 dBm (EIRP)

There is no restriction of use.




The Bluetooth® word mark and logos are registered trademarks owned by Bluetooth SIG, Inc. and any use of such marks by EDIFIER is under license. Other trademarks and trade names are those of their respective owners.



Qualcomm is a trademark of Qualcomm Incorporated, registered in the United States and other countries.
aptX is a trademark of Qualcomm Technologies International, Ltd., registered in the United States and other countries.

Qualcomm aptX is a product of Qualcomm Technologies, Inc. and/or its subsidiaries.

Troubleshooting

Problem	Solution
No sound	• Check if the power indicator light is ON.
	• Try to turn up the volume using either the master volume control or remote control.
	• Ensure the audio cables are firmly connected and the input is set correctly on the speakers.
	• Check if there is a signal output from the audio source.
Cannot connect via Bluetooth	• Make sure the speaker is switched to Bluetooth input. If it is in other audio input modes, Bluetooth will not connect. Disconnect from any Bluetooth device by pressing and holding  in Bluetooth mode, then try again.
	• Effective Bluetooth transmission range is 10 meters; please ensure that operation is within the range.
	• Try another Bluetooth device for connection.
The S3000 Pro does not turn on	• Check if main power is connected, or if the wall outlet is switched on.

To learn more about EDIFIER, please visit www.edifier.com

For Edifier warranty queries, please visit the relevant country page on www.edifier.com and review the section titled Warranty Terms.

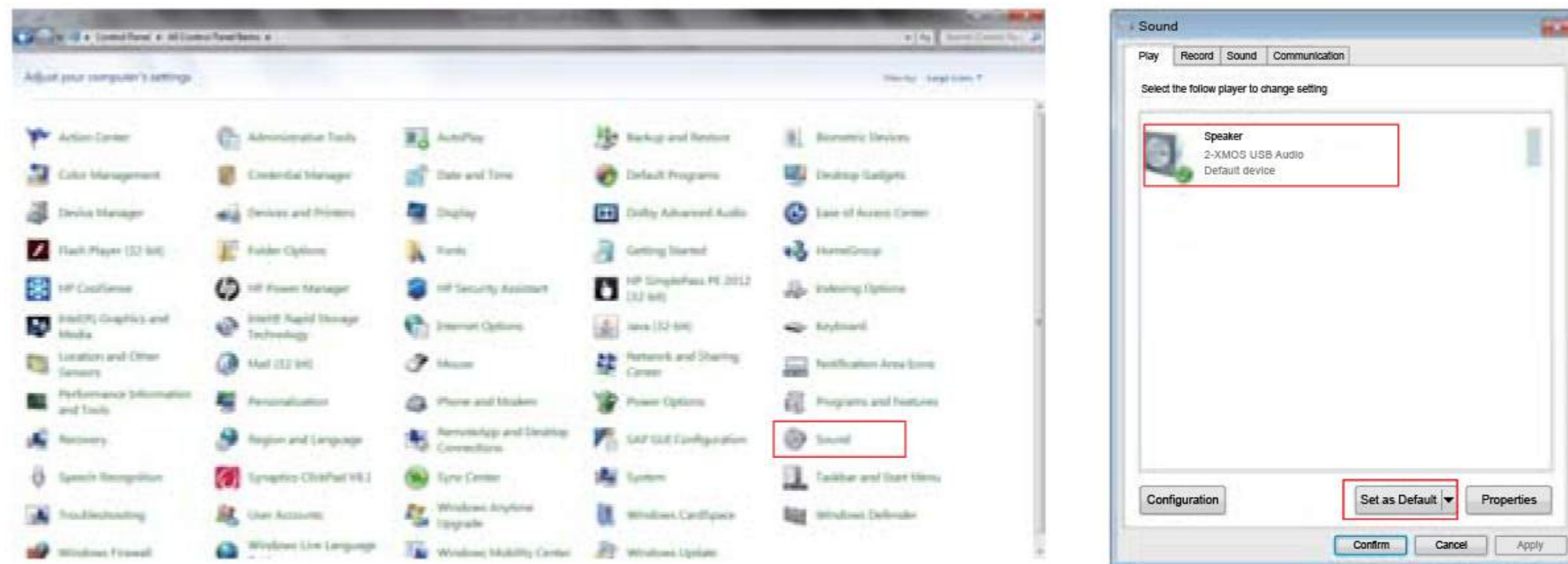
USA and Canada: service@edifier.ca

South America: Please visit www.edifier.com (English) or www.edifierla.com (Spanish/Portuguese) for local contact information.

Troubleshooting

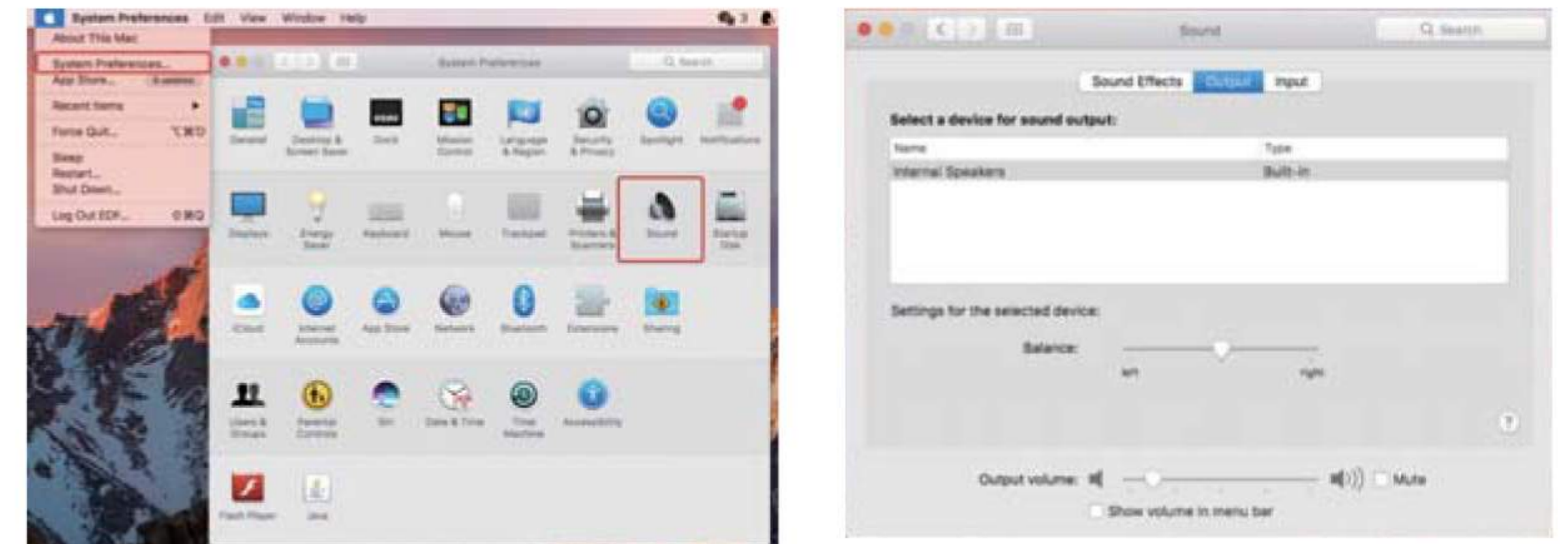
If speaker is connected to PC by a USB audio cable:

- If the PC is using Windows operating system, please confirm that the special USB driver for S3000 Pro has been installed; if not please download and install the driver.
- For Windows users, please open “Device Manager” to check if there is USB device listed as “EDIFIER S3000 Pro” or “XMOS USB Audio”; if not, you may need to install the special USB driver program of S3000 Pro or re-start PC. For Mac users, please open “System Preferences” → “Sound” Tab, to check if there is audio output device enumerated as “EDIFIER S3000 Pro”.
- Please confirm whether the speaker is set as the audio output device.
For Windows users, please open “Control Panel” → “Sound” → “Play” → “Set as Default” Tab to set “XMOS USB Audio” as the current audio output device.



Troubleshooting

For Mac users, please open “System Preferences” → “Sound” → “Output” Tab to select “EDIFIER S3000 Pro” as the current audio output device.



Consignes de securite importantes

1. Lisez toutes ces instructions avec attention. Conservez-les avec soin pour référence future.
2. N'utilisez que les pièces et accessoires certifiés par le fabricant.
3. Installez le produit correctement en suivant les instructions données dans la section concernant la connexion du dispositif.
4. Le produit est conçu pour une utilisation en environnement de température situé entre 0 et 35 °C.
5. Pour réduire le risque d'incendie ou d'électrocution, ne pas exposer le produit à la pluie ou à l'humidité.
6. Ne pas utiliser cet appareil à proximité de l'eau. Ne pas immerger le produit dans l'eau ni l'exposer à des éclaboussures ou à des égouttements.
7. Ne pas installer ni utiliser ce produit à proximité d'une source de chaleur (par ex. un radiateur, un chauffe-eau, un four ou tout autre appareil produisant de la chaleur).
8. Ne pas poser d'objet rempli d'eau, comme un vase sur le produit. Ne pas y déposer de source de flamme nue, comme une bougie.
9. Ne pas obstruer les ouvertures d'aération. Ne pas insérer d'objet dans une ouverture de l'appareil. Ceci pourrait entraîner des incendies ou des électrocutions.
10. Veillez à conserver un espace libre sur tout le pourtour de l'appareil pour garantir une aération correcte (un espace de 5 centimètres est recommandé).
11. Ne jamais forcer pour insérer une prise. Avant de brancher un câble, assurez-vous que le port sur l'appareil est libre de toute obstruction et que la prise corresponde bien au type de port.
12. Conservez les accessoires et les pièces (comme les vis) hors de portée des enfants, pour éviter qu'ils ne les avalent.
13. Ne jamais ouvrir ni retirer le boîtier de l'appareil. L'ouverture ou le retrait du boîtier peut vous exposer à des tensions dangereuses et d'autres dangers. Quelle que soit la cause du dommage (un câble ou une prise endommagée, la mise en contact avec de l'eau, la pluie ou de l'humidité, une chute ou une défaillance de source inconnue), toute réparation doit être effectuée aussitôt que possible, par le personnel agréé.
14. Avant de nettoyer le produit avec un tissu sec, toujours éteindre le produit et débrancher d'abord la fiche électrique.
15. Ne jamais utiliser d'acide puissant, de produits alcalis, d'essence, d'alcool ou un autre dissolvant chimique pour en nettoyer la surface. Utilisez uniquement un dissolvant neutre ou de l'eau claire pour le nettoyage.



L'écoute de musique à volume extrême de manière prolongée peut affecter l'audition de l'utilisateur. Veillez à régler le volume à un niveau adéquat.



Élimination correcte de ce produit. Ce symbole avise qu'en Europe, ce produit ne doit pas être éliminé avec les autres déchets ménagers. Recyclez-le de manière responsable pour promouvoir la réutilisation durable des ressources matérielles et éviter tout risque pour l'environnement ou la santé résultant d'une élimination non contrôlée des déchets. Pour retourner le produit usagé, utilisez les points de retour et de collecte ou contactez le vendeur du produit qui peut prendre en charge ce produit pour un recyclage respectueux de l'environnement.



N'utiliser qu'avec le panier, le support, le trépied, le crochet ou la table stipulés par le fabricant ou vendus avec l'appareil. Faire attention lors du déplacement d'un panier/appareil combiné afin d'éviter des blessures en cas de renversement si un panier est utilisé.

Consignes de securite importantes

Avertissement sur l'alimentation électrique:

1. Placez le produit à proximité de la prise électrique pour une utilisation facile.
2. Avant utilisation, assurez-vous que le voltage délivré par la prise murale soit bien compatible avec le produit. Vous pouvez consulter les informations de voltage sur l'étiquette présente sur le produit.
3. Pour des raisons de sécurité, débranchez l'appareil pendant les orages ou lors des périodes d'inutilisation prolongées.
4. L'alimentation peut chauffer en cours d'utilisation normale. Veillez à ce que le lieu d'utilisation soit correctement ventilé et surveillez le produit.
5. Étiquettes d'avertissement apposées sur le boîtier ou au-dessous du produit ou de l'adaptateur secteur.



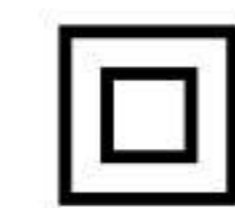
Ce symbole indique à l'utilisateur la présence de voltage dangereux non isolé à l'intérieur de l'appareil, qui pourrait être suffisant pour constituer un risque d'électrocution.



Ce symbole est présent pour indiquer que le produit ne doit pas être ouvert et qu'il ne contient aucun composant remplaçable par l'utilisateur. En cas de besoin de réparation, apportez le produit au centre de service agréé.



Ce symbole indique que le produit doit être utilisé uniquement en intérieur.



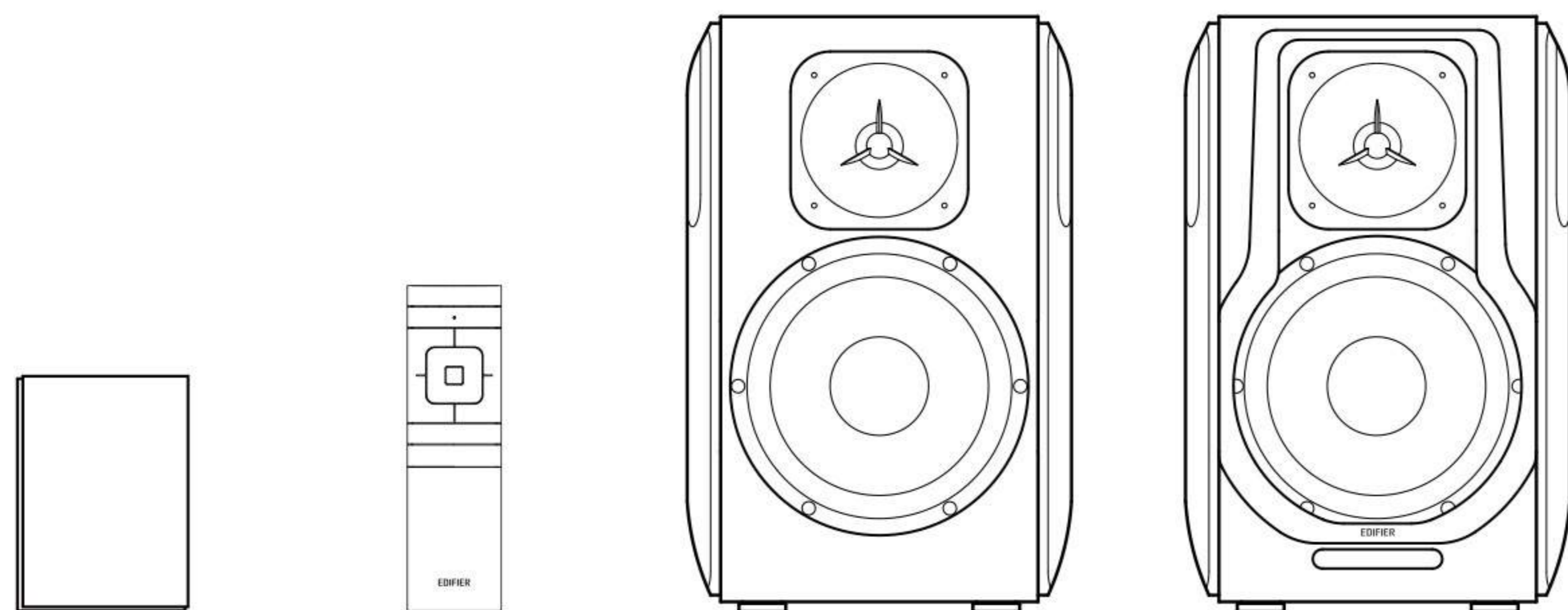
Ce symbole indique que le produit est de CLASSE II, autrement dit à double isolation électrique et qu'il ne nécessite donc pas de mise à la terre.

Lors de l'utilisation d'une prise au RESEAU ELECTRIQUE ou d'un coupleur comme dispositif de déconnexion ; ce dernier sera maintenu opérationnel.

Les produits sans fils:

1. Les produits sans fils peuvent émettre des fréquences radio susceptibles d'interférer avec le bon fonctionnement normal des appareils électroniques et des équipements médicaux.
2. Éteignez le produit lorsque cela est requis. Ne pas utiliser le produit dans des centres médicaux, à bord d'un avion, dans les stations-service, à proximité d'un portail automatique, d'une alarme incendie ou de tout autre appareil automatisé.
3. Ne pas approcher le produit à moins de 20 centimètres d'un stimulateur cardiaque. Les ondes radio peuvent interférer avec le fonctionnement normal du stimulateur ou d'autres équipements médicaux.

Contenu de la boîte

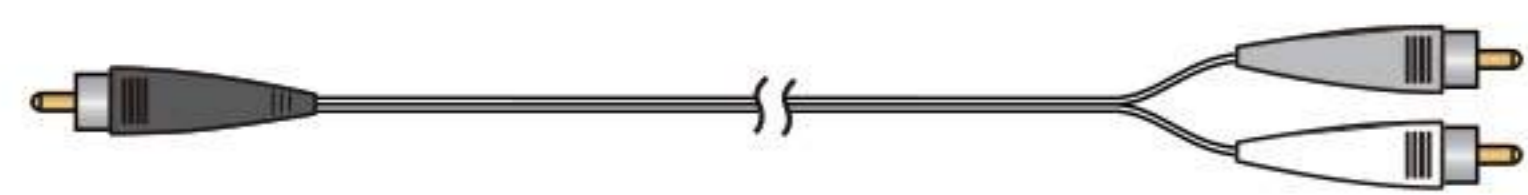


Manuel d'utilisateur

Télécommande

Haut-parleur passif (G)

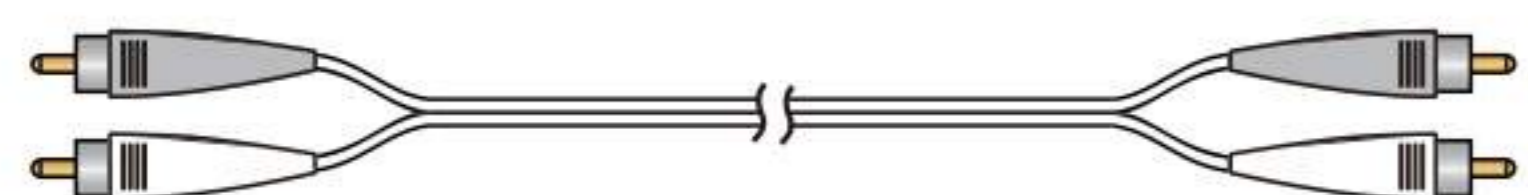
Haut-parleur actif (D)



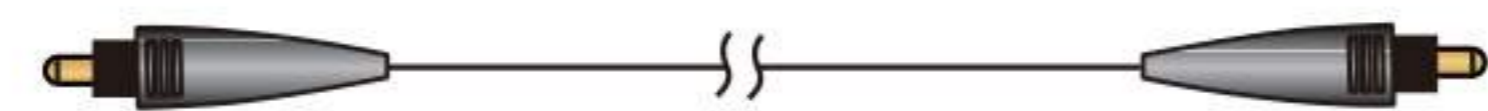
Câble audio RCA - 3,5 mm



Câble de données A vers B USB



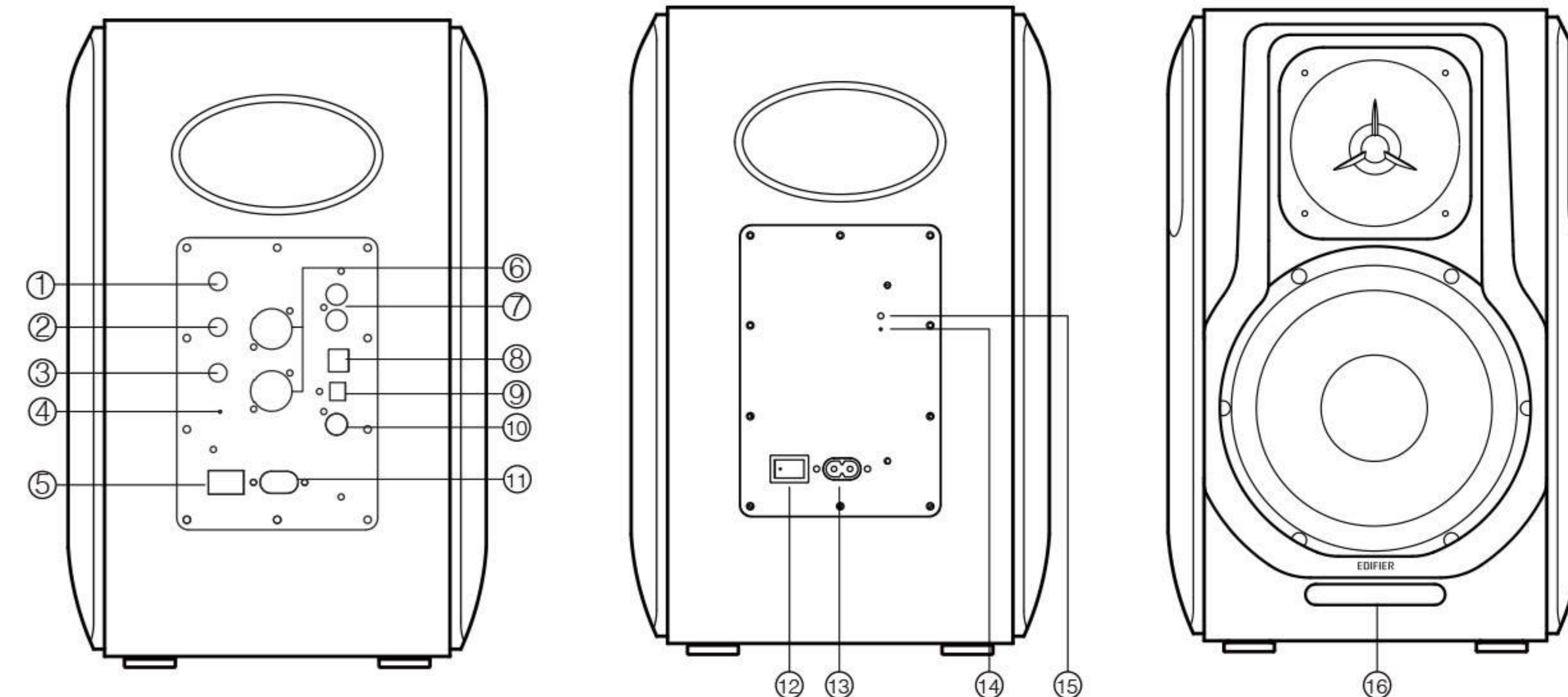
Câble audio RCA - RCA



Câble d'entrée en fibre optique



Câble d'alimentation x 2

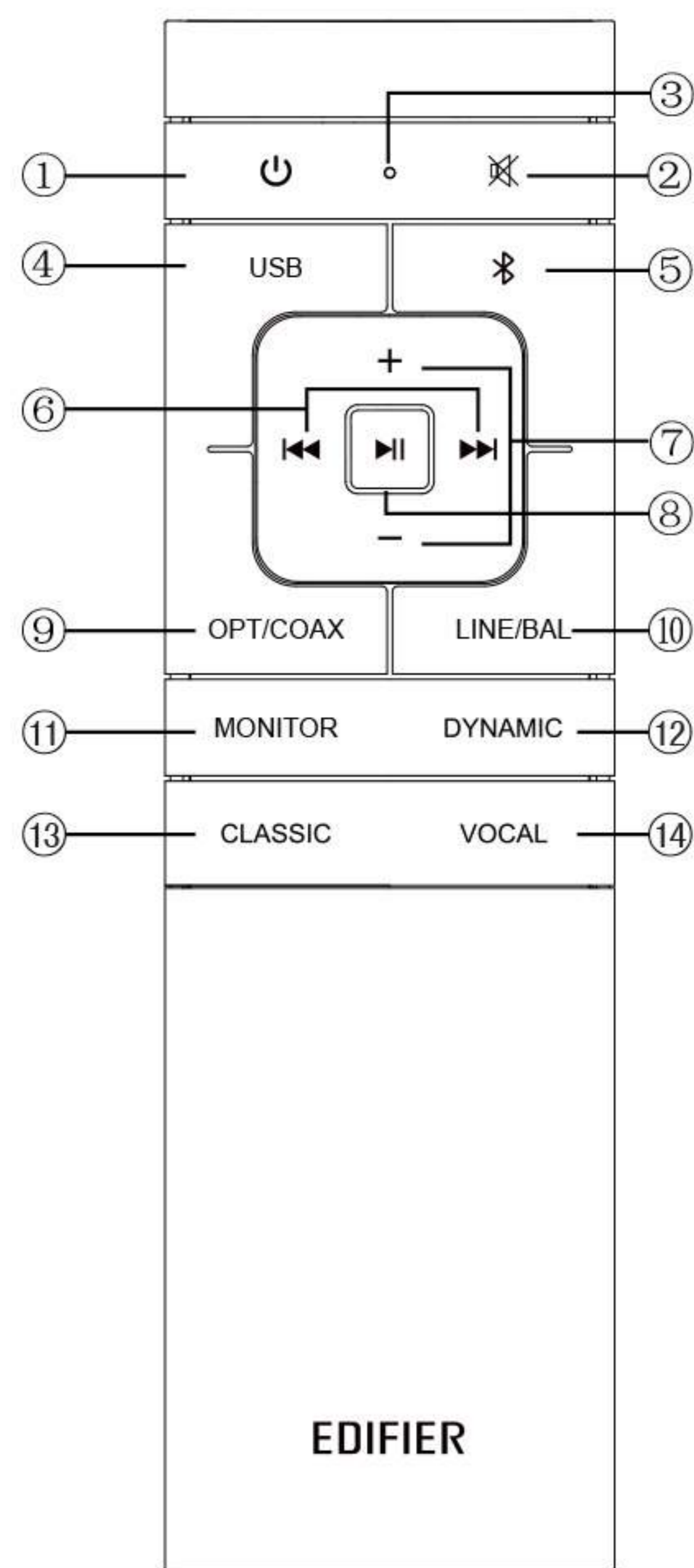


1. Bouton de volume/sélection d'entrée
(« Cliquer sur » pour permuter LINE→BAL→OPT→COAX→USB→ entrée)
2. Commande des aigus
3. Commande des basses
4. Bouton d'appairage du haut-parleur passif
5. Interrupteur marche/arrêt
6. Entrée équilibrée
7. Entrée ligne
8. Entrée audio numérique USB
9. Entrée optique
10. Entrée coaxiale
11. Connecteur du cordon d'alimentation
12. Interrupteur marche/arrêt

13. Connecteur du cordon d'alimentation
14. Bouton d'appairage de haut-parleur
15. Témoin d'état
16. Fenêtre de visualisation
 - a. Affiche la source audio actuelle:
LINE→BAL→OPT→COAX→USB→
 - b. Sélection du mode:
Mode Moniteur (MONITOR) activé:
le témoin lumineux clignote une fois
Mode Dynamique (DYNAMIC) activé:
le témoin lumineux clignote deux fois
Mode Classique (CLASSIC) activé:
le témoin lumineux clignote trois fois
Mode Voix (VOCAL) activé:
le témoin lumineux clignote quatre fois

Illustration de la télécommande

Dirigez la télécommande vers l'écran de réception à distance sur le haut-parleur, la distance optimum de la télécommande est de 7 mètres.



1. Alimentation ON/OFF
2. Sourdine
3. Voyant de la télécommande
4. Entrée USB
5. Entrée Bluetooth
6. Piste précédente/suivante (Sources audio Bluetooth/USB uniquement)
7. Augmentation/Réduction du volume
(maintenir enfoncé pour désactiver la connexion Bluetooth)
8. Lecture/pause (Sources audio Bluetooth/USB uniquement)
9. Entrée optique/coaxiale
10. Entrée ligne/équilibrée
11. Mode moniteur
12. Mode dynamique
13. Mode classique
14. Mode voix

Quatre modes:

Mode MONITOR: affiche une courbe de réponse audio plate, pour le son sans coloration.

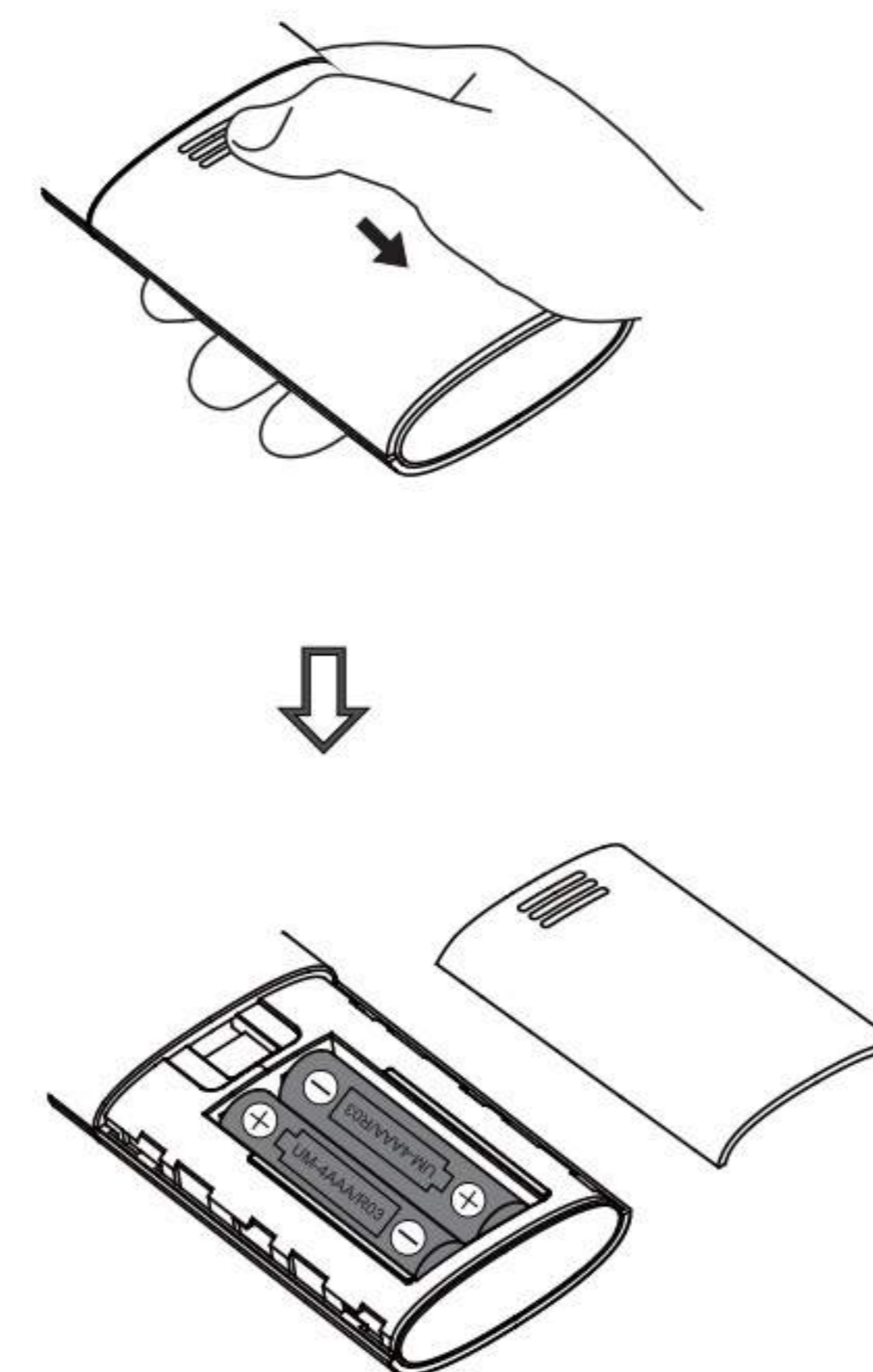
Mode DYNAMIC: plus de punch, plus dynamique.

Mode CLASSIC: reproduit un son classique Hi-Fi.

Mode VOCAL: met l'accent sur la voix humaine. La position du chanteur sera plus proche de la personne qui écoute.

Remarque: Après avoir été désactivé/activé ou en cas de changement de source audio, le haut-parleur reviendra au mode CLASSIC (CLASSIQUE) par défaut, veuillez régler les autres modes manuellement avec la télécommande.

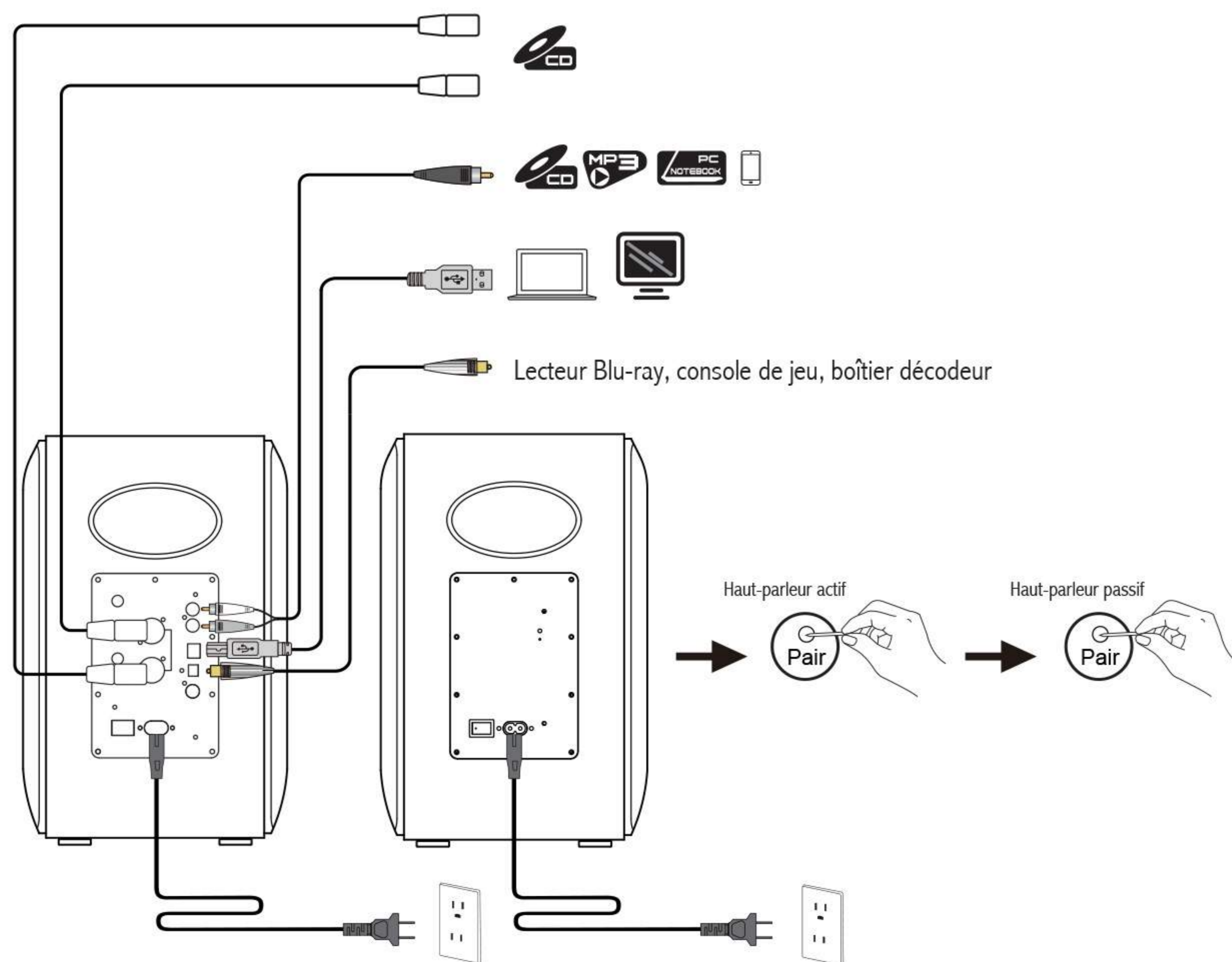
Illustration de la télécommande



1. Comme indiqué sur l'illustration, appuyez sur le couvercle du compartiment des piles de la télécommande vers le bas avec le pouce et suivez la direction de la flèche pour retirer le couvercle et utilisez deux piles AAA (faites attention aux pôles « + » et « - »).
2. La durée de vie de la pile est généralement d'environ 6 mois. Veuillez les remplacer lorsque la télécommande ne répond pas ou la distance de contrôle est raccourcie.
3. N'utilisez jamais de vieilles et nouvelles piles ensemble.

Remarque:

1. Ne pas placer la télécommande dans un lieu chaud et humide.
2. Ne pas recharger la pile.
3. Retirez les piles lorsque vous ne les utilisez pas pendant une longue période pour éviter la fuite des piles.
4. Ne pas exposer la pile à une température excessive, comme la lumière directe du Soleil, un feu ou similaire.
5. Risque d'explosion si la pile est remplacée de façon incorrecte. Ne remplacez une pile que par une pile du même type ou de type équivalent.



1. Comme illustré, branchez la source audio en utilisant le câble audio correspondant.
2. Connectez les haut-parleurs à la source d'alimentation à l'aide des câbles d'alimentation, et enclenchez le bouton d'alimentation. Les haut-parleurs doivent être prêts à fonctionner, le témoin lumineux sur le haut-parleur actif affichera la source audio actuelle.

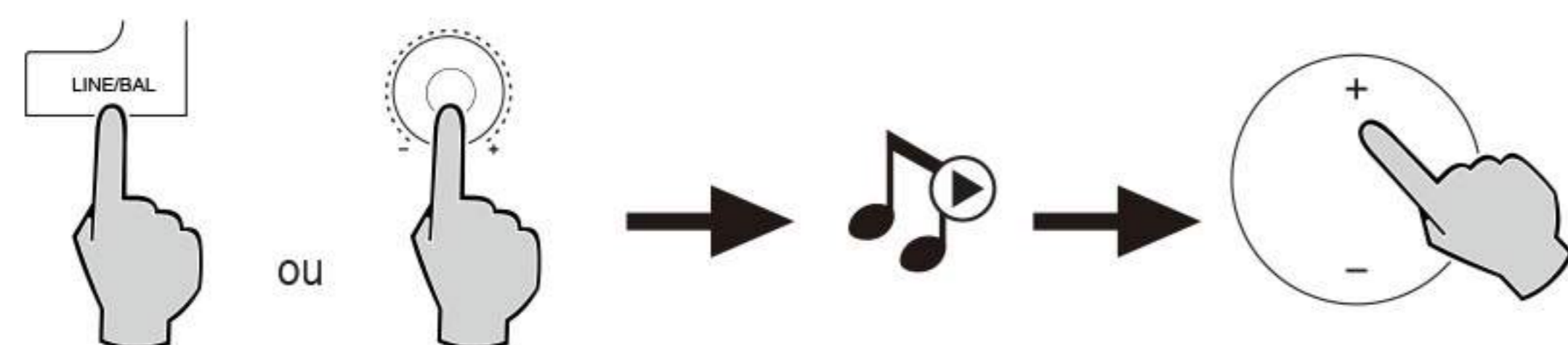
Le haut-parleur actif (D) et le haut-parleur passif (G) ont été appairés avant de quitter l'usine. La connexion sans fil reprendra automatiquement une fois les deux haut-parleurs allumés et l'indicateur rouge sur le haut-parleur passif allumé. Si la connexion sans fil ne reprend pas, suivez les étapes ci-dessous pour appairer à nouveau.

1. Allumez le haut-parleur actif, puis maintenez le bouton « Pair » (Appairage) sur le panneau arrière du haut-parleur actif (D) enfoncé, le témoin lumineux du mode actuel sur l'écran d'affichage clignotera rapidement;
2. Maintenez le bouton « Pair » (Appairage) sur le panneau arrière du haut-parleur passif (G) enfoncé, l'indicateur rouge sur le haut-parleur passif (G) clignotera rapidement.
3. Attendez que l'indicateur rouge sur le haut-parleur passif (G) s'allume constamment. Puis, l'association est terminée et la connexion sans fil est effectuée.

Remarque:

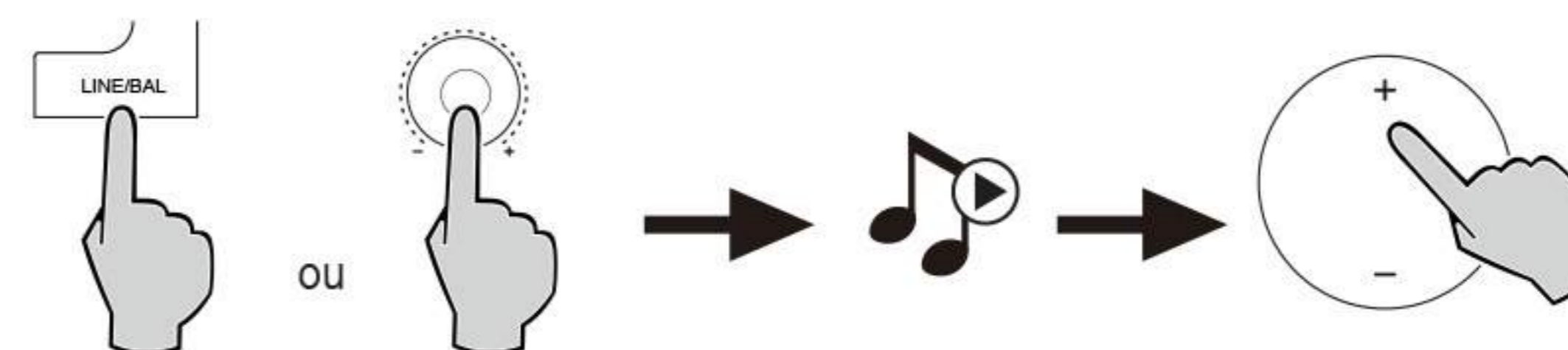
Si l'indicateur rouge sur le haut-parleur passif (G) est à une fréquence respiratoire, cela indique l'absence ou l'échec de connexion, veuillez répéter les étapes ci-dessus.

Entrée équilibrée



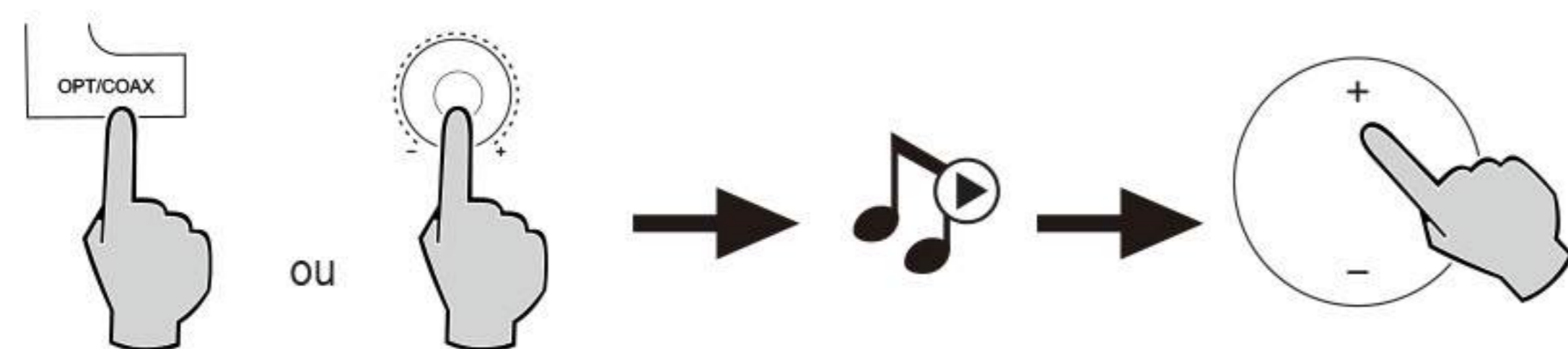
1. Connectez la source audio (lecteur CD, décodeur, etc.) au port d'entrée équilibrée sur le panneau arrière du haut-parleur actif à l'aide du câble audio équilibré XLR (câble XLR non inclus).
2. Appuyez sur le bouton « LINE/BAL » de la télécommande ou appuyez sur le bouton « Volume dial/Input selection » (Bouton de volume/sélection d'entrée) sur le panneau arrière du haut-parleur actif jusqu'à ce que le témoin lumineux sur le haut-parleur actif affiche « BAL ».
3. Lisez la musique sur l'appareil connecté et réglez le volume à votre convenance.

Entrée Ligne



1. Connectez la source audio (téléphone portable, tablette, etc.) au port d'entrée Line in (faites attention à la correspondance des couleurs) sur le panneau arrière du haut-parleur actif à l'aide du câble audio 3,5 mm-RCA ou du câble audio RCA-RCA.
2. Appuyez sur le bouton « LINE/BAL » de la télécommande ou appuyez sur le bouton « Volume dial/Input selection » (Bouton de volume/sélection d'entrée) sur le panneau arrière du haut-parleur actif jusqu'à ce que le témoin lumineux sur le haut-parleur actif affiche « LINE ».
3. Lisez la musique sur l'appareil connecté et réglez le volume à votre convenance.

Entrée Optique/Coaxiale

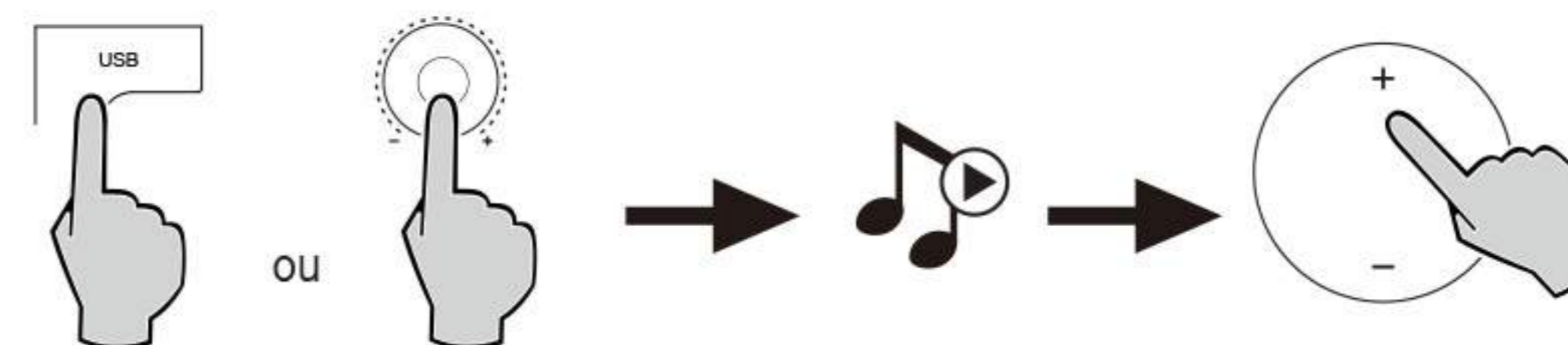


1. Connectez la source audio (lecteur Blu-ray, boîtier décodeur, etc.) au port d'entrée coaxiale ou optique sur le panneau arrière du haut-parleur actif à l'aide du câble audio à fibre optique ou du câble coaxial (câble coaxial non inclus).
2. Appuyez sur le bouton « OPT/COAX » de la télécommande ou appuyez sur le bouton « Volume dial/Input selection » (Bouton de volume/sélection d'entrée) sur le panneau arrière du haut-parleur actif jusqu'à ce que l'écran d'affichage sur le haut-parleur actif affiche « OPT » ou « COAX ».
3. Lisez la musique sur l'appareil connecté et réglez le volume à votre convenance.

Remarque:

Seules les fonctions de signaux audio PCM standards (44.1KHz/48KHz/96KHz/192KHz) sont disponibles en mode optique/coaxial.

Entrée audio numérique USB



La puce d'interface USB utilisée dans le système S3000 Pro est une puce XMOS utilisée par les équipements audio haut de gamme. Après connexion à un PC, l'interface USB extrait et lit directement le signal audio numérique comme s'il s'agissait d'une « carte son USB externe » pour éviter la dégradation et la compression de la plage dynamique causée par la conversion du numérique vers analogique d'une carte son PC, et pour garantir la retranscription correcte de la qualité du son d'origine.

1. Consultez les détails de la page 31 pour télécharger et installer le programme du pilote.
2. Connectez le port de type A USB d'un PC au port d'entrée de type B USB sur le panneau arrière du haut-parleur actif à l'aide du câble de données A vers B USB.
3. Appuyez sur le bouton « USB » de la télécommande ou appuyez sur le bouton « Volume dial/Input selection » (Bouton de volume/sélection d'entrée) sur le panneau arrière du haut-parleur actif jusqu'à ce que le témoin lumineux sur le haut-parleur actif affiche « USB ».
4. Lisez la musique sur l'appareil connecté et réglez le volume à votre convenance.

Entrée audio numérique USB

Remarque:

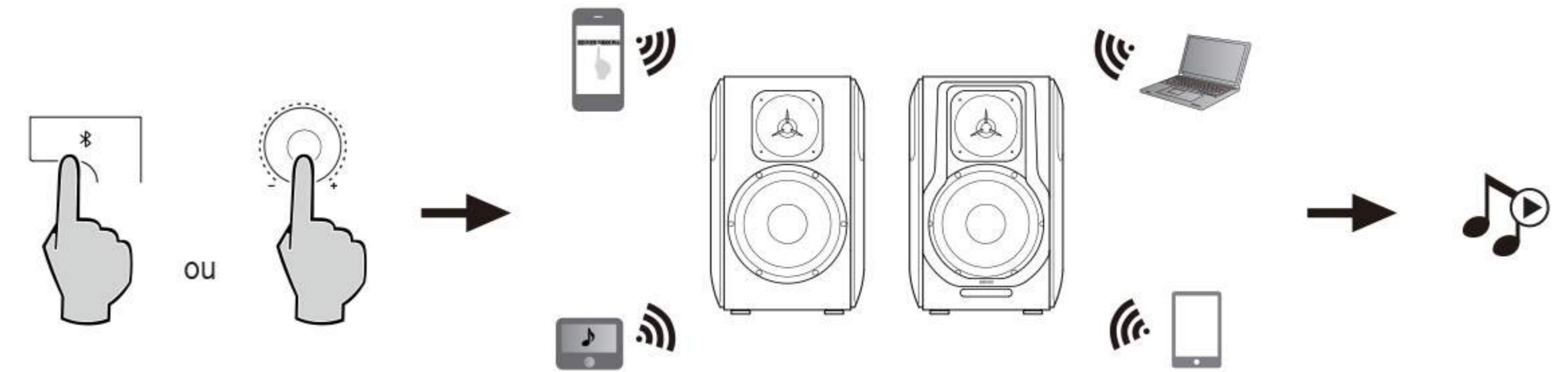
1. Le pilote USB par défaut des systèmes d'exploitation Windows 7/ Windows 10 ne prennent en charge que l'USB Audio Class 1, qui limite le flux audio à seulement deux canaux PCM, avec taux d'échantillonnage maximum de 96KHz. Pour prendre en charge le PCM avec taux d'échantillonnage plus élevé, l'interface du S3000 Pro est conçue sur la base USB Audio Class 2. Des pilotes spécifiques sont donc requis pour l'utilisation avec Windows 7/ Windows 10. Consultez <https://www.edifier.com/cn/zh/speakers/S3000 Pro> pour en savoir plus.
2. Notez bien que le système d'exploitation Windows XP n'est plus pris en charge par Microsoft, et les pilotes pour le fonctionnement avec Windows XP ne sont pas disponibles. Des alertes de risque peuvent apparaître pendant l'installation, installez selon vos besoins.
3. Le pilote USB pour Mac OS prend en charge l'USB Audio Class 1 et l'USB audio Class 2 par défaut, ce qui veut dire qu'aucun pilote spécifique n'est nécessaire pour utiliser le S3000 Pro avec un ordinateur Mac.
4. Pour en savoir plus sur le pilote logiciel, rendez-vous sur le lien ci-dessous pour obtenir des détails: <https://www.xmos.com/support/usb-audio-driver-support>
5. Si vous avez besoin d'un câble de données A vers B USB, vous pouvez le trouver sur différentes plateformes de commerce en ligne.
6. En mode USB, le flux PCM avec différents taux d'échantillonnage est pris en charge, incluant 44,1KHz/48KHz/96KHz/192KHz.


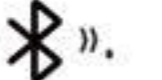
Remarque:

La commande de lecture sous l'entrée USB appartient à la commande HID USB, cette commande doit prendre en charge le logiciel de lecture, par conséquent, il peut exister des différences de comptabilité au niveau des divers logiciels de lecteur audio.


Entrée Bluetooth

Bluetooth®



1. Appuyez sur le bouton «  » de la télécommande ou appuyez sur le bouton « Volume dial/Input selection » (Bouton de volume/sélection d'entrée) sur le panneau arrière du haut-parleur actif jusqu'à ce que le témoin lumineux sur le haut-parleur actif affiche «  ».
2. Activez le Bluetooth sur votre dispositif source (téléphone mobile, tablette etc.) pour rechercher et sélectionner « EDIFIER S3000 Pro ».

Remarque:

- * La fonction Bluetooth sur le S3000 Pro peut seulement être recherchée et connectée en mode Bluetooth. La connexion Bluetooth actuelle sera déconnectée lorsque l'enceinte bascule sur une entrée audio différente. Lorsque vous rebaseculez en mode Bluetooth, le haut parleur tente de se reconnecter au dernier dispositif Bluetooth connecté.
- * Le code PIN pour la connexion est « 0000 » si demandé.
- * Pour déconnecter le Bluetooth, appuyez et maintenez le bouton «  » sur la télécommande environ 2 secondes.
- * Pour profiter pleinement des fonctions Bluetooth de ce produit, vérifiez que votre dispositif mobile prenne en charge le protocole A2DP et AVRCP.
- * La connectivité et la compatibilité Bluetooth peuvent différer entre les dispositifs source, selon la version du logiciel du dispositif en question.
- * Le décodeur intégré Qualcomm® aptX™ dans le produit permet d'obtenir une meilleure qualité sonore de transmission sans fil, donc utilisez un périphérique qui prend en charge Qualcomm® aptX™ comme source audio.

Caractéristiques techniques

Puissance de sortie:	D/G (Aigus): 8W+8W D/G (Moyens et basses): 120W+120W
Réponse en fréquence:	38Hz~40KHz
Source audio:	Entrée ligne/USB/Optique/Coaxial/Bluetooth/Entrée équilibrée
Bande de fréquence:	2,402GHz ~ 2,480GHz
Puissance de sortie RF:	≤ 20 dBm (EIRP)

Il n'y a aucune restriction d'utilisation.



Le nom de marque Bluetooth® et ses logos sont des marques déposées de Bluetooth SIG, Inc. et toute utilisation de telles marques effectuée par EDIFIER est faite sous licence. Les autres marques déposées et noms de marque sont la propriété de leurs propriétaires respectifs.

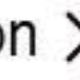


Qualcomm® aptX™ HD

Qualcomm est une marque déposée de Qualcomm Incorporated, déposée aux États-Unis et d'autres pays.
aptX est une marque déposée de Qualcomm Technologies International, Ltd., enregistrée en les États-Unis et d'autres pays.

Qualcomm aptX est un produit de Qualcomm Technologies, Inc. et / ou ses filiales.

Dépannage

Problème	Solution
Pas de son	• Vérifiez si le témoin est allumé.
	• Essayez de monter le volume en utilisant le réglage de volume principal ou la télécommande.
	• Vérifiez que les câbles audio sont bien connectés et que l'entrée est correctement réglée sur les haut-parleurs.
	• Vérifiez s'il y a une sortie de signal provenant de la source audio.
Connexion par Bluetooth impossible	• Vérifiez que le haut-parleur est réglé sur l'entrée Bluetooth. S'il est dans un autre mode d'entrée audio, le Bluetooth ne se connectera pas. Déconnectez tout appareil Bluetooth en maintenant enfoncé le bouton  en mode Bluetooth, puis réessayez.
	• La distance de transmission effective Bluetooth est de 10 mètres, veillez à ce que l'appareil est à portée.
	• Essayez de connecter un autre appareil Bluetooth.
Impossible de démarrer le S3000 Pro	• Vérifiez si l'alimentation principale est connectée ou si la prise secteur est active.

Pour en savoir plus sur EDIFIER, visitez www.edifier.com

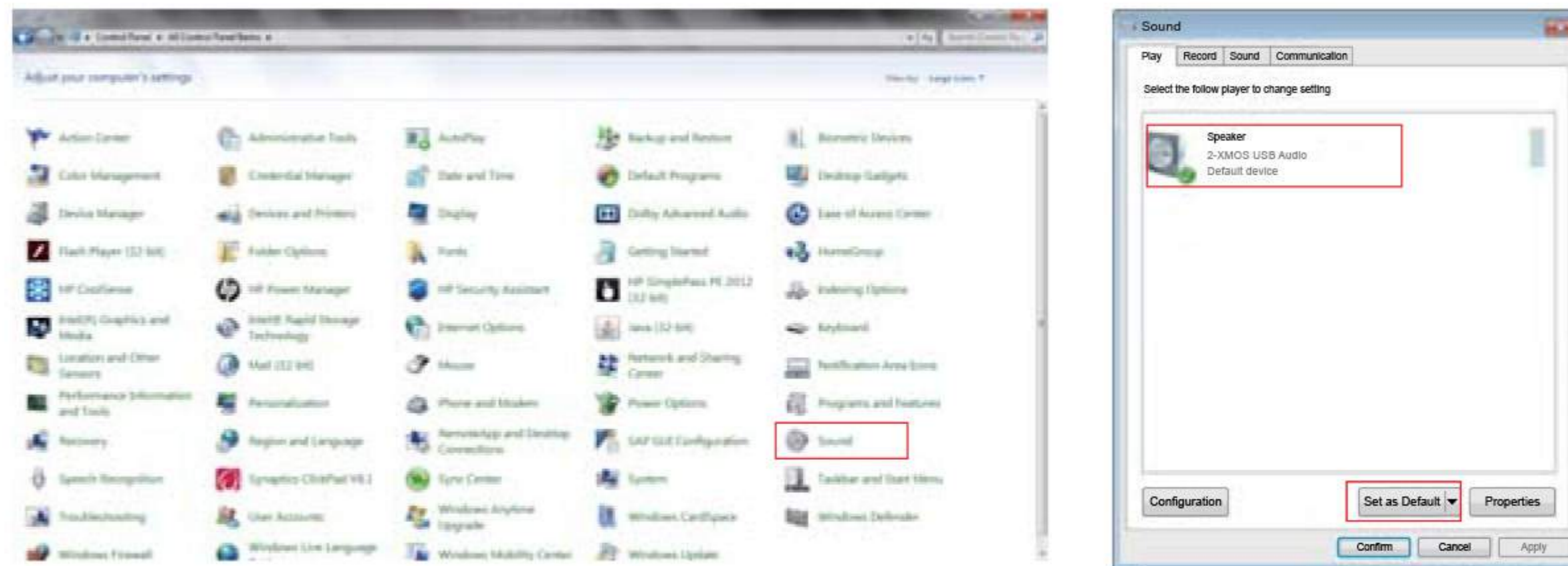
Pour des demandes relatives à la garantie d'Edifier, visitez la page pour votre pays sur www.edifier.com et lisez la section intitulée Modalités de garantie.

États-Unis et Canada : service@edifier.ca

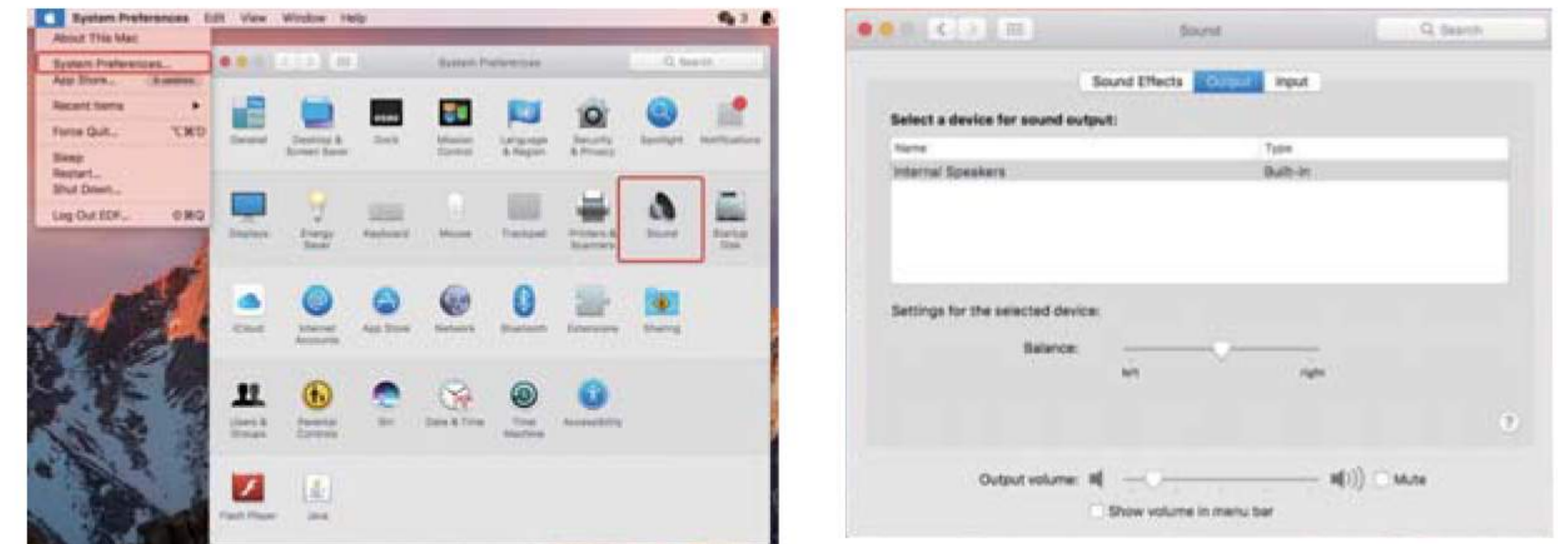
Amérique du Sud: Visitez www.edifier.com (anglais) ou www.edifierla.com (espagnol/portugais) pour les coordonnées locales.

Si le haut-parleur est connecté à un PC à l'aide d'un câble audio USB:

- Si le PC utilise un système d'exploitation Windows, veuillez confirmer que le pilote USB adapté au S3000 Pro a bien été installé ; sinon, téléchargez et installez le pilote.
- Si vous êtes un utilisateur Windows, ouvrez « Gestionnaire de périphériques » pour vérifier la présence du périphérique USB « EDIFIER S3000 Pro » ou « XMOS USB Audio » ; sinon, vous devez installer le programme de pilote USB adapté au S3000 Pro ou redémarrer le PC. Si vous êtes un utilisateur Mac, ouvrez « Préférences système » → onglet « Son » pour vérifier la présence du périphérique de lecture « EDIFIER S3000 Pro ».
- s'assurer que le haut-parleur est réglé sur le périphérique de sortie audio.
Si vous êtes un utilisateur Windows, ouvrez « Panneau de contrôle » → « Son » → « Lecture » → onglet « Définir comme défaut » pour définir « XMOS USB Audio » comme périphérique de lecture actuel.



Si vous êtes un utilisateur Mac, ouvrez « Préférences système » → « Son » → onglet « Sortie » pour sélectionner « EDIFIER S3000 Pro » comme périphérique de lecture actuel.



Importantes instrucciones sobre seguridad

1. Lea atentamente las instrucciones. Consérvelas en un lugar seguro como referencia en el futuro.
2. Utilice únicamente accesorios aprobados por el fabricante.
3. Instale correctamente el instrumento siguiendo las instrucciones en la sección de conexión del dispositivo.
4. Se recomienda usar el producto en un entorno de 0-35°C.
5. Para reducir el riesgo de incendio o electrocución, no exponer el producto a la lluvia ni la humedad.
6. No use este producto cerca del agua. No sumerja el producto en ningún líquido ni lo exponga a goteo ni salpicaduras.
7. No instale ni use este producto cerca de fuentes de calor (como radiadores, estufas, fogones u otros dispositivos que generen calor).
8. No ponga objetos llenos de líquido, como jarrones, sobre el producto, ni coloque llama abierta, como velas encendidas, sobre el producto.
9. No obstruya los orificios de ventilación. No introduzca ningún objeto en las ranuras u orificios de ventilación.
10. Puede causar incendio o electrocución. Mantenga un espacio suficiente alrededor del producto para proporcionar una buena ventilación (se recomienda un mínimo de 5 cm).
11. No fuerce el conector en la toma. Antes de conectar, compruebe si existen obstrucciones en la toma y si el conector coincide con ella y está orientada correctamente.
12. Mantenga los accesorios y piezas (como los tornillos) alejados de los niños para evitar que los traguen accidentalmente.
13. No abra ni retire la carcasa usted mismo. Podría exponerse a tensión peligrosa u otros riesgos. Indistintamente de la causa de los daños (como un cable o conector dañado, exposición a salpicaduras, entrada de objetos extraños, exposición a la lluvia o la humedad, producto inoperativo o caída, etc.), la reparación debe ser realizada por un profesional de servicio autorizado de inmediato.
14. Antes de limpiar el producto con una gamuza seca, apáguelo y desconecte el enchufe.
15. No use nunca ácidos fuertes, alcaloides, gasolina, alcohol ni otros disolventes químicos para limpiar la superficie del producto. Utilice solamente un solvente neutro o agua limpia para limpiar.



La música excesivamente alta puede provocar pérdida de audición. Mantenga el volumen en una gama segura.



Elimine este producto adecuadamente. No deseche el producto con residuos domésticos. Para evitar que la eliminación incontrolada de residuos contamine el entorno natural o dañe la salud humana, es necesario un reciclaje adecuado de este producto. Para garantizar el reciclaje de los recursos, deseche el producto en sus instalaciones de reciclaje locales o centros de recogida designados, o contacte con su vendedor local para obtener información.



Utilice sólo con el carrito, el estante, el trípode, el soporte o con la mesa especificados por el fabricante, o vendidos con el aparato. Cuando se utiliza un carrito, tenga precaución al mover la combinación carrito/aparato para evitar daños por vuelco.

Importantes instrucciones sobre seguridad

Advertencia de alimentación:

1. Coloque el producto cerca de la toma de corriente de manera que se pueda manejar fácilmente.
2. Antes del uso, asegúrese de que la tensión operativa sea idéntica a su alimentación local. Puede encontrar la tensión operativa correcta en la placa del producto.
3. Por motivos de seguridad, desconecte el producto durante tormentas o cuando no lo vaya a usar durante un tiempo prolongado.
4. En condiciones normales la alimentación puede calentarse. Mantenga una buena ventilación en la zona y tenga cuidado.
5. Etiquetas de advertencias de seguridad en el chasis o la parte inferior del producto o adaptador de alimentación.



Este símbolo advierte al usuario de la presencia de tensión peligrosa no aislada en el interior de la carcasa del producto que puede tener la magnitud suficiente para constituir un riesgo de electrocución a personas.



Este símbolo advierte al usuario que no desmonte la carcasa del producto, y que no existen piezas sustituibles por el usuario en su interior. Lleve el producto a un centro de servicio autorizado para su reparación.



Este símbolo indica que el producto solamente ha sido diseñado para uso en interiores.



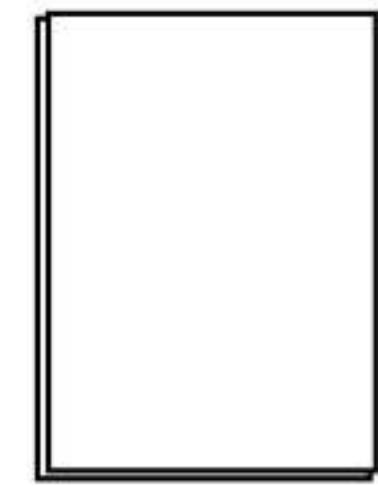
Este símbolo indica que el producto es un dispositivo eléctrico de CLASE II o doble aislamiento sin necesidad de conexión a tierra.

El enchufe de la RED o el adaptador del aparato se utiliza como dispositivo de desconexión, el dispositivo de desconexión quedará fácilmente operativo.

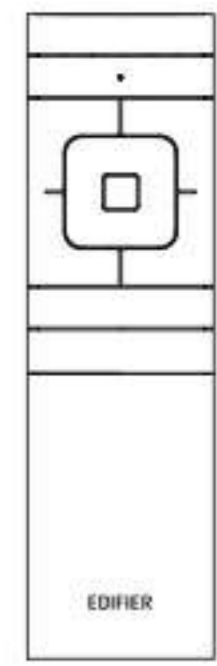
Producto inalámbrico:

1. Un producto inalámbrico puede generar frecuencias de radio de onda corta e interferir con el uso normal de otros dispositivos electrónicos o equipamiento médico.
2. Apague el producto si está prohibido. No use el producto en instalaciones médicas, aviones, gasolineras, cerca de puertas automáticas, sistemas de alarma contra incendios automáticos u otros dispositivos automatizados.
3. No use el producto cerca de marcapasos, a menos de 20 cm. Las ondas de radio pueden afectar al funcionamiento normal del marcapasos u otros dispositivos médicos.

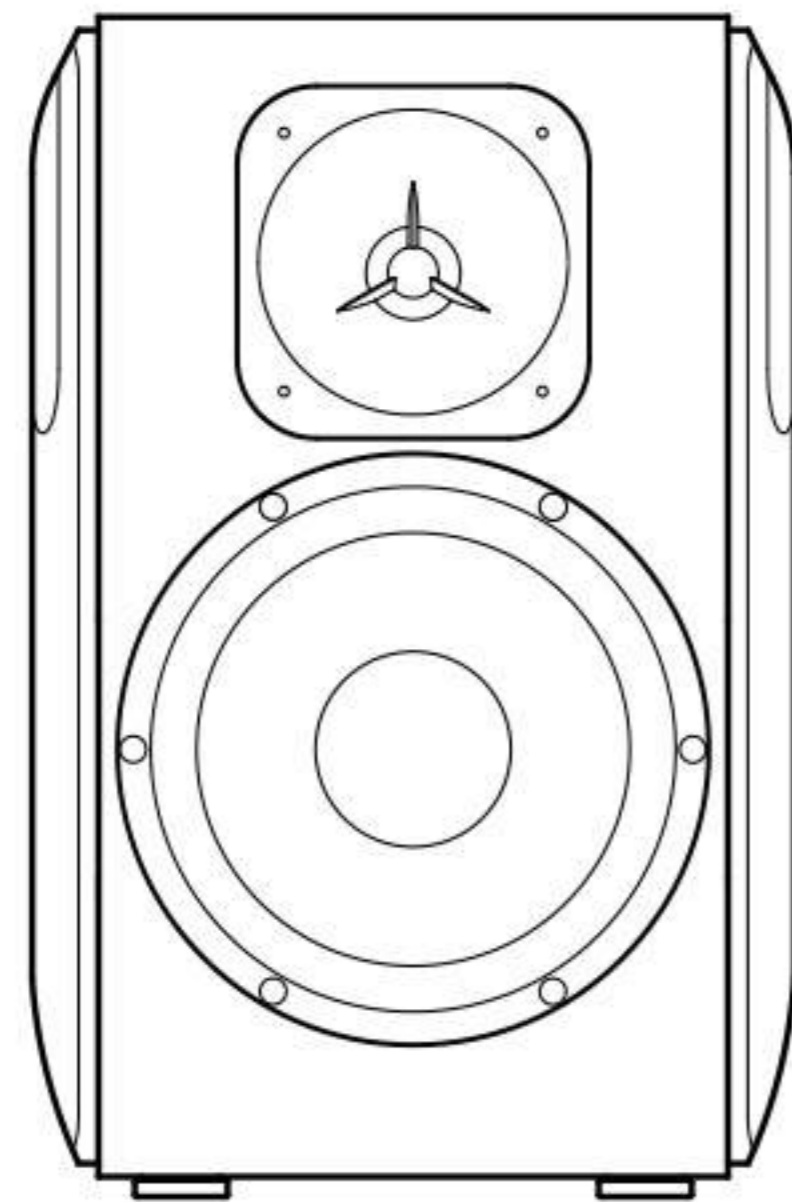
Contenido de la caja



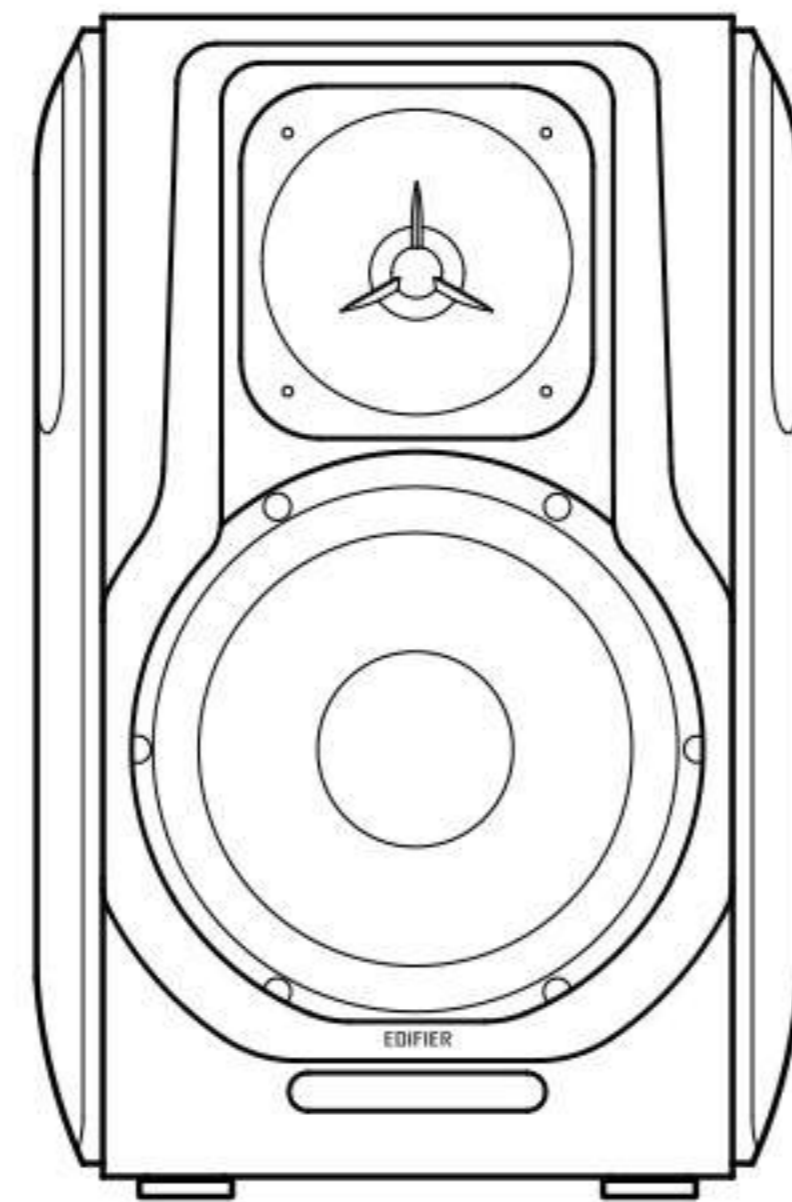
Manual de usuario



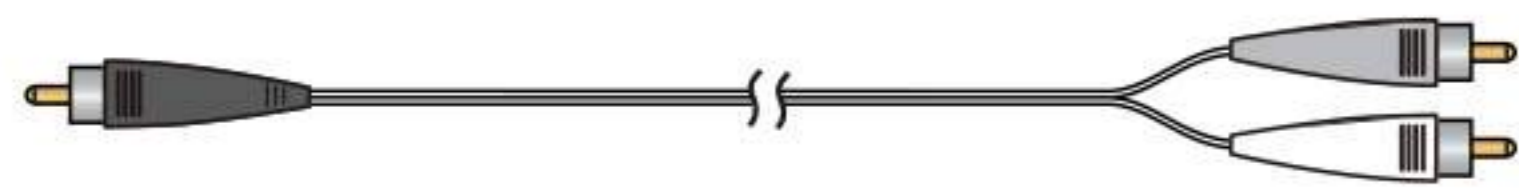
Mando a distancia



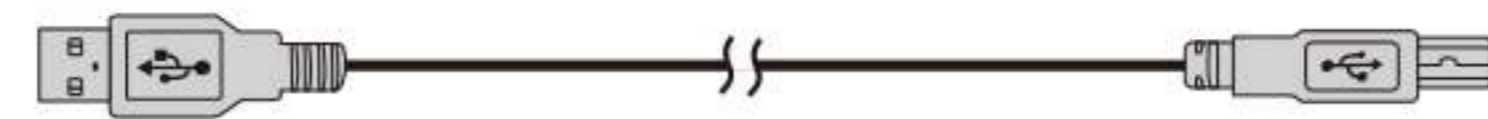
Altavoz pasivo (L)



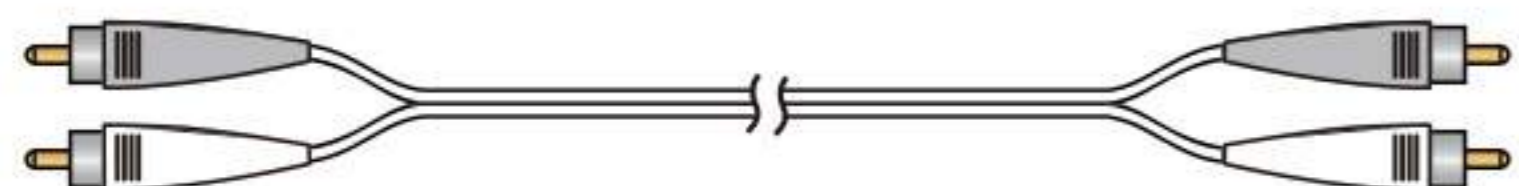
Altavoz activo (R)



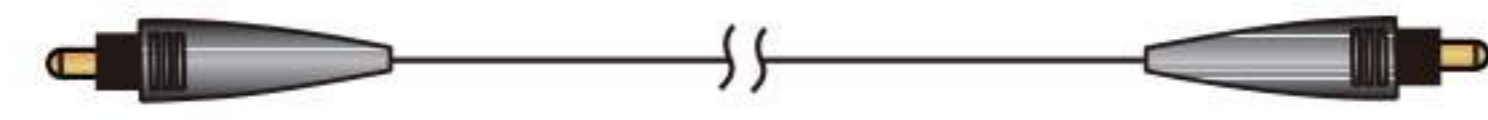
Cable de audio 3,5 mm-RCA



Cable de datos USB tipo A-B



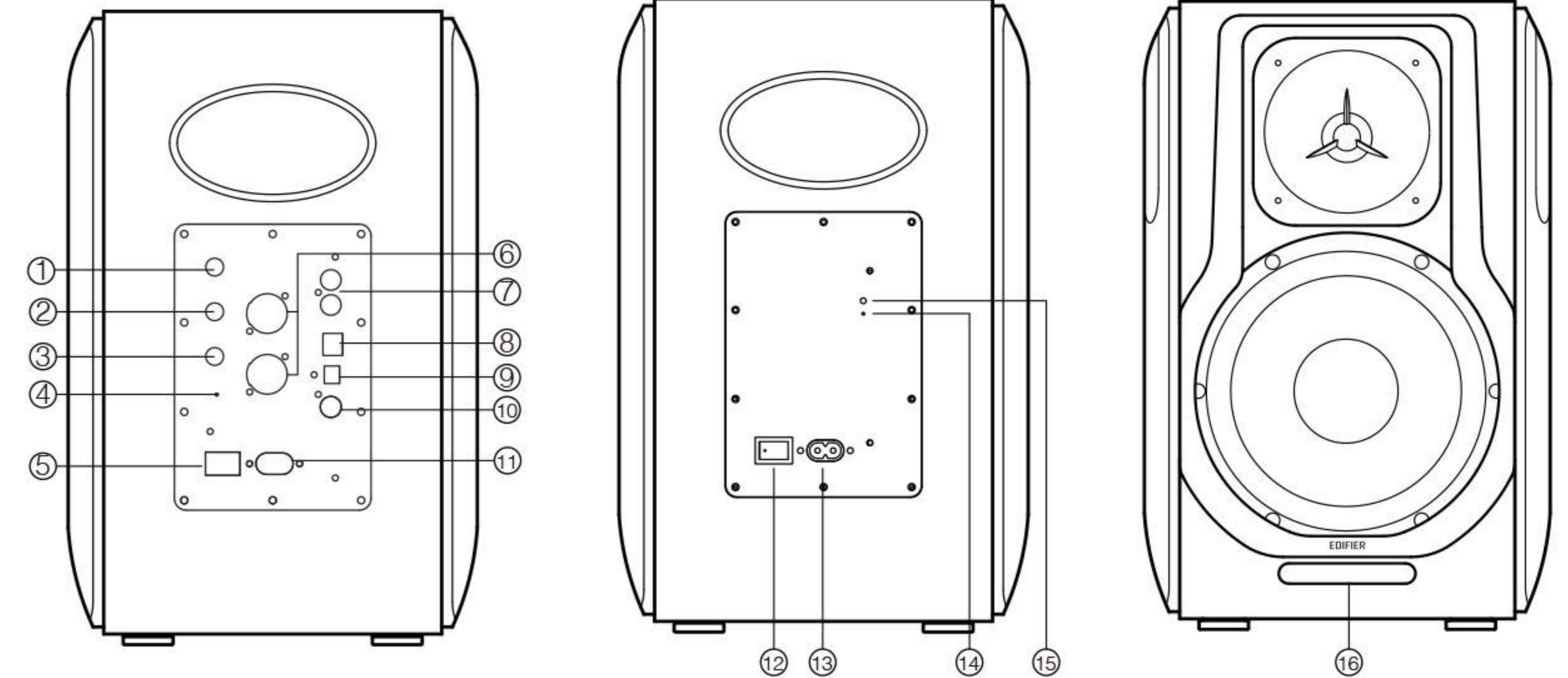
Cable de audio RCA a RCA



Cable de audio de fibra óptica



Cable de alimentación x 2

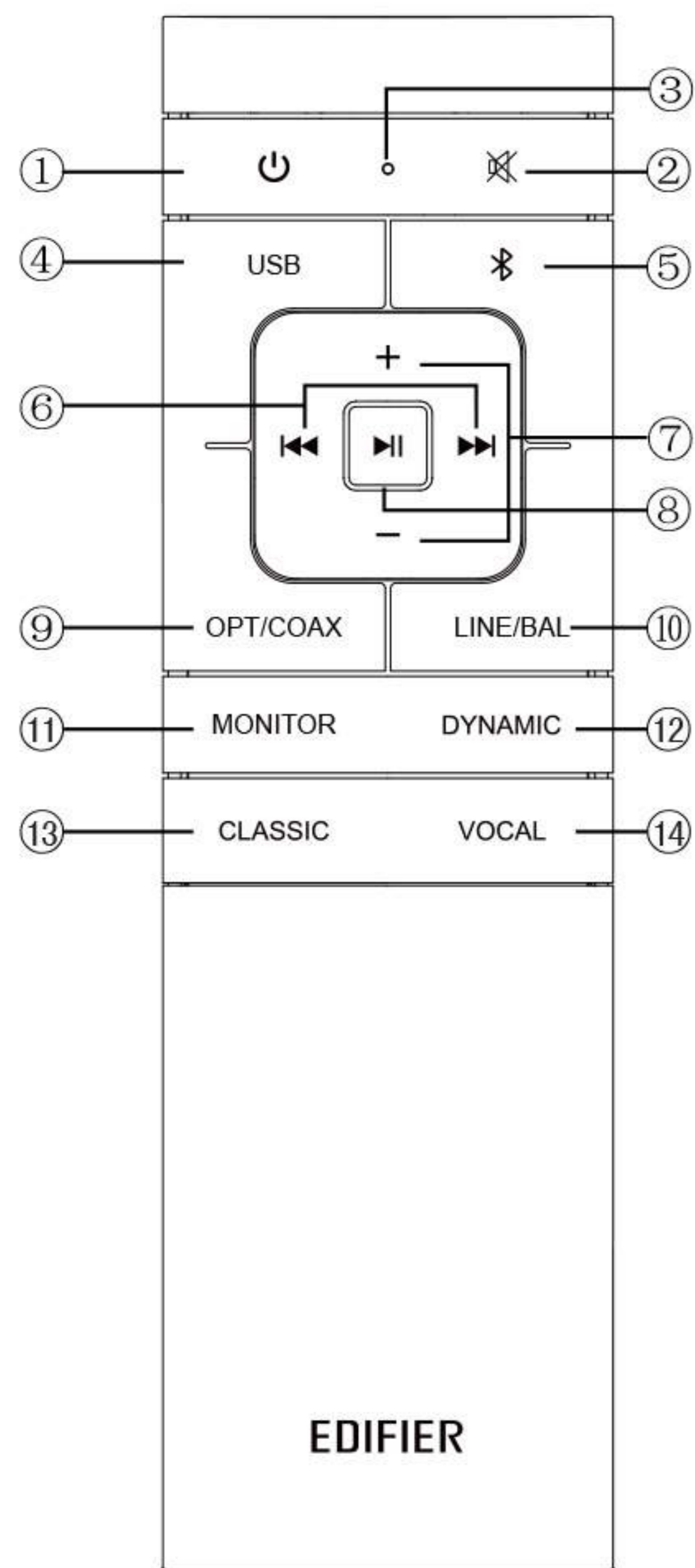


1. Selector de volumen/selección de entrada («Haga clic» para cambiar entre las entradas LINE→BAL→OPT→COAX→USB→ \star)
2. Control de agudos
3. Control de bajos
4. Botón de conexión del altavoz pasivo
5. Interruptor de encendido
6. Entrada balanceada
7. Entrada de línea
8. Entrada de audio digital USB
9. Entrada óptica
10. Entrada coaxial
11. Conector del cable de alimentación
12. Interruptor de encendido

13. Conector del cable de alimentación
14. Botón de conexión del altavoz
15. Indicador de estado
16. Ventana
 - a. Muestra la fuente de audio actual:
LINE→BAL→OPT→COAX→USB→ \star
 - b. Selección de modo:
(MONITOR) el modo controlador está encendido:
la luz LED parpadea una vez
(DYNAMIC) el modo dinámico está encendido:
la luz LED parpadea dos veces
(CLASSIC) el modo clásico está encendido:
la luz LED parpadea tres veces
(VOCAL) el modo vocal está encendido:
la luz LED parpadea cuatro veces

Ilustración del mando a distancia

Apunte el mando a distancia al receptor del altavoz, la distancia operativa óptima es de 7 metros o menos.



1. Interruptor de encendido/apagado
2. Silenciar
3. Indicador de mando a distancia
4. Entrada USB
5. Entrada Bluetooth
6. Pista anterior/siguiente (Solo fuentes de audio Bluetooth/USB)
7. Aumento/disminución del volumen
8. Reproducir/detener (Solo fuentes de audio Bluetooth/USB)
9. Entrada óptica/coaxial
10. Entrada de línea/balanceada
11. Modo controlador
12. Modo dinámico
13. Modo clásico
14. Modo vocal

Cuatro modos:

Modo MONITOR: presenta una curva de respuesta de audio plana, para sonido sin coloración.

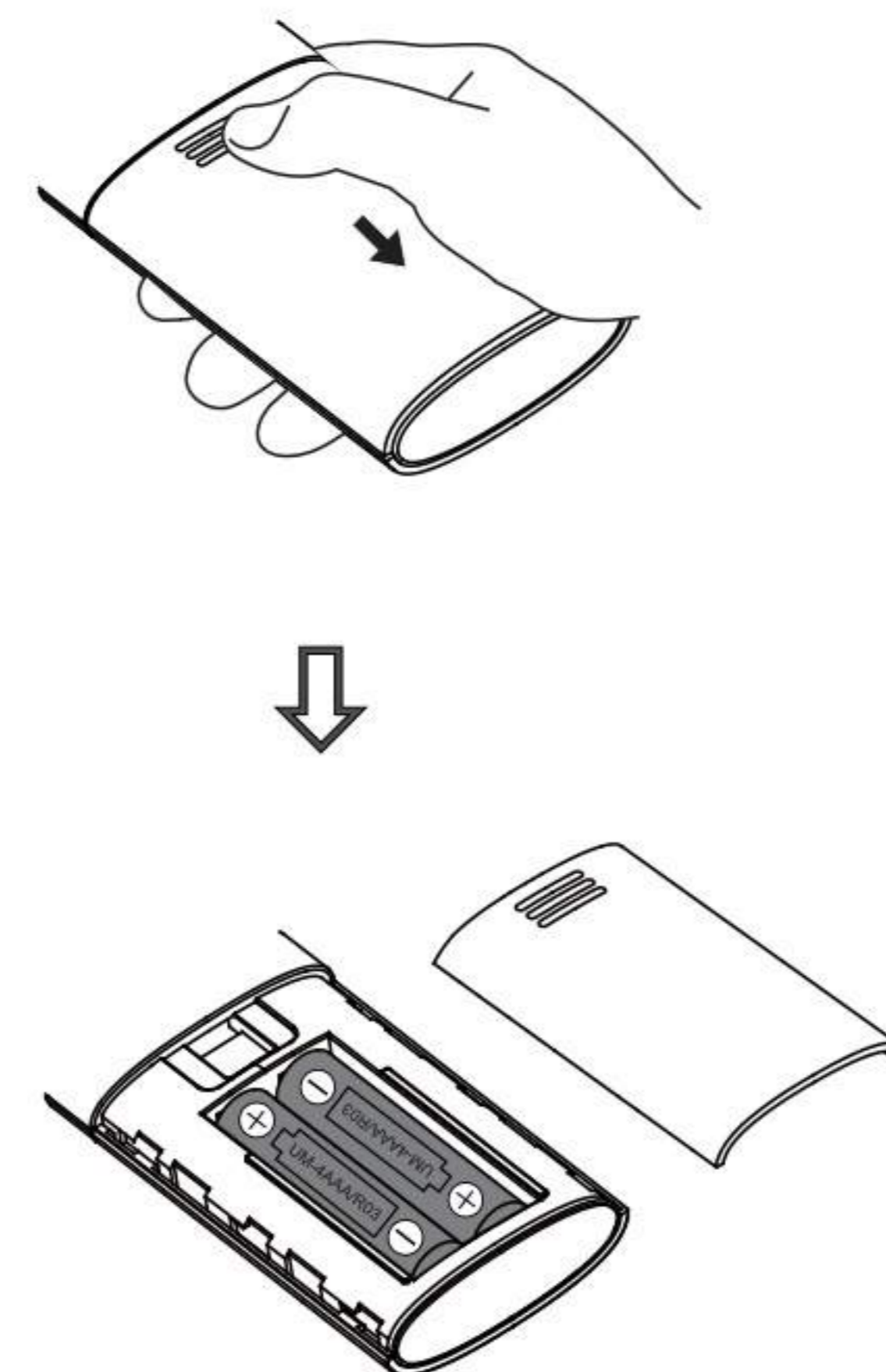
Modo DYNAMIC: más potente, más dinámico.

Modo CLASSIC: reproduce un sonido HI-FI clásico.

Modo VOCAL: destaca la voz humana, el oyente percibe la voz del cantante de forma más clara.

Nota: Una vez que se haya encendido o apagado o cuando se cambie la fuente de audio, el altavoz volverá al modo CLASSIC (CLÁSICO) de forma predeterminada, seleccione manualmente otro modo con el mando a distancia.

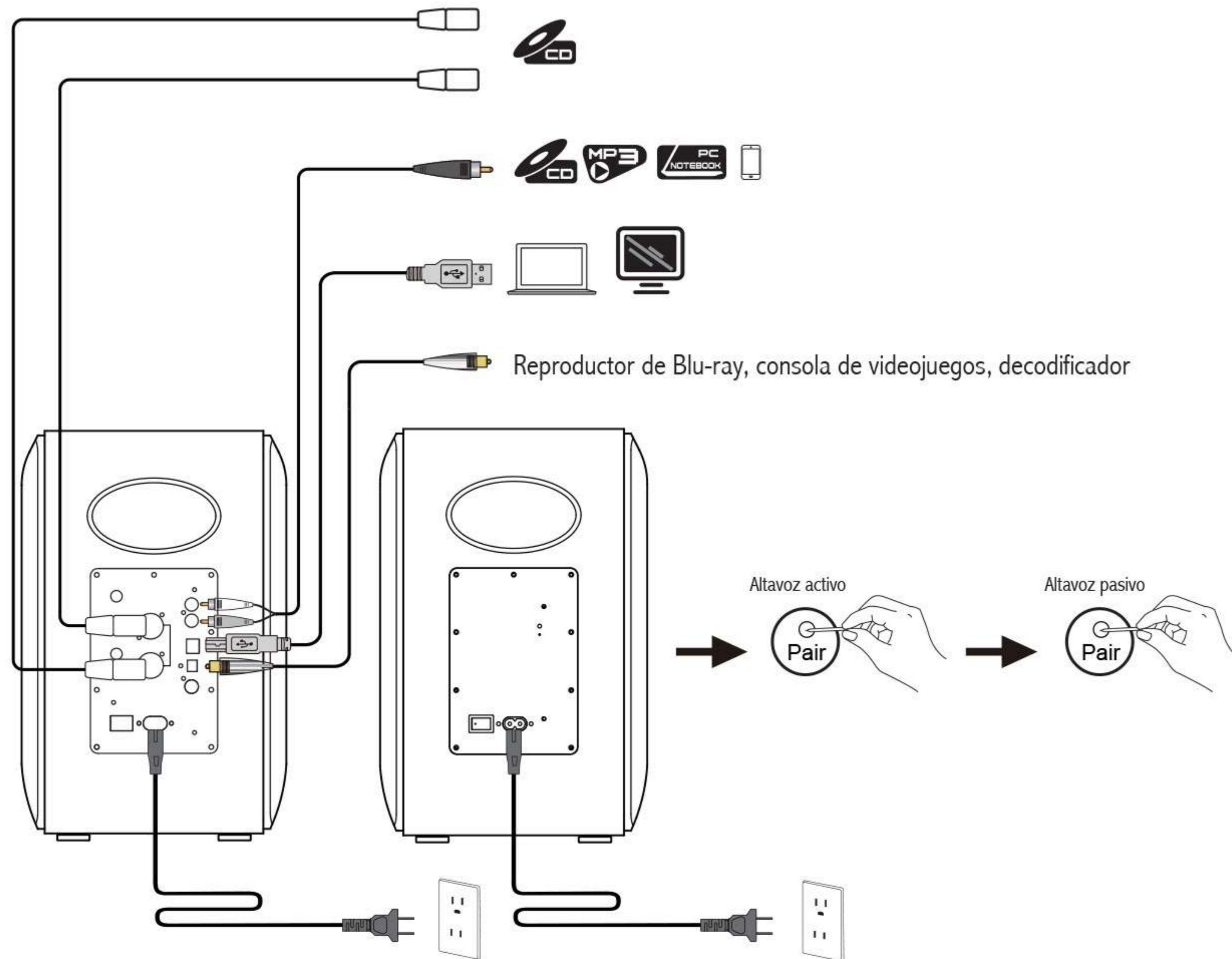
Ilustración del mando a distancia



1. Como muestra la ilustración, presione hacia abajo la cubierta de las pilas del mando a distancia con el pulgar y siga la dirección de la flecha para sacarla, utilice dos pilas AAA (tenga en cuenta los polos «+» y «-»).
2. La duración de la batería es habitualmente de 6 meses; sustitúyala cuando el mando a distancia no responda o la distancia de control se reduzca.
3. No use nunca baterías nuevas y usadas conjuntamente.

Nota:

1. No deje el mando a distancia en lugares calurosos ni húmedos.
2. No cargue las pilas.
3. Retire las baterías cuando no vaya a utilizar el aparato durante un tiempo para evitar fugas.
4. No exponga las pilas a la luz directa del sol ni las deje cerca del fuego o de alguna fuente de calor.
5. Si la batería se sustituye incorrectamente existe peligro de explosión. Sustitúyala únicamente por una de tipo igual o equivalente.



1. Como se muestra en la ilustración, conecte a la fuente de audio utilizando el cable de audio correspondiente.
2. Conecte los altavoces a la fuente de alimentación con el cable y encienda la fuente de alimentación, los altavoces deben estar listos para funcionar, la luz LED en el altavoz activo mostrará la fuente de audio actual.

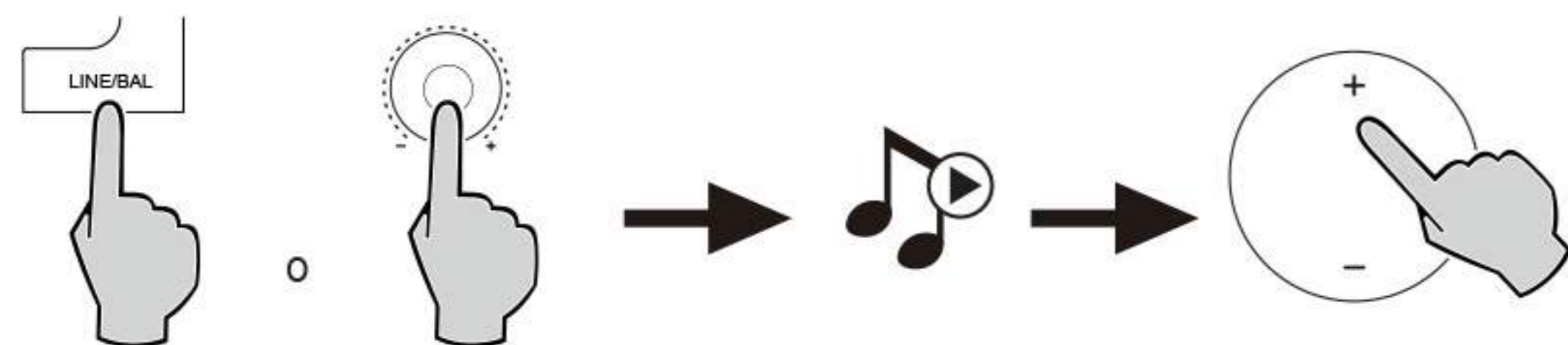
El altavoz activo (R) y el altavoz pasivo (L) se sincronizaron antes de salir de fábrica. La conexión inalámbrica se reanuda automáticamente cuando ambos altavoces estén encendidos y se ilumine el indicador rojo en el altavoz pasivo. Si no se conectan, siga los pasos siguientes para volver a sincronizarlos.

1. Encienda el altavoz activo, luego mantenga pulsado el botón «Pair» (Sincronizar) en el panel posterior del altavoz activo (R), la luz LED del modo actual parpadeará rápidamente en la pantalla;
2. Mantenga pulsado el botón «Pair» (Sincronizar) en el panel posterior del altavoz pasivo (L), el indicador rojo del altavoz pasivo (L) parpadeará rápidamente.
3. Espere hasta que el indicador rojo del altavoz pasivo (L) permanezca encendido. Entonces, la sincronización se ha realizado y se activa la conexión inalámbrica.

Nota:

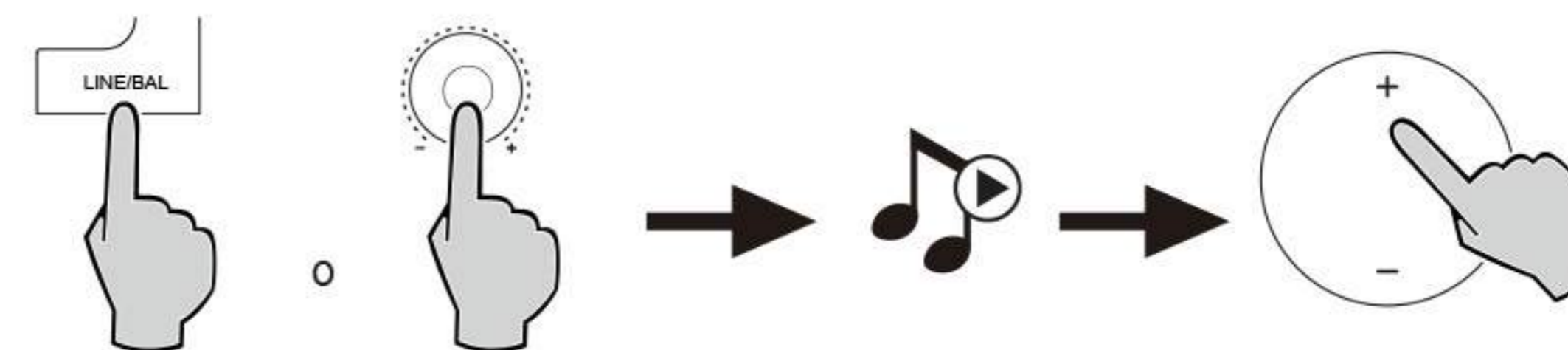
Si el indicador rojo en el altavoz pasivo (L) tiene un ritmo constante, indica que no hay conexión o que la conexión no se ha realizado, repita los pasos anteriores.

Entrada balanceada



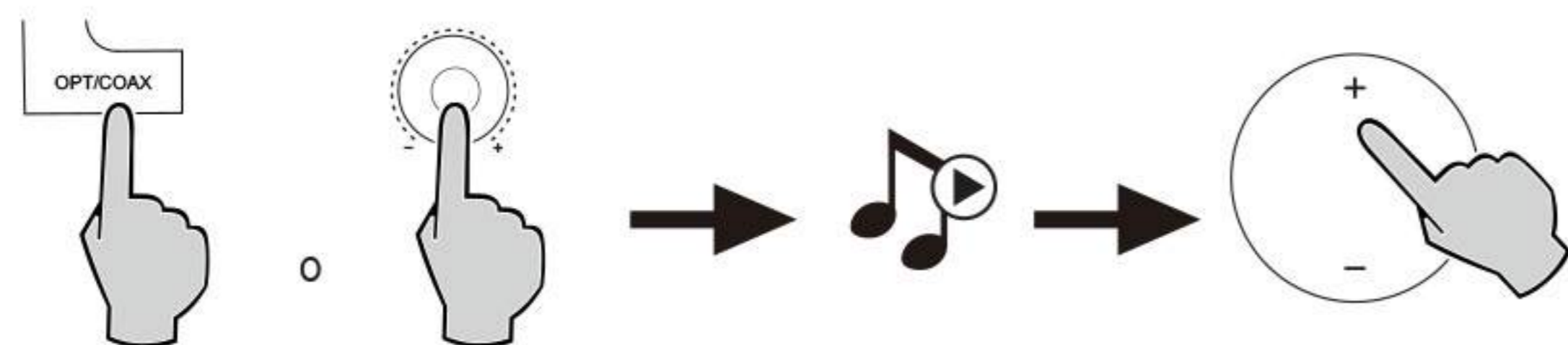
1. Conecte la fuente de audio (reproductor de CD, decodificador, etc.) al puerto de entrada balanceada en el panel posterior del altavoz activo usando el cable de audio balanceado XLR (cable XLR no incluido).
2. Pulse el botón «LINE/BAL» del mando a distancia o presione el botón «Volume dial/Input selection» (Selector de volumen/selección de entrada) del panel posterior del altavoz activo hasta que el indicador LED en el altavoz activo muestre «BAL».
3. Reproduzca la música en el dispositivo conectado y ajuste el volumen al nivel que desee.

Entrada de línea



1. Conecte la fuente de audio (teléfono móvil, tableta, etc.) al puerto de entrada de línea (fijese en la combinación de colores) del panel posterior del altavoz activo con un cable de audio 3,5 mm - RCA o un cable de audio RCA a RCA.
2. Pulse el botón «LINE/BAL» del mando a distancia o presione el botón «Volume dial/Input selection» (Selector de volumen/selección de entrada) del panel posterior del altavoz activo hasta que el indicador LED en el altavoz activo muestre «LINE».
3. Reproduzca la música en el dispositivo conectado y ajuste el volumen al nivel que desee.

Entrada óptica/coaxial

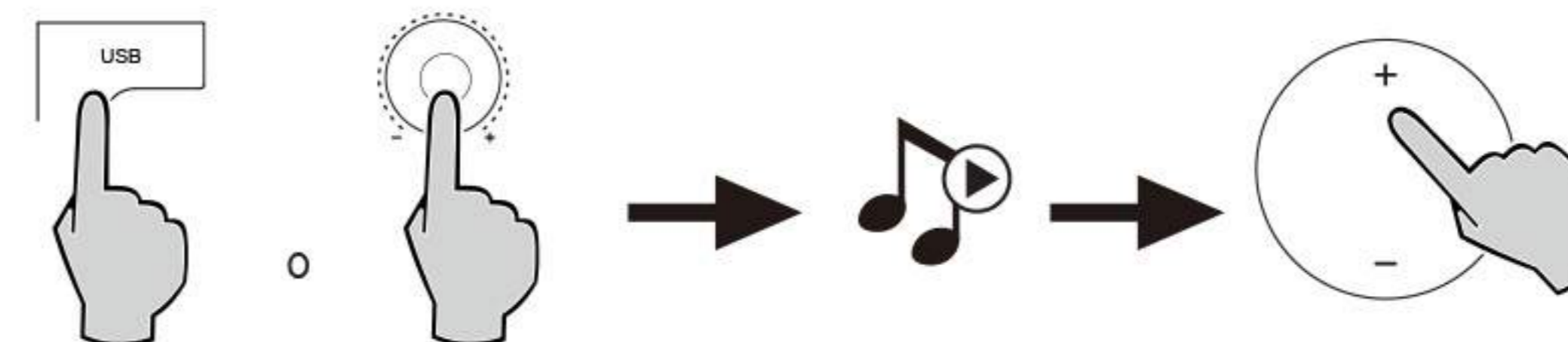


1. Conecte la fuente de audio (reproductor de Blu-ray, decodificador, etc.) al puerto de entrada óptico o coaxial del panel posterior del altavoz activo con un cable de audio de fibra óptica o un cable coaxial (no se incluye el cable coaxial).
2. Pulse el botón «OPT/COAX» del mando a distancia o presione el botón «Volume dial/Input selection» (Selector de volumen/selección de entrada) del panel posterior del altavoz activo hasta que la pantalla del altavoz activo muestre «OPT» o «COAX».
3. Reproduzca la música en el dispositivo conectado y ajuste el volumen al nivel que desee.

Nota:

Solo las señales de audio PCM estándar (44,1KHz/48KHz/96KHz/192KHz) funcionan en el modo óptico/coaxial.

Entrada de audio digital USB



El chip de interfaz USB del S3000 Pro es un chip XMOS que se utiliza en equipos de audio de alta gama. Después de conectarse al ordenador, la interfaz USB extraerá y reproducirá directamente la señal de audio digital de forma similar a la «tarjeta de sonido externa USB» para evitar la degradación del sonido y la compresión de rango dinámico causada por la conversión digital a analógica de la tarjeta de sonido del ordenador y para garantizar la restauración de la calidad de sonido original.

1. Consulte los detalles en la página 49 para descargar e instalar el programa del controlador.
2. Conecte el puerto USB de tipo A del ordenador al puerto de entrada USB de tipo B del panel posterior del altavoz activo con el cable de datos USB tipo A-B.
3. Pulse el botón «USB» del mando a distancia o presione el botón «Volume dial/Input selection» (Selector de volumen/selección de entrada) del panel posterior del altavoz activo hasta que el indicador LED en el altavoz activo muestre «USB».
4. Reproduzca la música en el dispositivo conectado y ajuste el volumen al nivel que desee.

Entrada de audio digital USB

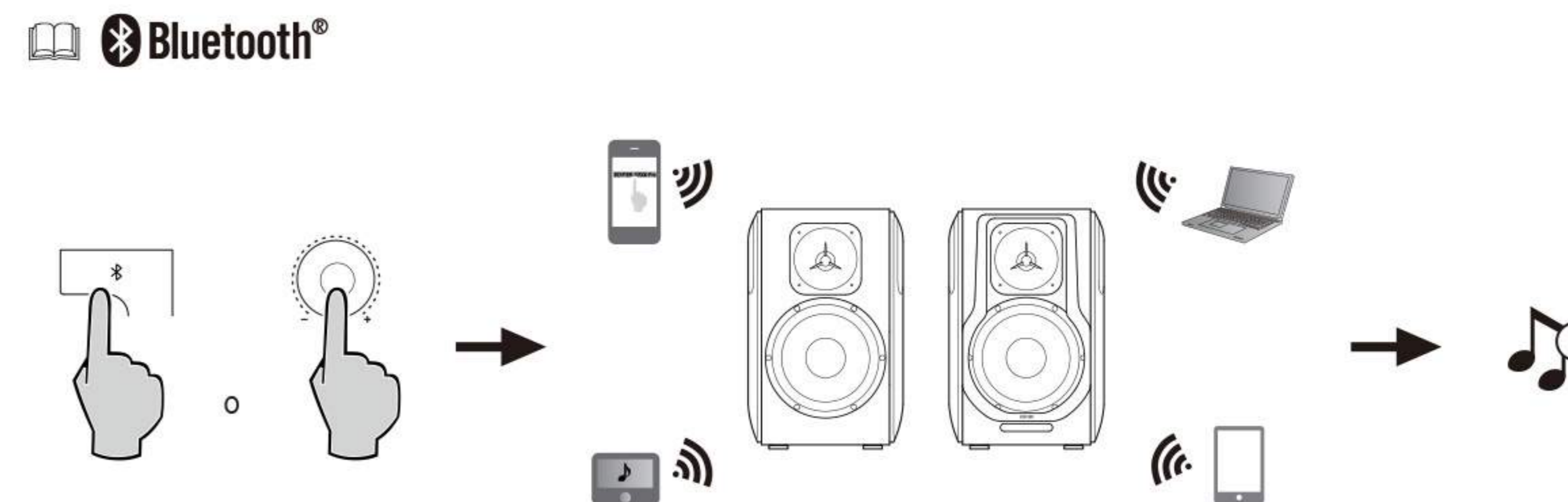
Nota:

1. El controlador USB predeterminado para audio en los sistemas operativos Windows 7 y Windows 10 solo admite el modo de audio USB de Clase 1, que limita la transmisión de audio a PCM de solo 2 canales con frecuencia de muestreo máxima de 96KHz. Para que admita PCM con mayor frecuencia de muestreo, la interfaz USB del S3000 Pro se basa en el modo de audio USB de Clase 2, por lo que se necesita un controlador específico para Windows 7 y Windows 10. Consulte <https://www.edifier.com/cn/zh/speakers/S3000 Pro> para obtener más información.
2. Tenga en cuenta que Microsoft dejó de mantener el sistema XP, por lo que el software del controlador para Windows XP no está disponible. Puede aparecer una advertencia de riesgo durante la instalación, instálelo según sus necesidades.
3. El controlador USB en el Mac OS admite el modo de audio USB de Clase 1 y Clase 2 de manera predeterminada, por lo tanto, no se necesita ningún software de controlador dedicado para que S3000 Pro lo utilice con Mac.
4. Para obtener más información sobre el software del controlador, inicie sesión en el siguiente enlace: <https://www.xmos.com/support/usb-audio-driver-support>
5. Si necesita comprar un cable de datos USB tipo A-B, puede adquirirlo en varias plataformas de comercio electrónico.
6. En el modo USB, se admite la transmisión PCM con varias frecuencias de muestreo, que incluye 44.1KHz/48KHz/96KHz/192KHz.

Nota:

el control de reproducción en la entrada USB pertenece al control HID USB, este control necesita soportes para el software de reproducción, y, por lo tanto, puede haber diferencias de compatibilidad para los diferentes software de reproductor de audio.

Entrada Bluetooth



1. Pulse el botón «» del mando a distancia o presione el botón «Volume dial/Input selection» (Selector de volumen/selección de entrada) del panel posterior del altavoz activo hasta que el indicador LED en el altavoz activo muestre «».
2. Configure su dispositivo Bluetooth (teléfono móvil, tableta, etc.) para buscar y seleccionar «EDIFIER S3000 Pro».

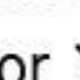
Nota:

- * La función de Bluetooth del S3000 Pro solo se puede buscar y conectar en el modo Bluetooth. La conexión Bluetooth actual se desconectará cuando el altavoz cambie a otra entrada de audio. Cuando el altavoz vuelva a estar en el modo de entrada Bluetooth, intentará conectarse con el último dispositivo Bluetooth conectado.
- * Si necesita el código PIN para conectarse, introduzca «0000».
- * Para desconectar el Bluetooth, mantenga pulsado el botón «» del mando a distancia durante 2 segundos.
- * Para disfrutar de todas las funciones Bluetooth de este producto, asegúrese de que el dispositivo de audio admite los perfiles A2DP y AVRCP.
- * La compatibilidad y la conectividad Bluetooth puede variar entre dispositivos fuente diferentes, ya que depende de la versión del software de los dispositivos fuente.
- * El decodificador Qualcomm® aptX™ incorporado en el producto le ayuda a obtener una mejor calidad de sonido mediante transmisión inalámbrica, por lo tanto, utilice dispositivos compatibles con Qualcomm® aptX™.

Especificaciones

Potencia de salida:	D/I (Agudos): 8W+8W D/I (Medios y bajos): 120W+120W
Respuesta de frecuencia:	38Hz~40KHz
Entradas de audio:	Entrada de línea/USB/óptica/coaxial/Bluetooth/balanceada
Banda de frecuencia:	2.402GHz ~ 2.480GHz
RF Potencia de salida:	≤ 20 dBm (EIRP)
No hay restricciones de uso.	

Resolución de problemas

Problema	Solución
No hay sonido	• Compruebe si la luz de encendido está encendida.
	• Intente subir el volumen con el botón de control de volumen general o con el mando a distancia.
	• Asegúrese de que los cables de audio están correctamente conectados y la entrada a los altavoces está ajustada.
	• Compruebe si hay señal de salida de la fuente de audio.
No se puede conectar a través de Bluetooth	• Asegúrese de que el altavoz está conectado a la entrada Bluetooth. Si está seleccionada otra entrada de audio, no se conectará el Bluetooth. Desconéctese de cualquier dispositivo Bluetooth, para ello pulse y mantenga pulsado el selector  en el modo Bluetooth, después, inténtelo de nuevo.
	• El alcance de transmisión de Bluetooth es de 10 metros, por favor, asegúrese de que está dentro de esa distancia.
	• Pruebe la conexión con otro dispositivo Bluetooth.
El S3000 Pro no se enciende	• Compruebe si el enchufe está conectado a la toma de corriente o si hay corriente.

Si quiere saber más sobre EDIFIER, visite www.edifier.com.

Para consultas sobre la garantía Edifier, por favor, seleccione la página del país correspondiente en www.edifier.com y revise la sección Condiciones de la garantía.

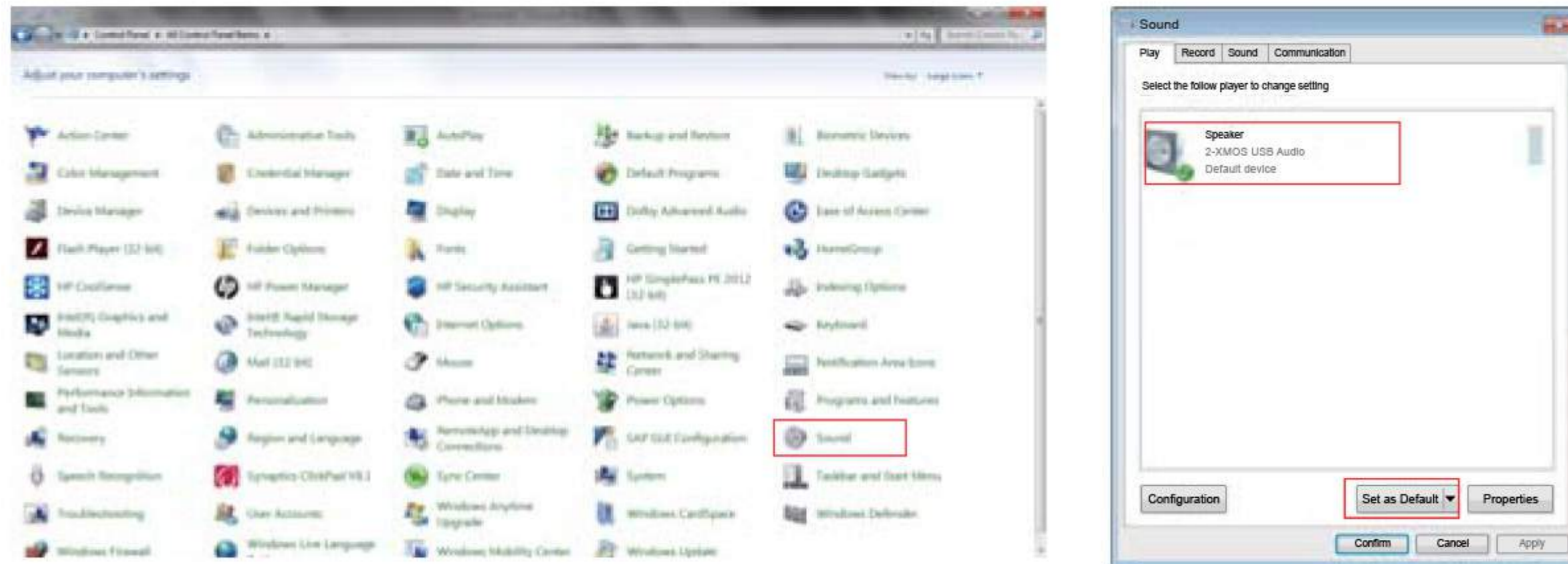
EE.UU. y Canadá: service@edifier.ca

América del Sur: por favor, visite www.edifier.com (inglés) o www.edifierla.com (español/portugués) para obtener información de contacto local.

Resolución de problemas

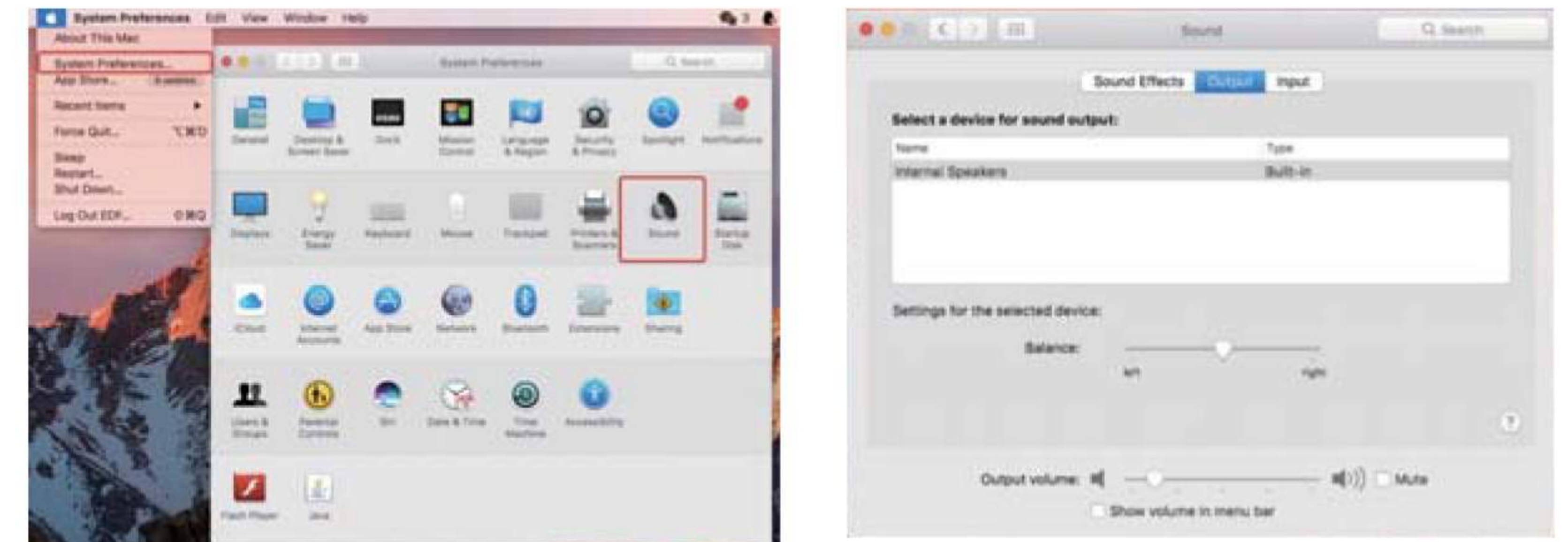
Si el altavoz está conectado al ordenador mediante un cable de audio USB:

- Si el ordenador usa el sistema operativo Windows, asegúrese de que se haya instalado el controlador USB especial para S3000 Pro; de lo contrario, descargue e instale el controlador.
- Para usuarios de Windows, abra «Administrador de dispositivos» para comprobar si aparece un dispositivo USB como «EDIFIER S3000 Pro» o «XMOS USB Audio» en el listado; de lo contrario, es posible que tenga que instalar el programa de controlador USB especial para S3000 Pro o reiniciar el ordenador. Para usuarios de Mac, abra «Preferencias del sistema» → «Sonido», para comprobar si aparece un dispositivo de salida de audio como «EDIFIER S3000 Pro».
- Asegúrese de que el altavoz esté configurado como dispositivo de salida de audio.
Para usuarios de Windows, abra «Panel de control» → «Sonido» → «Reproducir» → «Establecer como predeterminado» para configurar «XMOS USB Audio» como el dispositivo de salida de audio actual.



Resolución de problemas

Para usuarios de Mac: abra «Preferencias del sistema» → «Sonido» → «Salida» para seleccionar «EDIFIER S3000 Pro» como el dispositivo de salida de audio actual.



Wichtige sicherheitshinweise

1. Bitte lesen Sie diese Anweisungen sorgfältig. Die Anleitung an einem sicheren Ort zum Nachschlagen aufbewahren.
2. Verwenden Sie nur vom Hersteller zugelassenes Zubehör.
3. Installieren Sie das Gerät ordnungsgemäß entsprechend den Anweisungen im Abschnitt Geräteanschluss.
4. Es wird empfohlen, das Produkt in einer Umgebung mit 0-35°C zu verwenden.
5. Um die Gefahr von Feuer oder Stromschlag zu vermeiden, setzen Sie dieses Produkt weder Regen noch Feuchtigkeit aus.
6. Dieses Produkt nicht in der Nähe von Wasser nutzen. Das Produkt nicht in Flüssigkeiten tauchen oder es Tropf- oder Spritzwasser aussetzen.
7. Dieses Produkt nicht in der Nähe einer Wärmequelle installieren oder verwenden (z.B. Heizkörper, Heizung, Herd oder andere Geräte, die Hitze entwickeln).
8. Keine mit Flüssigkeit gefüllten Objekte, wie Vasen, auf dem Produkt abstellen; noch sollten Feuerquellen, wie brennende Kerzen, darauf abgestellt werden.
9. Blockieren Sie keine Lüftungsöffnungen. Stecken Sie keine Gegenstände in die Lüftungsöffnungen oder Schlitze. Dies kann zu einem Brand oder elektrischem Schlag führen.
10. Ausreichend Abstand um das Produkt herum lassen, um eine ausreichende Belüftung zu ermöglichen (mindestens 5 cm empfohlen).
11. Keinen Stecker gewaltsam in die Buchse einführen. Vor dem Anschluss prüfen, ob Blockaden in der Buchse vorliegen und ob der Stecker zur Buchse passt und in die richtige Richtung weist.
12. Bewahren Sie das mitgelieferte Zubehör und die Einzelteile (z.B. Schrauben) von Kindern entfernt auf, um zu verhindern, dass diese versehentlich verschluckt werden.
13. Das Gehäuse nicht selbst öffnen oder entfernen. Andernfalls können Sie gefährlichen Spannungen oder anderen Gefahren ausgesetzt sein. Unabhängig von der Ursache der Schäden (wie beispielsweise beschädigte Kabel oder Stecker, Berührung durch Flüssigkeitsspritzer oder fallende Fremdkörper, Regen oder Feuchtigkeit, Produkt funktioniert nicht oder wird fallen gelassen etc.) muss die Reparatur durch einen autorisierten Reparaturdienst erfolgen.
14. Vor Reinigung des Produkts mit einem trockenen Tuch, schalten Sie das Produkt immer ab und ziehen Sie zuerst den Stromstecker.
15. Verwenden Sie niemals eine starke Säure, Alkali, Benzin, Alkohol oder eine andere Chemikalie, um die Produktoberfläche zu reinigen. Verwenden Sie ein neutrales Lösungsmittel oder sauberes Wasser für die Reinigung.



Übermäßig laute Musik kann zu Gehörschäden führen. Bitte halten Sie die Lautstärke in einem sicheren Bereich.



Richtige Entsorgung dieses Produkts. Dieses Zeichen zeigt an, dass dieses Produkt in der gesamten EU nicht mit dem übrigen Hausmüll entsorgt werden darf. Um mögliche Umwelt- oder Gesundheitsschäden durch unkontrollierte Müllentsorgung zu vermeiden, das Produkt verantwortlich recyceln, um eine nachhaltige Wiederverwendung der Materialressourcen zu fördern. Bitte das gebrauchte Gerät an den Rücknahme- und Sammelsystemen abgeben oder den Händler, bei dem das Produkt gekauft wurde, kontaktieren. Sie können das Produkt umweltgerecht recyceln.



Nur mit dem vom Hersteller genehmigten oder mit dem Gerät erworbenen Wagen, Ständer, Stativ, Halter oder Tisch benutzen. Beim Verwenden eines Wagens beim Bewegen der Wagen/Gerätekombination vorsichtig sein, um Verletzungen durch Umkippen zu vermeiden.

Wichtige sicherheitshinweise

Stromwarnung:

1. Platzieren Sie das Produkt zum einfachen Einsatz in der Nähe der Steckdose.
2. Vor dem Gebrauch sicherstellen, dass die Betriebsspannung mit der lokalen Stromversorgung übereinstimmt. Die korrekte Betriebsspannung ist dem Produktschild zu entnehmen.
3. Das Produkt aus Sicherheitsgründen während eines Gewitters oder bei Nichtverwendung über einen längeren Zeitraum aus der Steckdose ziehen.
4. Unter normalen Bedingungen kann sich das Netzteil erhitzen. Bitte sorgen Sie für eine ausreichende Umgebungsbelüftung und lassen Sie Vorsicht walten.
5. Sicherheits-Warnhinweise auf dem Gehäuse oder an der Unterseite des Produkts oder am Netzteil.



Dieses Symbol macht den Benutzer auf die Präsenz gefährlicher Spannung im Gehäuse des Produkts aufmerksam, die stark genug sein kann, um ein Stromschlag-Risiko für Personen darzustellen.



Dieses Symbol warnt den Benutzer, das Gehäuse des Produkts nicht zu zerlegen und weist darauf hin, dass es im Inneren keine durch den Benutzer austauschbare Teile gibt. Bringen Sie das Produkt zur Reparatur zu einem autorisierten Kundendienst-Zentrum.



Dieses Symbol weist darauf hin, dass das Produkt nur für den Innenbereich geeignet ist.



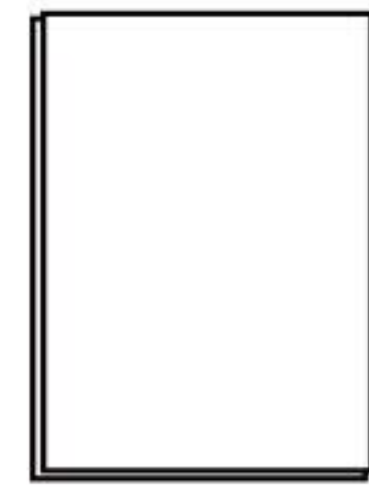
Dieses Symbol weist darauf hin, dass es sich um ein Produkt der KLASSE II handelt bzw. um ein doppelt isoliertes elektrisches Gerät, das keine Erdung erfordert.

Bei längerer Nichtbenutzung Netzstecker ziehen.

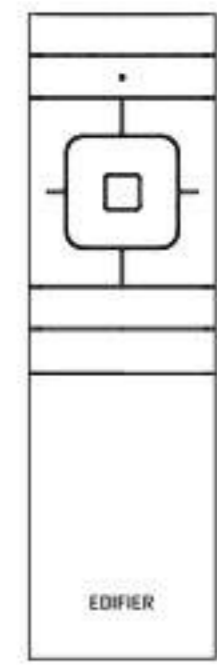
Das drahtlose Produkt:

1. Das drahtlose Produkt kann Kurzwellen-Funkfrequenzen erzeugen und mit den normalen Gebrauch anderer elektronischer Geräten oder medizinischer Geräte stören.
2. Das Produkt ausschalten, wo es nicht zugelassen ist. Das Produkt nicht in medizinischen Einrichtungen, im Flugzeug, an Tankstellen, in der Nähe automatischer Tore, automatischer Brandmeldeanlagen oder anderer automatisierter Geräte verwenden.
3. Das Produkt nicht in einer Reichweite von 20 cm in der Nähe eines Herzschrittmachers verwenden. Die Funkwellen können den normalen Betrieb des Herzschrittmachers oder anderer medizinischer Geräte beeinträchtigen.

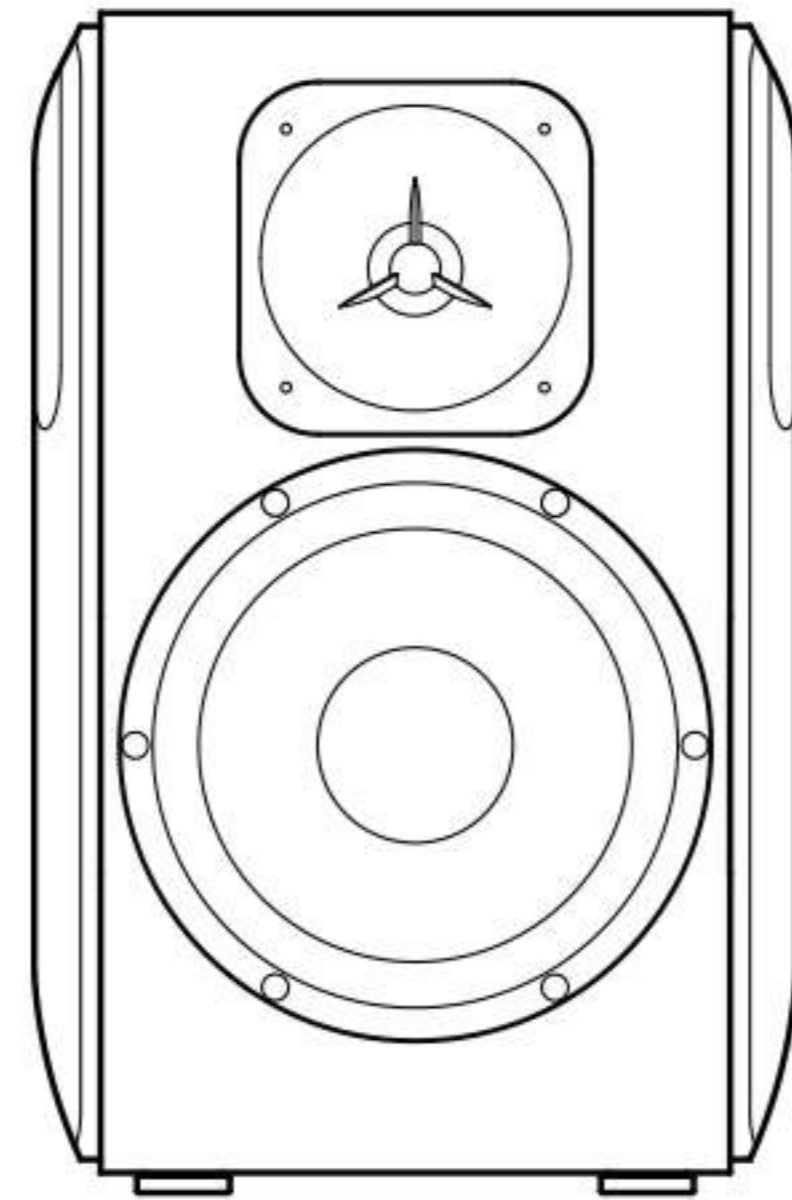
Schachtelinhalt



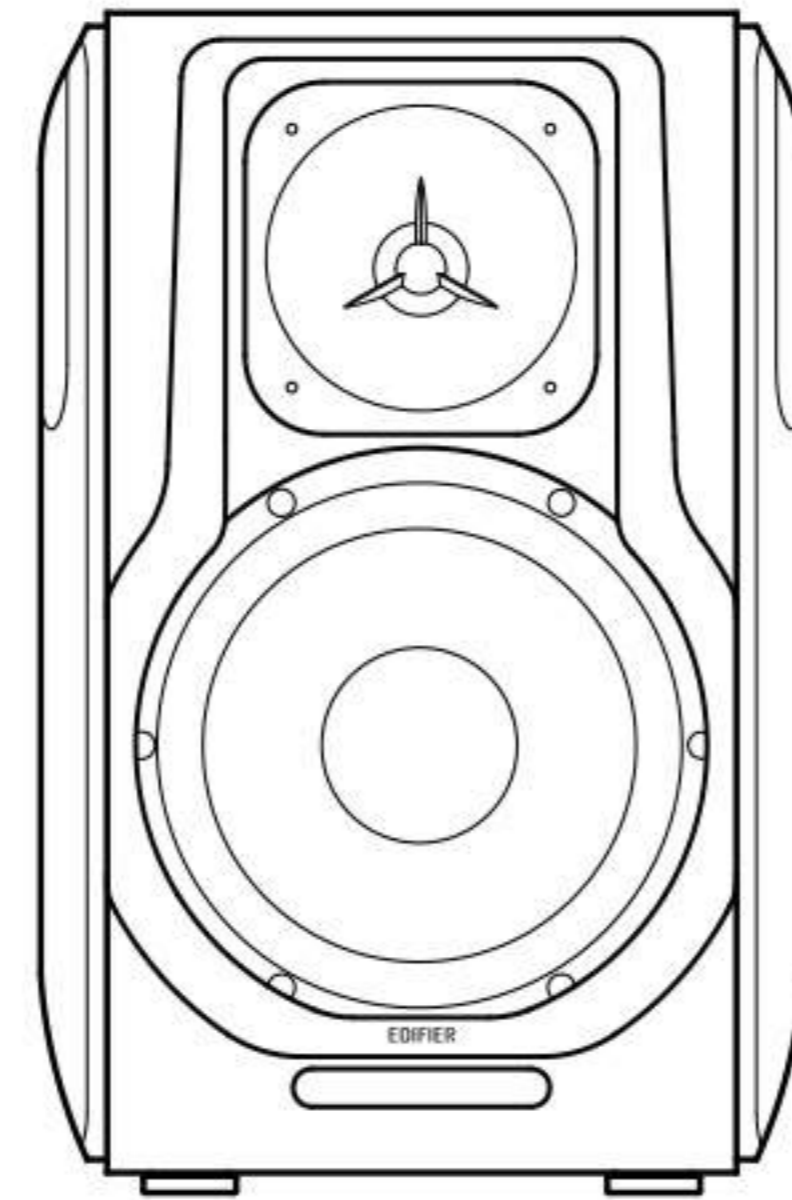
Bedienungsanleitung



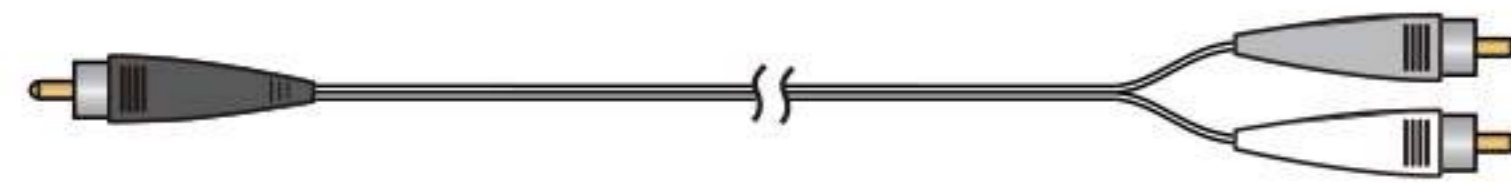
Fernbedienung



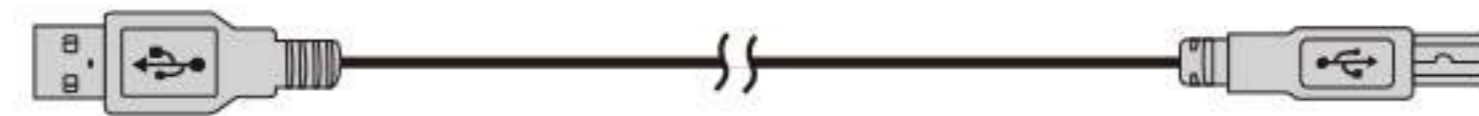
Passiv-Lautsprecher (L)



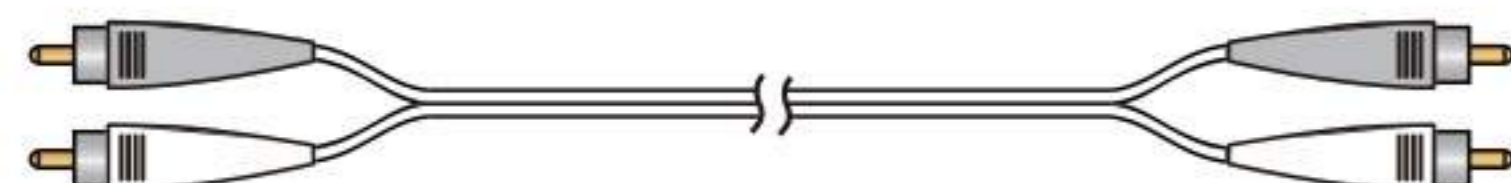
Aktiv-Lautsprecher (R)



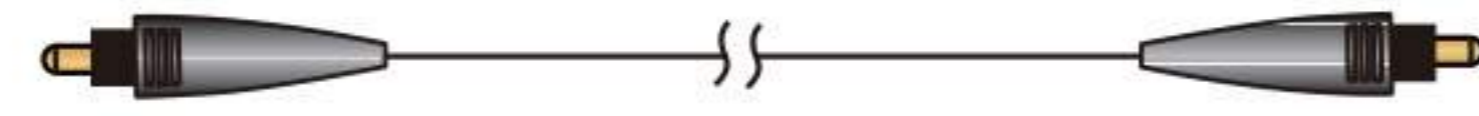
3,5-mm-RCA-Audiokabel



USB-A-zu-B-Datenkabel



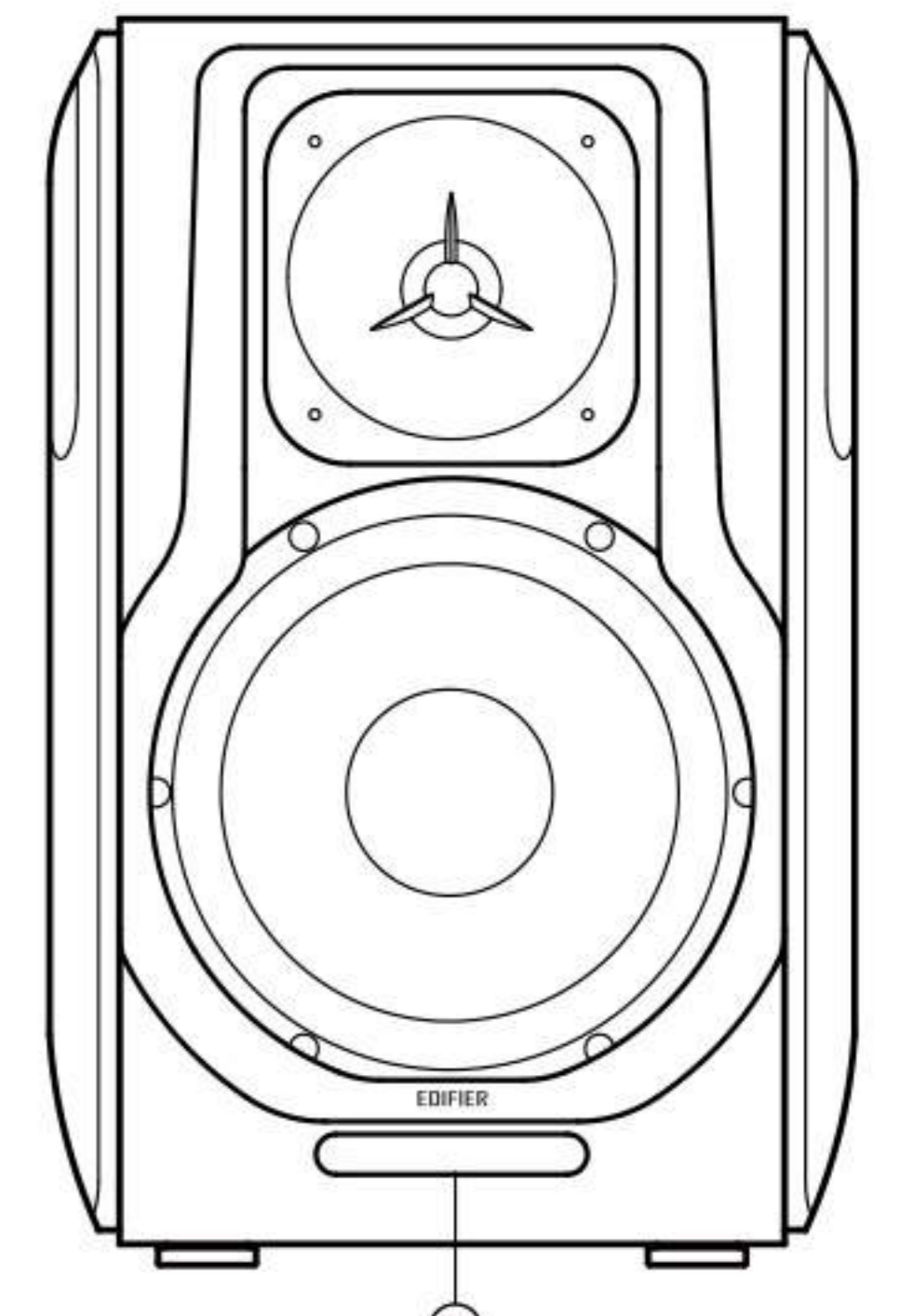
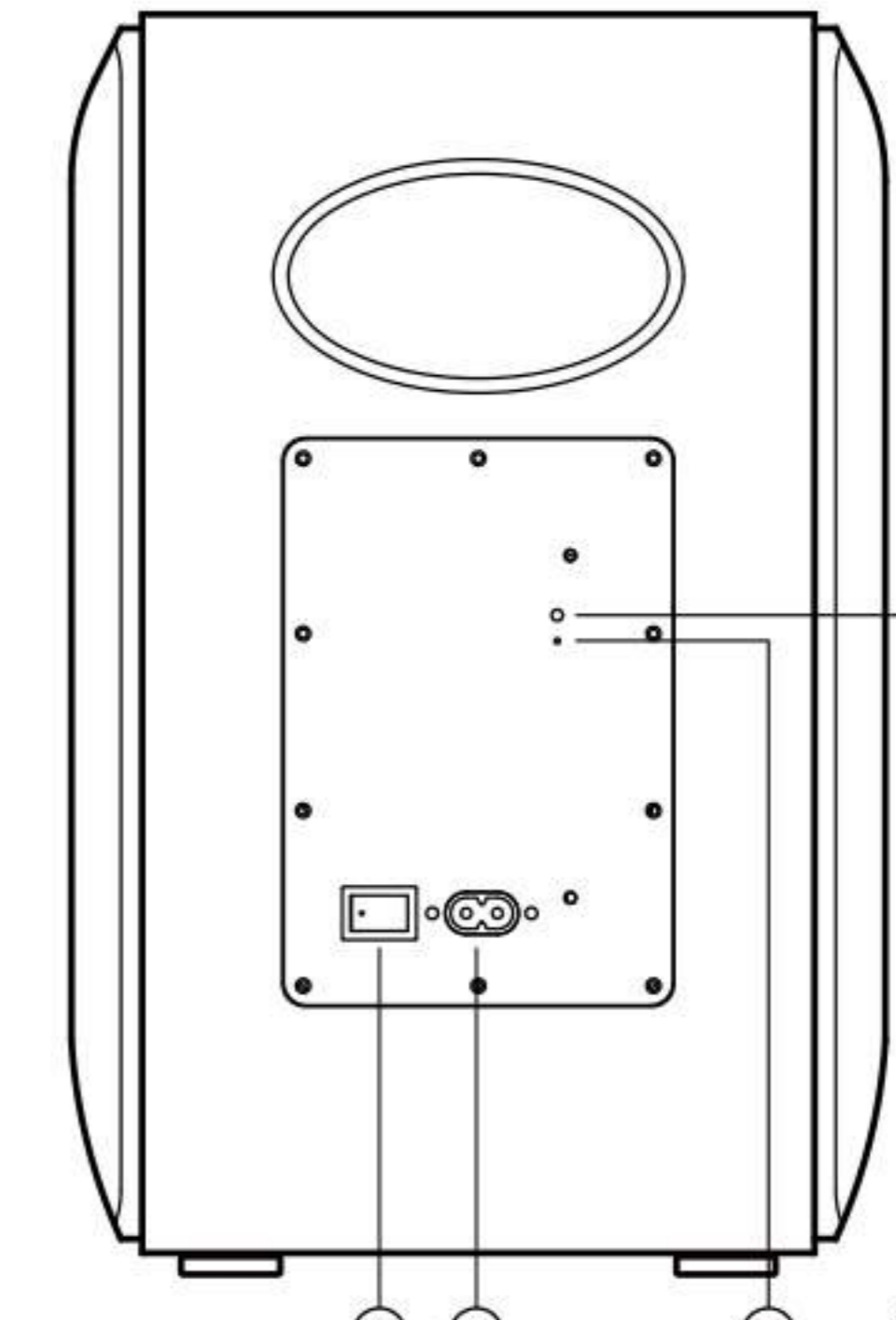
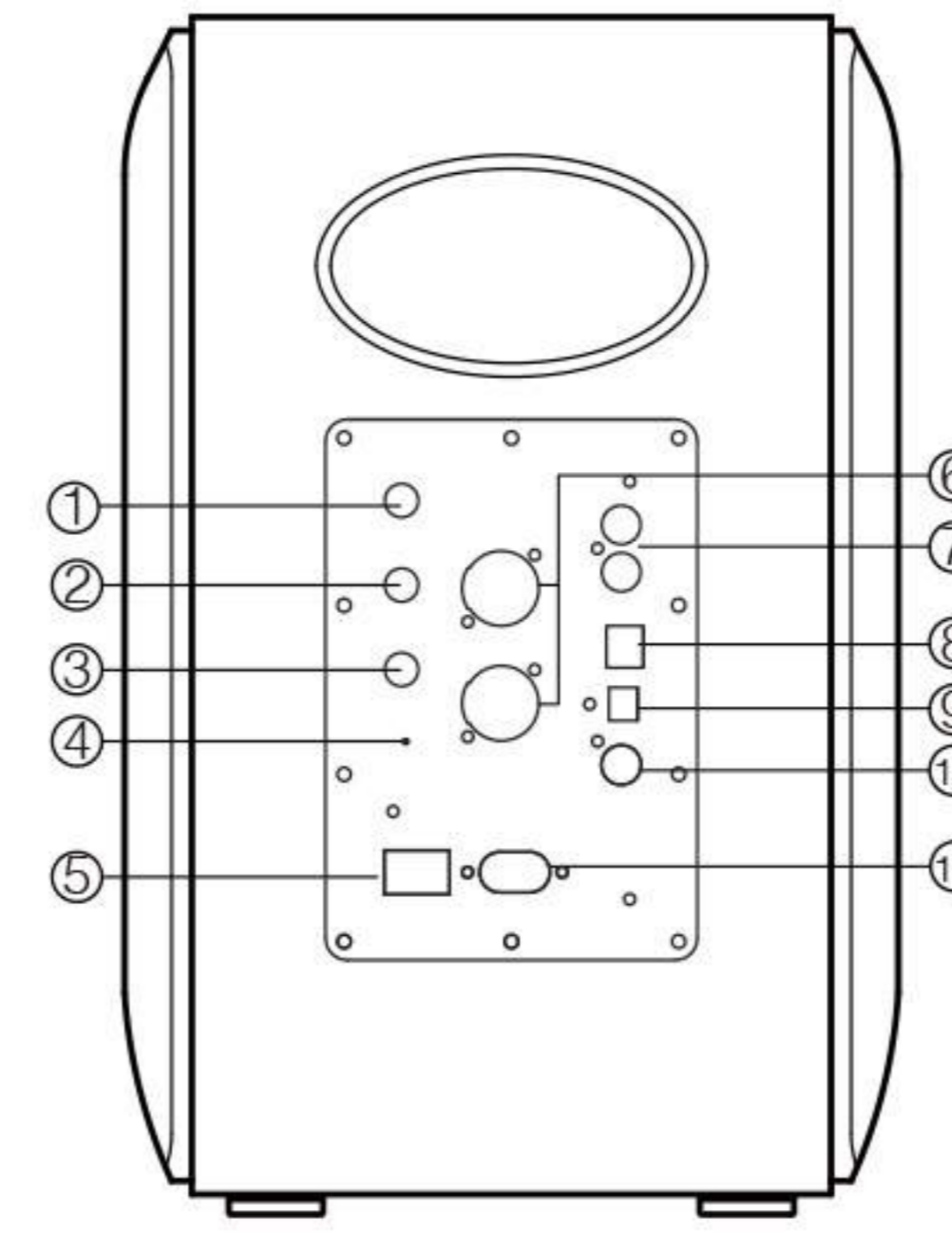
RCA-zu-RCA-Audiokabel



LWL-Eingangskabel



Netzkabel x 2

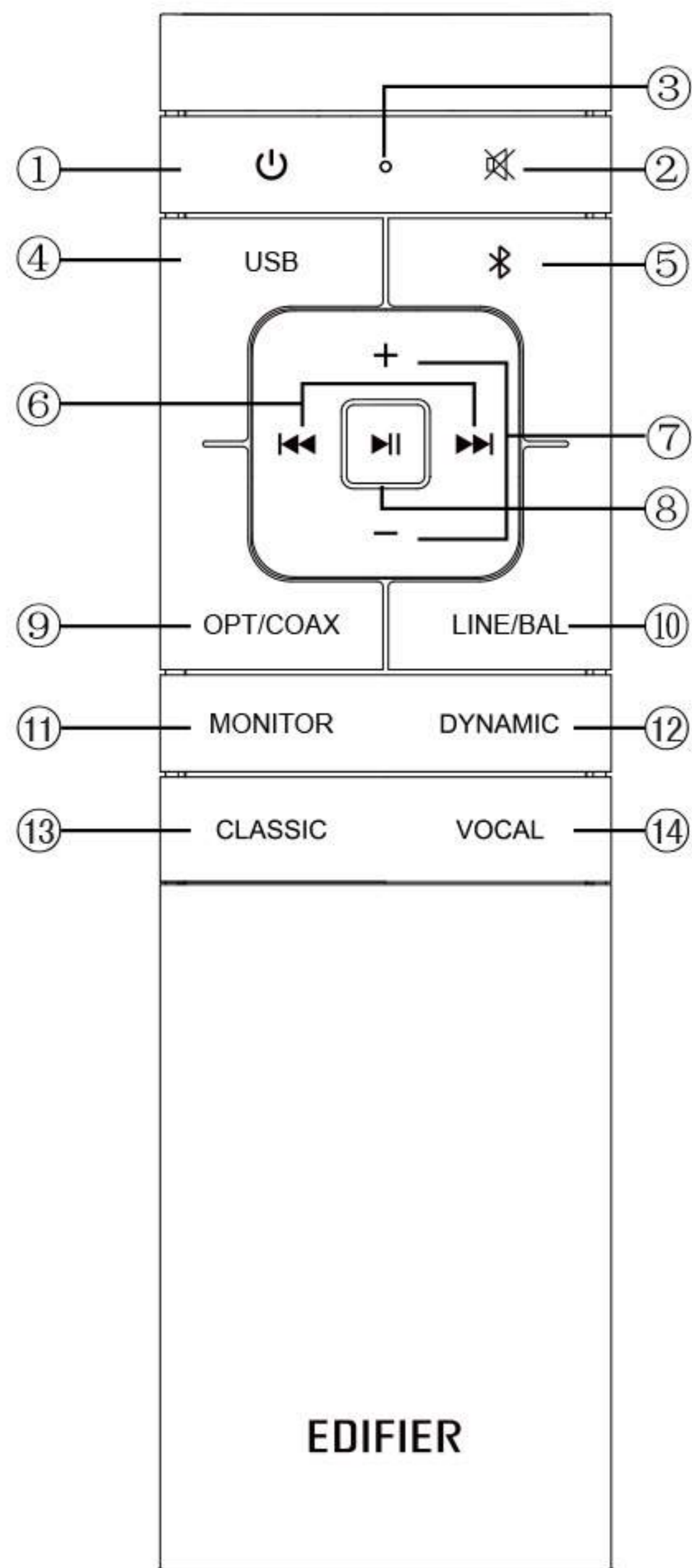


1. Lautstärkereglер/Eingangswahl („Click-in“ zum Umschalten von LINE→BAL→OPT→COAX→USB→ Eingang)
2. Höhenregler
3. Tiefenregler
4. Kopplungstaste des Passiv-Lautsprechers
5. Ein-/Ausschalter
6. Symmetrischer Eingang
7. Line-in-Eingang
8. USB-Digital-Audio-Eingang
9. Optischer Eingang
10. Koaxiale Eingang
11. Netzkabelanschluss
12. Ein-/Ausschalter

13. Netzkabelanschluss
14. Kopplungstaste des Passiv-Lautsprechers
15. Statusanzeige
16. Anzeigefenster
 - a. Zeigt die aktuelle Audioquelle an:
LINE→BAL→OPT→COAX→USB→
 - b. Modus-Auswahl:
(MONITOR) Monitor-Modus ist eingeschaltet:
LED-Anzeige blinkt einmal auf
(DYNAMIC) Dynamischer Modus ist eingeschaltet:
LED-Anzeige blinkt zweimal auf
(CLASSIC) Klassik-Modus ist eingeschaltet:
LED-Anzeige blinkt dreimal
(VOCAL) Gesangsmodus ist eingeschaltet:
LED-Anzeige blinkt viermal

Fernbedienung Abbildung

Halten Sie die Fernbedienung in Richtung des Remote-Empfangsfensters des Lautsprechers, die optimale Entfernung für die Nutzung der Fernbedienung beträgt bis 7 Meter.



1. EIN/AUS
2. Stumm
3. Fernbedienungs-LED
4. USB-Eingang
5. Bluetooth-Eingang (Halten Sie die Taste gedrückt, um den Bluetooth-Anschluss zu trennen)
6. Vorheriger/Nächster Titel (Nur Bluetooth-/USB-Audioquellen)
7. Lautstärke erhöhen/Lautstärke verringern
8. Wiedergabe/pause (Nur Bluetooth-/USB-Audioquellen)
9. Optischer/Koaxiale Eingang
10. Line-in-/Symmetrischer Eingang
11. Monitor-Modus
12. Dynamischer Modus
13. Klassik-Modus
14. Gesangsmodus

Vier Modi:

MONITOR-Modus: Verfügt über eine flache Audio-Ansprechkurve für Klang ohne Farbgebung.

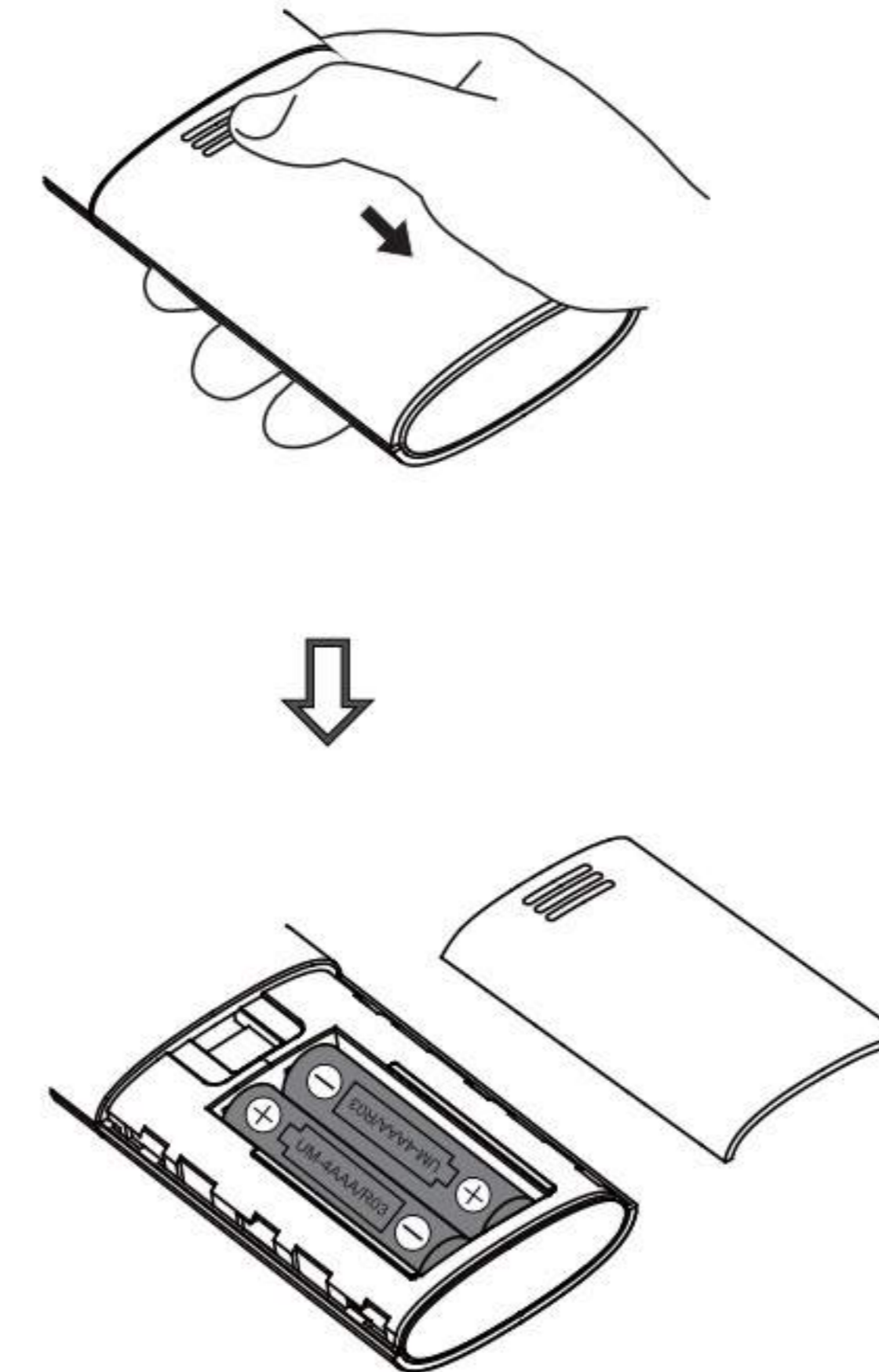
DYNAMIC-Modus: Mehr Bässe und Dynamik.

CLASSIC-Modus: Wiedergabe des klassischen HIFI-Klangs.

VOCAL-Modus: Schwerpunkt auf Sprache, die Position des Sängers ist dichter am Zuhörer.

Hinweis: Nach dem Aus-/Einschalten oder dem Umschalten der Audioquelle kehrt der Lautsprecher standardmäßig in den CLASSIC-Modus zurück. Bitte stellen Sie die anderen Modi manuell über die Fernbedienung ein.

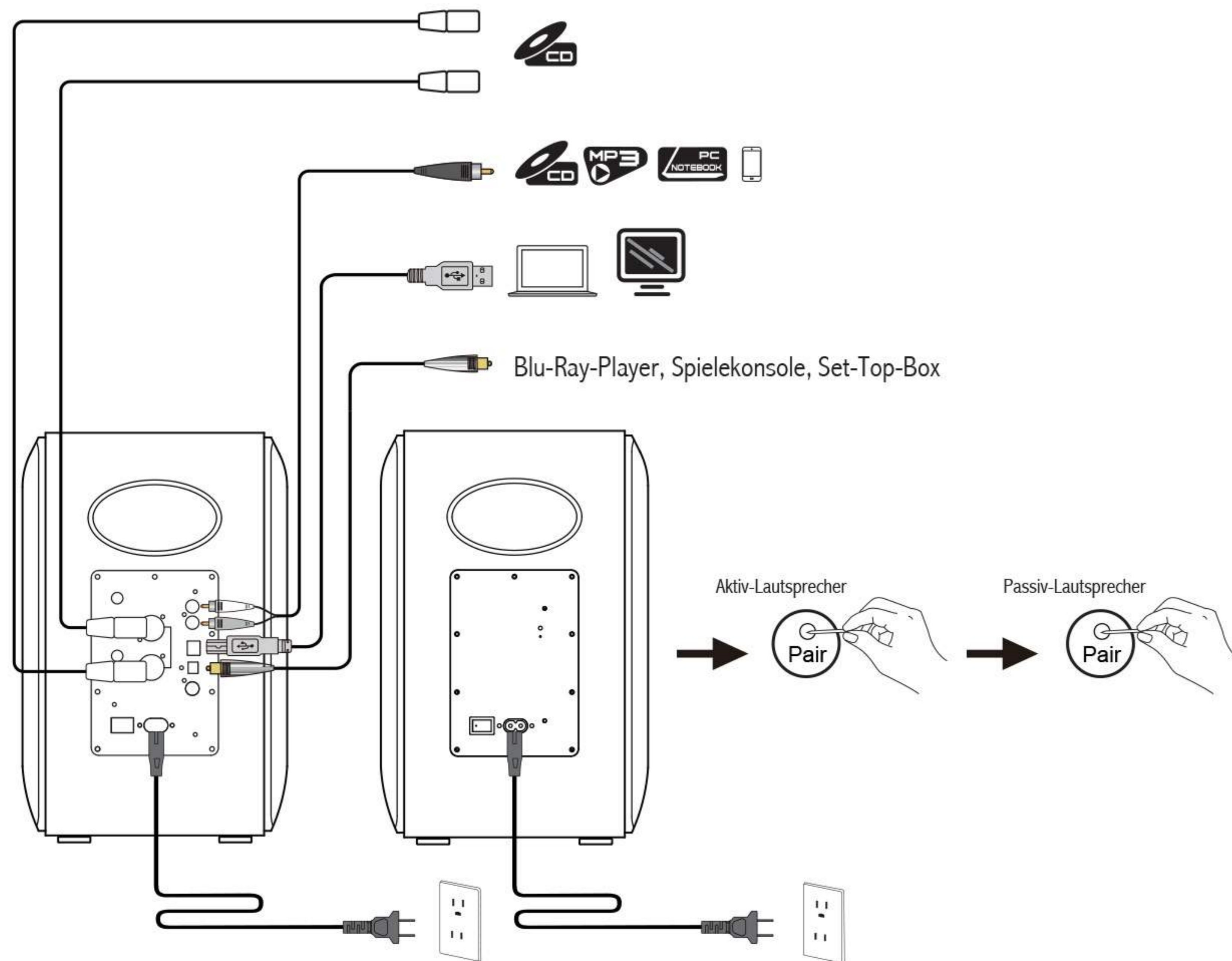
Fernbedienung Abbildung



1. Wie die Abbildung zeigt, drücken Sie die Batterieabdeckung der Fernbedienung mit dem Daumen und folgen Sie der Pfeilrichtung, um die Abdeckung zu entfernen. Funktioniert mit zwei AAA-Batterien (bitte beachten Sie die "+" und "-" Polarität).
2. Die Batterielebensdauer beträgt ca. 6 Monate; bitte ersetzen Sie sie, wenn die Fernbedienung nicht mehr reagiert oder der Abstand verringert werden muss.
3. Vermischen Sie niemals alte und neue Batterien.

Hinweis:

1. Bewahren Sie die Fernbedienung nicht an heißen und feuchten Orten auf.
2. Laden Sie die Batterien nicht.
3. Entnehmen Sie die Batterien bei längerem Nichtgebrauch, um ein Auslaufen zu vermeiden.
4. Die Batterie sollte keiner starken Hitze wie direkter Sonneneinstrahlung, Feuer oder Ähnlichem ausgesetzt sein.
5. Explosionsgefahr, wenn die Batterie falsch ersetzt wird. Ersetzen Sie die Batterie nur durch den gleichen oder ähnlichen Typ.



1. Den Hauptschalter einschalten, und Ihre Lautsprecher sollten betriebsbereit sein.
2. Verbinden Sie die Lautsprecher über die Netzkabel mit der Stromversorgung und schalten Sie den Netzschalter ein. Die Lautsprecher sind jetzt betriebsbereit. Die LED-Anzeige am Aktiv-Lautsprecher leuchtet und zeigt die aktuelle Audioquelle an.

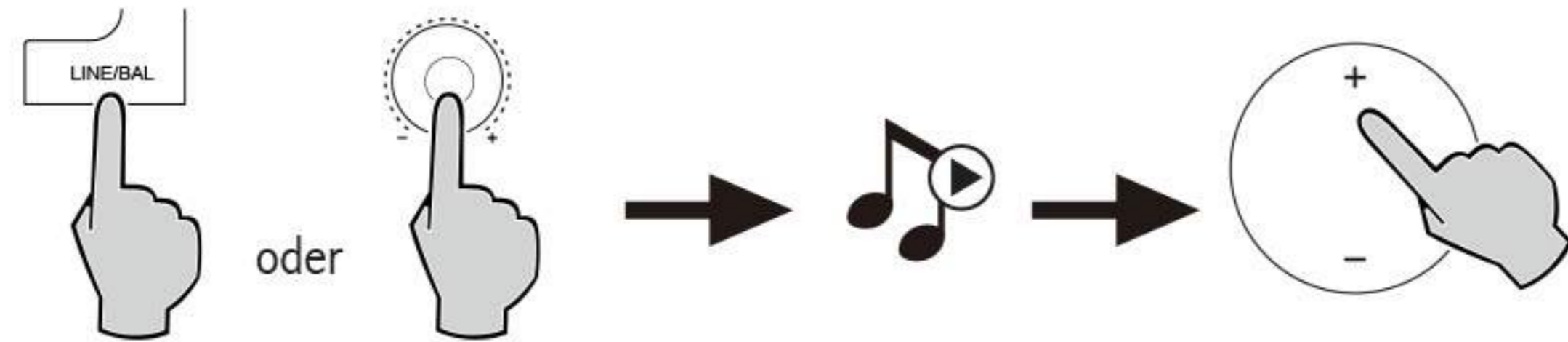
Der aktive Lautsprecher (R) und der Passiv-Lautsprecher (L) wurden vor dem Verlassen der Fabrik gekoppelt. Die drahtlose Verbindung wird automatisch wiederhergestellt, wenn beide Lautsprecher eingeschaltet sind und die rote Kontrollanzeige am Passiv-Lautsprecher leuchtet. Kann die drahtlose Verbindung nicht wiederhergestellt werden, führen Sie die folgenden Schritte durch, um sie erneut zu verkoppeln.

1. Schalten Sie den Aktiv-Lautsprecher ein und halten Sie die „Pair“-Taste auf der Rückseite des Aktiv-Lautsprechers (R) gedrückt. Die LED-Anzeige im Display des aktuellen Modus wird schnell blinken.
2. Halten Sie die „Pair“-Taste auf der Rückseite des Passiv-Lautsprechers (L) gedrückt, die rote Anzeige am Passiv-Lautsprecher (L) blinkt schnell.
3. Warten Sie, bis die rote Kontrollanzeige am Passiv-Lautsprecher (L) dauerhaft leuchtet. Dann ist die Kopplung abgeschlossen und eine drahtlose Verbindung hergestellt.

Hinweis:

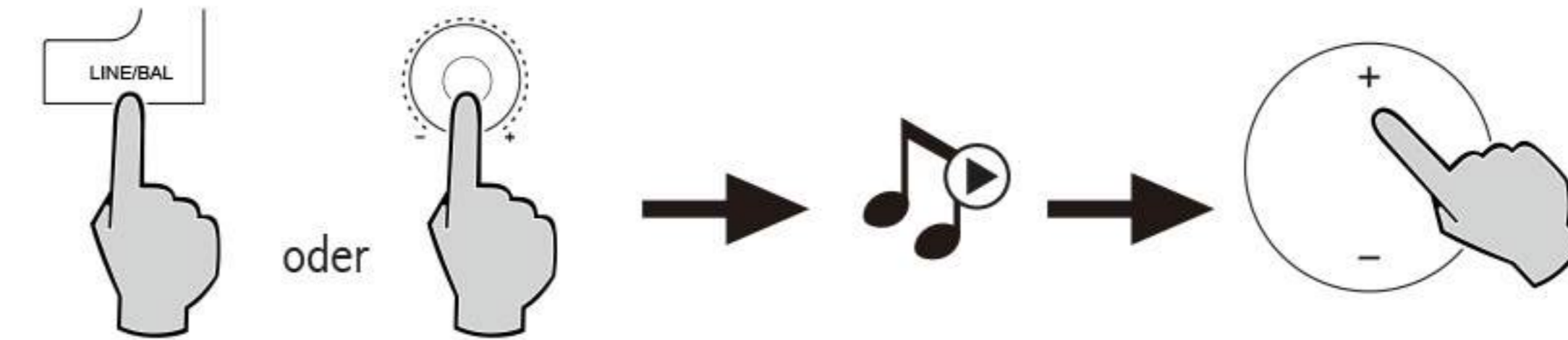
Wenn die rote Anzeige am Passiv-Lautsprecher (L) langsam leuchtet, bedeutet dies, dass keine Verbindung besteht oder die Kopplung nicht erfolgreich war. Wiederholen Sie die obigen Schritte.

Symmetrischer Eingang



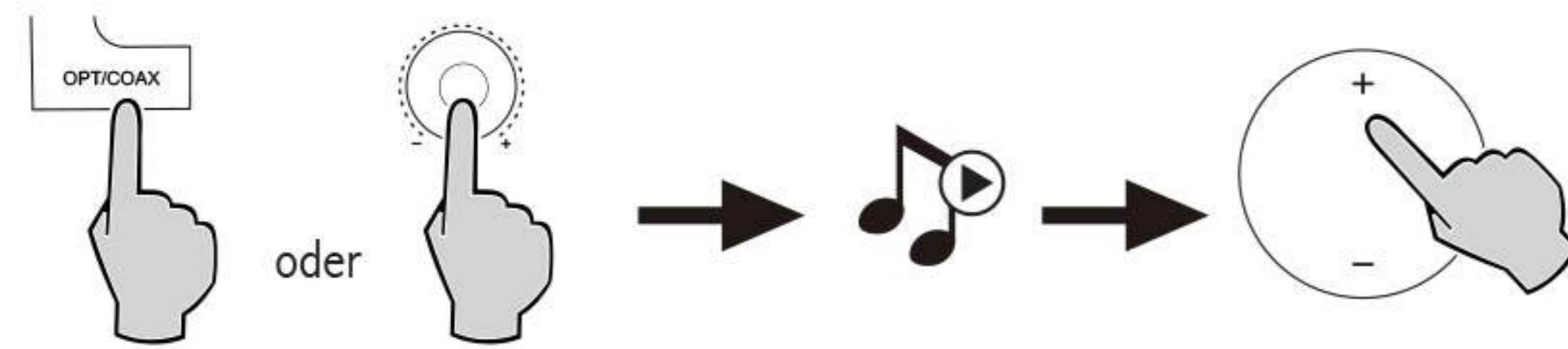
1. Schließen Sie die Audioquelle (CD-Player, Decoder usw.) mit einem symmetrischen XLR-Audiokabel (XLR-Kabel nicht im Lieferumfang enthalten) an den symmetrischen Eingang an der Rückseite des Aktiv-Lautsprechers an.
2. Drücken Sie die Taste „LINE/BAL“ auf der Fernbedienung oder drücken Sie die Taste „Volume dial/Input selection“ (Lautstärkereglung/Eingangsregler) auf der Rückseite des Aktiv-Lautsprechers, bis die LED-Anzeige am Aktiv-Lautsprecher „BAL“ anzeigt.
3. Spielen Sie Musik auf dem verbundenen Gerät ab und stellen Sie die Lautstärke auf das gewünschte Niveau ein.

Line-in-Eingang



1. Schließen Sie die Audioquelle (Mobiltelefon, Tablet usw.) über ein 3,5-mm-RCA-Audiokabel oder ein RCA-RCA-Audiokabel an den Eingangsanschlüsse Line-In (Farbübereinstimmung beachten) des Aktiv-Lautsprechers an.
2. Drücken Sie die Taste „LINE/BAL“ auf der Fernbedienung oder drücken Sie die Taste „Volume dial/Input selection“ (Lautstärkereglung/Eingangsregler) auf der Rückseite des Aktiv-Lautsprechers, bis die LED-Anzeige am Aktiv-Lautsprecher „LINE“ anzeigt.
3. Spielen Sie Musik auf dem verbundenen Gerät ab und stellen Sie die Lautstärke auf das gewünschte Niveau ein.

Optischer und koaxialer Eingang

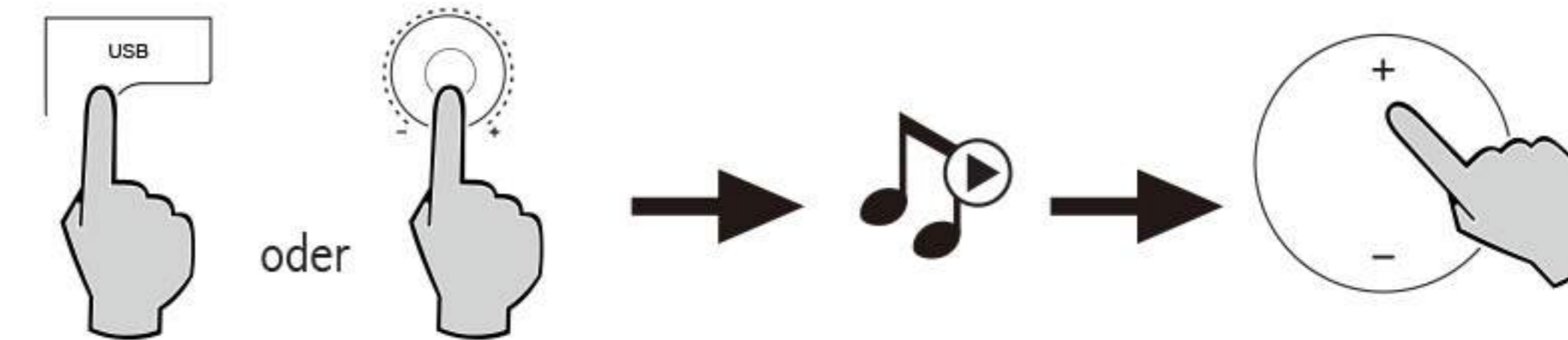


1. Schließen Sie die Audioquelle (Blu-Ray-Player, Set-Top-Box usw.) über das Glasfaser- oder Koaxial-Audiokabel (Koaxial-Kabel nicht inkl.) an den optischen oder koaxialen Eingang des Aktiv-Lautsprechers an.
2. Drücken Sie die Taste „OPT/COAX“ auf der Fernbedienung oder drücken Sie die Taste „Volume dial/Input selection“ (Lautstärkeregler/Eingangsregler) auf der Rückseite des Aktiv-Lautsprechers, bis das Anzeigefenster am Aktiv-Lautsprecher „OPT“ oder „COAX“ anzeigt.
3. Spielen Sie Musik auf dem verbundenen Gerät ab und stellen Sie die Lautstärke auf das gewünschte Niveau ein.

Hinweis:

Im optischen/koaxialen Modus funktionieren nur die üblichen PCM-Audiosignale (44,1KHz/48KHz/96KHz/192KHz).

USB-Digital-Audio-Eingang



Der USB-Schnittstellenchip im S3000 Pro ist ein XMOS-Chip, der von High-End-Audiogeräten verwendet wird. Nach dem Anschluss an den PC wird die USB-Schnittstelle das digitale Audiosignal ähnlich wie bei der „USB-externen Soundkarte“ direkt extrahieren und wiedergeben, um Klangverschlechterung und Dynamikkompensation durch die Digital-Analog-Umwandlung der PC-Soundkarte zu vermeiden und die Wiederherstellung der ursprünglichen Klangqualität sicherzustellen.

1. Bitte lesen Sie die Details auf Seite 67, um das Treiberprogramm herunterzuladen und zu installieren.
2. Verbinden Sie den USB-A-Anschluss am PC mit dem USB-B-Eingangsanschluss an der Rückseite des Aktiv-Lautsprechers über ein USB-A-zu-B-Datenkabel.
3. Drücken Sie die Taste „USB“ auf der Fernbedienung oder drücken Sie die Taste „Volume dial/Input selection“ (Lautstärkeregler/Eingangsregler) auf der Rückseite des Aktiv-Lautsprechers, bis die LED-Anzeige am Aktiv-Lautsprecher „USB“ anzeigt.
4. Spielen Sie Musik auf dem verbundenen Gerät ab und stellen Sie die Lautstärke auf das gewünschte Niveau ein.

USB-Digital-Audio-Eingang

Hinweis:


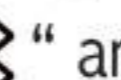
1. Standard-USB-Treiber für Audio unter dem Betriebssystem Windows 7/ Windows 10 unterstützt nur USB-Audio-Klasse 1, die den Audiostrom auf nur 2 PCM-Kanäle mit einer Höchstabtastrate von 96KHz begrenzt. Um PCM mit einer höheren Abtastrate zu unterstützen, ist die USB-Schnittstelle des S3000 Pro auf der USB-Audio-Klasse 2 aufgebaut, weshalb ein spezieller Treiber für die Verwendung mit Windows 7/ Windows 10 benötigt wird. Weitere Informationen finden Sie unter <https://www.edifier.com/cn/zh/speakers/S3000 Pro>.
2. Bitte haben Sie Verständnis dafür, dass das Betriebssystem Windows XP nicht mehr von Microsoft aktualisiert wird; Treibersoftware zum Arbeiten mit Windows XP ist nicht verfügbar. Während der Installation kann es zu einem Warnhinweis kommen. Bitte führen Sie die Installation Ihren Anforderungen entsprechend durch.
3. Der USB-Treiber unter Mac OS unterstützt standardmäßig USB-Audio-Klasse 1 und USB-Audio-Klasse 2. Daher ist keine spezielle Treibersoftware für den S3000 Pro zur Verwendung mit einem Mac-Computer erforderlich.
4. Weitere Informationen zur Treibersoftware finden Sie unter folgendem Link:
<https://www.xmos.com/support/usb-audio-driver-support>
5. Wenn Sie ein USB A-zu-B-Datenkabel kaufen müssen, können Sie es auf verschiedenen E-Commerce-Plattformen suchen und kaufen.
6. Im USB-Modus wird der PCM-Datenstrom mit verschiedenen Abtastraten unterstützt, einschließlich 44,1KHz/48KHz/96KHz/192KHz.

Hinweis:


Die Wiedergabe-Steuerung über den USB-Eingang gehört zur USB-HID-Steuerung. Diese Steuerung muss durch eine Player-Software unterstützt werden, es kann Kompatibilitätsunterschiede für unterschiedliche Audio-Player-Software geben.

Bluetooth-Eingang



1. Drücken Sie die Taste „“ auf der Fernbedienung oder drücken Sie die Taste „Volume dial/Input selection“ (Lautstärkereglern/Eingangsregler) auf der Rückseite des Aktiv-Lautsprechers, bis die LED-Anzeige am Aktiv-Lautsprecher „“ anzeigt.
2. Auf Ihrem Bluetooth-Gerät (Handy, Tablet etc.) nach „EDIFIER S3000 Pro“ suchen und die Verbindung herstellen.


Hinweis:

- * Die Bluetooth-Funktion am S3000 Pro kann nur im Bluetooth-Modus gesucht und verbunden werden. Die aktuelle Bluetooth-Verbindung wird getrennt, sobald der Lautsprecher zu anderen Audioeingängen geschaltet wurde. Wenn der Lautsprecher zurück in den Bluetooth-Modus geschaltet wird, versucht er sich mit dem zuletzt verbundenen Bluetooth-Audiogerät zu verbinden.
- * Der PIN-Code zur Verbindung, falls erforderlich, ist „0000“.
- * Zum Trennen der Bluetooth-Verbindung die „“-Taste auf der Fernbedienung gedrückt halten etwa 2 Sekunden.
- * Um den vollen Bluetooth-Funktionsumfang des Produkts zu genießen, stellen Sie bitte sicher, dass Ihr mobiles Gerät ein A2DP- und AVRCP-Profil unterstützt.
- * Die Bluetooth-Konnektivität und Kompatibilität kann zwischen verschiedenen Quellgeräten abhängig von den Software-Versionen der Quellgeräte variieren.
- * Der im Gerät integrierte Qualcomm® aptX™-Decoder sorgt für eine verbesserte Wireless-Datenübertragung bezüglich Klangqualität, verwenden Sie daher bitte das Qualcomm® aptX™-kompatible Gerät als Audioquelle.

Bluetooth-Funktion

Leistung:	R/L (Hochtöne): 8W+8W R/L (Mittel-und Tieftonbereich): 120W+120W
Frequenzgang:	38Hz~40KHz
Audioeingänge:	Line-in-/USB/optischer/koaxialer/Bluetooth-/Symmetrischer Eingang
Frequenzband:	2.402GHz ~ 2.480GHz
RF Ausgangsleistung:	≤ 20 dBm (EIRP)
Keine Nutzungseinschränkungen vorhanden.	

Fehlerbehebung

Problem	Lösung
Kein Ton	• Überprüfen Sie, ob die Stromanzeigeleuchte AN ist.
	• Versuchen Sie entweder über den Master-Lautstärkeregler oder die Fernbedienung die Lautstärke zu erhöhen.
	• Sorgen Sie dafür, dass die Audiokabel fest angeschlossen und die Eingabeeinstellungen des Lautsprechers korrekt eingestellt sind.
	• Überprüfen Sie, ob von der Audioquelle ein Signal gesendet wird.
Keine Verbindung über Bluetooth möglich	• Stellen Sie sicher, dass der Lautsprecher auf Bluetooth-Eingabe eingestellt ist. Wenn andere Audio-Eingänge aktiviert sind, wird keine Bluetooth-Verbindung hergestellt. Durch Drücken und Halten  im Bluetooth-Modus sowie erneutes Versuchen kann die Verbindung zu sämtlichen Bluetooth-Geräten unterbrochen werden.
	• Ein effektiver Bluetooth-Übertragungsbereich liegt bei ca. 10m; bitte halten Sie diesen Übertragungsbereich bei der Verwendung des Geräts ein.
	• Stellen Sie eine Verbindung zu einem anderen Bluetooth-Gerät her.
Der S3000 Pro lässt sich nicht einschalten	• Überprüfen Sie, ob das Gerät richtig an die Stromversorgung angeschlossen wurde und die Wandsteckdose eingeschaltet ist.

Um mehr über EDIFIER zu erfahren, besuchen Sie bitte www.edifier.com

Bei Fragen zu Garantieleistungen unserer Produkte gehen Sie bitte auf die entsprechende Webseite Ihres Landes unter www.edifier.com und schauen Sie im Abschnitt Garantiebestimmungen nach.

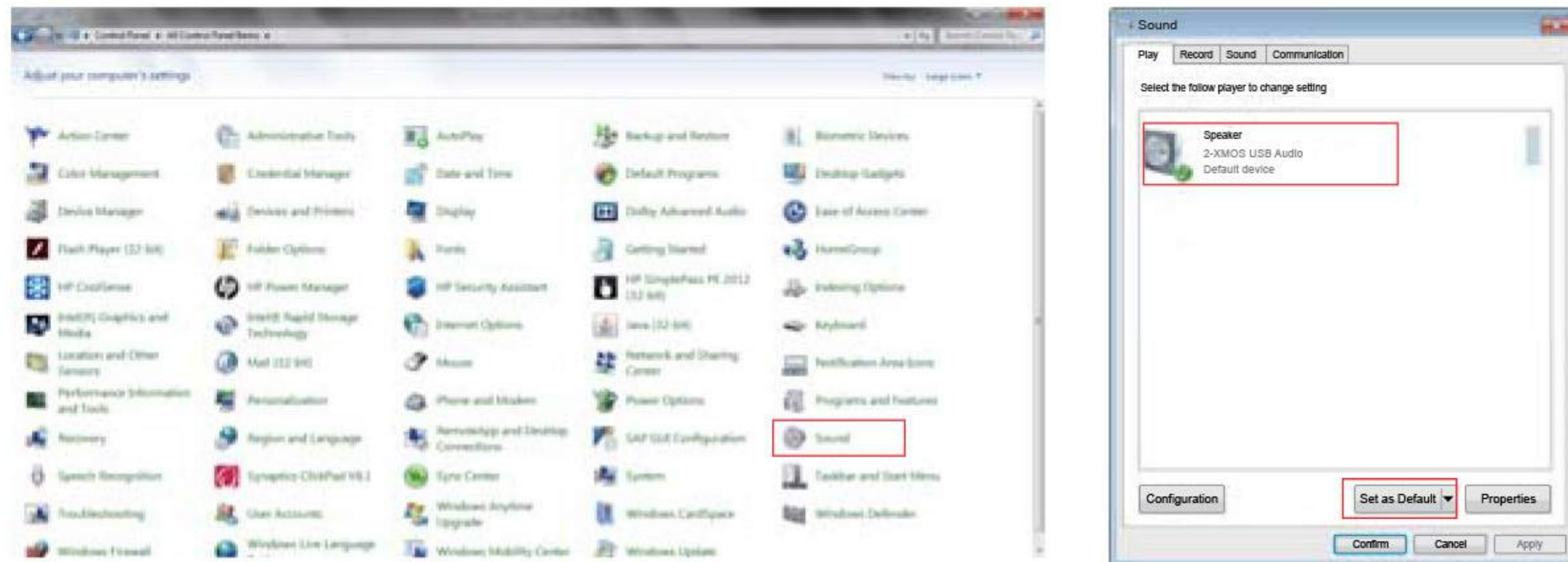
USA und Kanada: service@edifier.ca

Südamerika: Besuchen Sie für örtliche Kontaktinformationen bitte www.edifier.com (Englisch) oder www.edifierla.com (Spanisch/Portugiesisch).

Fehlerbehebung

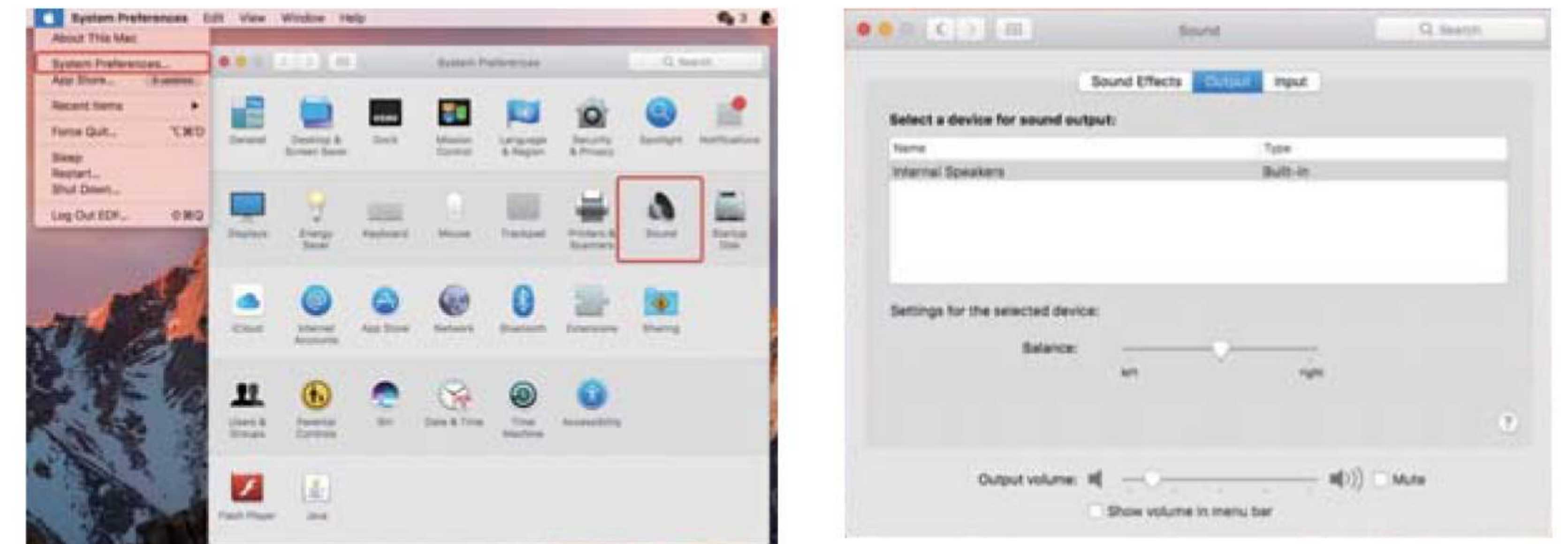
Wenn der Lautsprecher über ein USB-Audiokabel mit dem PC verbunden ist:

- Wenn der PC mit einem Windows-Betriebssystem arbeitet, stellen Sie bitte sicher, dass der spezielle S3000 Pro-USB-Treiber installiert wurde. Wenn dies nicht der Fall ist, laden Sie den Treiber bitte herunter und installieren ihn.
- Windows-Nutzer sollten den „Gerätemanager“ öffnen, um zu prüfen, ob das USB-Gerät als „EDIFIER S3000 Pro“ oder „XMOS-USB-Audio“-USB-Gerät aufgeführt ist. Andernfalls müssen Sie eventuell den speziellen S3000 Pro-USB-Treiber installieren oder den PC neu starten. Mac-Nutzer sollten die „Systemeinstellungen“ öffnen → den „Ton“, um zu prüfen, ob die das Audio-Ausgabegerät unter der Bezeichnung „EDIFIER S3000 Pro“ angezeigt wird.
- Stellen Sie bitte sicher, dass der Lautsprecher auf Audio-Ausgabegerät eingestellt wurde.
Für Windows-Benutzer: Bitte öffnen Sie „Systemsteuerung“ → „Ton“ → „Wiedergabe“ → „Als Standard festlegen“, um „XMOS-USB-Audio“ als aktuelles Audio-Ausgabegerät einzustellen.



Fehlerbehebung

Für Mac-Benutzer: Öffnen Sie bitte „Systemeinstellungen“ → „Ton“ → „Ausgang“, um „EDIFIER S3000 Pro“ als aktuelles Audio-Ausgabegerät auszuwählen.



Istruzioni importanti sulla sicurezza

1. Leggere attentamente le istruzioni. Conservarle in un luogo sicuro per riferimenti futuri.
2. Usare esclusivamente gli accessori approvati dal costruttore.
3. Installare lo strumento correttamente seguendo le istruzioni nella sezione connessione del dispositivo.
4. Si raccomanda di usare il dispositivo ad una temperatura ambiente di 0-35°C.
5. Per ridurre il rischio di incendio e scossa elettrica, non esporre il prodotto a pioggia o umidità.
6. Non usare questo prodotto vicino all'acqua. Non immergere il prodotto in liquidi né esporlo ad acqua o spruzzi.
7. Non installare o usare questo prodotto vicino a fonti di calore (ad es. termosifoni, radiatori, stufe o altri dispositivi che generano calore).
8. Non posizionare oggetti che contengono liquidi, come vasi, sul prodotto; non posizionare fiamme libere, come candele accese, sul prodotto.
9. Non bloccare le aperture di aerazione. Non inserire oggetti nelle aperture o nelle feritoie di aerazione. Ciò può causare incendi o scosse elettriche.
10. Tenere un'area di rispetto sufficiente intorno al prodotto per mantenere una buona ventilazione (minimo 5cm consigliato).
11. Non forzare la spina nel jack. Prima del collegamento, verificare che non ci siano blocchi nel jack e che la spina corrisponda al jack e sia orientata nella direzione corretta.
12. Tenere gli accessori e parti forniti (come le viti) lontano dai bambini affinché non possano essere ingoiate per errore.
13. Non aprire o rimuovere l'alloggiamento da soli. Questo può esporvi a tensioni pericolose o ad altri pericoli. Indipendentemente dalla causa del danno (ad esempio un cavo o una spina danneggiati, l'esposizione a schizzi di liquido o corpi estranei che cadono all'interno, l'esposizione a pioggia o umidità, un prodotto che non funziona o è stato fatto cadere, ecc.), la riparazione deve essere effettuata immediatamente da un tecnico professionista autorizzato.
14. Prima di pulire il prodotto con un panno asciutto, spegnere sempre prima il prodotto e scollegare la spina di alimentazione.
15. Non usare mai acidi forti, alcali, benzina, alcol o altri solventi chimici per pulire la superficie del prodotto. Usare esclusivamente solventi neutri o acqua pulita per la pulizia.



La musica eccessivamente alta può portare a perdita dell'udito. Tener il volume ad un livello sicuro.



Il corretto smaltimento di questo prodotto. Questo simbolo indica che questo prodotto non deve essere smaltito insieme agli altri rifiuti domestici in tutta la UE. Per prevenire possibili danni all'ambiente o alla salute umana a causa dello smaltimento incontrollato dei rifiuti, riciclarla responsabilmente per promuovere il riuso delle risorse materiali. Per restituire il vostro dispositivo usato, servirsi dei sistemi di smaltimento e di raccolta o contattare il rivenditore dove il prodotto è stato acquistato. Loro possono ritirare questo prodotto per un riciclaggio ecologicamente sicuro.



Utilizzare solo con carrello, supporto, treppiedi, staffa o tavola come specificata dal produttore o venduta con l'apparecchio. Quando si utilizza un carrello, fare attenzione quando si sposta il carrello/l'apparecchio insieme per evitare il pericolo di ribaltamento.

Istruzioni importanti sulla sicurezza

Avvertenza sull'alimentazione:

1. Posizionare il prodotto vicino alla presa elettrica per agevolarne l'uso.
2. Prima dell'uso, assicurarsi che la tensione di esercizio sia uguale all'alimentazione elettrica locale. Si può trovare la corretta tensione di esercizio sulla targhetta del prodotto.
3. Per motivi di sicurezza, scollegare il prodotto durante i temporali o quando non viene utilizzato per lunghi periodi di tempo.
4. In condizioni normali l'alimentatore può riscaldarsi. Mantenere una buona ventilazione nell'area a prestare attenzione.
5. Etichette di avvertenza per la sicurezza sull'alloggiamento o sulla base del prodotto o sull'adattatore di alimentazione.



Questo simbolo avverte l'utente della presenza di tensioni pericolose non isolate all'interno dell'involucro del prodotto che potrebbero essere di grandezza sufficiente da costituire un pericolo di scosse elettriche per le persone.



Questo simbolo avverte l'utente di non smontare l'involucro del prodotto e che non vi sono parti sostituibili dall'utente all'interno. Portare il prodotto presso un centro di assistenza autorizzato per la riparazione.



Questo simbolo indica che il prodotto è destinato esclusivamente all'uso in ambienti interni.



Questo simbolo indica che si tratta di un prodotto di CLASSE II o di un dispositivo elettrico a doppio isolamento che non necessita di messa a terra.

La spina principale o il connettore apparecchio è utilizzato per scollegare l'apparecchio, l'apparecchio scollegato deve rimanere pronto per funzionare.

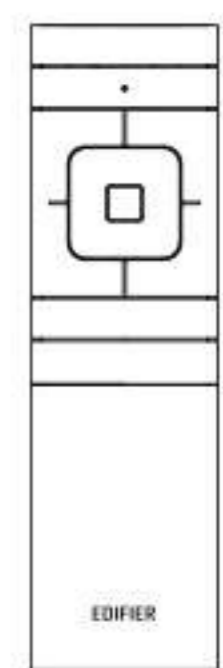
Prodotti wireless:

1. I prodotti wireless possono generare radiofrequenze a onde corte ed interferire con il normale uso di altri dispositivi elettronici o apparecchiature mediche.
2. Spegnere il prodotto quando non è consentito. Non usare il prodotto in strutture mediche, in aereo, presso i distributori di benzina, vicino a cancelli automatici, sistemi di allarme anti-incendio automatici o altri dispositivi automatici.
3. Non usare il prodotto in prossimità di pacemaker entro una distanza di 20cm. Le onde radio possono influire sul normale funzionamento del pacemaker o di altri dispositivi medici.

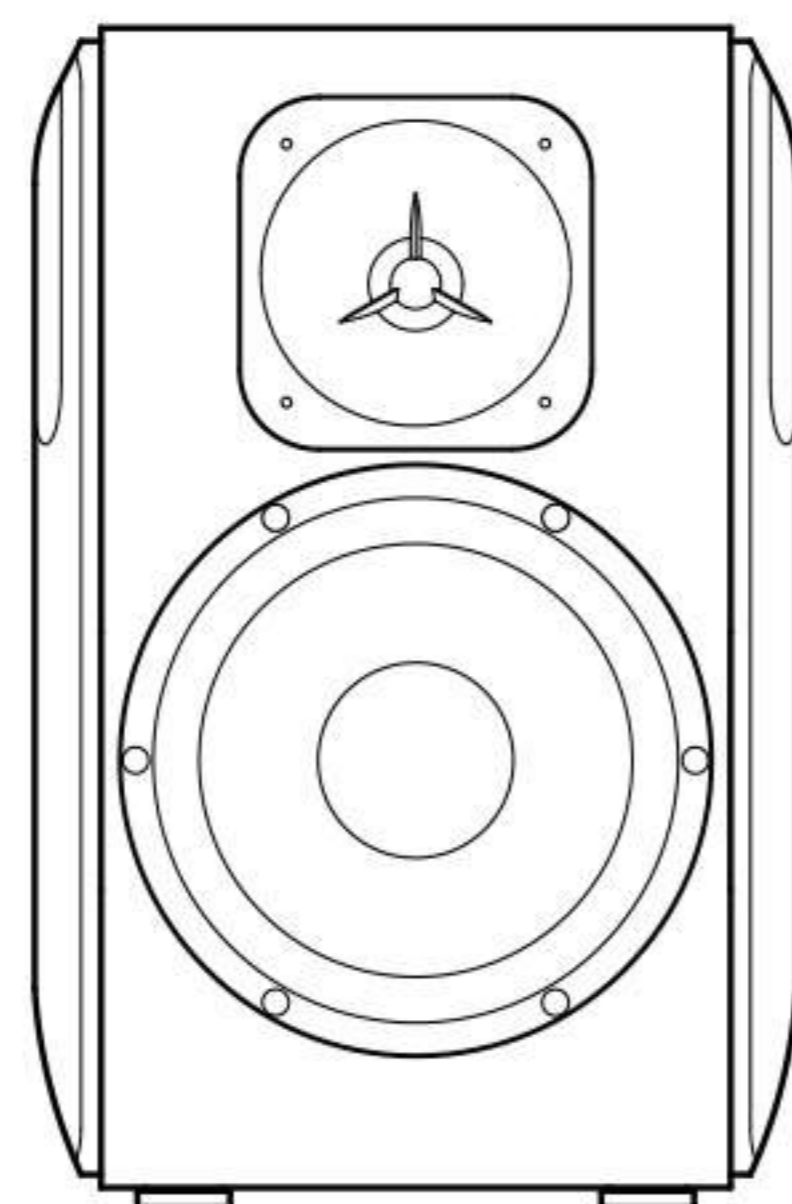
Contenuto della confezione



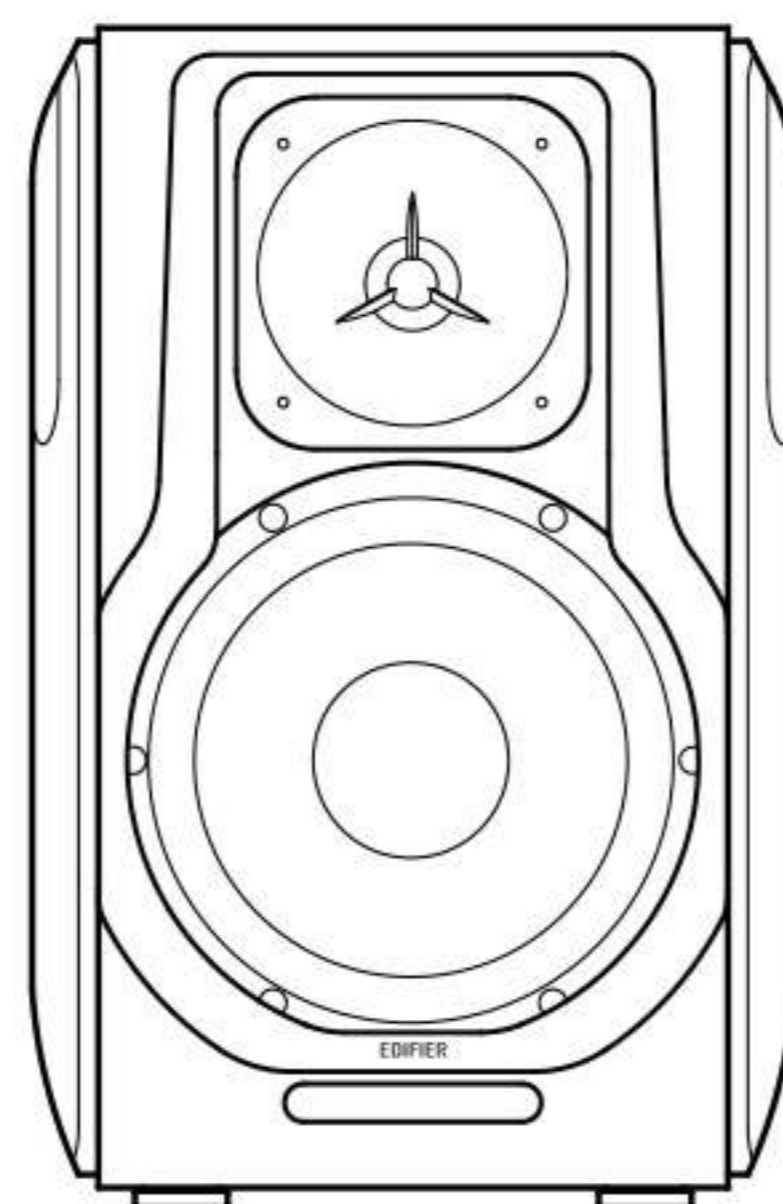
Manuale dell'utente



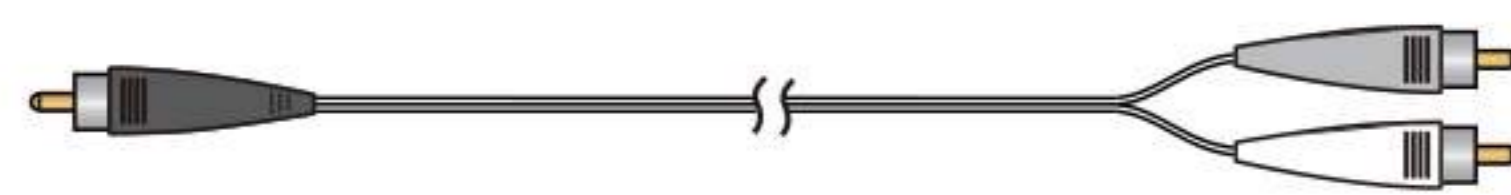
Telecomando



Altoparlante passivo (L)



Altoparlante attivo (R)



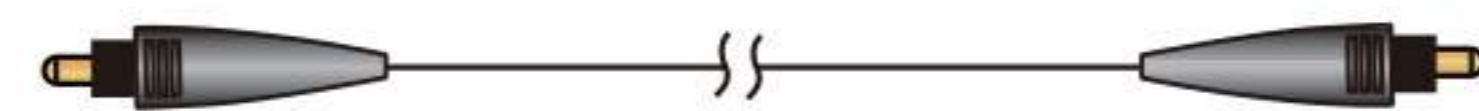
Cavo audio RCA da 3,5 mm



Cavo dati USB da A a B



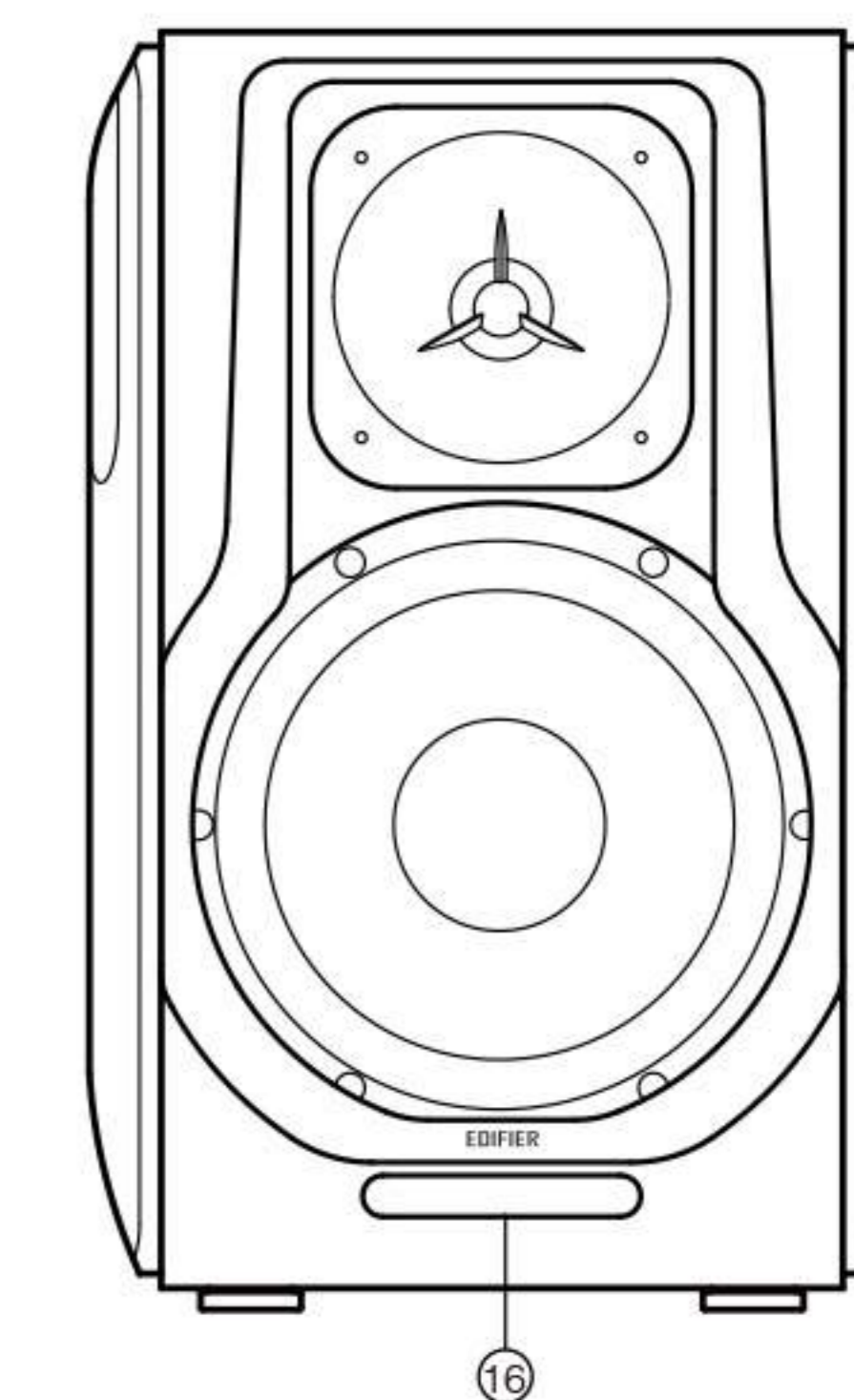
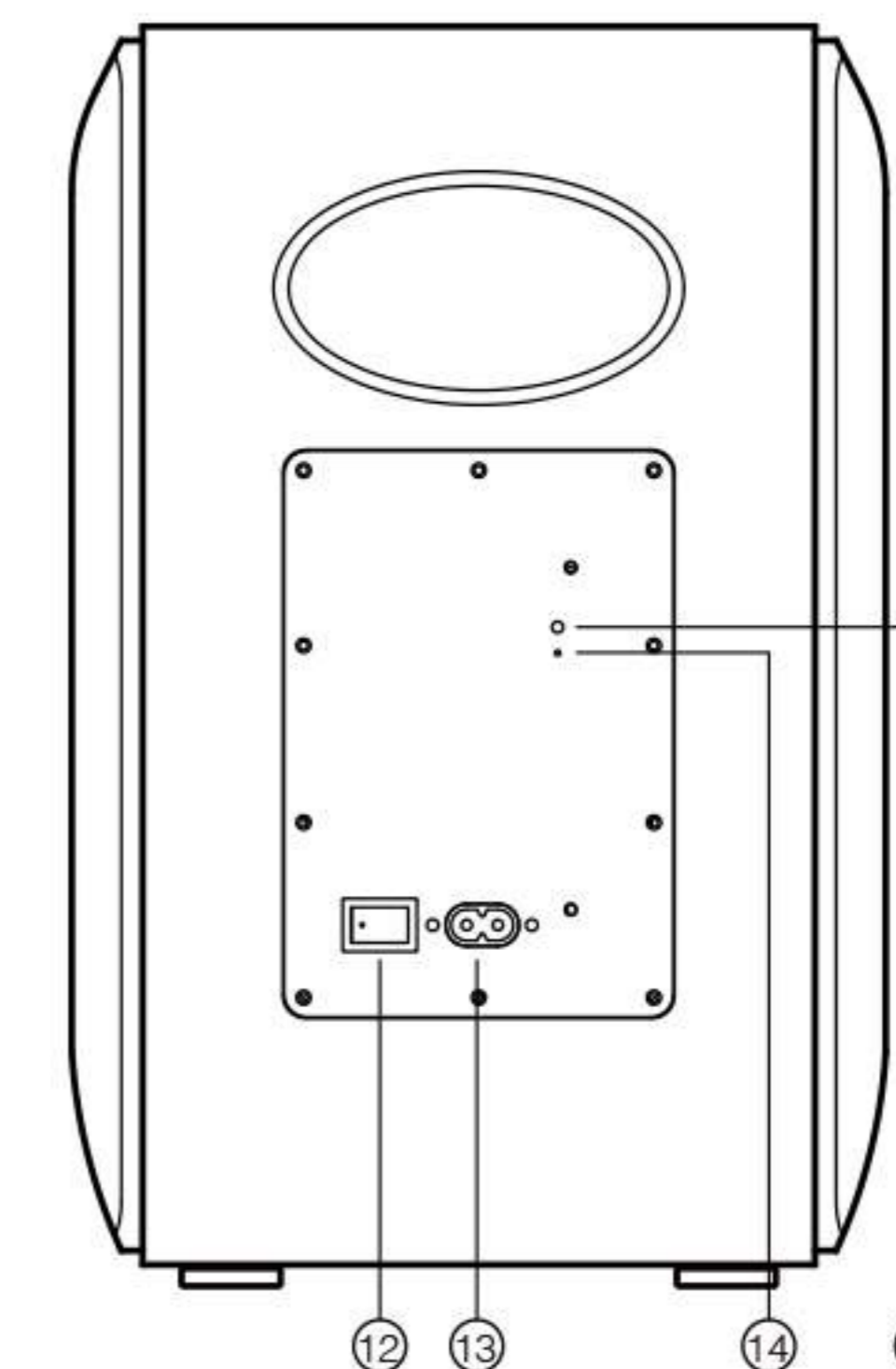
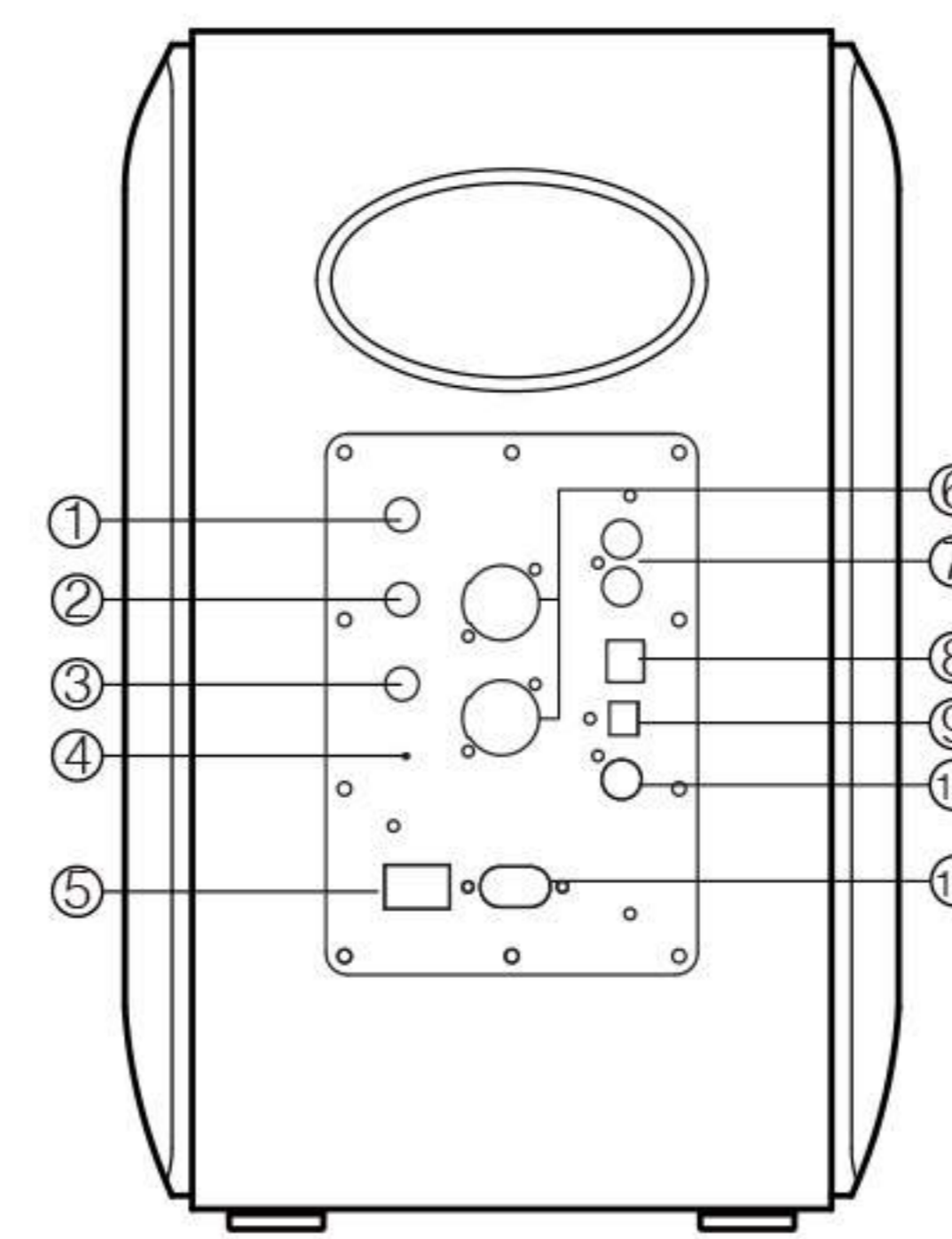
Cavo audio da RCA a RCA

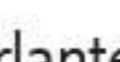


Cavo ingresso fibra ottica



Cavo di alimentazione x 2



1. Manopola del volume/Selezione ingresso ("Fare clic" per scegliere tra gli ingressi LINE→BAL→OPT→COAX→USB→)
2. Controllo treble
3. Controllo bass
4. Pulsante di associazione dell'altoparlante passivo
5. Pulsante di accensione
6. Ingresso bilanciato
7. Ingresso line in
8. Ingresso audio digitale USB
9. Ingresso ottico
10. Ingresso coassiale
11. Connettore del cavo di alimentazione
12. Pulsante di accensione


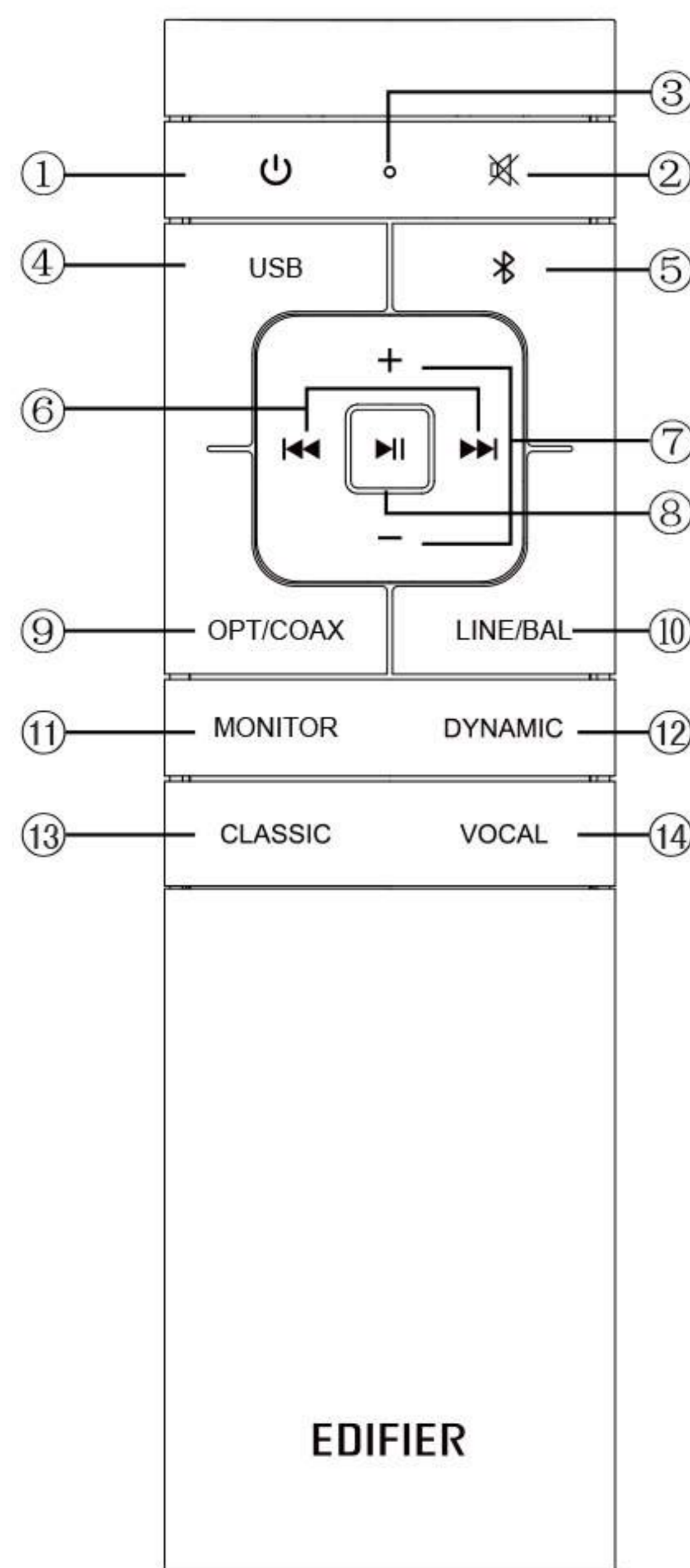
13. Connettore del cavo di alimentazione
14. Pulsante di associazione dell'altoparlante
15. Indicatore di stato
16. Finestra display
 - a. Visualizzazione della sorgente audio corrente:
LINE→BAL→OPT→COAX→USB→
 - b. Selezione modalità:
(MONITOR) la modalità monitor è attiva:
La spia LED lampeggia una volta
(DYNAMIC) la modalità dinamica è attiva:
La spia LED lampeggia due volte
(CLASSIC) la modalità classica è attiva:
La spia LED lampeggia tre volte
(VOCAL) la modalità vocale è attiva:
La spia LED lampeggia quattro volte

Illustrazione del telecomando

Puntare il telecomando verso la finestrella di ricezione remota dell'altoparlante, la distanza operativa ottimale è entro 7 metri.



1. Accensione/spengimento
2. Muto
3. Indicatore telecomando
4. Ingresso USB
5. Ingresso Bluetooth
(premere e tenere premuto per disconnettere il Bluetooth)
6. Brano precedente/successivo
(Solo per le modalità audio Bluetooth/USB)
7. Aumento/diminuzione volume
8. Play/pausa (Solo per le modalità audio Bluetooth/USB)
9. Ingresso ottico/coassiale
10. Ingresso line in/bilanciato
11. Modalità monitor
12. Modalità dinamica
13. Modalità classica
14. Modalità vocale

Quattro modalità:

Modalità MONITOR: presenta una curva di risposta audio piatta, per un suono senza colorazione.

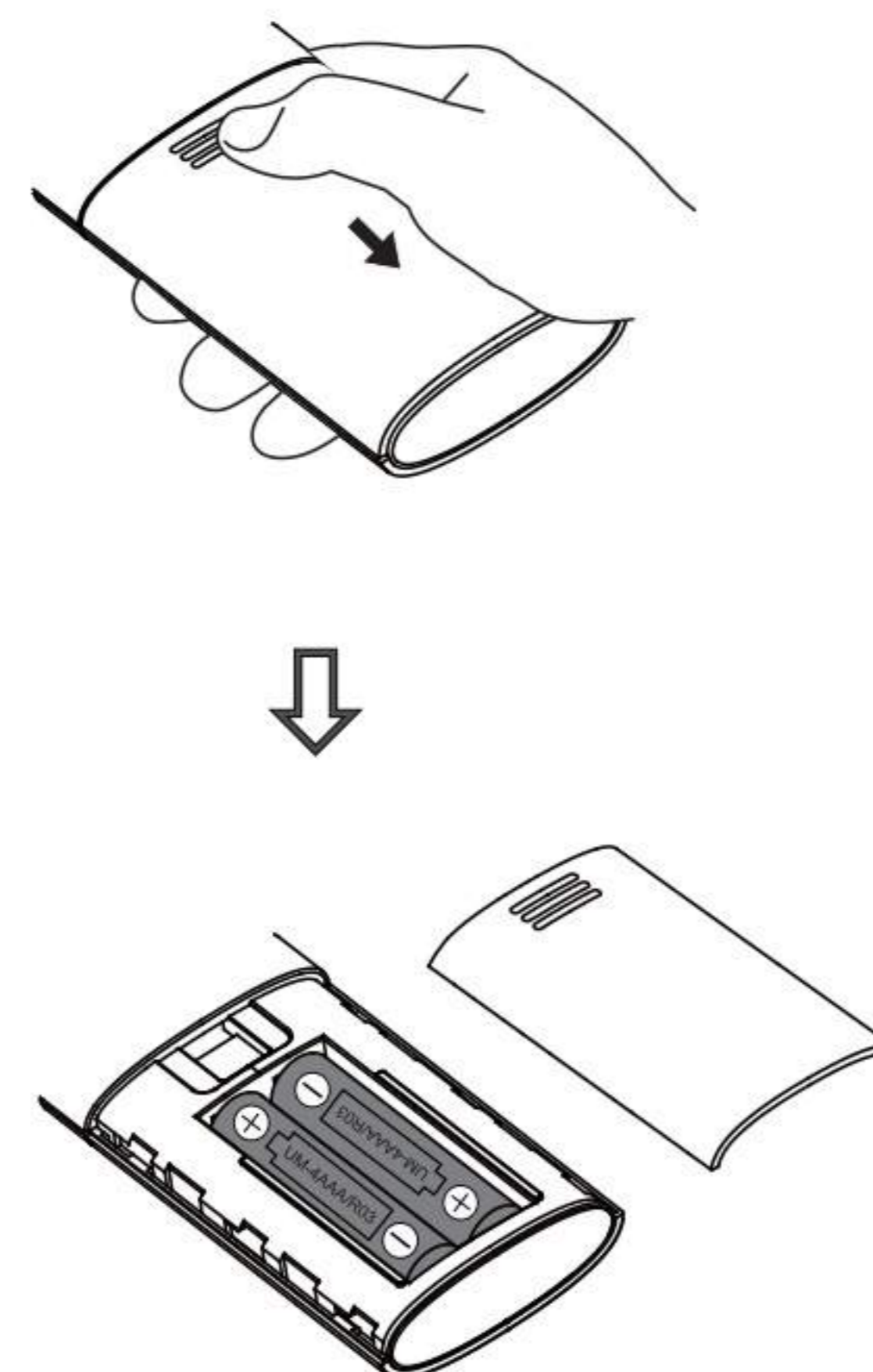
Modalità DYNAMIC: più energica, più dinamica.

Modalità CLASSIC: riproduce il suono di un HIFI classico.

Modalità VOCAL: enfatizza la voce umana, la posizione del cantante è più vicina all'ascoltatore.

Nota: Dopo essere stato spento/acceso o quando si cambia la sorgente audio, l'altoparlante ritorna alla modalità CLASSIC (CLASSICA) per impostazione predefinita, impostare manualmente le altre modalità tramite il telecomando.

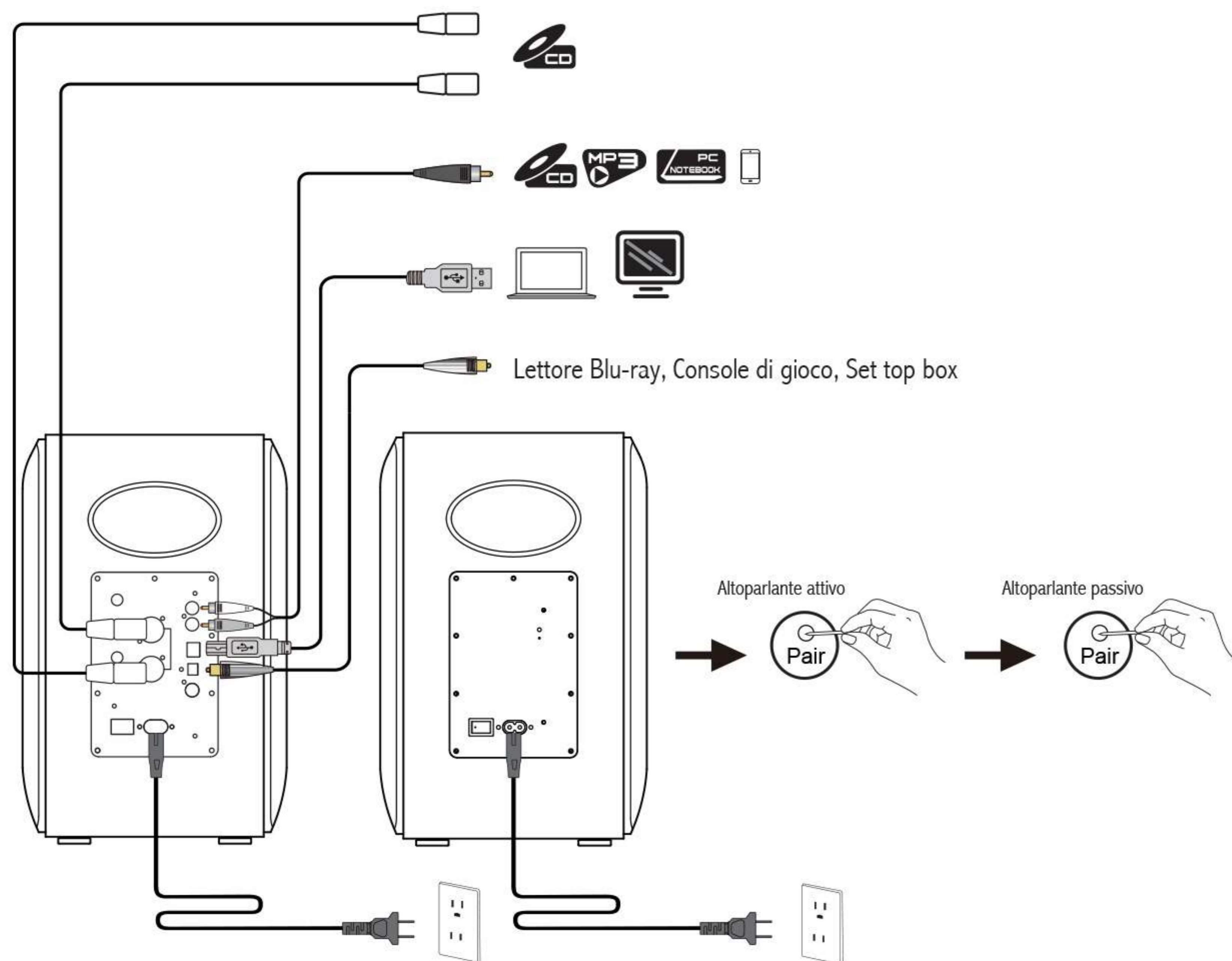
Illustrazione del telecomando



1. Come mostrato nell'illustrazione, premere verso il basso il coperchio del vano batterie del telecomando con il pollice e seguire la direzione indicata dalla freccia per rimuoverlo, quindi inserire due batterie AAA (osservare i poli "+" e "-") nel telecomando.
2. La durata della batteria è normalmente di circa 6 mesi; sostituirla quando il telecomando non risponde ai comandi oppure la distanza del telecomando deve essere ridotta.
3. Non usare mai le batterie vecchie insieme a quelle nuove.

Nota:

1. Non posizionare il telecomando in luoghi caldi ed umidi.
2. Non caricare le batterie.
3. Rimuovere le batterie se inutilizzate per un lungo periodo di tempo per evitare perdite.
4. La batteria non dovrebbe essere esposta ad eccessivo calore come la luce del sole diretta, fuoco o simili.
5. Se la batteria non è sostituita correttamente vi è il pericolo di esplosione. Sostituire esclusivamente con batterie dello stesso tipo o equivalenti.



1. Come mostra l'illustrazione, connettersi alla sorgente audio usando il cavo audio corrispondente.
2. Collegare gli altoparlanti alla sorgente di alimentazione utilizzando cavi di alimentazione e accendere l'interruttore di alimentazione, gli altoparlanti devono essere pronti al funzionamento, la spia LED sull'altoparlante attivo visualizzerà la sorgente audio corrente.

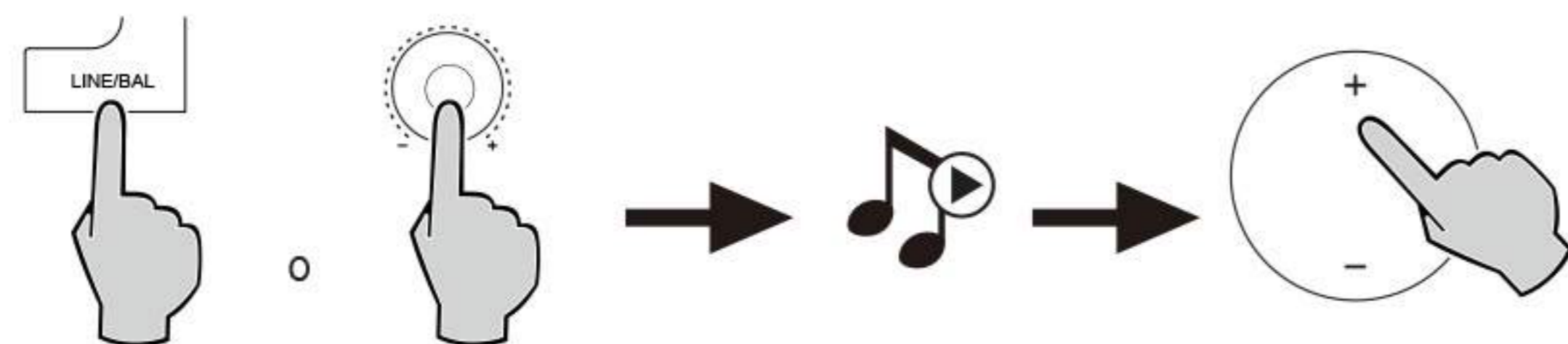
l'altoparlante attivo (R) e l'altoparlante passivo (L) siano stati associati in fabbrica. La connessione wireless riprenderà automaticamente quando entrambi gli altoparlanti vengono accesi e la spia rossa sull'altoparlante passivo è accesa. Se la connessione wireless non viene ripristinata, eseguire nuovamente le operazioni di associazione riportate di seguito.

1. Accendere l'altoparlante attivo, quindi premere e tenere premuto il pulsante "Pair" (Associa) sul pannello posteriore dell'altoparlante attivo (R); la spia LED della modalità corrente sul display lampeggerà rapidamente;
2. Premere e tenere premuto il pulsante "Pair" (Associa) sul pannello posteriore del diffusore passivo (L), la spia rossa sull'altoparlante passivo (L) lampeggerà rapidamente.
3. Attendere finché la spia rossa sull'altoparlante passivo (L) non rimane acceso in maniera costante. A questo punto l'associazione è stata completata e viene stabilita una connessione wireless.

Nota:

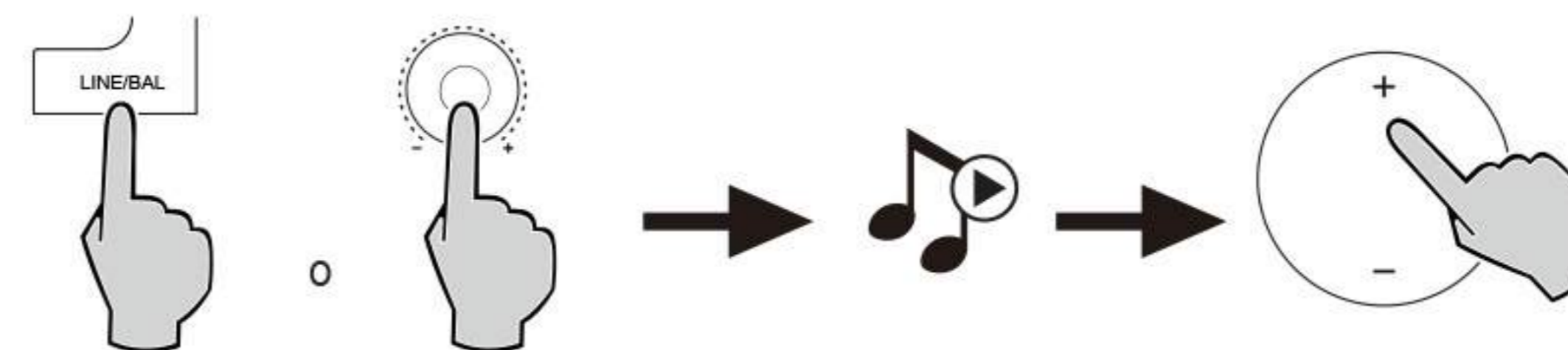
Se la spia rossa sull'altoparlante passivo (L) lampeggia lentamente, indica che non vi è alcun collegamento o che il collegamento non ha avuto esito positivo, ripetere i passaggi precedenti.

Ingresso bilanciato



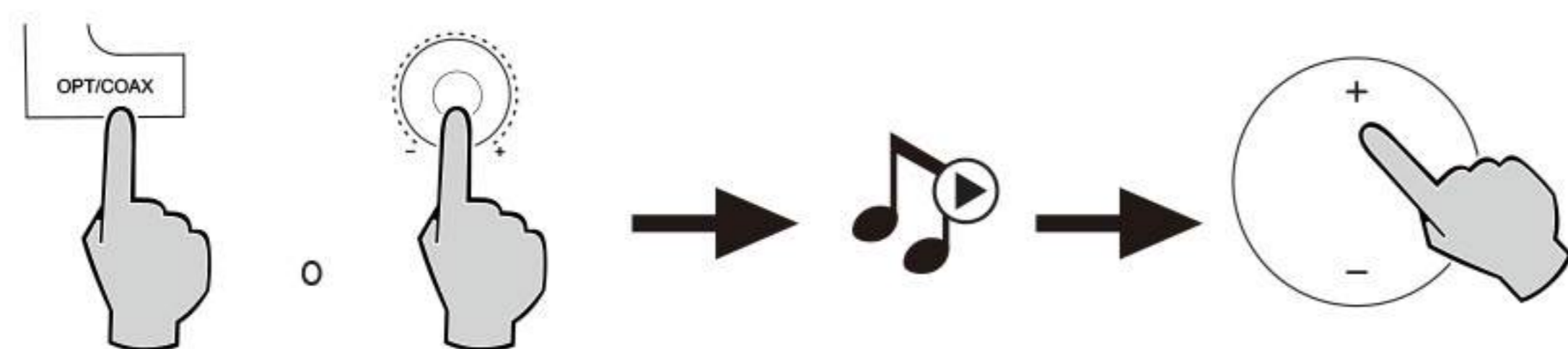
1. Collegare la sorgente audio (lettore CD, decoder, ecc.) alla porta di ingresso bilanciata sul pannello posteriore dell'altoparlante attivo utilizzando un cavo audio bilanciato XLR (cavo XLR non incluso).
2. Premere il pulsante “LINE/BAL” sul telecomando, oppure premere il selettore “Volume dial/Input selection” (Manopola del volume/Selezione ingresso) sul pannello posteriore dell'altoparlante attivo fino a quando l'indicatore LED sull'altoparlante attivo non visualizza “BAL”.
3. Riprodurre la musica e regolare il volume ad un livello confortevole.

Ingresso Line in



1. Collegare la sorgente audio (telefono cellulare, tablet, ecc.) alla porta di ingresso Line in (notare la corrispondenza dei colori) sul pannello posteriore dell'altoparlante attivo utilizzando un cavo audio RCA da 3,5 mm o un cavo audio RCA-RCA.
2. Premere il pulsante “LINE/BAL” sul telecomando, oppure premere il selettore “Volume dial/Input selection” (Manopola del volume/Selezione ingresso) sul pannello posteriore dell'altoparlante attivo fino a quando l'indicatore LED sull'altoparlante attivo non visualizza “LINE”.
3. Riprodurre la musica e regolare il volume ad un livello confortevole.

Ingresso ottico/coassiale

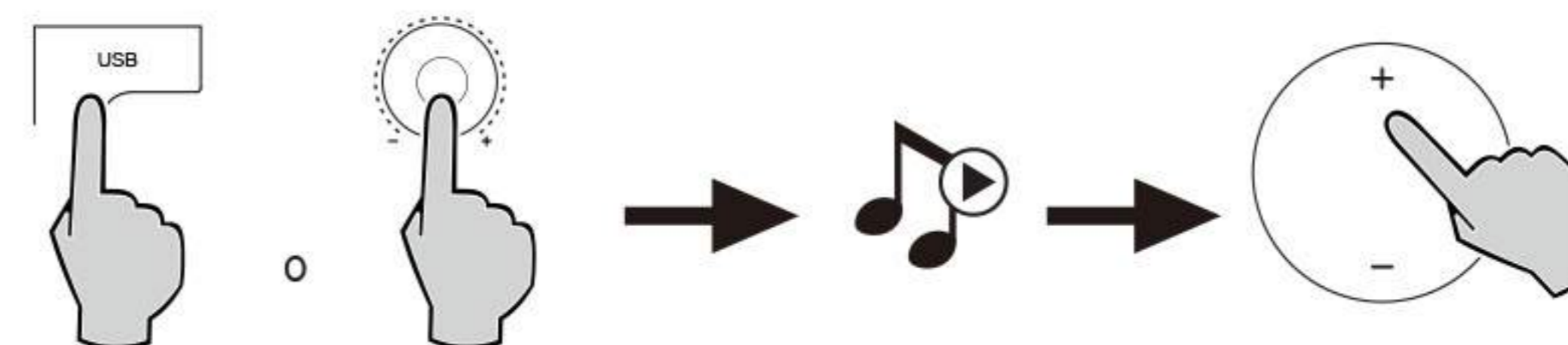


1. Collegare la sorgente audio (lettore Blu-ray, Set top box, ecc.) alla porta di ingresso ottica o coassiale sul pannello posteriore dell'altoparlante attivo utilizzando un cavo audio in fibra ottica o un cavo coassiale (cavo coassiale non incluso).
2. Premere il pulsante “OPT/COAX” sul telecomando, oppure premere il selettore “Volume dial/Input selection” (Manopola del volume/Selezione ingresso) sul pannello posteriore dell'altoparlante attivo fino a quando la finestra di visualizzazione sull'altoparlante attivo non visualizza “OPT” o “COAX”.
3. Riprodurre la musica e regolare il volume ad un livello confortevole.

Nota:

Solo i segnali audio standard PCM (44,1KHz/48KHz/96KHz/192KHz) funzionano in modalità ottica/coassiale.

Ingresso audio digitale USB



Il chip di interfaccia USB dell'S3000 Pro è un chip XMOS utilizzato da apparecchiature audio di fascia alta. Dopo essere stata collegata al PC, l'interfaccia USB estrae e riproduce direttamente il segnale audio digitale in modo simile alla “scheda audio esterna USB”, per evitare il degrado del suono e la compressione della gamma dinamica causata dalla conversione digitale-analogica della scheda audio PC e per garantire il ripristino della qualità del suono originale.

1. Per scaricare e installare il programma dei driver, fare riferimento ai dettagli a pagina 85.
2. Collegare la porta USB tipo A del PC alla porta di ingresso USB tipo B sul pannello posteriore dell'altoparlante attivo utilizzando il cavo dati USB da A a B.
3. Premere il pulsante “USB” sul telecomando, oppure premere il selettore “Volume dial/Input selection” (Manopola del volume/Selezione ingresso) sul pannello posteriore dell'altoparlante attivo fino a quando l'indicatore LED sull'altoparlante attivo non visualizza “USB”.
4. Riprodurre la musica e regolare il volume ad un livello confortevole.

Ingresso audio digitale USB

Nota:

1. USB driver di default per l'audio, il Windows 7/ Windows 10 sistema operativo Windows supporta solo USB Audio Class 1, che limita il flusso audio a solo 2 canali PCM con la più alta frequenza di campionamento di 96KHz. Per supportare PCM con una frequenza di campionamento più elevata, l'interfaccia USB dell'S3000 Pro è costruita su USB Audio Class 2, quindi è necessario un driver specifico per l'utilizzo con Windows 7/ Windows 10. Per maggiori dettagli fare riferimento all'indirizzo web <https://www.edifier.com/cn/zh/speakers/S3000 Pro>.
2. Tenere presente che il sistema operativo Windows XP non è più gestito da Microsoft, il software del driver per funzionare con Windows XP non è disponibile. Durante l'installazione potrebbe essere presente un'avvertenza sul possibile rischio, installare secondo le proprie esigenze.
3. Il driver USB nel Mac OS supporta USB Audio Class 1 e USB Audio Class 2 per impostazione predefinita, pertanto non è necessario alcun software driver dedicato per l'utilizzo di S3000 Pro con il computer Mac.
4. Per maggiori informazioni relative al software dei driver, si prega di accedere al link seguente: <https://www.xmos.com/support/usb-audio-driver-support>
5. Se si ha bisogno di acquistare il cavo dati USB da A a B, è possibile cercare e acquistare su varie piattaforme di e-commerce.
6. In modalità USB, viene supportata la trasmissione PCM con diverse frequenze di campionamento, tra cui 44,1KHz/ 48KHz/96KHz/192KHz.


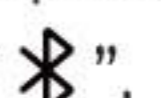
Nota:

il controllo della riproduzione sotto l'ingresso USB appartiene al controllo USB HID, E quindi possono esserci delle differenze di compatibilità per diversi software di riproduzione audio.

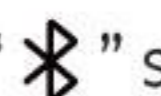
Ingresso Bluetooth

Bluetooth®



1. Premere il pulsante “” sul telecomando, oppure premere il selettore “Volume dial/Input selection” (Manopola del volume/Selezione ingresso) sul pannello posteriore dell'altoparlante attivo fino a quando l'indicatore LED sull'altoparlante attivo non visualizza “”.
2. Configurare il proprio dispositivo Bluetooth (telefono cellulare, tablet ecc.) per effettuare la ricerca e selezionare “EDIFIER S3000 Pro”.


Nota:

- * La funzione Bluetooth S3000 Pro può essere cercata e connessa solo in modalità Bluetooth. La connessione Bluetooth corrente verrà disattivata quando l'altoparlante passa ad altri ingressi audio. Quando si è di nuovo in modalità Bluetooth, l'altoparlante proverà a collegarsi all'ultimo dispositivo sorgente audio Bluetooth collegato.
- * Il codice PIN per il collegamento è “0000” se necessario.
- * Per scollegare il Bluetooth, tenere premuto il pulsante “” sul telecomando per circa 2 secondi.
- * Per godere delle funzioni Bluetooth complete di questo prodotto, assicurarsi che il dispositivo mobile supporti i profili A2DP e AVRCP.
- * La connettività e la compatibilità Bluetooth possono essere diverse tra vari dispositivi sorgente, in base alle versioni software dei dispositivi sorgente.
- * Il decoder Qualcomm® aptX™ incorporato nel prodotto aiuta ad ottenere una migliore qualità della trasmissione del suono wireless; perciò usare come sorgente audio un dispositivo che supporti Qualcomm® aptX™.

Specifiche

Potenza di uscita:	R/L (Alti): 8W+8W R/L (Gamma media e bassi): 120W+120W
Risposta in frequenza:	38Hz~40KHz
Ingresso audio:	Ingresso linea/USB/Ottico/Coassiale/Bluetooth/ingresso Bilanciato
Frequenza di banda:	2.402GHz ~ 2.480GHz
Potenza di uscita RF:	≤ 20 dBm (EIRP)
Non vi sono restrizioni d'uso.	

Risoluzione dei problemi

Problema	Soluzione
Nessun suono	• Verificare che la spia di accensione sia ACCESA.
	• Provare ad attivare il volume usando il controllo del volume principale o il telecomando.
	• Assicurarsi che i cavi audio siano ben collegati e che l'ingresso sia impostato correttamente sugli altoparlanti.
	• Verificare che vi sia un segnale in uscita dalla sorgente audio.
Impossibile collegarsi tramite Bluetooth	• Assicurarsi che l'altoparlante sia impostato sull'ingresso Bluetooth. Se è in altre modalità audio il Bluetooth non si collegherà. Scollegare da qualsiasi dispositivo Bluetooth premendo e tenendo premuta  in modalità Bluetooth e riprovare.
	• La portata effettiva della trasmissione Bluetooth è 10 metri; assicurarsi che l'uso sia entro questo intervallo.
	• Provare a collegare un altro dispositivo Bluetooth.
L' S3000 Pro non si accende	• Verificare che l'alimentazione elettrica sia collegata o se la presa a muro è accesa.

Per sapere di più su EDIFIER, visitare il sito www.edifier.com

Per domande sulla garanzia Edifier, visitare la relativa pagina del paese sul sito www.edifier.com e consultare la sezione intitolata Condizioni di garanzia.

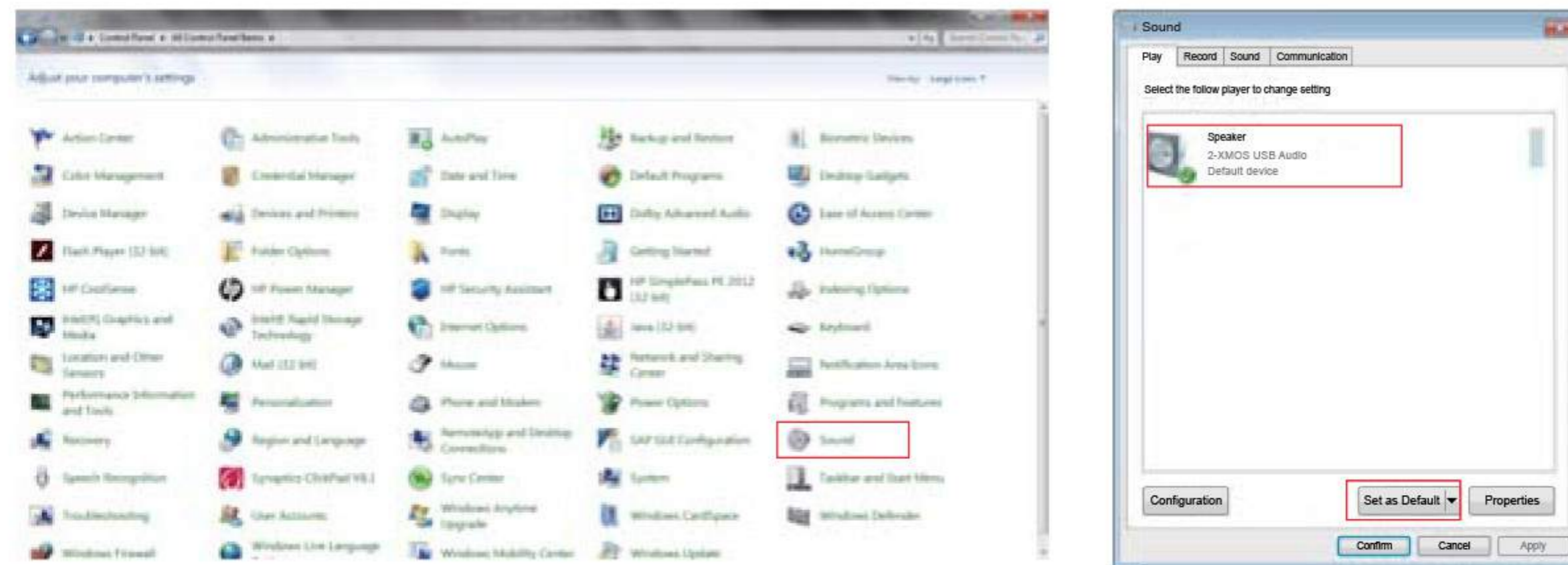
USA e Canada: service@edifier.ca

Sud America: Visitare il sito www.edifier.com (inglese) o www.edifierla.com (spagnolo/portoghese) per informazioni locali di contatto.

Risoluzione dei problemi

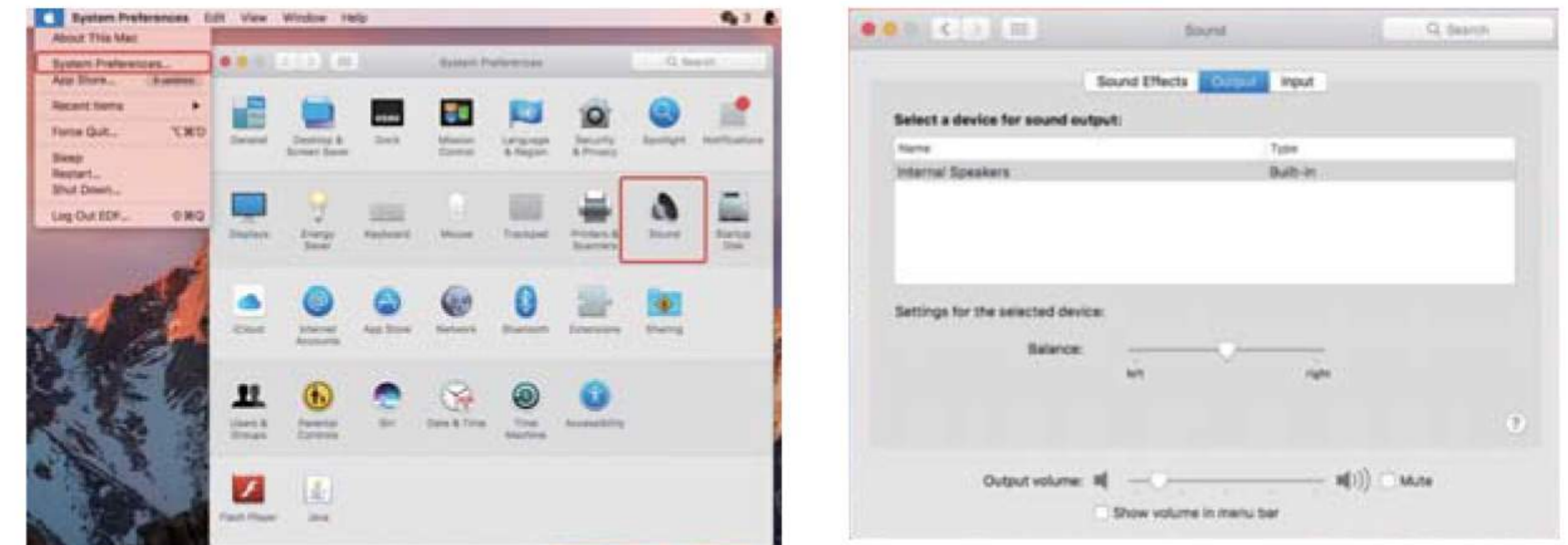
Se l'altoparlante è collegato al PC tramite un cavo audio USB:

- Se il PC utilizza il sistema operativo Windows, verificare che sia stato installato l'apposito USB per l'S3000 Pro; in caso contrario, scaricare e installare il driver.
- Per gli utenti Windows, aprire "Gestione periferiche" per verificare se è presente un dispositivo USB elencato come "EDIFIER S3000 Pro" o "XMOS USB Audio"; in caso contrario, potrebbe essere necessario installare il programma apposito del driver USB dell'S3000 Pro o riavviare il PC. Per gli utenti Mac, aprire "Preferenze di sistema" → scheda "Audio" per verificare se è presente un dispositivo di uscita audio elencato come "EDIFIER S3000 Pro".
- Si prega di verificare se l'altoparlante è impostato su un dispositivo di uscita audio.
Per gli utenti Windows, aprire "Pannello di controllo" → "Audio" → "Riproduzione" → scheda "Imposta come predefinito" per impostare "XMOS USB Audio" come dispositivo di uscita audio corrente.



Risoluzione dei problemi

Per gli utenti Mac, aprire "Preferenze di sistema" → "Audio" → scheda "Uscita" per selezionare "EDIFIER S3000 Pro" come dispositivo di uscita audio corrente.



Instruções de segurança importantes

1. Por favor, leia as instruções com atenção. Guarde-as num local seguro para referência futura.
2. Use apenas acessórios aprovados pelo fabricante.
3. Instale o instrumento corretamente seguindo as instruções na secção de ligação do dispositivo.
4. Recomenda-se a utilização do produto num ambiente de 0-35°C.
5. Para reduzir o risco de incêndio e choque elétrico, não exponha o produto à chuva nem à humidade.
6. Não use este produto perto da água. Não mergulhe o produto em nenhum líquido nem o exponha a gotas ou salpicos.
7. Não instale nem use este produto perto de nenhuma fonte de calor (por ex., aquecedores, fornos, radiadores ou outros dispositivos que gerem calor).
8. Não coloque nenhum objeto com líquido, como copos, sobre o produto; nem coloque chamas nuas, como velas acesas sobre o produto.
9. Não bloqueie nenhuma abertura de ventilação. Não insira nenhum objeto nas aberturas de ventilação ou ranhuras.
10. Poderá causar um incêndio ou choque elétrico. Mantenha um espaço suficiente à volta do produto para manter uma boa ventilação (mínimo de 5cm recomendado).
11. Não force uma ficha na tomada. Antes de ligar, verifique se a tomada está bloqueada e se a ficha corresponde à tomada e se está orientada para a direção correta.
12. Mantenha os acessórios e peças fornecidos (como parafusos) longe das crianças, para evitar que sejam ingeridos pelas mesmas, por engano.
13. Não abra nem remova a estrutura. Poderá ficar exposto a tensão perigosa ou a outros riscos perigosos. Independentemente da causa dos danos (tais como, danos no cabo ou ficha, exposição a salpicos ou queda de objetos estranhos no produto, exposição à chuva ou humidade, não funcionamento ou queda do produto, etc.), a reparação terá de ser executada imediatamente por um profissional de reparação autorizado.
14. Antes de limpar o produto com um pano seco, desligue-o sempre e retire a ficha da tomada primeiro.
15. Nunca use ácido forte, álcali, gasolina, álcool ou outros solventes químicos para limpar a superfície do produto. Use apenas solventes neutros ou água limpa para limpar.



A música excessivamente alta pode conduzir à perda de audição. Por favor, mantenha o volume num nível seguro.



Este símbolo no produto ou na embalagem indica que este não deve ser eliminado juntamente com o lixo doméstico. Em vez disso, deve entregá-lo num ponto de recolha apropriado para a reciclagem de equipamentos elétricos e eletrónicos. A recolha e reciclagem do seu equipamento em separado no momento de eliminá-lo irá ajudar a preservar os recursos naturais e a assegurar a sua reciclagem de forma a proteger a saúde humana e o ambiente. Para mais informações sobre o local onde poderá entregar o seu equipamento para reciclagem, contate os serviços municipalizados ou a empresa de recolha de detritos da sua área de residência, ou a loja onde adquiriu o produto.



Utilize apenas com o carrinho, suporte, tripé, apoio ou mesa especificados pelo fabricante ouvidendo com o aparelho. Quando utilizar um carrinho, tenha cuidado ao mover o conjunto carrinho/aparelho para que não ocorram ferimentos se este tombar.

Instruções de segurança importantes

Aviso de potência:

1. Coloque o produto perto da saída de potência para uma utilização fácil.
2. Antes de usar, certifique-se de que a tensão de funcionamento é igual à tensão de alimentação local. A tensão de funcionamento correta encontra-se na placa do produto.
3. Para fins de segurança, retire a ficha do produto da tomada durante trovoadas ou sempre que não usar o produto durante muito tempo.
4. Em condições normais, a fonte de alimentação pode ficar quente. Mantenha uma boa ventilação na área e tenha cuidado.
5. As etiquetas de aviso de segurança encontram-se na estrutura ou parte inferior do produto ou adaptador de alimentação.



Este símbolo serve para alertar o utilizador para a presença de tensão perigosa não isolada dentro do compartimento do produto, a qual pode ter magnitude suficiente para constituir um risco de choque elétrico para as pessoas.



Este símbolo serve para avisar o utilizador para não desmontar o compartimento do produto e que não existem peças passíveis de substituição pelo utilizador. Leve o produto a um centro de reparação autorizado para reparação.



Este símbolo indica que o produto destina-se apenas ao uso no interior.



Este símbolo indica que o produto é CLASSE II ou um dispositivo elétrico com duplo isolamento sem ligação à terra necessária.

A ficha de ALIMENTAÇÃO ou adaptador é utilizado como forma para desligar o aparelho e deve manter-se pronto a ser utilizado.

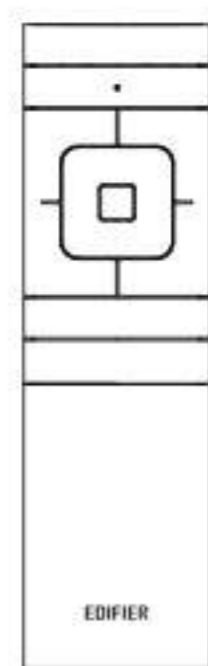
Produtos sem fio:

1. Os produtos sem fios podem gerar frequências de rádio de ondas curtas e interferir com a utilização normal de outros dispositivos eletrónicos ou equipamento médico.
2. Desligue o produto quando não for permitido usá-lo. Não use o produto em instalações médicas, em aviões, em bombas de gasolina, perto de portões automáticos, sistemas de alarme de incêndio automáticos ou outros dispositivos automatizados.
3. Não use o produto perto de um pacemaker, a menos de 20cm de distância. As ondas de rádio podem afetar o funcionamento normal do pacemaker ou outros dispositivos médicos.

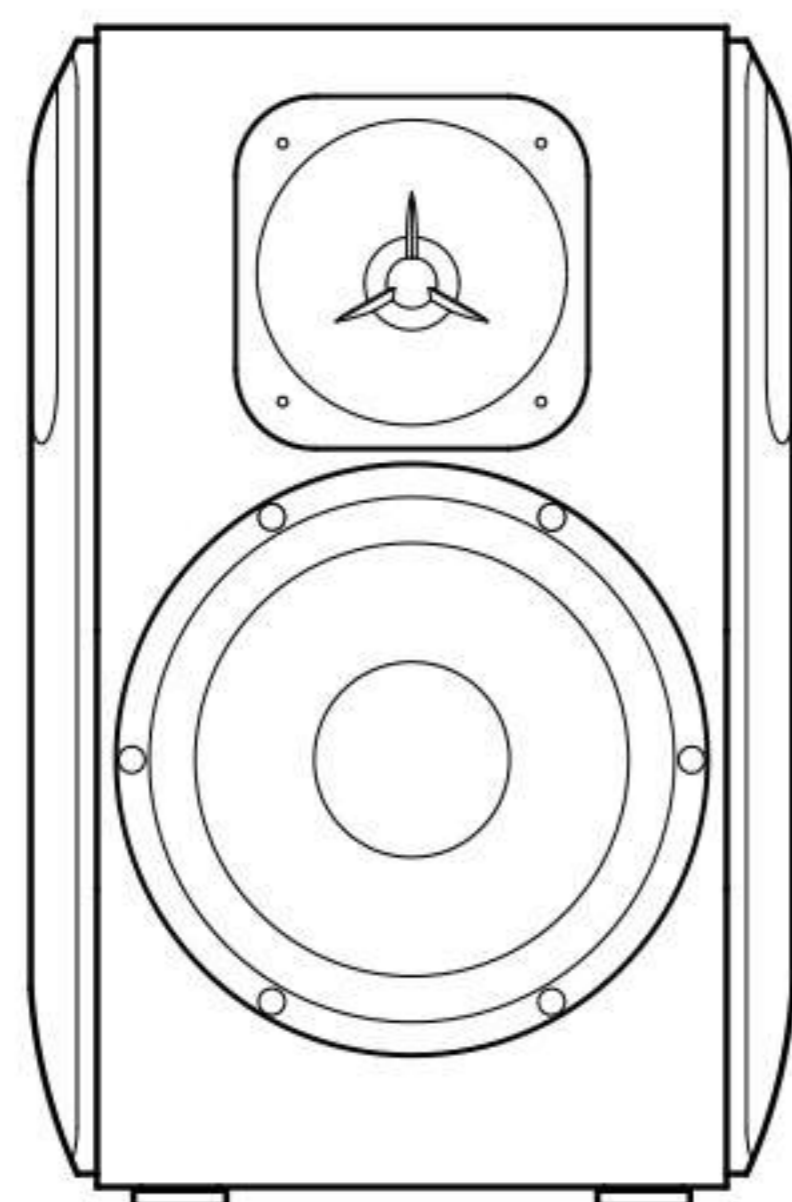
Conteúdo da caixa



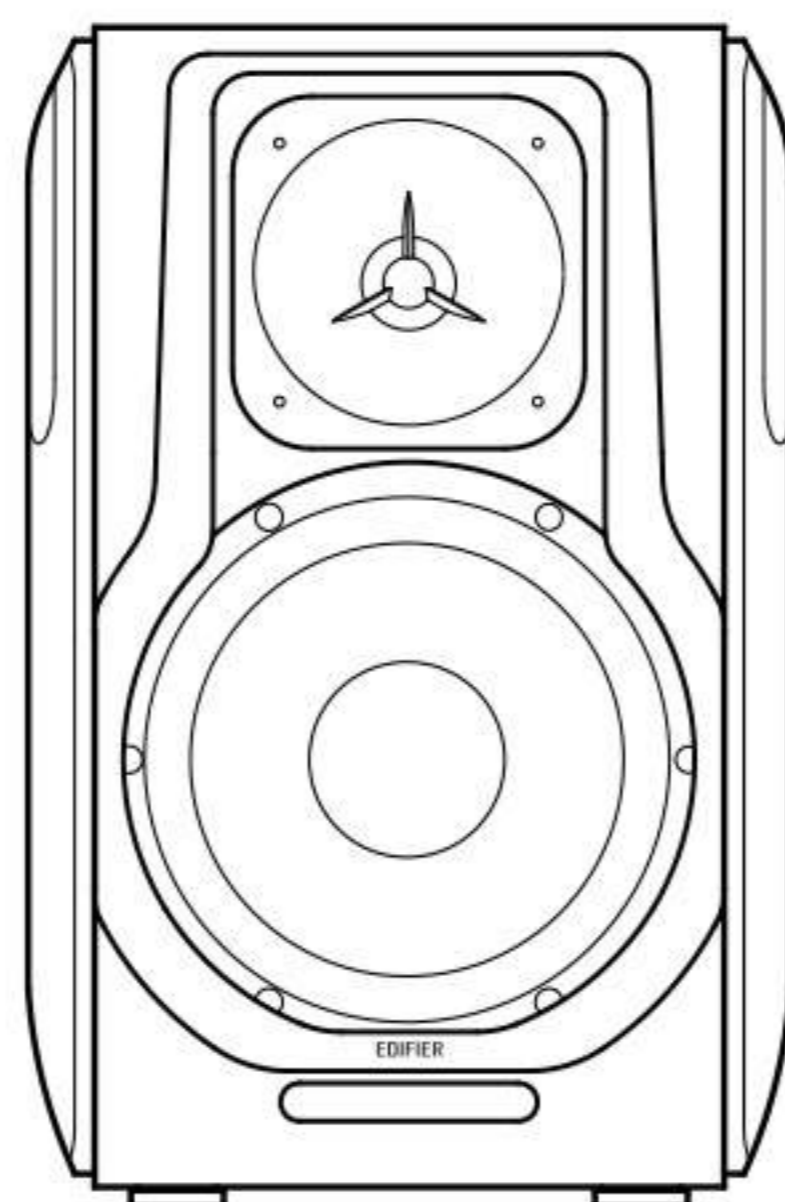
Manual do utilizador



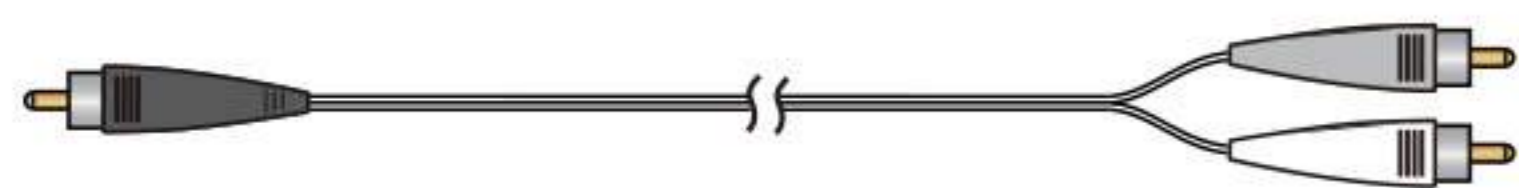
Controlo remoto



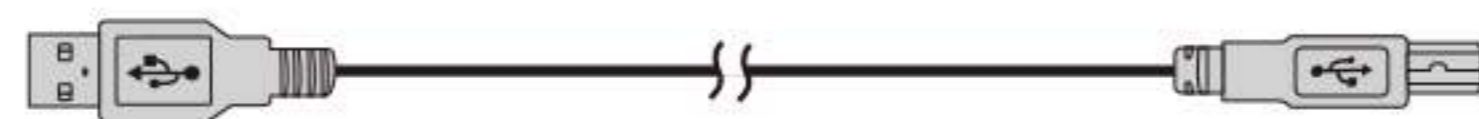
Altifalante passivo (E)



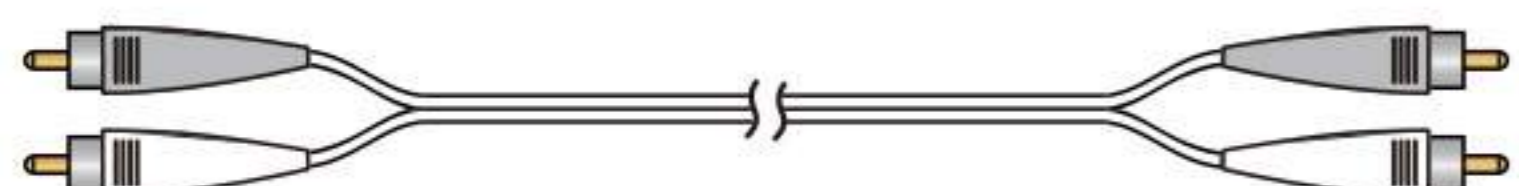
Altifalante ativo (D)



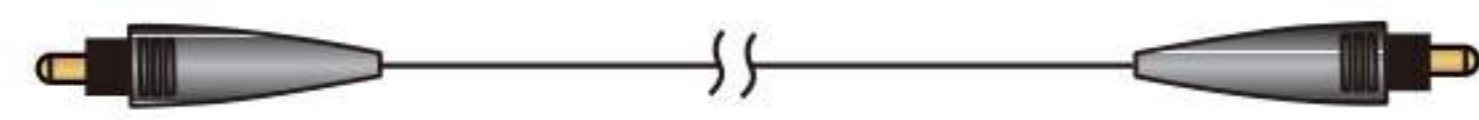
Cabo de áudio RCA de 3,5mm



Cabo de dados USB A- para-B



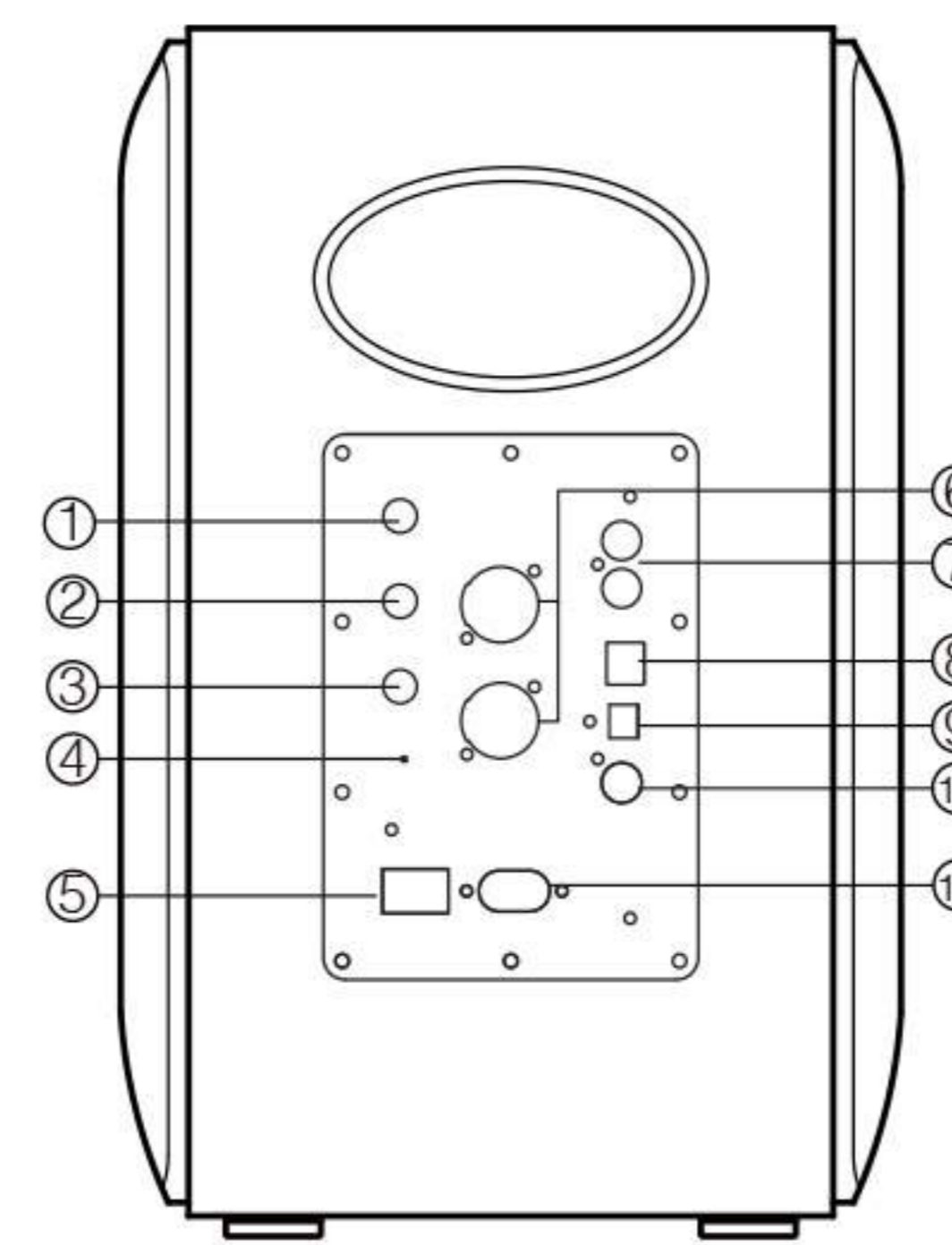
Cabo de áudio RCA para RCA



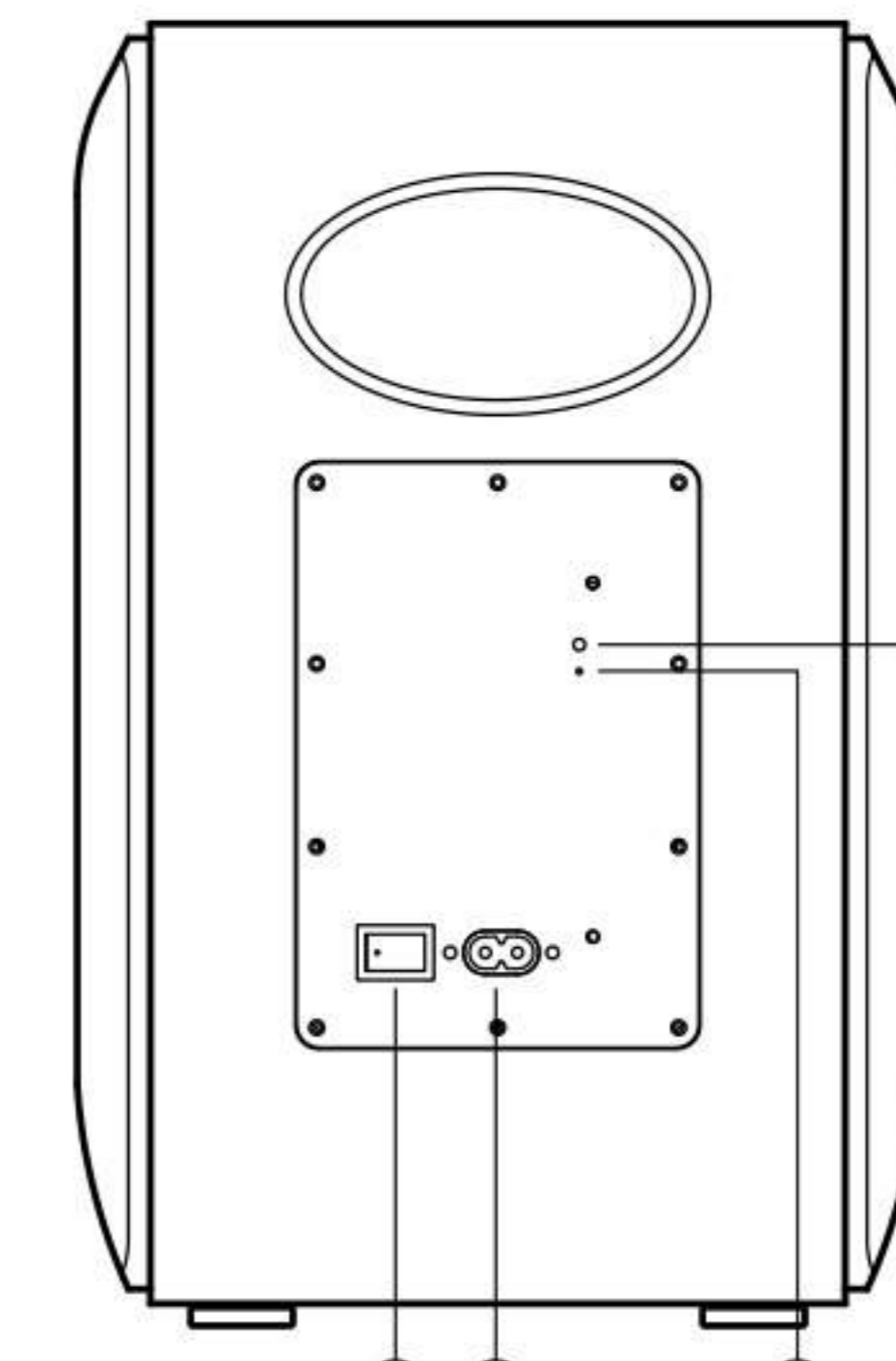
Cabo de áudio de fibra ótica



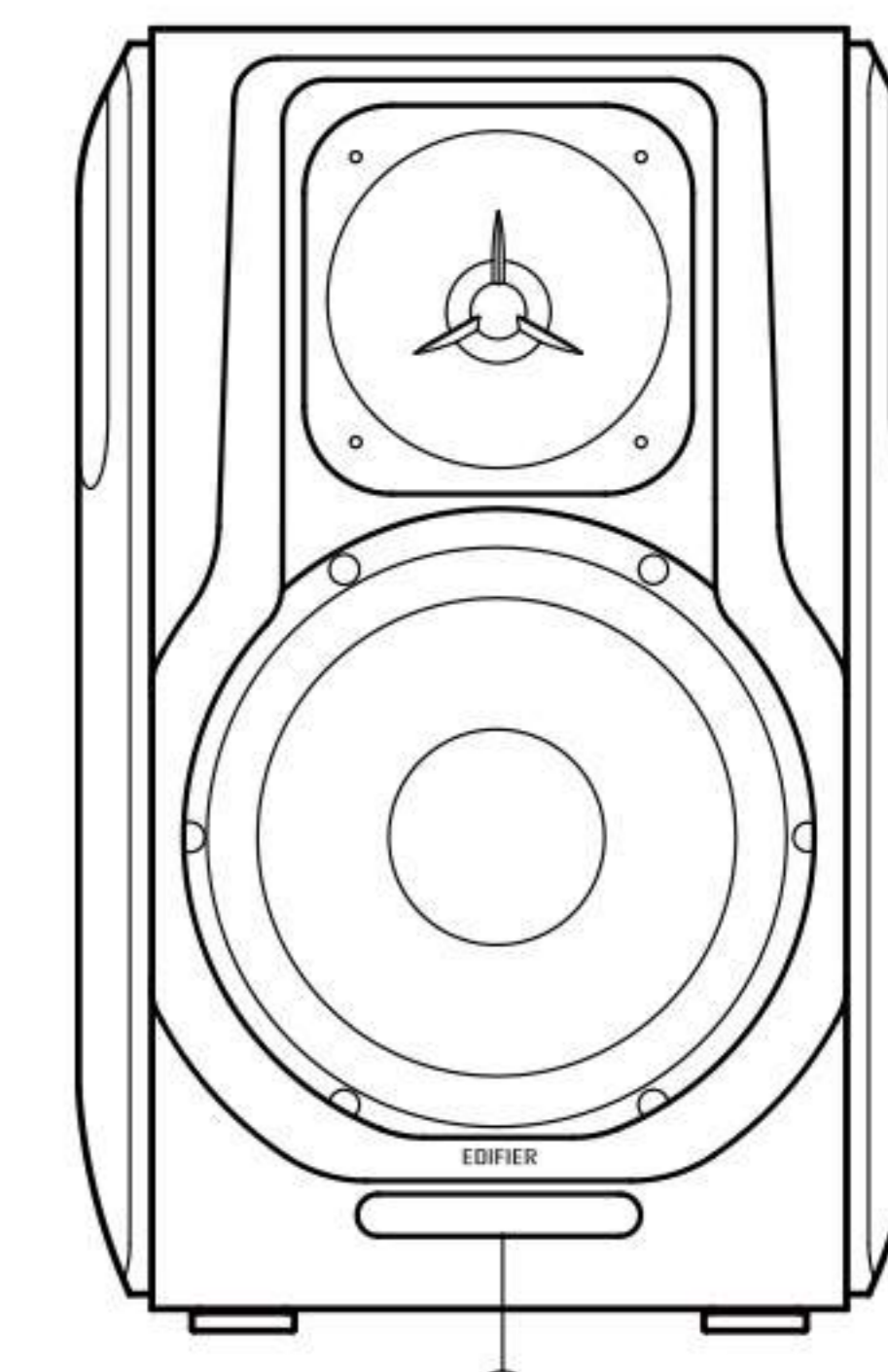
Cabo de alimentação x 2



- 1
- 2
- 3
- 4
- 5
- 6
- 7
- 8
- 9
- 10
- 11



- 12
- 13
- 14
- 15



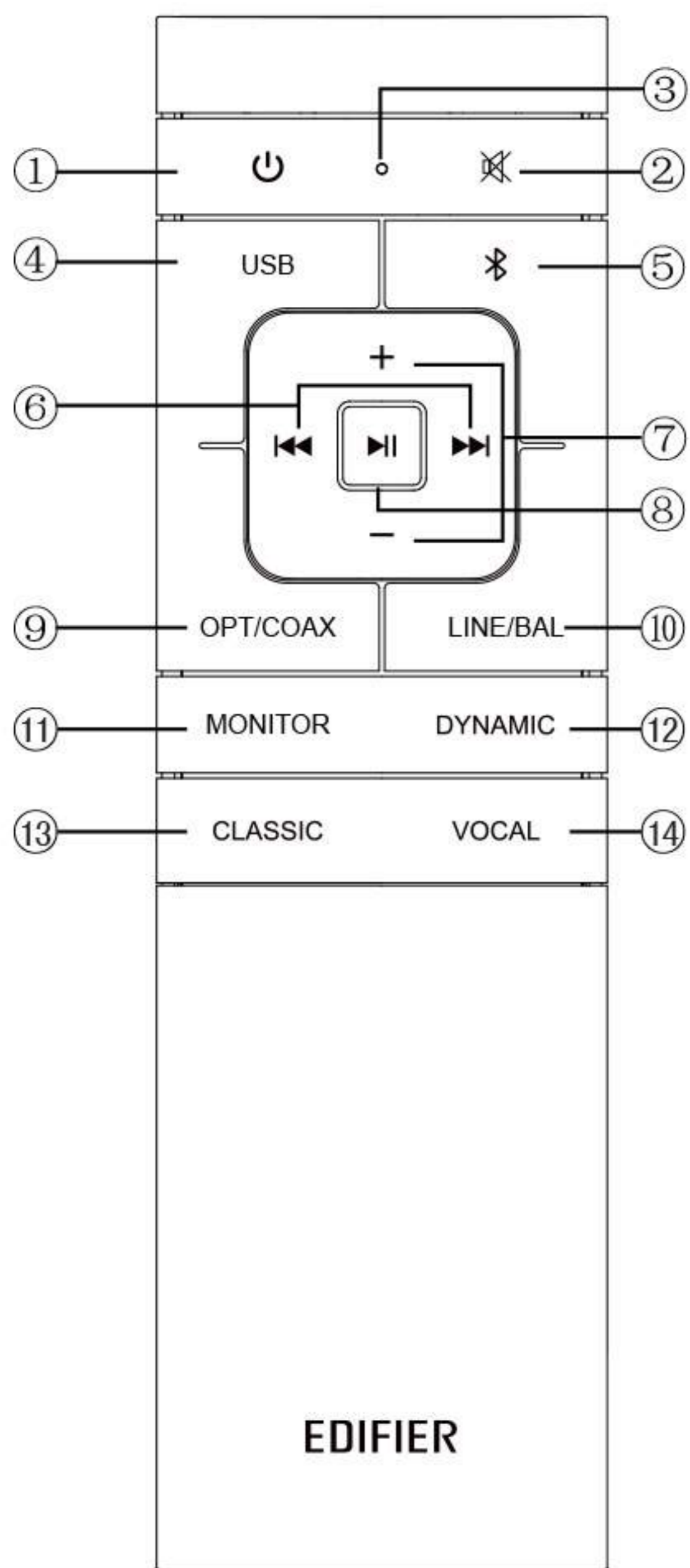
- 16

1. Seletor de volume/Seleção de entrada ("Clicar" para alterar a entrada LINE→BAL→OPT→COAX→USB→*)
2. Controlo de agudos
3. Controlo de graves
4. Botão de emparelhar altifalante passivo
5. Interruptor de alimentação
6. Entrada equilibrada
7. Entrada line in
8. Entrada de áudio digital USB
9. Entrada ótica
10. Entrada coaxial
11. Conetor do cabo de alimentação
12. Interruptor de alimentação

13. Conetor do cabo de alimentação
14. Botão de emparelhar altifalante
15. Indicador de estado
16. Janela de visualização
 - a. Exibe a fonte de áudio atual:
LINE→BAL→OPT→COAX→USB→*
 - b. Seleção do modo:
(MONITOR) modo monitor ligado: O LED pisca uma vez
(DYNAMIC) modo dinâmico ligado: O LED pisca duas vezes
(CLASSIC) modo clássico ligado: O LED pisca três vezes
(VOCAL) modo vocal ligado: O LED pisca quatro vezes

Ilustração do controlo remoto

Aponte o controlo remoto para a janela recetora no altifalante, la distancia operativa óptima es de 7 metros o menos.



1. Tecla power (interruptor ON/OFF)
2. Silenciar
3. Indicador do controlo remoto
4. Entrada USB
5. Entrada Bluetooth (manter premido para desligar Bluetooth)
6. Faixa anterior/seguinte (apenas entradas Bluetooth/áudio por USB)
7. Subir/descer volume
8. Reproduzir/pausar (apenas entradas Bluetooth/áudio por USB)
9. Entrada ótica/coaxial
10. Entrada line in/equilibrada
11. Modo monitor
12. Modo dinâmico
13. Modo clássico
14. Modo vocal

Quatro modos:

Modo MONITOR: apresenta uma curva de resposta áudio plana, para som sem coloração.

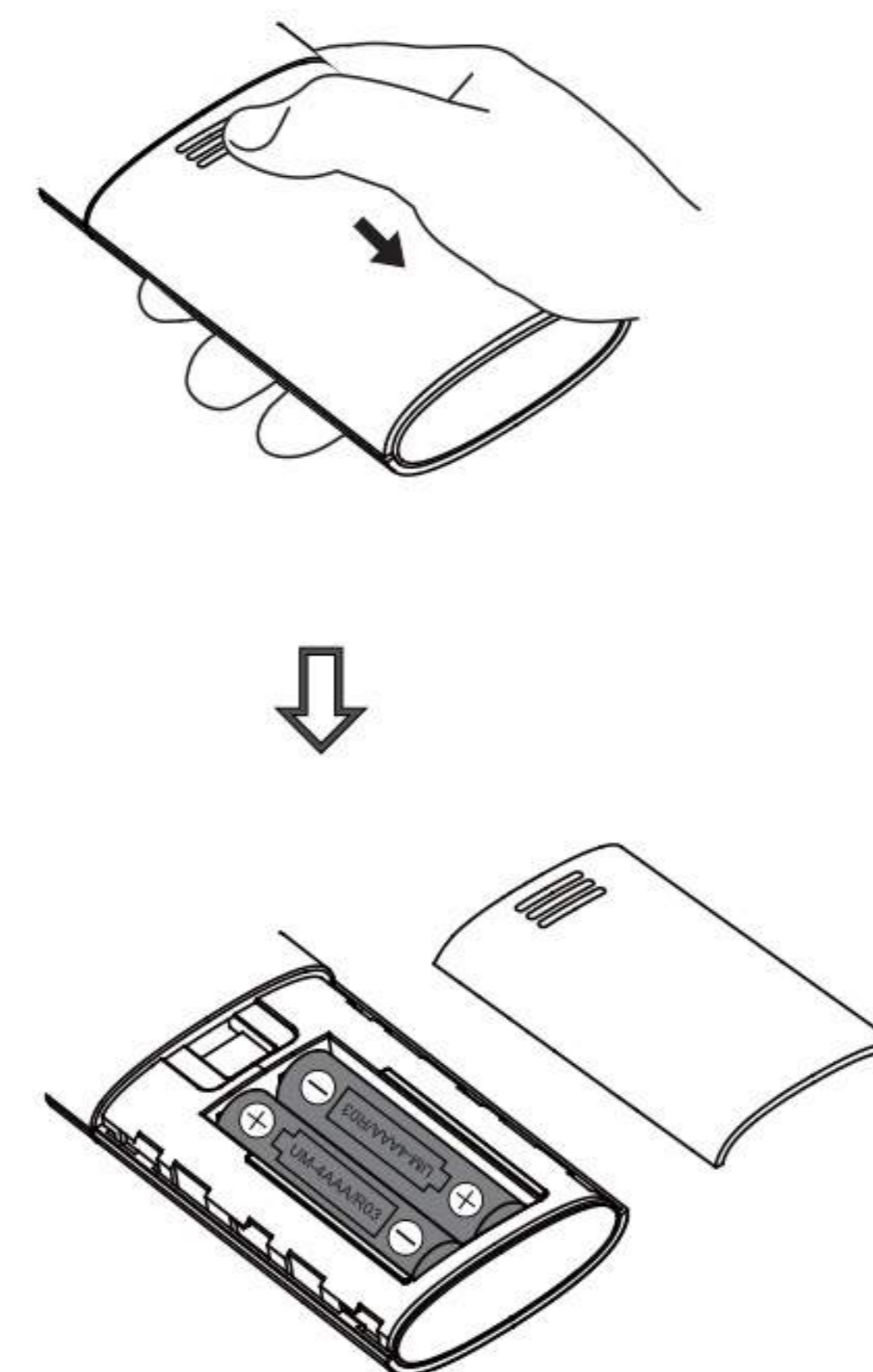
Modo DYNAMIC: mais intenso, mais dinâmico.

Modo CLASSIC: reproduz o som com qualidade HI-FI.

Modo VOCAL: dá mais ênfase à voz humana, a posição do cantor estará mais próxima do ouvinte.

Nota: Depois de ser desligado/ligado ou quando a entrada de áudio é alterada, o altifalante volta ao modo CLASSIC (clássico) por predefinição, defina manualmente para outros modos através do controlo remoto.

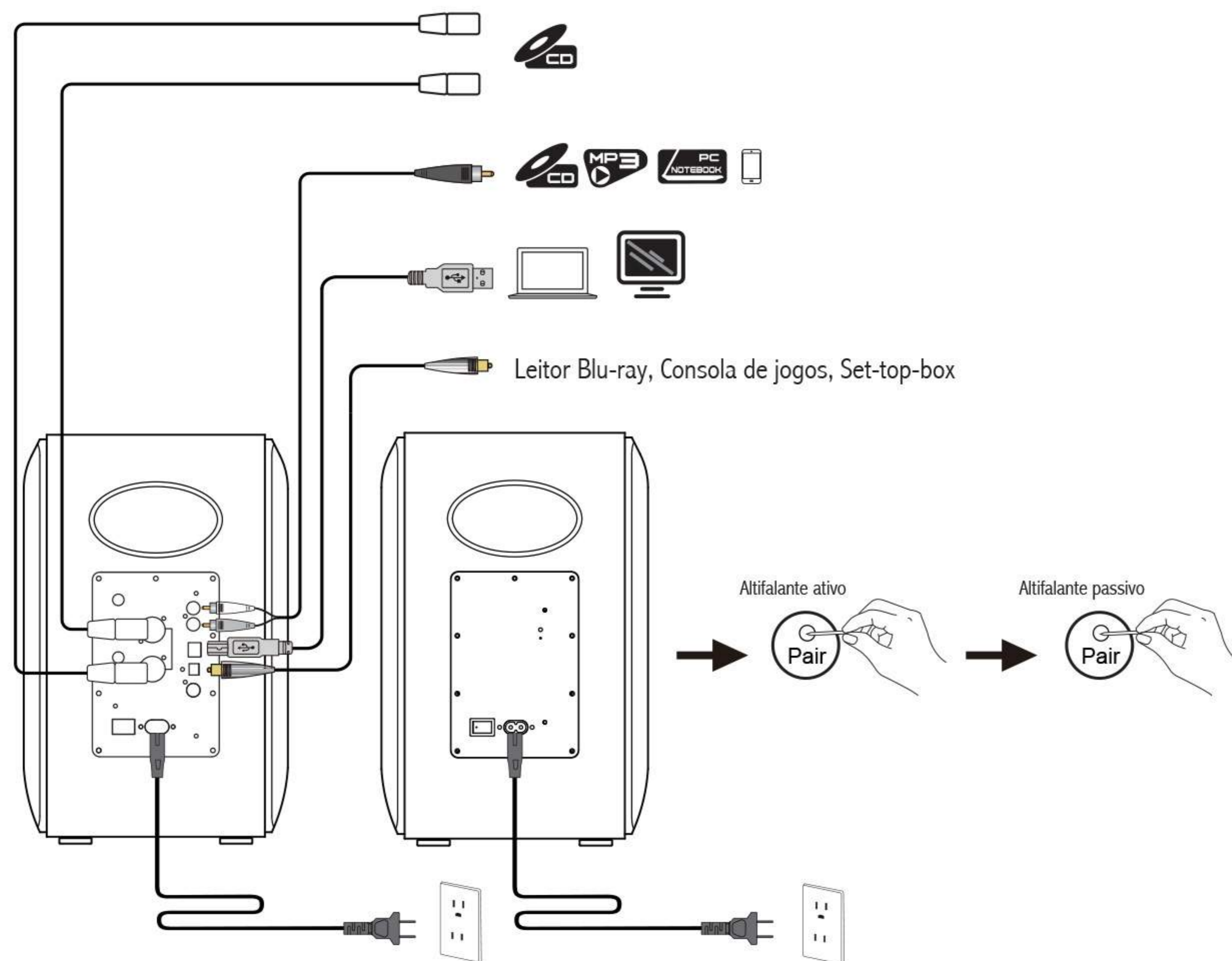
Ilustração do controlo remoto



1. Tal como mostram as ilustrações, prima a tampa do controlo remoto com o polegar e siga a direção da seta para retirar a tampa e coloque duas pilhas AAA (siga os polos "+" e "-") no controlo remoto.
2. A vida útil das pilhas dura normalmente cerca de 6 meses; substitua-as quando o controlo remoto deixar de ter sensibilidade ou a distância de controlo começar a encurtar.
3. Nunca use pilhas novas e antigas misturadas.

Nota:

1. Não coloque o controlo remoto em locais quentes e húmidos.
2. Não carregue as pilhas.
3. Remova as pilhas quando não usar o controlo remoto durante um longo período de tempo, para evitar fugas as mesmas.
4. A bateria não deve ser exposta ao calor excessivo, como a luz solar direta, fogo ou semelhante.
5. Perigo de explosão se a bateria for substituída incorretamente. Substitua apenas pelo mesmo tipo ou por um tipo equivalente.



1. Conforme ilustrado, ligue a fonte de áudio com o cabo áudio correspondente.
2. Ligue os altifalantes à fonte de alimentação com os cabos elétricos e ligue o interruptor. Os altifalantes estarão prontos a funcionar, o LED acende no altifalante ativo e exibe a entrada de áudio atual.

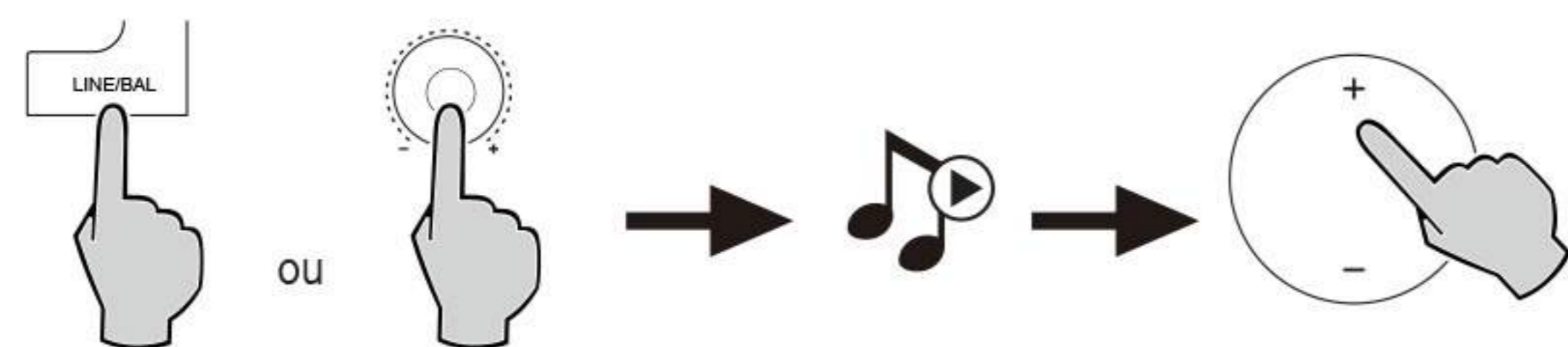
O altifalante ativo (D) e o altifalante passivo (E) foram emparelhados antes de sair de fábrica. A ligação sem fios irá retomar automaticamente quando ambos os altifalantes estão ligados e o indicador vermelho no altifalante passivo está aceso. Se a ligação sem fios não retomar, siga os passos abaixo para voltar a emparelhar.

1. Ligue o altifalante ativo, mantenha premida a tecla “Pair” (emparelhar) no painel traseiro do altifalante ativo (D). O LED do modo atual acende-se no visor e pisca rapidamente;
2. Mantenha premida a tecla “Pair” (emparelhar) no painel traseiro do altifalante passivo (E), o indicador vermelho no altifalante passivo (E) pisca rapidamente.
3. Aguarde até o indicador vermelho no altifalante passivo (E) ficar aceso fixo. Emparelhar está concluído e a ligação sem fios realizada.

Nota:

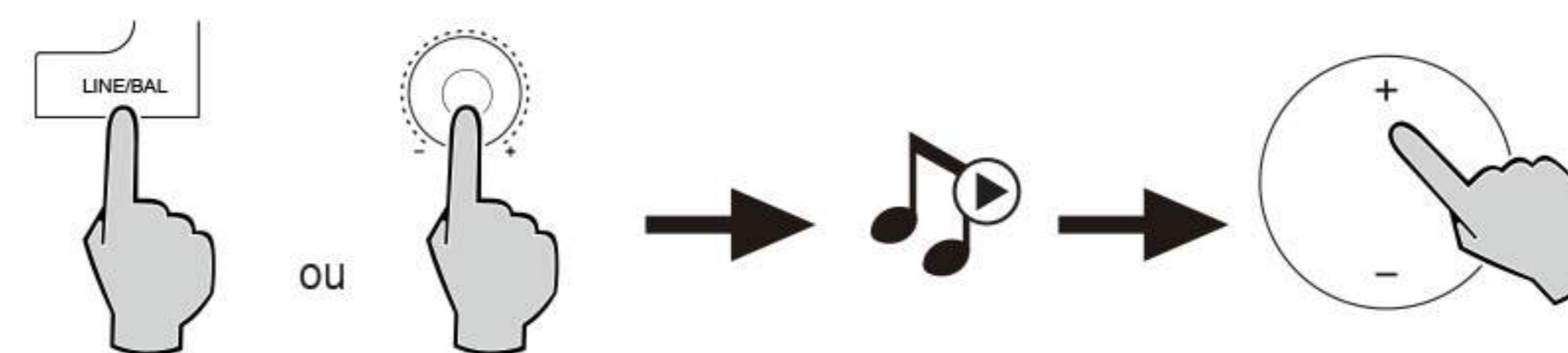
Se o indicador vermelho no altifalante passivo (E) estiver num padrão pulsante, indica que não existe ligação, ou a ligação não foi bem sucedida. Repita os passos acima.

Entrada equilibrada



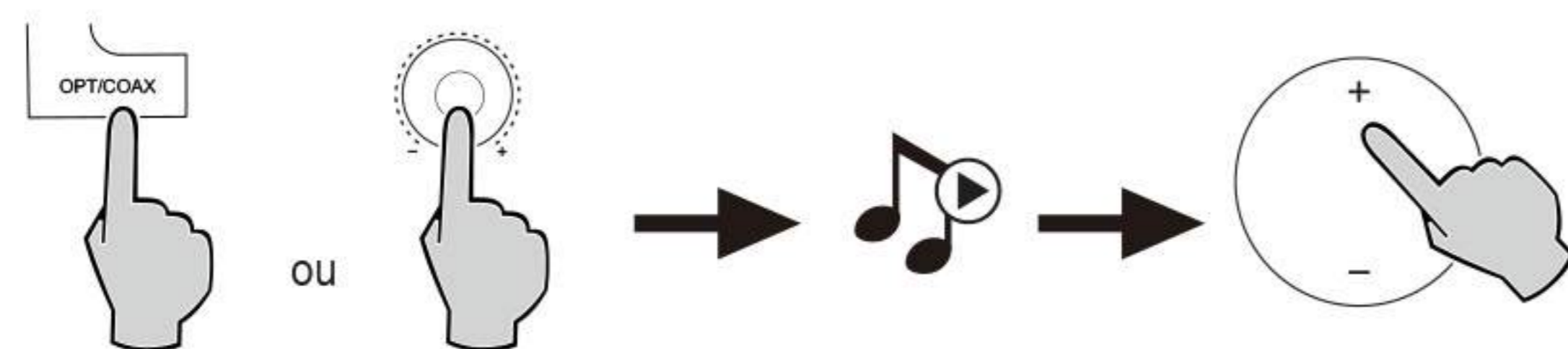
1. Ligue a entrada de áudio (leitor de CD, decodificador, etc.) à porta de entrada equilibrada no painel traseiro do altifalante ativo com o cabo áudio equilibrado XLR (cabo XLR não incluído).
2. Prima a tecla “LINE/BAL” no controlo remoto, ou prima o botão “Volume dial/Input selection” (Seletor de volume/Seleção de entrada) no painel traseiro do altifalante ativo até o indicador LED no altifalante ativo exibir “BAL”.
3. Reproduza música e ajuste para o volume pretendido.

Entrada line in



1. Ligue a entrada de áudio (telemóvel, tablet, etc.) à porta de entrada Line in (tenha em atenção a combinação de cor) no painel traseiro do altifalante ativo com o cabo de áudio RCA de 3,5 mm ou cabo de áudio RCA-RCA.
2. Prima a tecla “LINE/BAL” no controlo remoto, ou prima o botão “Volume dial/Input selection” (Seletor de volume/Seleção de entrada) no painel traseiro do altifalante ativo até o indicador LED no altifalante ativo exibir “LINE”.
3. Reproduza música e ajuste para o volume pretendido.

Entrada óptica/coaxial

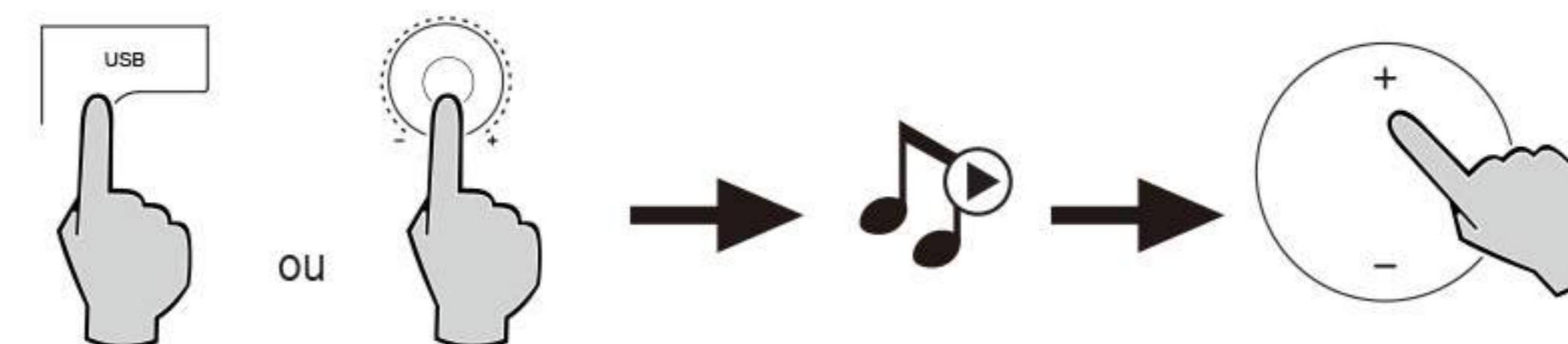


1. Ligue a entrada de áudio (leitor de Blu-ray, Set-top-box, etc.) à porta de entrada ótica ou coaxial no painel traseiro do altifalante ativo com o cabo áudio de fibra ótica ou o cabo coaxial (cabo coaxial não incluído).
2. Prima a tecla “OPT/COAX” no controlo remoto, ou prima o botão “Volume dial/Input selection” (Seletor de volume/Seleção de entrada) no painel traseiro do altifalante ativo até o indicador no altifalante ativo exibir “OPT” ou “COAX”.
3. Reproduza música e ajuste para o volume pretendido.

Nota:

Apenas a função dos sinais de áudio PCM padrão (44,1KHz/48KHz/96KHz/192KHz) função no modo ótico/coaxial.

Entrada de áudio digital USB



O chip de interface USB no S3000 Pro é um chip XMOS, utilizado por equipamento áudio de topo. Depois de ser ligado ao PC, a interface USB extrai diretamente e reproduz o sinal de áudio digital de forma semelhante à “Placa de som externa USB” para evitar degradação do som e compressão de gama dinâmica provocada pela conversão de digital para analógico da placa de som do PC e para garantir o restauro da qualidade de som original.

1. Consulte os detalhes na página 103 para transferir e instalar o programa do controlador.
2. Ligue a porta de tipo USB A no PC à entrada tipo USB B no painel traseiro do altifalante ativo com um cabo de dados USB A-para-B.
3. Prima a tecla “USB” no controlo remoto, ou prima o botão “Volume dial/Input selection” (Seletor de volume/Seleção de entrada) no painel traseiro do altifalante ativo até o indicador LED no altifalante ativo exibir “USB”.
4. Reproduza música e ajuste para o volume pretendido.

Entrada de áudio digital USB

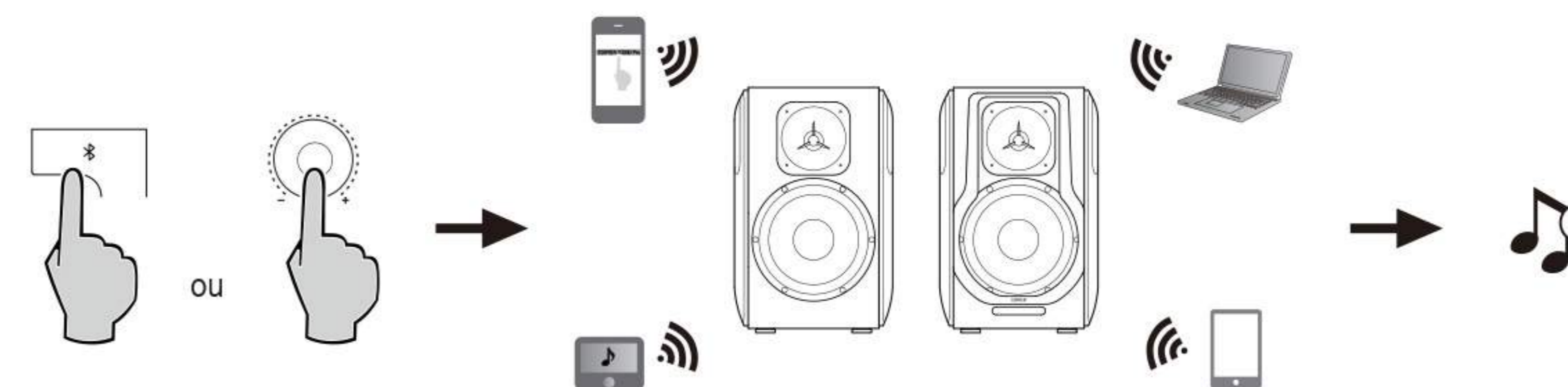
Nota:

1. Controlador USB padrão para áudio no sistema operativo Windows 7/ Windows 10 apenas suporta Áudio USB de Classe 1, o que limita a transmissão de áudio a apenas 2 canais PCM com a taxa máxima de amostragem de 96KHz. Para suportar PCM com maior taxa de amostragem, a interface USB do S3000 Pro está criada em Áudio USB de Classe 2, portanto é necessário um controlador específico para utilizar com o Windows 7/ Windows 10. Consulte <https://www.edifier.com/cn/zh/speakers/S3000 Pro> para mais detalhes.
2. Entenda que o sistema operativo Windows XP não é mais mantido pela Microsoft, o software de controladores para funcionar com o Windows XP não está mais disponível. Pode surgir um aviso de risco durante a instalação, instale de acordo com as suas necessidades.
3. O controlador USB no SO Mac suporta Áudio USB de Classe 1 e áudio USB de Classe 2 por predefinição. Portanto não é necessário nenhum software de controlador dedicado para o S3000 Pro utilizar com computadores Mac.
4. Para mais informações sobre o software de controlador, inicie sessão no link abaixo para mais detalhes: <https://www.xmos.com/support/usb-audio-driver-support>
5. Se precisar de adquirir um cabo de dados USB A- para-B, pode procurar e adquirir em várias plataformas de vendas eletrónicas.
6. No modo USB, é suportada a transmissão PCM com várias taxas de amostragem, incluindo 44,1KHz/48KHz/96KHz/192KHz.

Nota:

o controlo de reprodução na entrada USB pertence ao controlo USB HID, este controlo tem de suportar o software do leitor, podem existir diferenças de compatibilidade para diferente software de leitor áudio.

Entrada Bluetooth



1. Prima a tecla “” no controlo remoto, ou prima o botão “Volume dial/Input selection” (Seletor de volume/ Seleção de entrada) no painel traseiro do altifalante ativo até o indicador LED no altifalante ativo exibir “”.
2. Defina o seu dispositivo Bluetooth (telemóvel, tablet, etc.) para procurar e selecionar “EDIFIER S3000 Pro”.

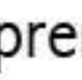
Nota:

- * A função Bluetooth no S3000 Pro só pode ser pesquisada e ligada no modo Bluetooth. A ligação de Bluetooth atual será desligada quando o altifalante for mudado para outra fonte de áudio. Quando for mudado novamente para o modo Bluetooth, o altifalante tentará ligar ao último dispositivo de fonte de áudio Bluetooth ligado.
- * Se for necessário, o código PIN para ligação é “0000”.
- * Para desligar o Bluetooth, mantenha premido o botão “” no controlo remoto durante cerca de 2 segundos.
- * Para desfrutar de todas as funções Bluetooth, certifique-se que o seu dispositivo de fonte áudio tem os perfis A2DP e AVRCP.
- * A conectividade e compatibilidade Bluetooth podem ser diferentes entre os dispositivos de origem, dependendo das versões de software dos mesmos.
- * O decodificador Qualcomm® aptX™ integrado no produto ajuda a alcançar uma melhor qualidade de transmissão de som sem fios, pelo que deve usar o dispositivo que suporta Qualcomm® aptX™ como fonte de áudio.

Especificações

Saída de potência:	D/E (Agudos): 8W+8W D/E (Médio alcance e graves): 120W+120W
Resposta de frequência:	38Hz~40KHz
Entrada de áudio:	Entrada Line in/USB/Ótico/Coaxial/Bluetooth/Equilibrada
Banda de frequência:	2.402GHz ~ 2.480GHz
RF Potência de saída:	≤ 20 dBm (EIRP)
Não existem restrições à utilização.	

Resolução de problemas

Problema	Solução
Sem som	• Verifique se a luz do indicador de alimentação está ACESA.
	• Tente aumentar o volume utilizando o controlo do volume principal ou o controlo remoto.
	• Certifique-se de que os cabos de áudio estão bem ligados e que a entrada está corretamente selecionada nos altifalantes.
	• Verifique se existe saída do sinal do dispositivo de áudio fonte.
Não é possível ligar por Bluetooth	• Certifique-se de que o altifalante está comutado para a entrada Bluetooth. Se estiver noutra modo de entrada de áudio, a função Bluetooth não será ligada. Desligue de todos os dispositivos Bluetooth premindo e mantendo premido  no modo Bluetooth, e tente novamente.
	• O alcance efetivo da transmissão por Bluetooth é de 10 metros; certifique-se de que está a operar dentro desse alcance máximo.
	• Tente ligar-se a outro dispositivo Bluetooth.
O S3000 Pro não se liga	• Verifique se a fonte de alimentação principal está ligada ou se a tomada de parede tem corrente.

Para mais informações sobre a EDIFIER, consulte o site www.edifier.com

Para obter informações sobre a garantia da Edifier, aceda à página relevante do país em www.edifier.com e consulte a secção dos Termos da Garantia.

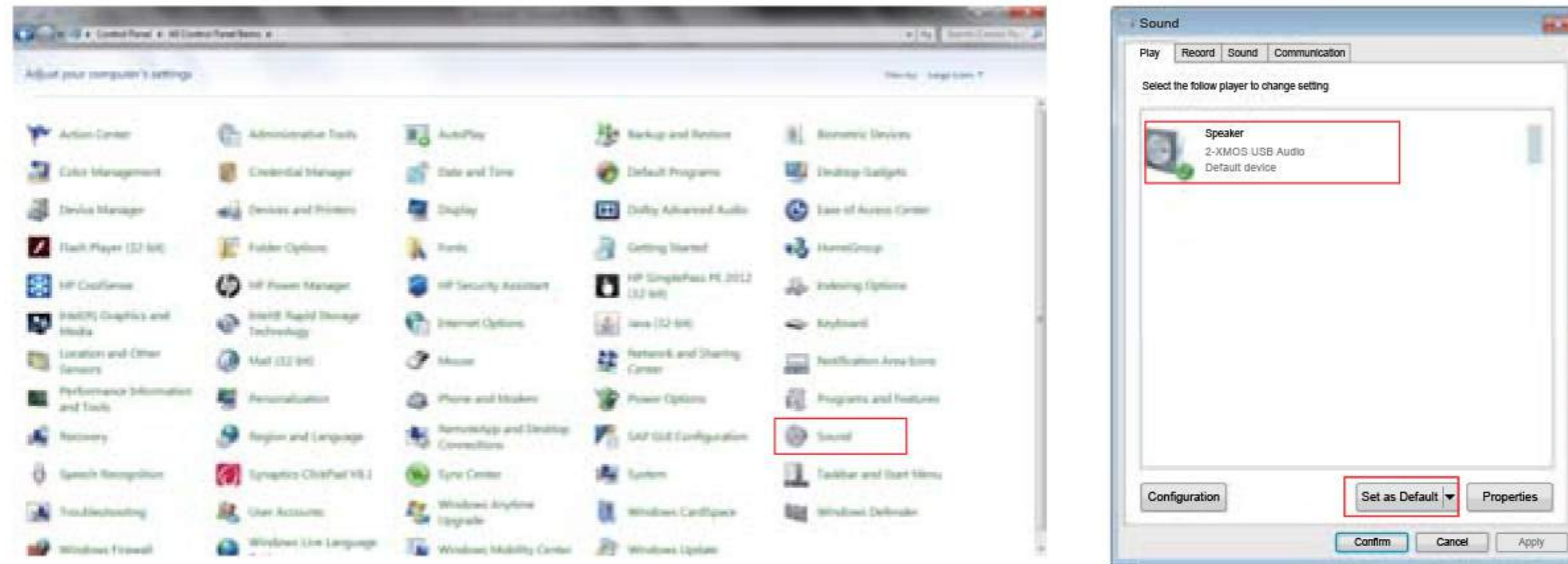
EUA e Canadá: service@edifier.ca

América do Sul: Visite o site www.edifier.com (Inglês) ou www.edifierla.com (Espanhol/Português) para obter informações sobre o contacto local.

Resolução de problemas

Se o altifalante estiver ligado ao PC através de um cabo áudio USB:

- Se o PC estiver a utilizar o sistema operativo Windows, confirme se o controlador USB especial para o S3000 Pro foi instalado; caso contrário, transfira e instale o controlador.
- Para utilizadores Windows, abra “Gestor de Dispositivos” para verificar se existe um dispositivo USB listado como “EDIFIER S3000 Pro” ou “XMOS USB Audio”; caso não, pode ter de instalar o programa de controlador USB especial do S3000 Pro ou reiniciar o PC. Para utilizadores Mac, abra o separador “Preferências do Sistema” → “Som” para verificar se existe um dispositivo de saída de som com o nome “EDIFIER S3000 Pro”.
- Certifique-se se o altifalante está definido como dispositivo de saída de áudio.
Para utilizadores Windows, abra o separador “Painel de Controlo” → “Som” → “Reproduzir” → “Definir como predefinição” para definir “XMOS USB Audio” como o dispositivo de saída de áudio atual.



Resolução de problemas

Para utilizadores Mac, abra o separador “Preferências do sistema” → “Som” → “Saída” e selecione “EDIFIER S3000 Pro” como o dispositivo de saída de áudio atual.

