

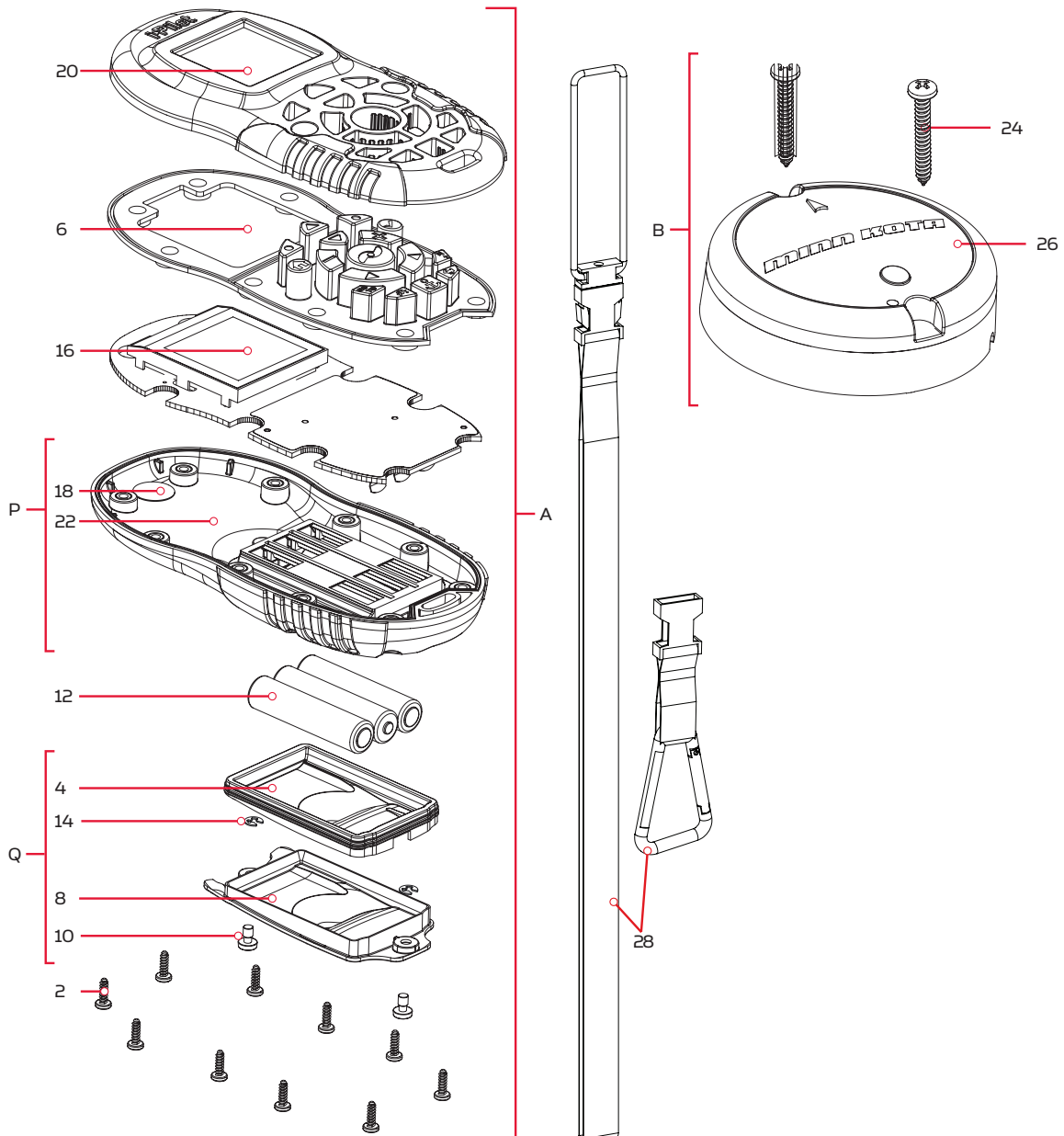
# PARTS DIAGRAM & PARTS LIST

## i-PILOT 1.6

POWERDRIVE, RIPTIDE POWERDRIVE, TERROVA, RIPTIDE TERROVA, ULTERRA, RIPTIDE ULTERRA & ULTREX

### i-PILOT REMOTE & HEADING SENSOR

#### Remote & Heading Sensor Parts Diagram



## Remote & Heading Sensor Parts List

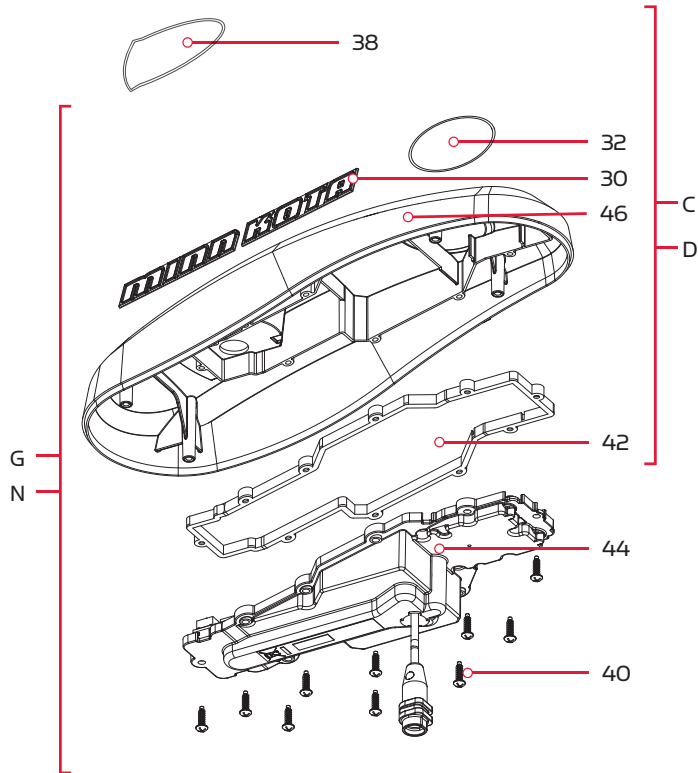
| Assembly | Part #  | Description                                      | Quantity |
|----------|---------|--|----------|
| A        | 2994075 | REMOTE ASY, IPILOT                               | 1        |
| B        | 2996400 | HEADING SENSOR ASSEMBLY                          | 1        |
| P        | 2882557 | CASE BTM, WINDOW ASM & VENT DCL                  | 1        |
| Q        | 2886423 | BATTERY DOOR, SEAL, SCREW KIT                    | 1        |
| Item     | Part #  | Description                                      | Quantity |
| 2        | 2373443 | SCREW-2.5MMx8MM DELTA PT TORX                    | 10       |
| 4        | 2374647 | SEAL, BATTERY DOOR, iPILOT 1.6                   | 1        |
| 6        | 2375134 | KEYPAD, iPILOT 1.6 REMOTE                        | 1        |
| 8        | 2376423 | DOOR, BATTERY, iPILOT 1.6                        | 1        |
| 10       | 2383442 | SCREW-3MM X .5 PPH MACHINE                       | 2        |
| 12       | *       | BATTERY AAA, iPILOT 1.6                          | 3        |
| 14       | 2393000 | E-CLIP, 3MM, SS                                  | 2        |
| 16       | *       | PCB ASY, iPILOT 1.6 REMOTE                       | 1        |
| 18       | *       | DECAL, VENT PATCH, 1/2" OD                       | 1        |
| 20       | 2992552 | CASE TOP w/WINDOW ASSY                           | 1        |
| 22       | *       | CASE BTM w/WINDOW ASSY                           | 1        |
| 24       | 2393400 | SCREW-#8-18X1-1/2 PPH TY AB SS *STAINLESS STEEL* | 2        |
| 26       | *       | HEADING SENSOR                                   | 1        |
| 28       | 2390800 | LANYARD, REMOTE W/ CARABEENER                    | 1        |

\* This part is included in an assembly and cannot be ordered individually.

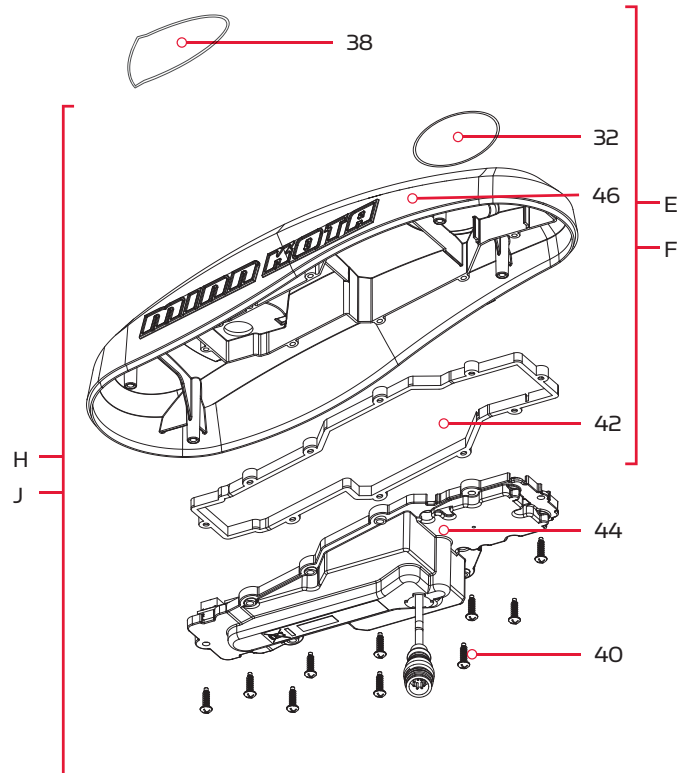
i-PILOT CONTROL HEAD

Control Head Parts Diagram

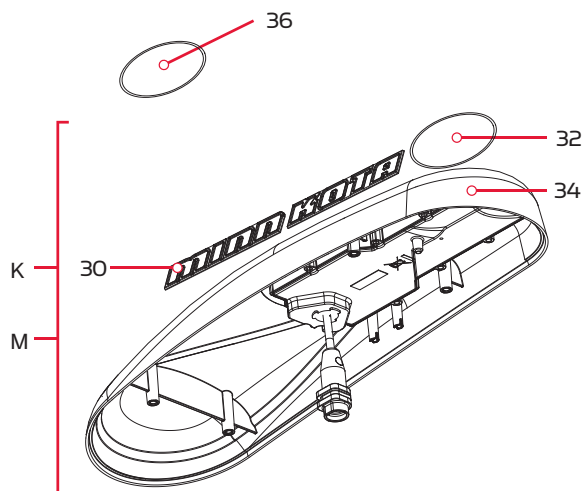
Ultrex, Terrova & Riptide Terrova



PowerDrive & Riptide PowerDrive



Ulterra & Riptide Ulterra



## Control Head Parts List

| Assembly | Part #  | Description  | Quantity |
|----------|---------|--|----------|
| C        | 2770204 | COVER KIT, IPLT 1.6 TRV,ULTREX *TERROVA* *ULTREX* *FRESHWATER*   | 1        |
| D        | 2770207 | COVER KIT, IPLT 1.6 RT TERROVA *RIPTIDE TERROVA* *SALTWATER*   | 1        |
| E        | 2770202 | COVER KIT, IPLT 1.6 POWERDRIVE *POWERDRIVE* *FRESHWATER*   | 1        |
| F        | 2770203 | COVER KIT,IPLT 1.6 RT PWRDRIVE *RIPTIDE POWERDRIVE* *SALTWATER*  | 1        |
| G        | 2774051 | MOTOR KIT, IPLT 1.6 RT TERROVA *RIPTIDE TERROVA* *SALTWATER* *CONTROLLER* *NO REMOTE*                                    | 1        |
| H        | 2774063 | MOTOR KIT, IPLT 1.6 POWERDRIVE *POWERDRIVE* *FRESHWATER* *CONTROLLER* *NO REMOTE*  | 1        |
| J        | 2774054 | MOTOR KIT,IP 1.6 RT POWERDRIVE *RIPTIDE POWERDRIVE* *SALTWATER* *CONTROLLER* *NO REMOTE*                                 | 1        |
| K        | 2774162 | MOTOR KIT, IPILOT 1.6 ULTERRA *ULTERRA* *FRESHWATER* *CONTROLLER* *NO REMOTE*  | 1        |
| M        | 2774159 | MOTOR KIT, IPLT 1.6 RT ULTERRA *RIPTIDE ULTERRA* *SALTWATER* *CONTROLLER* *NO REMOTE*                                    | 1        |
| N        | 2774062 | MOTOR KIT, IPLT 1.6 TRV,UTREX *ULTREX* *FRESHWATER* *CONTROLLER* *NO REMOTE*   | 1        |
| Item     | Part #  | Description  | Quantity |
| 30       | 2325612 | DECAL,CTRL BOX SIDE BT FW *FRESHWATER* *ULTERRA* *ULTREX* *TERROVA*  | 2        |
|          | 2325613 | DECAL, CTRL BOX SIDE BT SW *SALTWATER* *RIPTIDE ULTERRA* *RIPTIDE TERROVA*   | 2        |
| 32       | 2395520 | DECAL, DOMED IPILOT FW *FRESHWATER* *ULTERRA* *I-PILOT* *POWERDRIVE* *ULTREX* *TERROVA*                                  | 1        |
|          | 2395521 | DECAL, DOMED IPILOT SW *SALTWATER* *RIPTIDE ULTERRA* *I-PILOT* *RIPTIDE TERROVA* *RIPTIDE POWERDRIVE*                    | 1        |
| 34       | ✘       | CTRL HEAD ASY, IPILOT 1.6 ULT *FRESHWATER* *ULTERRA*   | 1        |
|          | ✘       | CTRL HEAD ASY, IP 1.6 RT ULT *SALTWATER* *RIPTIDE ULTERRA*   | 1        |
| 36       | 2205508 | DECAL-GENERIC, PUSH BTN TOP FW *FRESHWATER* *ULTERRA* *PUSH BUTTON*  | 1        |
|          | 2205509 | DECAL-GENERIC, PUSH BTN TOP SW *SALTWATER* *RIPTIDE ULTERRA* *PUSH BUTTON*   | 1        |
| 38       | 2315698 | DECAL-GENERIC, PUSH BTN TOP FW *TERROVA* *ULTREX* *POWERDRIVE* *FRESHWATER*  | 1        |
|          | 2315699 | DECAL-GENERIC, PUSH BTN TOP SW *RIPTIDE TERROVA* *RIPTIDE POWERDRIVE* *SALTWATER*  | 1        |
| 40       | 2383473 | SCREW-#6 X .5 BRASS HI-LO*FRESHWATER* *SALTWATER* *RIPTIDE TERROVA* *POWERDRIVE* *RIPTIDE POWERDRIVE* *ULTREX* *TERROVA* | 10       |
| 42       | 2376940 | GASKET,COMP-GPS MODULE *FRESHWATER* *SALTWATER* *RIPTIDE TERROVA* *POWERDRIVE* *RIPTIDE POWERDRIVE* *ULTREX* *TERROVA*   | 1        |
| 44       | ✘       | CTRL ASY, IPILOT 1.6 TER/UTX *SALTWATER* *RIPTIDE TERROVA* *FRESHWATER* *ULTREX* *TERROVA*                               | 1        |
|          | ✘       | CTRL ASY, IPILOT 1.6 PD *FRESHWATER* *POWERDRIVE* *SALTWATER* *RIPTIDE POWERDRIVE*                                       | 1        |
| 46       | ✘       | COVER,CTRL BOX IP, UTX, T2, V3 *FRESHWATER* *ULTREX* *TERROVA*   | 1        |
|          | ✘       | COVER,CTRL BOX IP, ST/T2,SP/V3 *RIPTIDE TERROVA* *SALTWATER*   | 1        |
|          | ✘       | COVER,CTRL BOX IP, V3 PRINTED *FRESHWATER* *POWERDRIVE*  | 1        |
|          | ✘       | COVER,CTRL BOX IP,RT/V3 PRINTD *RIPTIDE POWERDRIVE* *SALTWATER*  | 1        |

✘ This part is included in an assembly and cannot be ordered individually.