

# PARTS DIAGRAM & PARTS LIST

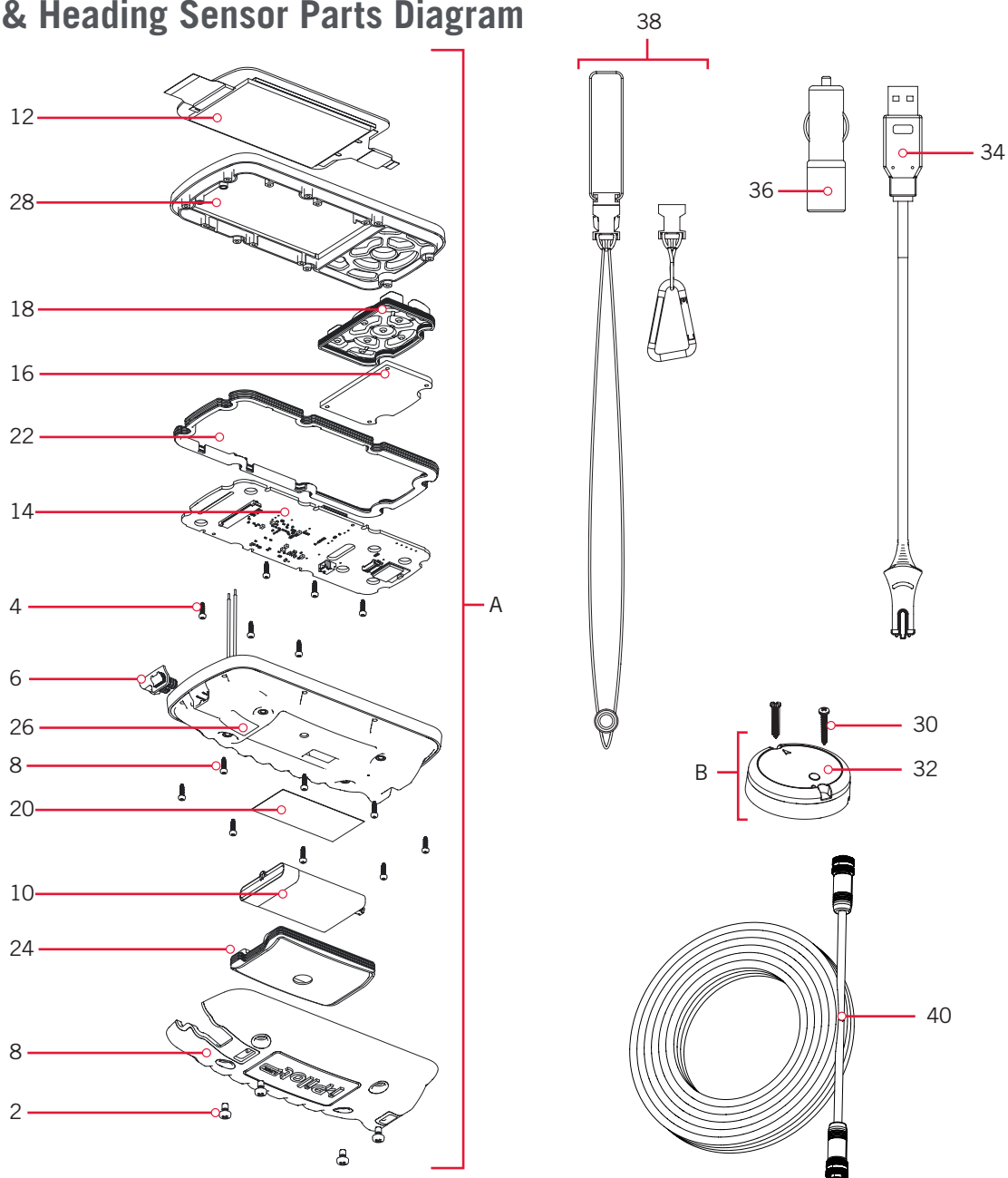
## i-PILOT LINK

TERROVA, RIPTIDE TERROVA, ULTERRA, RIPTIDE ULTERRA & ULTREX

The parts diagram and parts list provides Minn Kota® WEEE compliance disassembly instructions. For more information about where you should dispose of your waste equipment for recycling and recovery and/or your European Union member state requirements, please contact your dealer or distributor from which your product was purchased. Tools required, but not limited to: flat head screwdriver, Phillips screwdriver, socket set, pliers, wire cutters.

### i-PILOT LINK REMOTE & HEADING SENSOR >

### > Remote & Heading Sensor Parts Diagram



Remote & Heading Sensor Parts List

Assembly	Part #	Description	Notes	Quantity
A	2994076	REMOTE ASY, LINK TOUCHSCRN		1
B	2996400	HEADING SENSOR ASSEMBLY		1
Item	Part #	Description	Notes	Quantity
2	2383442	SCREW-3MM X .5 PPH MACHINE		4
4	2383471	SCREW-M2 X 7MM SS DELTA PT		14
6	2390200	DUST CAP, LINK TOUCH REMOTE		1
8	2390210	COVER, BATTERY, LINK TOUCH		1
10	2390710	BATTERY, LIPO PACK w/MOLEX		1
12	✘	DISPLAY-GLASS/PCAP/TFT ASM		1
14	✘	NRI-PCB ASY, iPILOT 3.0 REMOTE		1
16	✘	PCBA, BUTTON BRD, LINK TOUCH		1
18	✘	KEYPAD, LINK TOUCHSCREEN REMOTE		1
20	✘	DECAL, LINK BT REMOTE REG		1
22	✘	GASKET, CASE, LNK TOUCHSCREEN		1
24	2396910	GASKET, BATTERY, LINK TOUCH		1
26	✘	CASE, BACK ASY, LINK TOUCHSCRN		1
28	✘	BEZEL ASSY, LINK TOUCHSCREEN		1
30	2393400	SCREW-#8-18X1-1/2 PPH TY AB SS	*STAINLESS STEEL*	2
32	✘	HEADING SENSOR		1
34	2373241	CABLE, USB REMOTE CHARGER LINK		1
36	2375901	ADAPTER, USB DC POWER LINK		1
38	2390800	LANYARD, REMOTE W/ CARABEENER		1
40	490389-1	CABLE, ETH (M12-M-M12-F, 30'		1

✘ This part is included in an assembly and cannot be ordered individually.

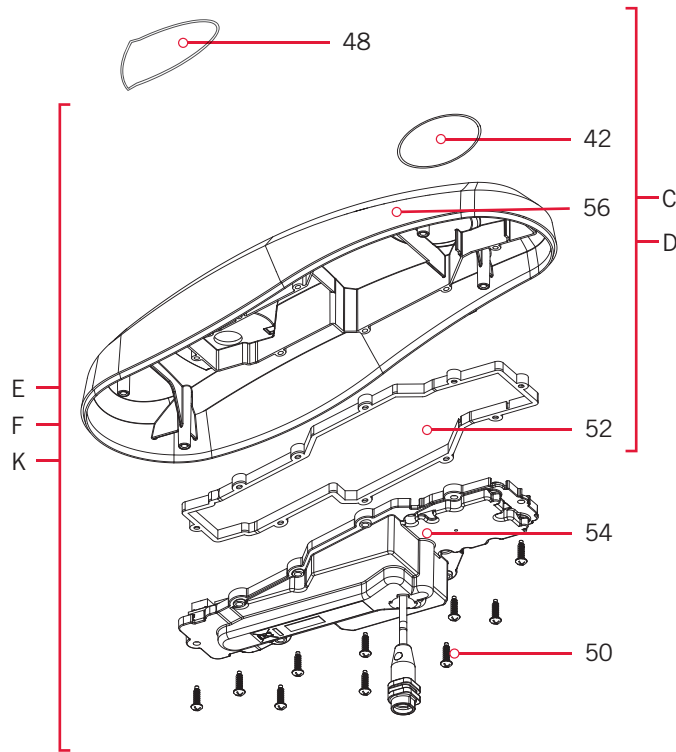
# PARTS DIAGRAM & PARTS LIST



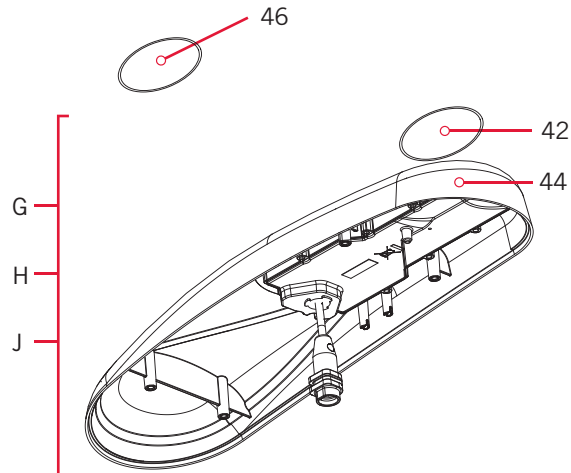
## i-PILOT LINK CONTROL HEAD

### Control Head Parts Diagram

#### Ultrex, Terrova & Riptide Terrova



#### Ulterra & Riptide Ulterra



## PARTS DIAGRAM & PARTS LIST

### › Control Head Parts List

Assembly	Part #	Description	Notes	Quantity
C	2770234	COVER KIT, IPLT 3.0 TRV,ULTREX	*FRESHWATER* *TERROVA* *ULTREX*	1
D	2770236	COVER KIT, IPLT 3.0 RT TERROVA	*SALTWATER* *RIPTIDE TERROVA*	1
E	2774177	MOTOR KIT, IPLT 3.0 TRV,ULTREX	*FRESHWATER* *TERROVA* *ULTREX* *ELECTRONICS & REMOTE*	1
F	2774179	MOTOR KIT, IPLT 3.0 RT TERROVA	*SALTWATER* *RIPTIDE TERROVA* *ELECTRONICS & REMOTE*	1
G	2774117	MOTOR KIT, IPILOT 3.0 ULTERRA	*FRESHWATER* *ULTERRA* *ELECTRONICS & REMOTE*	1
H	2774118	MOTOR KIT, IP 3.0 RT ULTERRA	*SALTWATER* *RIPTIDE ULTERRA* *ELECTRONICS & REMOTE*	1
J	2774115	iPILOT CONTROLLER 3.0 ULT/MSI	*FRESHWATER* *MSI* *ULTERRA*	1
K	2774184	IPLINK CONTROLLER 3.0 UTX/MSI	*FRESHWATER* *MSI* *ULTREX*	1
Item	Part #	Description	Notes	Quantity
42	2395547	DECAL, DOMED iPILOT LINK FW	*FRESHWATER* *ULTERRA* *I-PILOT* *ULTREX* *TERROVA*	1
	2395548	DECAL, DOMED iPILOT LINK SW	*SALTWATER* *RIPTIDE ULTERRA* *I-PILOT* *RIPTIDE TERROVA*	1
44	✘	CTRL HEAD ASY, IPLT 3.0 ULT	*FRESHWATER* *ULTERRA*	1
	✘	CTRL HEAD ASY, IP3.0 RT ULT	*SALTWATER* *RIPTIDE ULTERRA*	1
46	2205534	DECAL-GENERIC, PUSH BTN TOP FW	*FRESHWATER* *ULTERRA* *PUSH BUTTON*	1
	2205535	DECAL-GENERIC, PUSH BTN TOP SW	*SALTWATER* *RIPTIDE ULTERRA* *PUSH BUTTON*	1
48	2315730	DECAL-GENERIC, PUSH BTN TOP FW	*TERROVA* *ULTREX* *FRESHWATER*	1
	2315731	DECAL-GENERIC, PUSH BTN TOP SW	*RIPTIDE TERROVA* *SALTWATER*	1
50	2383473	SCREW-#6 X .5 BRASS HI-LO	*FRESHWATER* *SALTWATER* *RIPTIDE TERROVA* *ULTREX* *TERROVA*	10
52	2376940	GASKET,COMP-GPS MODULE	*FRESHWATER* *SALTWATER* *RIPTIDE TERROVA* *ULTREX* *TERROVA*	1
54	✘	CTRL ASY, IPLT 3.0 TER/UTX	*FRESHWATER* *ULTREX* *TERROVA* *SALTWATER* *RIPTIDE TERROVA*	1
	✘	CTRL HEAD ASY, IPLT 3.0 ULT	*FRESHWATER* *ULTERRA*	1
56	2290212	COVER,CTRL BOX IP, UTX, T2, V3	*FRESHWATER* *ULTREX* *TERROVA*	1
	2290213	COVER,CTRL BOX IP, ST/T2,SP/V3	*RIPTIDE TERROVA* *SALTWATER*	1

✘ This part is included in an assembly and cannot be ordered individually.