

PARTS DIAGRAM & PARTS LIST

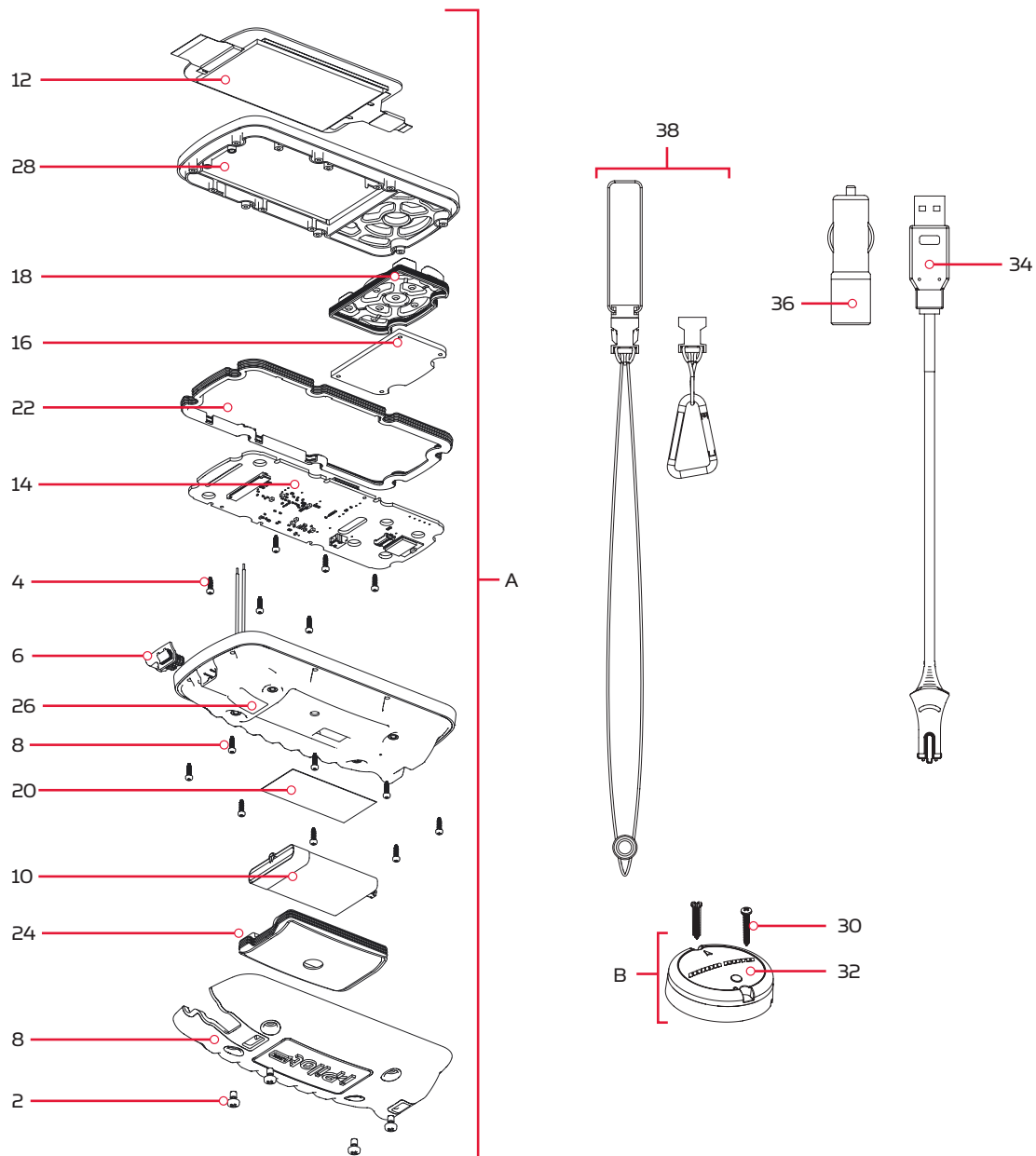
i-PILOT LINK

TERROVA, RIPTIDE TERROVA, ULTERRA, RIPTIDE ULTERRA & ULTREX

The parts diagram and parts list provides Minn Kota® WEEE compliance disassembly instructions. For more information about where you should dispose of your waste equipment for recycling and recovery and/or your European Union member state requirements, please contact your dealer or distributor from which your product was purchased. Tools required, but not limited to: flat head screwdriver, Phillips screwdriver, socket set, pliers, wire cutters.

i-PILOT LINK REMOTE & HEADING SENSOR

Remote & Heading Sensor Parts Diagram



PARTS DIAGRAM & PARTS LIST

Remote & Heading Sensor Parts List

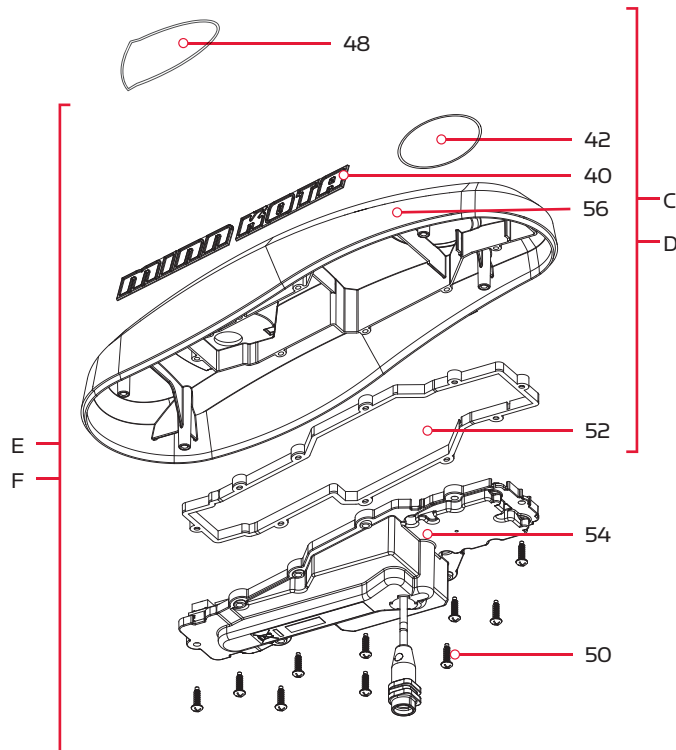
Assembly	Part #	Description	Quantity
A	2994076	REMOTE ASY, LINK TOUCHSCRN	1
B	2996400	HEADING SENSOR ASSEMBLY	1
Item	Part #	Description	Quantity
2	2383442	SCREW-3MM X .5 PPH MACHINE	4
4	2383471	SCREW-M2 X 7MM SS DELTA PT	14
6	2390200	DUST CAP, LINK TOUCH REMOTE	1
8	2390210	COVER, BATTERY, LINK TOUCH	1
10	2390710	BATTERY, LIPO PACK w/MOLEX	1
12	✖	DISPLAY-GLASS/PCAP/TFT ASM	1
14	✖	NRI-PCB ASY, iPILOT 3.0 REMOTE	1
16	✖	PCBA, BUTTON BRD, LINK TOUCH	1
18	✖	KEYPAD, LINK TOUCHSCREEN REMOTE	1
20	✖	DECAL, LINK BT REMOTE REG	1
22	✖	GASKET, CASE, LNK TOUCHSCREEN	1
24	2396910	GASKET, BATTERY, LINK TOUCH	1
26	✖	CASE, BACK ASY, LINK TOUCHSCRN	1
28	✖	BEZEL ASSY, LINK TOUCHSCREEN	1
30	2393400	SCREW-#8-18X1-1/2 PPH TY AB SS *STAINLESS STEEL*	2
32	✖	HEADING SENSOR	1
34	2373241	CABLE, USB REMOTE CHARGER LINK	1
36	2375901	ADAPTER, USB DC POWER LINK	1
38	2390800	LANYARD, REMOTE W/ CARABEENER	1

✖ This part is included in an assembly and cannot be ordered individually.

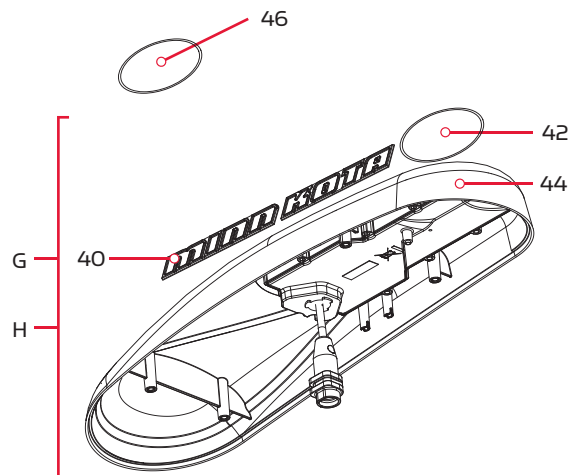
i-PILOT LINK CONTROL HEAD

Control Head Parts Diagram

Ultrex, Terrova & Riptide Terrova



Ulterra & Riptide Ulterra



PARTS DIAGRAM & PARTS LIST

Control Head Parts List

Assembly	Part #	Description	Quantity
C	2770211	COVER & DECAL KIT, IPLT LINK *FRESHWATER* *TERROVA* *ULTREX*	1
D	2770212	COVER & DECAL KIT, IPLT LINK *RIPTIDE TERROVA*	1
E	2774064	CONTROLLER, IPLT LINK *FRESHWATER* *TERROVA* *ULTREX*	1
F	2774068	CONTROLLER, IPLT LINK *SALTWATER* *RIPTIDE TERROVA*	1
G	2774166	CONTROLLER, IPLT LINK *FRESHWATER* *ULTERRA*	1
H	2774158	CONTROLLER, IPLT LINK *SALTWATER* *RIPTIDE ULTERRA*	1
Item	Part #	Description	Quantity
40	2325612	DECAL, CTRL BOX SIDE BT FW *FRESHWATER* *ULTERRA* *ULTREX* *TERROVA*	2
	2325613	DECAL, CTRL BOX SIDE BT SW *SALTWATER* *RIPTIDE ULTERRA* *RIPTIDE TERROVA*	2
42	2395522	DECAL, DOMED iPILOT LINK FW *FRESHWATER* *ULTERRA* *I-PILOT* *ULTREX* *TERROVA*	1
	2395523	DECAL, DOMED iPILOT LINK SW *SALTWATER* *RIPTIDE ULTERRA* *I-PILOT* *RIPTIDE TERROVA*	1
44	✘	CTRL HEAD ASY, IPLT 3.0 ULT *FRESHWATER* *ULTERRA*	1
	✘	CTRL HEAD ASY, IP3.0 RT ULT *SALTWATER* *RIPTIDE ULTERRA*	1
46	2205508	DECAL-GENERIC, PUSH BTN TOP FW *FRESHWATER* *ULTERRA* *PUSH BUTTON*	1
	2205509	DECAL-GENERIC, PUSH BTN TOP SW *SALTWATER* *RIPTIDE ULTERRA* *PUSH BUTTON*	1
48	2315698	DECAL-GENERIC, PUSH BTN TOP FW *TERROVA* *ULTREX* *FRESHWATER*	1
	2315699	DECAL-GENERIC, PUSH BTN TOP SW *RIPTIDE TERROVA* *SALTWATER*	1
50	2383473	SCREW-#6 X .5 BRASS HI-LO*FRESHWATER* *SALTWATER* *RIPTIDE TERROVA* *ULTREX* *TERROVA*	10
52	2376940	GASKET,COMP-GPS MODULE *FRESHWATER* *SALTWATER* *RIPTIDE TERROVA* *ULTREX* *TERROVA*	1
54	✘	CTRL ASY, IPLT 3.0 TER/UTX *FRESHWATER* *ULTREX* *TERROVA* *SALTWATER* *RIPTIDE TERROVA*	1
	✘	CTRL HEAD ASY, IPLT 3.0 ULT *FRESHWATER* *ULTERRA*	1
56	2290200	COVER,CTRL BOX IP, UTX, T2, V3 *FRESHWATER* *ULTREX* *TERROVA*	1
	2290201	COVER,CTRL BOX IP, ST/T2,SP/V3 *RIPTIDE TERROVA* *SALTWATER*	1

✘ This part is included in an assembly and cannot be ordered individually.