

► Motor Parts List

Assembly	Part #	Description	Notes	Quantity
A	2776271	MTR ASY 24V 4" 80# BS (WW2)FW	*80 LB*	1
B	2776261	MTR ASY 36V 4" 101# BS FW	*101 LB*	1
F	2889460	SEAL & O-RING KIT		1
G	1378132	PROP IND 2331160 WDLS WDG II		1
Item	Part #	Description	Notes	Quantity
2	421-276	HSG PLN END 4" PAINTED FW BS		1
4	992-010	WASHER - BELLEVILLE		2
6	990-045	SPACER - THRUST		1
8	140-010	BEARING - BALL		1
10	2-100-214	ARM ASSY 24V 4" 80# (WW2)	*80 LB*	1
	2-100-216	ARM ASSY 36V 4" 101#(WW2)	*101 LB*	1
12	788-040	RETAINING RING		1
14	701-043	O-RING		2
16	2-200-160	CTR HSG ASY 4.0 TXT-MAGNT	*80 LB*	1
	2-200-110	CTR HSG ASY 4.0 FW-MAGNET	*101 LB*	1
18	701-009	O-RING	*THRU-BOLT*	2
20	830-094	THRU BOLT 12-24 X10.31	*80 LB*	2
	830-096	THRU BOLT 12-24 X11.56 SS	*101 LB*	2
22	830-027	SCREW - SELF-THREAD 10-32X2.25		2
24	188-094	BRUSH W/TERMINAL		2
26	975-041	SPRING - TORSION		2
28	2-600-144	BRUSH PLATE ASSEMBLY		1
30	973-025	SPACER - BRUSHPLATE		2
32	990-051	WASHER - STEEL THRUST		1
34	990-052	WASHER - NYLATRON		1
36	144-017	BEARING - FLANGE		1
38	2-300-160	BRUSH END HSG ASY 4.0 FW TXT		1
40	880-025	SEAL		2
42	725-095	PAPER TUBE - SEAL BORE		1
44	2262658	PIN-DRIVE 1" X 3/16" S/S		1
46	2331160	PROP-WW2 (4") w/ADP.RING		1
48	2091701	WASHER-PROP (LARGE) MAX101		1
50	2093101	NUT-PROP,NYLOC,LG,MX101 3/8 SS		1
52	979-015	STRAIN RELIEF - BODY		1
54	2382900	GROMMET-SPLIT (EM)		1
56	9950339	CAP-MOTOR FITTING(FIN)		1

▲ Not shown on Parts Diagram.

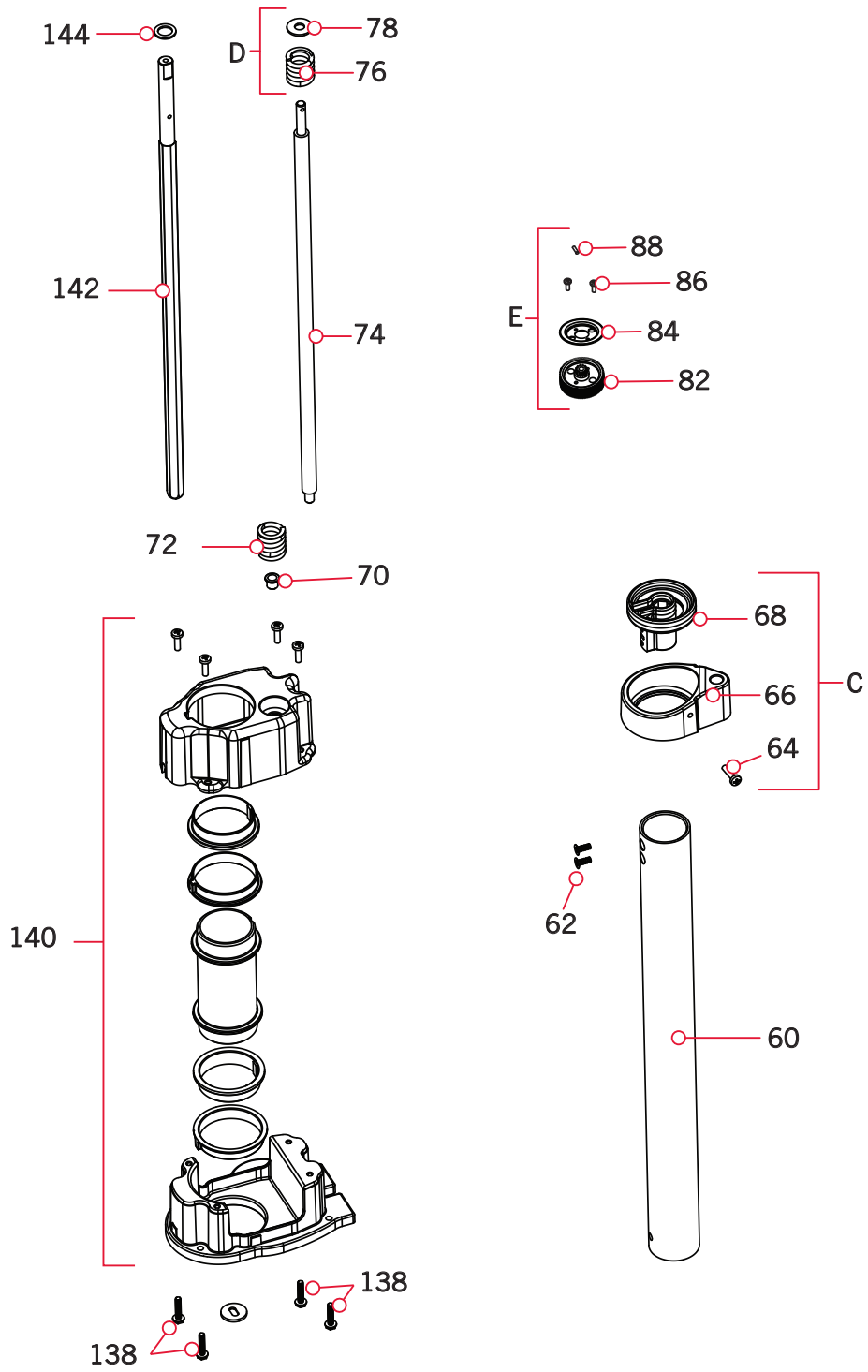
✳ This part is included in an assembly and cannot be ordered individually.

Item	Part #	Description	Notes	Quantity
58	2052010	TUBE-MOTOR, 1 3/4"		1
▲	637-057	CORD SET ASSY - VANTAGE 4"		1
▲	✘	RIVET-.25"		6
▲	2260730	CONNECTOR 1/4 MALE TAB QD		2
▲	230-037	CABLE CLAMP		1
▲	622-001	LEAD REST WASHER	*101 LB*	1

▲ Not shown on Parts Diagram.

✘ This part is included in an assembly and cannot be ordered individually.

> Interior Lift Parts Diagram



► Interior Lift Parts List

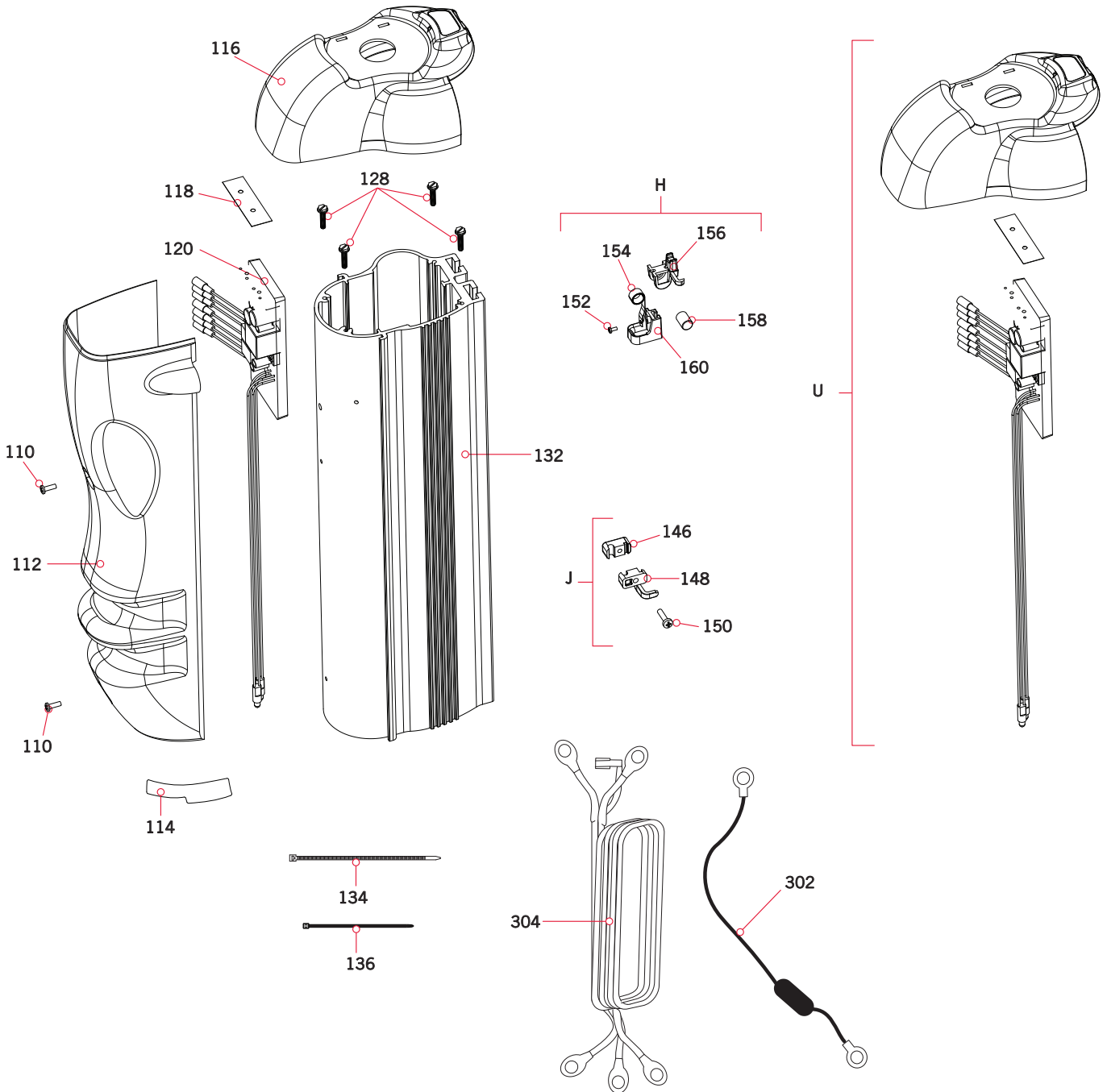
Assembly	Part #	Description	Notes	Quantity
C	2881510	YOKE/BEARING RACE KIT-VANTAGE		1
D	2770429	COIL SPRING/WASHER ASSEMBLY		1
E	2770427	CLUSTER GEAR ASSEMBLY		1
Item	Part #	Description	Notes	Quantity
60	2052010	TUBE-MOTOR, 1 3/4"		1
62	2053401	SCREW-#10 X 1/2,TP 25,PFHD,ZP		2
64	2353401	SCREW-#10-16 X 1/2 STALGD*		1
66	2051510	YOKE-LIFT SCREW		1
68	2056200	BEARING RACE-YOKE		1
70	2057302	BEARING-UPPER, LIFT SCREW		1
72	2052707	SPRING-COIL,SOFT STOP,VANTAGE		1
74	2053400	SCREW-LIFT, 1/2-10 ACME		1
76	2052707	SPRING-COIL,SOFT STOP,VANTAGE		1
78	2051727	WASHER-CTR ID.39 OD 1.07 X.171		1
80	2051703	WASHER-THRUST ID.315,OD.562		1
82	2058405	FLANGE-PULLEY (VANTAGE)		1
84	2052202	PULLEY-CLUSTER		1
86	2053411	SCREW-#4-40 X 1/4 PPH ZP		2
88	2052631	PIN, DRIV-LOK 1 1/2 X 3/16 ZP		1
138	2053413	SCREW-#10-16 x 1" TYPE AB,HEX		4
140	2990420	LOWER SUPPORT CAGE ASSY		1
142	2052001	SHAFT-STEERING, VANTAGE		1
144	2051706	WASHER-SPRING SUPPORT		1

▲ Not shown on Parts Diagram.

✘ This part is included in an assembly and cannot be ordered individually.

VANTAGE HOUSING & CONTROL BOARD >

> Housing & Control Board Parts Diagram



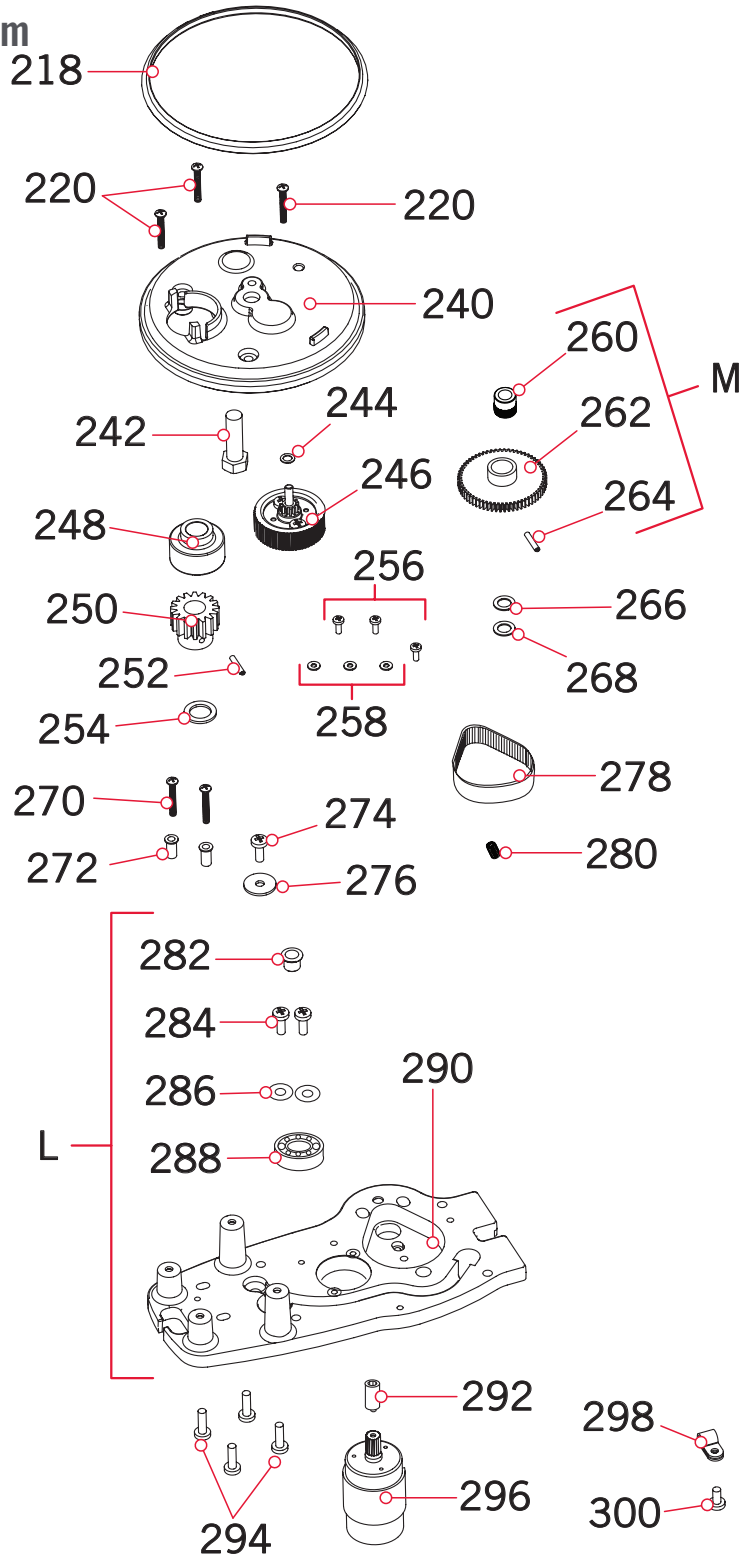
› Housing & Control Board Parts List

Assembly	Part #	Description	Notes	Quantity
H	2990400	TAPE SPRING ASSY(VANTAGE)		1
J	2883200	WIRE CLAMP LEFT/RIGHT KIT		1
U	2774041	CTRL BOARD ASSY W/PAD-24V MAIN		1
Item	Part #	Description	Notes	Quantity
110	2053414	SCREW-#8-32 X 1/2 TRI-LOBE PPH		2
112	2050220	SHIELD-EXTRUSION, VANTAGE		1
114	2055613	DECAL-SHIELD, VANTAGE		2
116	2050211	SHROUD-CONTROL HEAD		1
118	2315105	INSULATING PAD		1
120	2054041	CTRL BRD ASY,24/36V -MAIN		1
122	2053407	SCREW-#8-32 X .75 PPH ZP		1
124	2052512	CABLE CLAMP,1/2" VANTAGE		1
126	2053415	SCREW-#8-32 X 3/8 TRI-LOBE PPH		1
128	2053413	SCREW-#10-16 x 1" TYPE AB,HEX		4
130	2050225	SHIELD-WIRE, VANTAGE		1
132	2056505	HOUSING EXTRUSION,MACH		1
134	2256300	TIE WRAP-6.0" BLACK		1
136	9950433	TIE WRAP-4" BLACK		1
146	2053200	WIRE CLAMP, LEFTHAND		1
148	2053205	WIRE CLAMP, RIGHTHAND		1
150	2053417	SCREW-#10-16 x 3/4 TYPE BT,PPH		1
152	2053418	SCREW-#4-40 X 1/4 TYPE F,PPH		1
154	2052705	SPRING, CONSTANT FORCE		1
156	2051920	BRACKET-SPRING		1
158	2052610	PIN-PIVOT 7/16 O.D.		1
160	2052305	WIRE GUIDE, ABS BLK (VANTAGE)		1
302	2340610	CONNECTOR CABLE-(12")		1
304	2051220	LEADWIRE,24/36V,3 CONDUCTOR		1
▲	2301520	INSERT-THREADED BRASS		1
▲	2055800	LABEL-WIRING DIAGRAM 24V VNTG	*80 LB*	1
▲	2055801	LABEL-WIRING DIAGRAM 36V VNTG	*101 LB*	1
▲	2015800	HANG TAG "CAUTION..TILT HINGE"		1

▲ Not shown on Parts Diagram.

* This part is included in an assembly and cannot be ordered individually.

> Upper Trim Parts Diagram



» Upper Trim Parts List

Assembly	Part #	Description	Notes	Quantity
L	2770405	TOP PLATE ASSY (VANTAGE)		1
M	2882200	GEAR-LIFT/PIN KIT-VANTAGE		1
Item	Part #	Description	Notes	Quantity
218	2054600	O-RING, GEAR HOUSING		1
220	2053402	SCREW-#10-24 X 1" TRI-LOBE,Z/P		3
240	2996520	GEAR HOUSING/BEARING ASSY		1
242	2383500	BOLT-3/8-16 X 1.25		1
244	2051732	WASHER SS ID.195 OD.278 X .016		1
246	2052202	PULLEY-CLUSTER		1
248	2052210	ROLLER-STEERING SHAFT,DELTRIN		1
250	2052205	GEAR,STEERING TUBE,MACH'D		1
252	2052616	PIN-DRIV-LOK 1/8 X 1 1/8		1
254	2051706	WASHER-SPRING SUPPORT		1
256	2053422	SCREW-M3-.5 X 10 PPH, ZPS		3
258	2051710	LOCKWASHER-SPLIT, 3MM, ZP		3
260	2057307	BUSHING,GEAR,BRASS		1
262	2052200	GEAR-LIFT (LEAD SCREW)		1
264	2052620	PIN-DRIV-LOK 1/8 X 5/8		1
266	2051703	WASHER-THRUST ID.315,OD.562		1
268	2051705	WASHER-NYLON ID.312xOD.5x.031		1
270	2053407	SCREW-#8-32 X .75 PPH ZP		2
272	2261712	WASHER-SHOULDER/MAXXUM FT PDL		2
274	2053415	SCREW-#8-32 X 3/8 TRI-LOBE PPH		1
276	2051716	WASHER-FENDER #10, STL/ZP		1
278	2050800	BELT-DRIVE (VANTAGE)		1
280	2053420	SCREW-SET-#8-32 X 1/4" S/S		1
282	2057302	BEARING-UPPER, LIFT SCREW		1
284	2053414	SCREW-#8-32 X 1/2 TRI-LOBE PPH		2
286	2051717	WASHER-#8 SAE FLAT, ZP		2
288	2057306	BEARING-BALL (R8-2RS)		1
290	2991927	TOP PLATE/BEARING ASSY		1
292	2058411	TENSIONER-BELT (VANTAGE)		1
294	2012100	SCREW-#8-18 X 5/8 THD CUT*Z/P		4
296	2777812	LIFT MOTOR ASSY,VANTAGE		1
298	2052510	CABLE CLAMP, 3/16", NYLON		1
300	2053415	SCREW-#8-32 X 3/8 TRI-LOBE PPH		1

▲ Not shown on Parts Diagram.

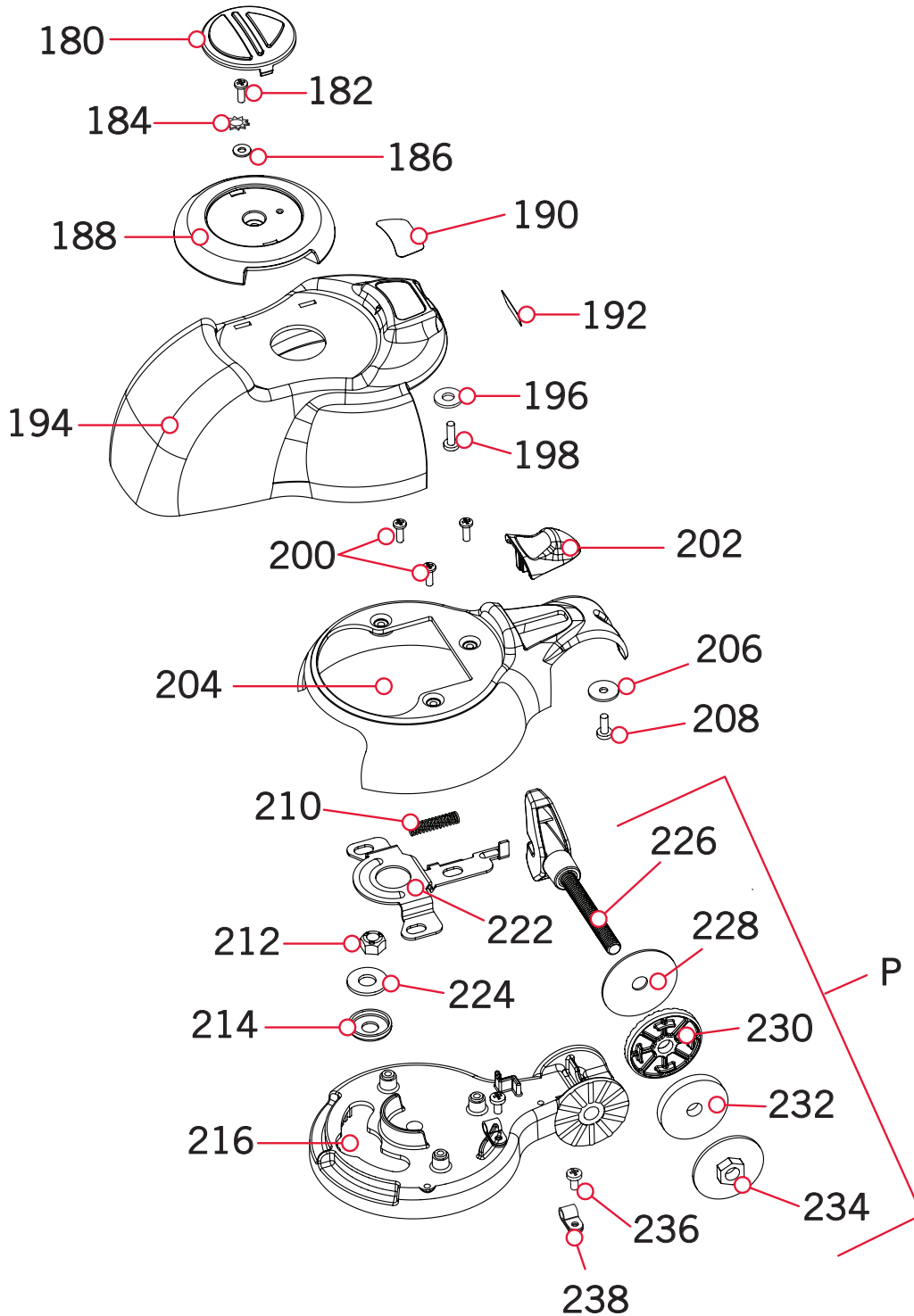
✳ This part is included in an assembly and cannot be ordered individually.

Item	Part #	Description	Notes	Quantity
▲	2057100	MANUAL (12/24/36V) VANTAGE		1
▲	2015800	HANG TAG "CAUTION..TILT HINGE"		1
▲	2054908	PARTS LIST,VANTAGE 80, 101#		1
▲	2006809	PRODUCT LABELS,"CAUTION HEAVY"		1

▲ Not shown on Parts Diagram.

✘ This part is included in an assembly and cannot be ordered individually.

> Steering Cover Parts Diagram



› Steering Cover Parts List

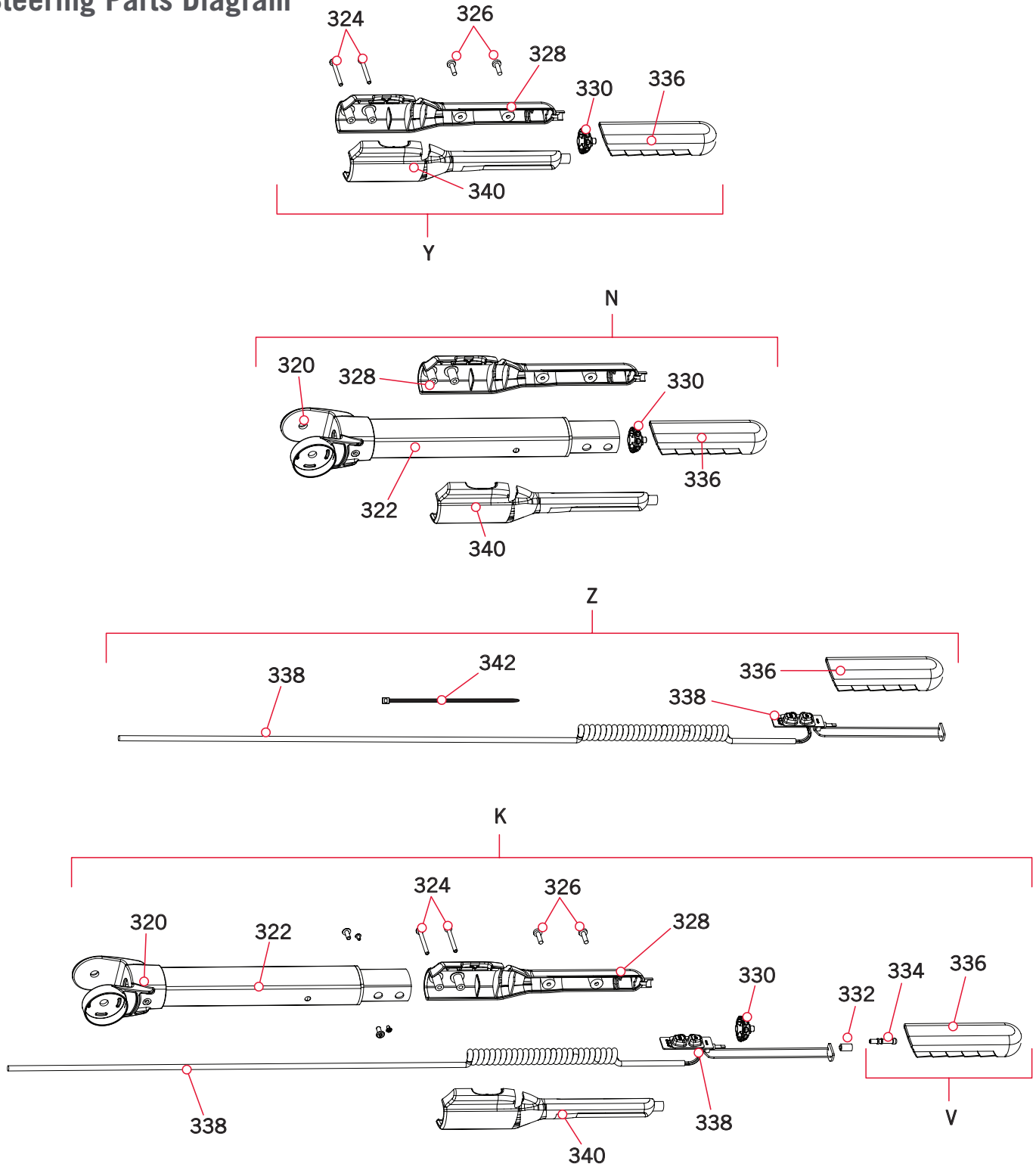
Assembly	Part #	Description	Notes	Quantity
L	2770405	TOP PLATE ASSY (VANTAGE)		1
M	2882200	GEAR-LIFT/PIN KIT-VANTAGE		1
P	2880921	HANDLE TENSION KNOB KIT		1
Item	Part #	Description	Notes	Quantity
180	2056701	PLUG, POINTER, VANTAGE		1
182	2332101	SCREW-#8-32 X 1/2 (SS)		1
184	2371715	LOCKWASHER-STAR #8 ZINC		1
186	2051717	WASHER-#8 SAE FLAT, ZP		2
188	2050110	KNOB-POINTER,VANTAGE/PRIME PWR		1
190	2055606	DECAL-COVER, 24V VANTAGE	*80 LB*	1
	2055607	DECAL-COVER, 36V VANTAGE	*101 LB*	1
192	2055610	DECAL-COVER, LED		1
194	2050211	SHROUD-CONTROL HEAD		1
196	2051712	WASHER-BULB ID.152,OD.50,.060		1
198	2302100	SCREW-#6-20 X 1/2 THD CUTS		1
200	2053415	SCREW-#8-32 X 3/8 TRI-LOBE PPH		3
202	2050102	KNOB-LATCH (VANTAGE)		1
204	2050200	COVER-CONTROL HEAD		1
206	2051716	WASHER-FENDER #10, STL/ZP		1
208	2353401	SCREW-#10-16 X 1/2 STALGD*		1
210	2052711	SPRING, LATCH RETURN		1
212	2053107	NUT-3/8-16, TOPLOCK		1
214	2151730	WASHER-CUP(HINGE BRACKET)		1
216	2056510	CAP-UPPER, GEAR HOUSING		1
222	2057200	LATCH (VANTAGE)		1
224	2051737	WASHER-FLAT,ID.406 X OD.875		1
226	2050921	HANDLE, TENSION, LONG		1
228	2051737	WASHER-FLAT,ID.406 X OD.875		1
230	2050015	RACHET-DISK, HANDLE ASSY		1
232	2051736	WASHER-SPACER,ID.4 X OD 1.8		1
234	2053115	NUT-WASHER, HANDLE ASSY		1
236	2053415	SCREW-#8-32 X 3/8 TRI-LOBE PPH		1
238	2052510	CABLE CLAMP, 3/16", NYLON		1
▲	2057100	MANUAL (12/24/36V) VANTAGE		1
▲	2015800	HANG TAG "CAUTION..TILT HINGE"		1
▲	2054908	PARTS LIST,VANTAGE 80, 101#		1
▲	2006809	PRODUCT LABELS,"CAUTION HEAVY"		1

▲ Not shown on Parts Diagram.

* This part is included in an assembly and cannot be ordered individually.

VANTAGE STEERING >

> Steering Parts Diagram



› Steering Parts List

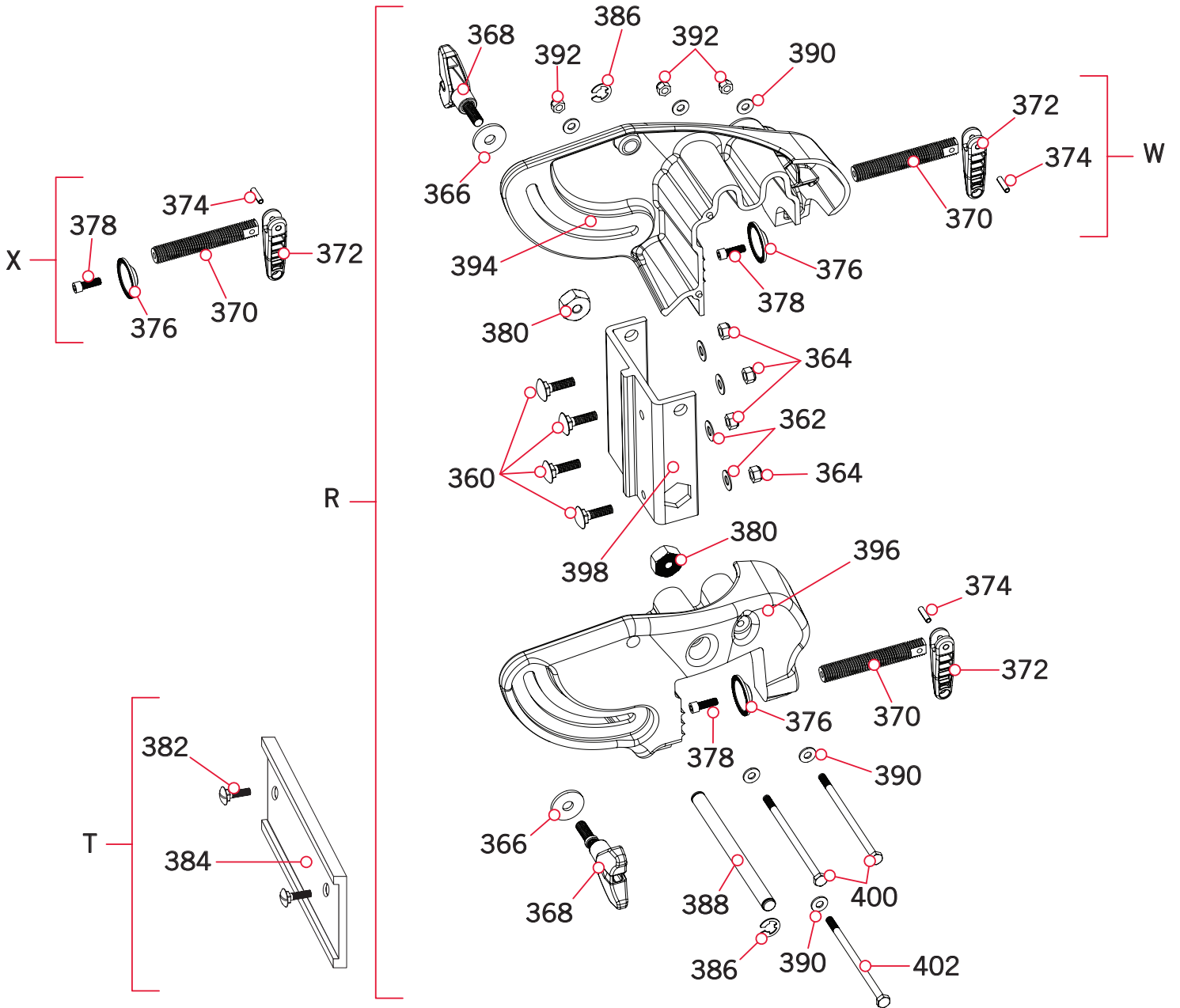
Assembly	Part #	Description	Notes	Quantity
K	2770950	HANDLE/CTRL BOARD ASSY		1
N	2880922	HANDLE ASSEMBLY, VANTAGE		1
V	2880424	HANDLE GRIP, VANTAGE KIT		1
Y	2880910	HANDLE-LEFT/RIGHT KIT, VANTAGE		1
Z	2884106	CTRL BOARD ASSY-HANDLE GRIP		1
Item	Part #	Description	Notes	Quantity
320	✘	KNUCKLE-HANDLE, VANTAGE		1
322	✘	TUBE-OUTER, HANDLE, VANTAGE		1
324	2053412	SCREW-#8 X 1.5" TYPE 25 PPH		2
326	2012100	SCREW-#8-18 X 5/8 THD CUT*Z/P		2
328	2050911	HANDLE-LEFT, VANTAGE		1
330	2050111	KNOB-SPEED CTRL,PAD PRINT		1
332	2055115	BUTTON SWITCH ACTUATOR		1
334	2053700	PLUNGER, ON/OFF		1
336	2060424	GRIP-HANDLE, VANTAGE		1
338	2994005	CTRL BOARD ASSY-HANDLE		1
340	2050916	HANDLE-RIGHT, VANTAGE		1
342	9950433	TIE WRAP-4" BLACK		1
▲	2004975	INSTRUCTION-HANDLE/TENSION KNB		1

▲ Not shown on Parts Diagram.

✘ This part is included in an assembly and cannot be ordered individually.

VANTAGE MOUNTING BRACKET >

> Mounting Bracket Parts Diagram



► Mounting Bracket Parts List

Assembly	Part #	Description	Notes	Quantity
R	2991822	TRANSOM BRACKET ASSEMBLY		1
T	2994844	BAG ASSY,TRANSOM EXTRUSION	*101 LB*	1
W	2990415	CLAMP SCREW SUB-ASSY		1
X	2880925	HANDLE/CLAMP SCREW KIT		1
Item	Part #	Description	Notes	Quantity
360	2053511	BOLT-CARRIAGE 5/16-18 1" ZP	*NOT PART OF ASSEMBLY R*	4
362	2151726	WASHER-5/16 STD (S/S)	*NOT PART OF ASSEMBLY R*	4
364	2053103	NUT-5/16-18 NYLOC STL/ZNC PLT	*NOT PART OF ASSEMBLY R*	4
366	2051715	WASHER-FENDER 1.25x.41x.12		2
368	2050922	HDLE-TENSION,SHRT VANTAGE		2
370	2051300	SCREW-CLAMP -5/8X4 DIA ZP		2
372	2050925	HANDLE-CLAMP SCREW		2
374	2052625	PIN-COILED SPRNG 3/16x.75		2
376	2011710	WASHER-CLAMP SCREW(1.5 OD		2
378	2263402	SCREW-1/4-20 X 3/4" ZINC		2
380	2053105	NUT-BRACKET,YELLOW ZINC PLATE		2
382	2053421	SCREW-1/4-14 X 1" PFH,TY-AB SS	*101 LB*	2
384	2058415	TRANSOM EXTRUSION	*101 LB*	1
386	2053210	E-RING, ZINC PLT FOR 1/2 DIA.		2
388	2050500	HINGE PIN, 1/2" TURNED ENDS ZP		1
390	2051722	WASHER-1/4" SAE FLAT ZPS		6
392	9905212	NUT-1/4-20 NYLOC JAM		3
394	2051945	BRACKET,TRANSON,LH,MACHINED		1
396	2051955	BRACKET,TRANSON,RH,MACHINED		1
398	2051801	HINGE, EXTRUSION, 36V VANTAGE		1
400	2053509	BOLT-THRU 1/4-20x5.5" HHCS ZPS		2
402	2053510	BOLT-THRU 1/4-20 X 5" HHCS ZP		1

▲ Not shown on Parts Diagram.

✘ This part is included in an assembly and cannot be ordered individually.