

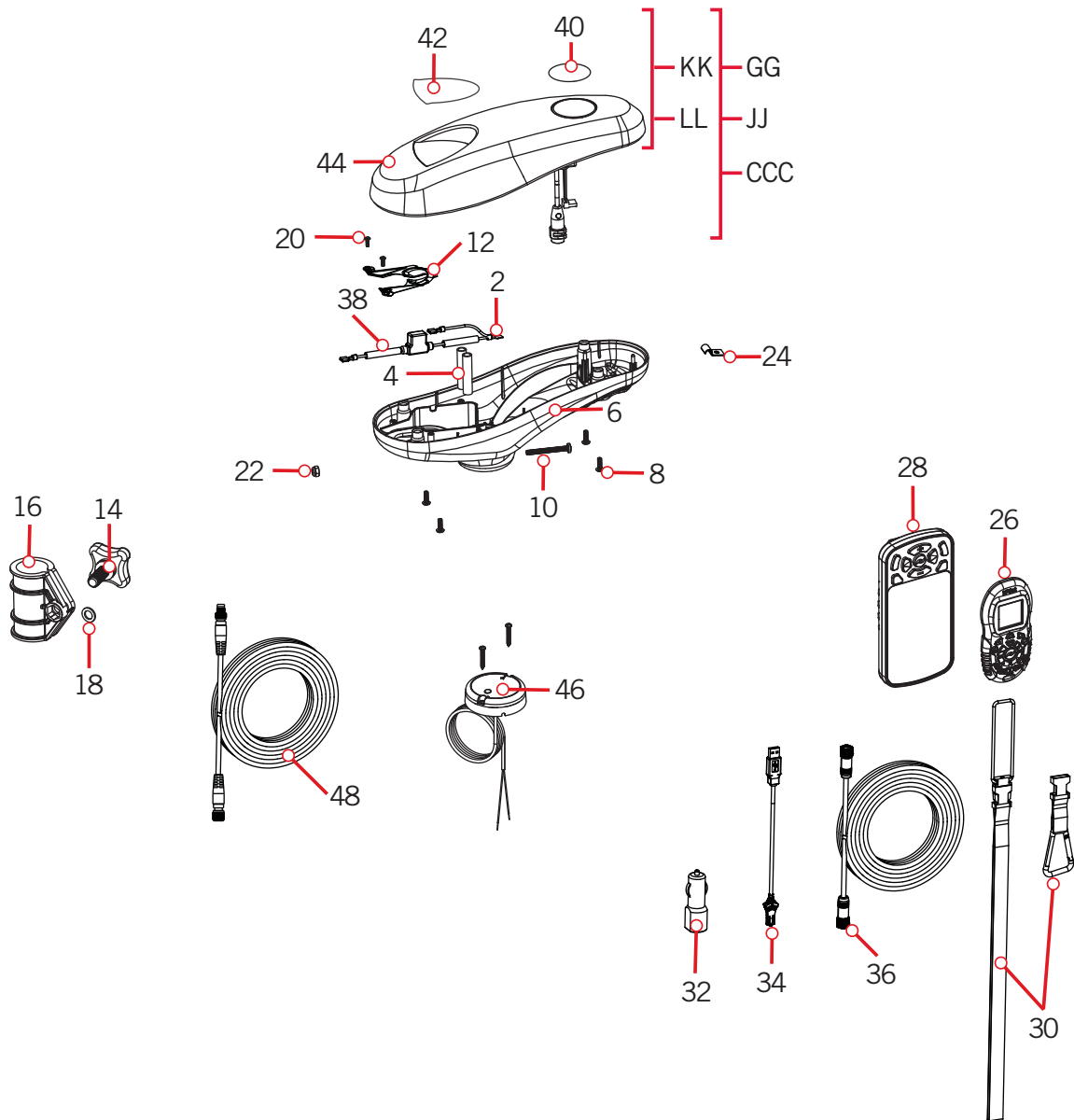
PARTS DIAGRAM & PARTS LIST

ULTREX - 80/112 LBS THRUST - 24/36 VOLT - 45"/52"/60" SHAFT

The parts diagram and parts list provides Minn Kota® WEEE compliance disassembly instructions. For more information about where you should dispose of your waste equipment for recycling and recovery and/or your European Union member state requirements, please contact your dealer or distributor from which your product was purchased. Tools required, but not limited to: flat head screwdriver, Phillips screwdriver, socket set, pliers, wire cutters.

ULTREX CONTROL HEAD >

> Control Head Parts Diagram



PARTS DIAGRAM & PARTS LIST

Control Head Parts List

Assembly	Part #	Description	Notes	Quantity
GG	2774176	I-PILOT CONTROLLER 1.6 TRV, UTX	◆ *i-PILOT* *COMPLETE ASSEMBLY*	1
JJ	2774177	I-LINK CONTROLLER 3.0 TRV, ULTX	● *i-PILOT LINK* *COMPLETE ASSEMBLY*	1
CCC	2774184	IPLINK CONTROLLER 3.0 UTX/MSI	● * *i-PILOT LINK* *MSI*	1
KK	2770233	COVER KIT, IPLT 1.6 TRV, ULTREX	◆ *i-PILOT* *COVER & DECALS ONLY*	1
LL	2770234	COVER KIT, IPLT 3.0 TRV, ULTREX	◆ *i-PILOT LINK* *COVER & DECALS ONLY*	1
Item	Part #	Description	Notes	Quantity
▲	✘	SEAL, BUNG LOWER		1
▲	✘	SEAL, BUNG UPPER		1
2	2218201	FUSE HOLDER ASSEMBLY		1
4	2065400	WIRE INSULATOR-LGE 1-3/4, BLUE		2
6	2292500	CONTROL BOX, ULTREX, T2		1
8	2372100	SCREW-#8-18 X 5/8 THD* SS		22
10	2263406	SCREW-#10-24 x 1-7/8 PPH SS		1
12	2224706	INSERT-PLUG		1
14	2290900	KNOB SOFT GRIP 4LOBE		1
16	2291500	DEPTH COLLAR 1.3 X 3.0		1
18	2321702	WASHER-FLAT, .375 NYLON		1
20	2372103	SCREW #6 X 3/8 PLASTITE		2
22	2333101	NUT-HEX #10-24 UNC-2B NYL SS		1
24	2052510	CLAMP CABLE 3-16 IN		1
	2052511	CLAMP CABLE 1/4 IN	*MDI*	1
26	2994075	REMOTE ASSY, IPILOT 1.6	◆	1
28	2994076	REMOTE ASSY, IPILOT LINK	◆ *LINK ONLY*	1
30	2390800	LANYARD, w/ CARABEENER, IP REMOTE		1
32	2395900	ADAPTER, USB DC POWER	◆ *LINK ONLY*	1
34	2373241	CABLE, USB REMOTE CHARGER	◆ *LINK ONLY*	1
36	490389-1	CABLE, ETHERNET, 30'	◆ *LINK ONLY*	1
38	2375400	SHRINK TUBE-1/4 OD X 1-3/4		2
40	2395545	DECAL, DOMED iPILOT FW		1
	2395547	DECAL, DOMED iPILOT LINK FW		1
42	2295502	DECAL, PUSH BTN TOP, UTX 80# FW		1
	2295503	DECAL, PUSH BTN TOP, UTX 112# FW		1
44	✘	CVR, CTRL BX IP, UTX	*SEE KK OR LL*	1
46	2996400	HEADING SENSOR ASSEMBLY		1

▲ Not shown on Parts Diagram.

✘ This part is included in an assembly and cannot be ordered individually.

◆ Only available with models factory installed with i-Pilot.

● Only available with models factory installed with i-Pilot Link.

✚ Only available with models factory installed with Universal Sonar.

➔ Only available with models factory installed with Built-in MEGA Down Imaging.

* Only available with models factory installed with Built-in MEGA Side Imaging.

PARTS DIAGRAM & PARTS LIST



Item	Part #	Description	Notes	Quantity
48	2211410	CABLE-EXT, US2 MAX 175"	✚ *US2*	1
	490507-2	CABLE, ADP-INT MDI 14 M12-174"	➔ *MDI*	1
	490516-3	CABLE, ADP-INT MSI 14 M12-156"	* *MSI*	1
▲	2297165	MANUAL DISCLAIMER DOWNLOAD INFO		1
▲	2297161	QUICK REF, INSTALL GUIDE ULTREX		1
▲	2297160	MANUAL, ULTREX		1
▲	2397100	MANUAL iPILOT 1.6	◆	1
▲	2397106	GUIDE, QUICK REF iPILOT 1.6	◆	1
▲	2397102	MANUAL iPILOT LINK 3.0	●	1
▲	2397107	GUIDE, QUICK REFERENCE LINK 3.0	●	1
▲	2394900	INSTRUCTIONS, HEADING SENSOR		1
▲	2205810	DECAL, MINNKOTA 12" PROMO		1

▲ Not shown on Parts Diagram.

✚ This part is included in an assembly and cannot be ordered individually.

➔ Only available with models factory installed with i-Pilot.

◆ Only available with models factory installed with i-Pilot Link.

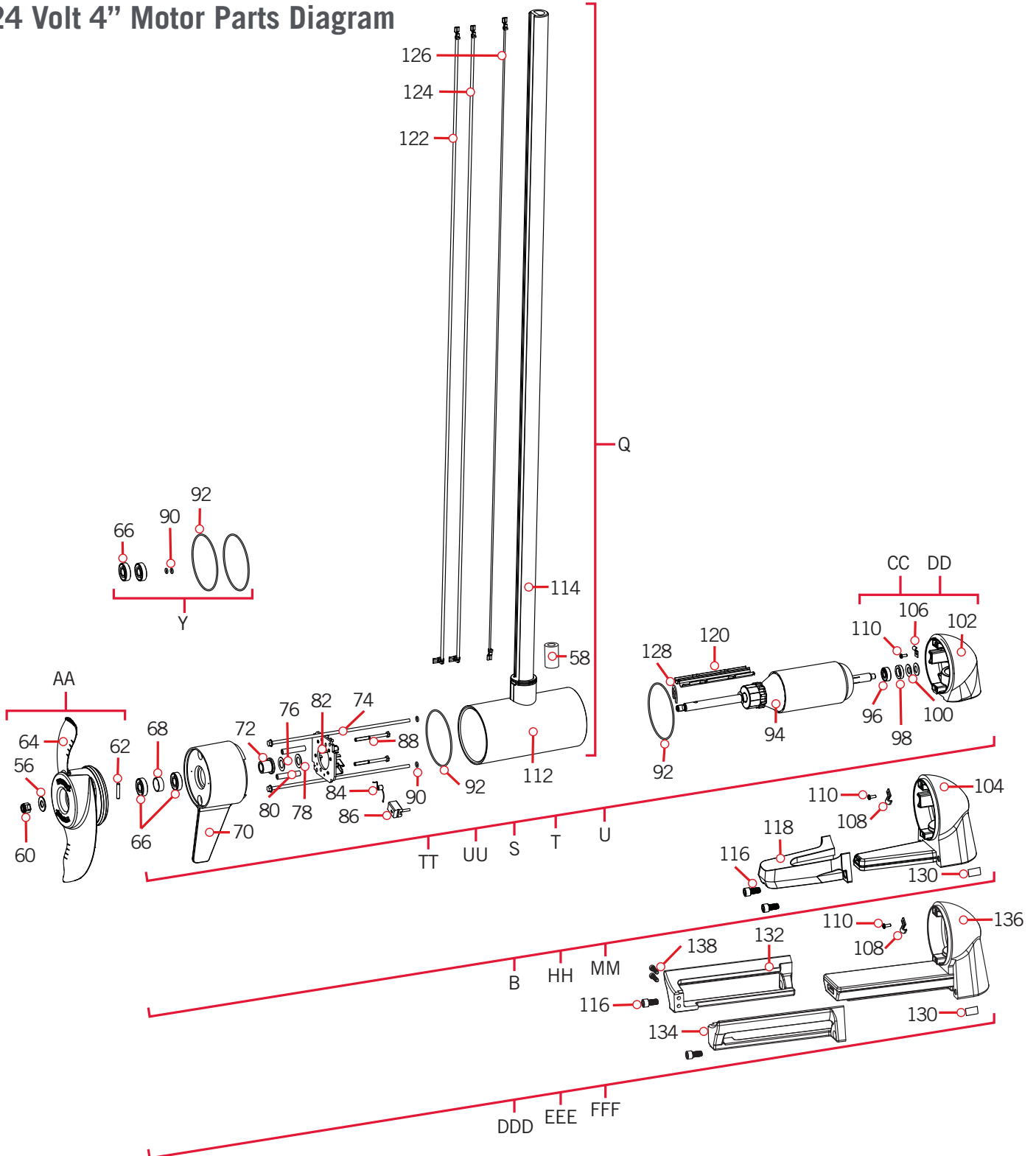
✚ Only available with models factory installed with Universal Sonar.

➔ Only available with models factory installed with Built-in MEGA Down Imaging.

* Only available with models factory installed with Built-in MEGA Side Imaging.

ULTREX 24 VOLT 4" MOTOR

24 Volt 4" Motor Parts Diagram



PARTS DIAGRAM & PARTS LIST

24 Volt 4" Motor Parts List

Assembly	Part #	Description	Notes	Quantity
Q	2777095	CTR HSG ASY, CB 80#, FW 60" TUBE	*CENTER SECTION & TUBE* *CUT TO LENGTH* *NOT FOR M SKU*	1
S	2777005	80#/45" 24V MOTOR US2	*MOTOR & TUBE*	1
T	2777003	80#/52" 24V MOTOR US2	*MOTOR & TUBE*	1
U	2777017	MTR/TUBE ASSY 80# 60" UTX/US2	*MOTOR & TUBE*	1
TT	2777011	MTR/TUBE ASM 80# 52" UTX/US2-M	*MOTOR & TUBE* *M SKU*	1
UU	2777010	MTR/TUBE ASM 80# 60" UTX/US2-M	*MOTOR & TUBE* *M SKU*	1
Y	2889460	80# THRUST SEAL KIT		1
AA	1378132	80# THRUST PROP KIT		1
CC	9421-287	PLN END HSG/TRANSDUCER ASY 4.0 45"	*80LB* *NOT FOR M SKU*	1
DD	9421-290	PLN END HSG/TRANSDUCER ASY 4.0 52"/60"	*80LB* *NOT FOR M SKU*	1
B	2777133	MTR/TUBE ASM 80# 60" UTX/MDI BT	➔ *60"* *MDI*	1
HH	2777131	MTR/TUBE ASM 80# 52" UTX/MDI BT	➔ *52"* *MDI*	1
MM	2777135	MTR/TUBE ASM 80# 45" UTX/MDI BT	➔ *45"* *MDI*	1
DDD	2777138	MRT/TUBE ASM 80# 45" UTX/MSI BT	* *45"* *MSI*	1
EEE	2777139	MRT/TUBE ASM 80# 52" UTX/MSI BT	* *52"* *MSI*	1
FFF	2777140	MRT/TUBE ASM 80# 60" UTX/MSI BT	* *60"* *MSI*	1
Item	Part #	Description	Notes	Quantity
56	2091701	WASHER-PROP (LARGE)		1
58	✘	BEAD-FERRITE		1
60	2093101	NUT-PROP,NYLOC,LG,MX101 3/8 SS		1
62	2262658	PIN-DRIVE 1" X 3/16" S/S		1
64	2331161	PROP-WW2 (4") w/ADP.RING (SUB)	*80LB*	1
66	880-025	SEAL	*80 LB*	2
68	725-095	PAPER TUBE, SEAL		1
70	92-300-170	BRUSH END HSG, 80#		1
72	144-017	BEARING, FLANGE		1
74	830-095	THRU BOLT 12-24		2
76	990-052	WASHER, NYLATRON		1
78	990-051	WASHER-STEEL THRUST		1
80	973-025	SPACER, BRUSHPLATE		2
82	9-738-015	BRUSH PLATE ASSY, 4"		1
84	975-041	SPRING-TORSION	*80LB*	2
86	186-094	BRUSH 4"		2
88	830-027	SCREW-BRUSH PLATE 10-32		2
	830-110	SCREW-5/16-18 X 5/8 SHCS SS		2

▲ Not shown on Parts Diagram.

✘ This part is included in an assembly and cannot be ordered individually.

◆ Only available with models factory installed with i-Pilot.

● Only available with models factory installed with i-Pilot Link.

✚ Only available with models factory installed with Universal Sonar.

➔ Only available with models factory installed with Built-in MEGA Down Imaging.

* Only available with models factory installed with Built-in MEGA Side Imaging.

PARTS DIAGRAM & PARTS LIST



Item	Part #	Description	Notes	Quantity
90	701-009	O-RING, THRU BOLTS		2
92	701-043	O-RING, END HOUSINGS		2
94	2-100-214	ARMATURE ASSY	*80LB* *24V*	1
96	140-010	BEARING - BALL		1
98	990-045	SPACER, THRUST	*80LB*	1
100	992-010	WASHER, SPRING BELLEVILLE		2
102	✘	PLN END HSG-PNTD-4" US2.5 CB	*SEE CC or DD*	1
104	✘	PLAIN END HOUSING PAINTED 4.0 MDI	➔ *SEE B, HH or MM*	1
106	230-038	CABLE CLAMP, STEEL	*US2*	1
108	230-039	CABLE CLAMP	➔ * *MDI* *MSI*	1
110	2302104	SCREW-#6 X 3/8		1
112	✘	CTR HSG ASY 4.0" FW MGNTZ(SUB)	*SEE Q* *NA FOR MDI AND M SKU*	1
114	✘	TUBE-COMP, BLK, 45", w 1/4" WALL 80#	*SEE Q* *NA FOR MDI AND M SKU*	1
	✘	TUBE-CMP, BLK 60" 1/4" WALL 80#	*SEE Q* *NA FOR MDI AND M SKU*	1
	✘	TUBE-CMP, BLK 54" 1/4" WALL 80#	*M SKU* *NA FOR MDI AND M SKU*	1
	✘	TUBE-CMP, BLK 60" 1/4" WALL 80#	*M SKU* *NA FOR MDI AND M SKU*	1
	✘	TUBE-CMP, BLK, 60", 1/4, SI		1
	✘	TUBE-CMP, BLK, 52", 1/4, SI		1
	✘	TUBE-CMP, BLK, 45", 1/4, SI		1
116	830-110	SCREW 5-16 - 18 X 5/8 SHCS SS	➔ *	2
118	792-001	GUARD TRANSDUCER, PNT 4.0 DI	➔	1
120	582-013	CLIP, RETAINING SHORT		1
122	640-118	MOTOR WIRE, RED, 80#, 45"		1
	640-132	MOTOR WIRE, RED, 80#, 52"		1
	640-138	MOTOR WIRE, RED, 80#, 60"		1
124	640-016	MOTOR WIRE, BLACK, 80#, 45"		1
	640-017	MOTOR WIRE, BLACK, 80#, 52"		1
	640-021	MOTOR WIRE, BLACK, 80#, 60"		1
126	640-315	BONDING WIRE, BROWN, US2.0, 45"		1
	640-316	BONDING WIRE, BROWN, US2.0, 60" 52"		1
128	788-040	RETAINING RING		1
130	2006621	DECAL-LOWER-UNIT, MDI	➔ * *MDI* *MSI*	1
132	792-015	GUARD, TRNDCR, PNT SI R	* *MSI*	1
134	792-016	GUARD, TRNDCR, PNT SI L	* *MSI*	1
136	✘	PLN END HSG/TRNDCR 4.0 MSI ASM	* *MSI* *SEE DDD, EEE or FFF*	1
138	2063410	SCREW-# 10-32 X 3/4" CAP SS	* *MSI*	2

▲ Not shown on Parts Diagram.

✘ This part is included in an assembly and cannot be ordered individually.

◆ Only available with models factory installed with i-Pilot.

● Only available with models factory installed with i-Pilot Link.

✚ Only available with models factory installed with Universal Sonar.

➔ Only available with models factory installed with Built-in MEGA Down Imaging.

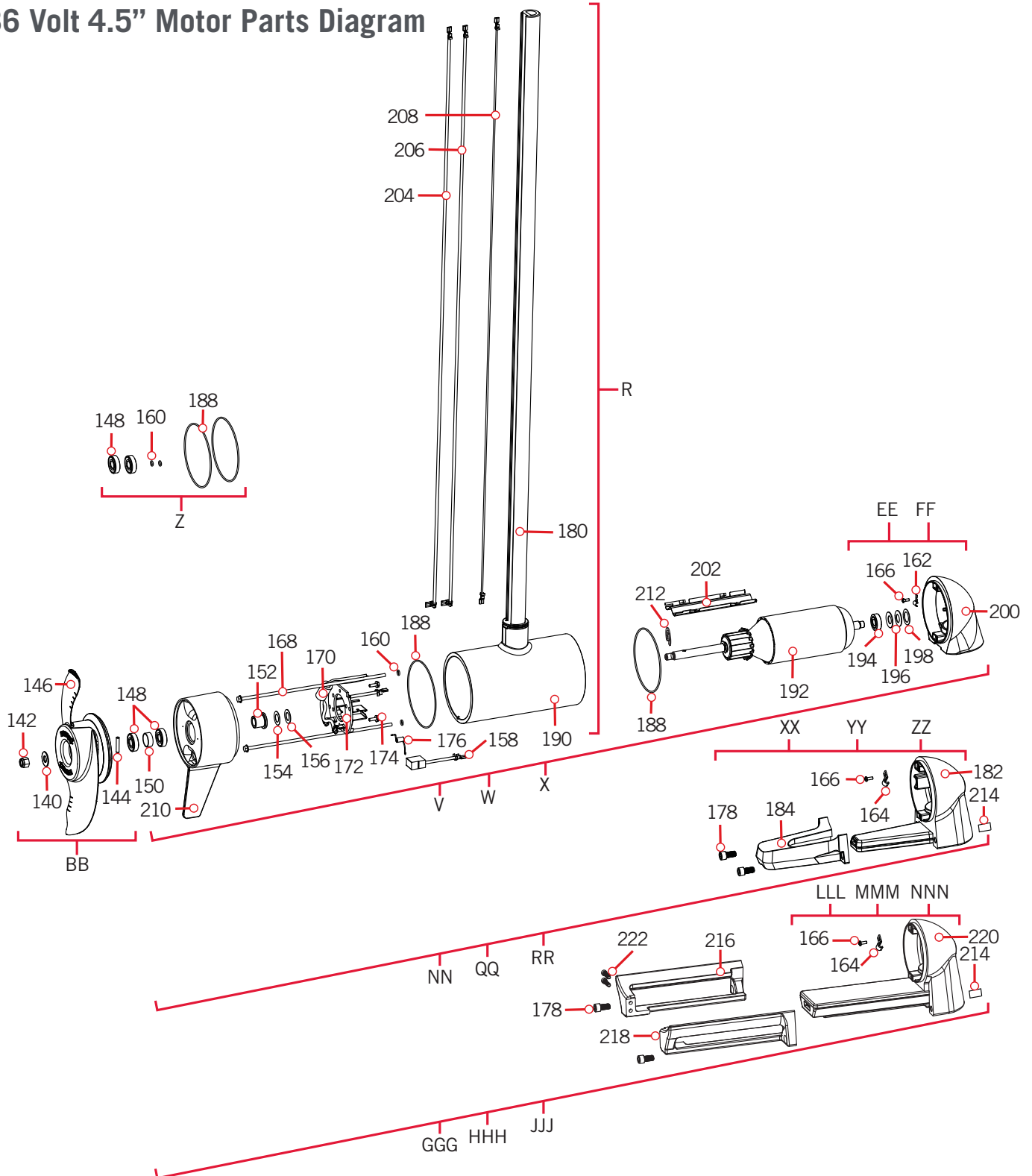
* Only available with models factory installed with Built-in MEGA Side Imaging.



PARTS DIAGRAM & PARTS LIST

ULTREX 36 VOLT 4.5" MOTOR

36 Volt 4.5" Motor Parts Diagram



PARTS DIAGRAM & PARTS LIST

36 Volt 4.5" Motor Parts List

Assembly	Part #	Description	Notes	Quantity
R	2777243	CTR HSG ASY, CB 112#, FW, 60" TUBE	*CENTER SECTION & TUBE* *CUT TO LENGTH*	1
Z	2881450	112# THRUST SEAL KIT		1
BB	1378160	112# THRUST PROP KIT		1
V	2777089	MTR/TUBE ASSY 112# 45" UTX/US2	*MOTOR & TUBE*	1
W	2777080	MTR/TUBE ASY 112# 52" TRRV/US2	*MOTOR & TUBE*	1
X	2777088	MTR/TUBE ASY 112# 60" UTX/US2	*MOTOR & TUBE*	1
NN	2777153	MTR/TUBE ASM 112# 60" UTX/MDI BT	➔ *MDI* *60"*	1
QQ	2777151	MTR/TUBE ASM 112# 52" UTX/MDI BT	➔ *MDI* *52"*	1
RR	2777150	MTR/TUBE ASM 112# 45" UTX/MDI BT	➔ *MDI* *45"*	1
GGG	2777065	MTR/TUBE ASM 112# 45" UTX/MSI BT	* *MSI* *45"*	1
HHH	2777066	MTR/TUBE ASM 112# 52" UTX/MSI BT	* *MSI* *52"*	1
JJJ	2777067	MTR/TUBE ASM 112# 60" UTX/MSI BT	* *MSI* *60"*	1
EE	9421-244	PLN END HSG/TRANSDUCER ASY 4.5 45"	*112LB* *US2*	1
FF	9421-246	PLN END HSG/TRANSDUCER ASY 4.5 52"/60"	*112LB* *US2*	1
XX	2773002	PLN END HSG/TRANSDUCER ASY 4.5 45"	➔ *112LB* *45"* *MDI*	1
YY	2773009	PLN END HSG/TRANSDUCER ASY 4.5 52"	➔ *112LB* *52"* *MDI*	1
ZZ	2773006	PLN END HSG/TRANSDUCER ASY 4.5 60"	➔ *112LB* *60"* *MDI*	1
LLL	2993012	PLN END HGS/TRNDRCR 4.5 ASM ASM	* *45"* *112LB* *MSI*	1
MMM	2993015	PLN END HGS/TRNDRCR 4.5 ASM ASM	* *52"* *112LB* *MSI*	1
NNN	2993016	PLN END HGS/TRNDRCR 4.5 ASM ASM	* *60"* *112LB* *MSI*	1
Item	Part #	Description	Notes	Quantity
140	2091701	WASHER-PROP (LARGE)		1
142	2093101	NUT-PROP,NYLOC,LG,MX101 3/8 SS		1
144	2262658	PIN-DRIVE 1" X 3/16" S/S		1
146	2341161	PROP-WW2(4.5)W/ADP.RING	*112LB*	1
148	880-025	SEAL	*112LB*	2
150	725-095	PAPER TUBE, SEAL		1
152	144-017	BEARING, FLANGE		1
154	990-052	WASHER, NYLATRON		1
156	990-051	WASHER-STEEL THRUST		1
158	188-095	BRUSH, 4.5"		2
160	701-009	O-RING, THRU BOLTS		2
162	230-038	CABLE CLAMP, STEEL	*US2*	1
164	230-039	CABLE CLAMP	➔ * *MDI* *MSI*	1
166	2302104	SCREW-#6 X 3/8		1

▲ Not shown on Parts Diagram.

✳ This part is included in an assembly and cannot be ordered individually.

◆ Only available with models factory installed with i-Pilot.

● Only available with models factory installed with i-Pilot Link.

✚ Only available with models factory installed with Universal Sonar.

➔ Only available with models factory installed with Built-in MEGA Down Imaging.

* Only available with models factory installed with Built-in MEGA Side Imaging.

PARTS DIAGRAM & PARTS LIST



Item	Part #	Description	Notes	Quantity
168	830-094	THRU BOLT 12-24		2
170	2307312	BEAD-FERRITE		1
172	9-738-011	BRUSH PLATE ASSY, 4.5"		1
174	2053410	SCREW-BRUSH PLATE, 10-32		2
176	975-045	SPRING-TORSION		2
178	830-110	SCREW 5-16 - 18 X 5/8 SHCS SS	➔ *	2
180	✘	TUBE-COMP, BLK, 45", w 1/4" WALL 112#	*SEE R*	1
	✘	TUBE-CMP, BLK 60" 1/4" WALL 112#	*SEE R*	1
182	✘	PLAIN END HOUSING, PNT 4.5 DI	➔ *SEE XX,YY AND ZZ*	1
184	792-005	GUARD TRANSDUCER, PNT 4.5 DI		1
188	701-098	O-RING, 98MM X 2MM		2
190	✘	CTR HSG ASY 4.5" MAG FW CB TER	*SEE R*	1
192	2-100-245	ARMATURE ASSY	*112LB* *36V*	1
194	140-014	BEARING - BALL		1
196	992-011	WASHER, SPRING BELLEVILLE		2
198	990-011	WASHER, SHIM		1
200	✘	PLN END HSG 4.5" US2.5 PNT FW	*SEE EE OR FF*	1
202	582-016	CLIP, RETAINING LONG	*112LB*	1
204	640-145	MOTOR WIRE, RED, 112#, 60"		1
	640-140	LEADWIRE RED 10AWG 60 1/2" G	*112LB 45"*	
	640-142	MOTOR WIRE, RED, 112#, 52"		1
206	640-040	MOTOR WIRE, BLACK, 112#, 45"		1
	640-042	MOTOR WIRE, BLACK, 112#, 52"		1
	640-039	MOTOR WIRE, BLACK, 112#, 60"		1
208	640-315	BONDING WIRE, BROWN, US2.0, 45", 52"		1
	640-316	BONDING WIRE, BROWN, US2.0, 60"		1
210	92-300-155	BRUSH END HSG, 112#		1
212	788-040	RETAINING RING		1
214	2006621	DECAL-LOWER-UNIT, MDI	➔ * *MDI* *MSI*	1
216	792-015	GUARD, TRNDCR, PNT SI R	* *MSI*	1
218	792-016	GUARD, TRNDCR, PNT SI L	* *MSI*	1
220	✘	PLN END HSG/TRNDCR 4.5 MSI ASM	* *MSI* *SEE LLL, MMM OR NNN*	1
222	2063410	SCREW-# 10-32 X 3/4" CAP SS	* *MSI*	2

▲ Not shown on Parts Diagram.

✘ This part is included in an assembly and cannot be ordered individually.

◆ Only available with models factory installed with i-Pilot.

● Only available with models factory installed with i-Pilot Link.

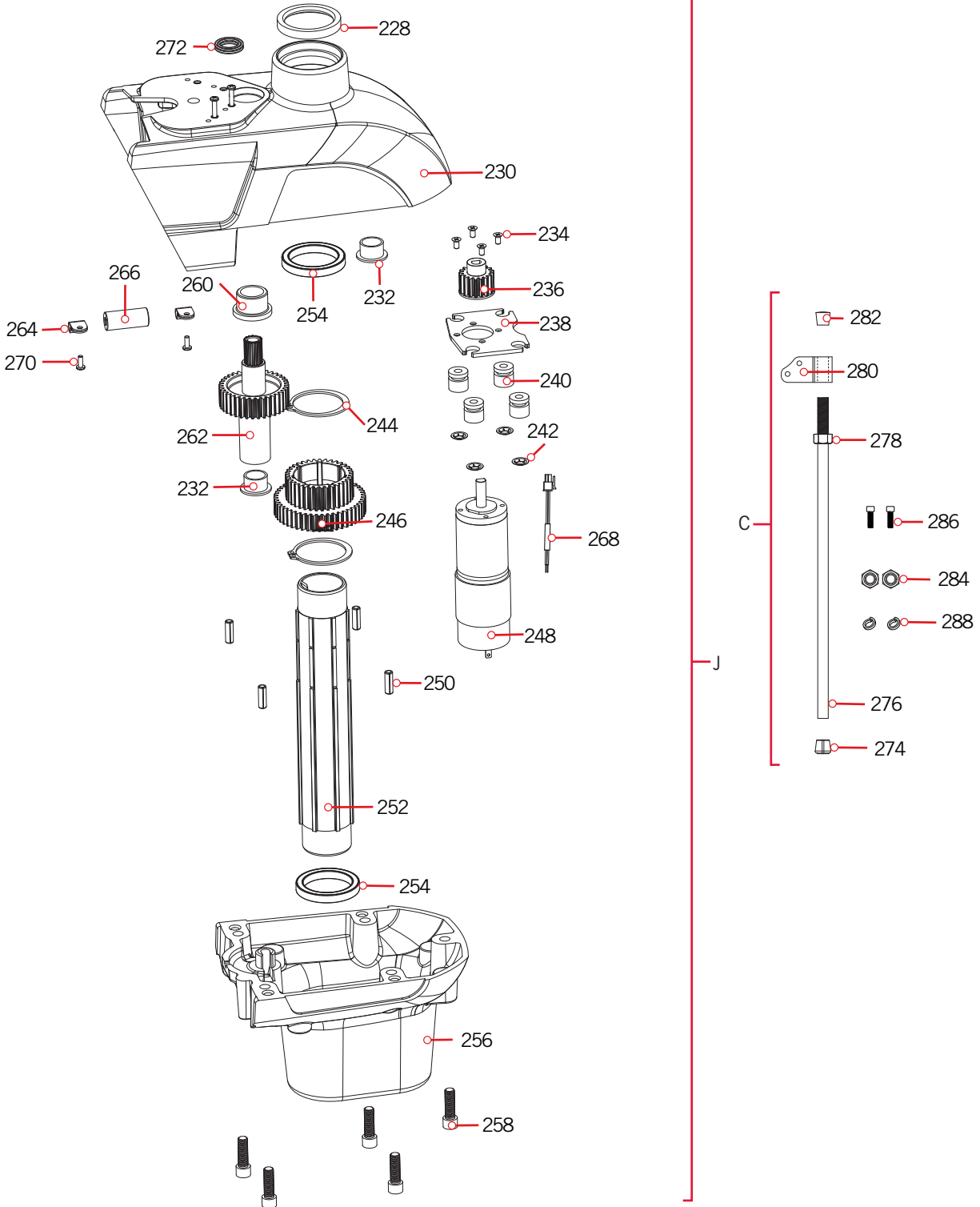
✚ Only available with models factory installed with Universal Sonar.

➔ Only available with models factory installed with Built-in MEGA Down Imaging.

* Only available with models factory installed with Built-in MEGA Side Imaging.

ULTREX STEERING MODULE >

> Steering Module Parts Diagram



PARTS DIAGRAM & PARTS LIST

› Steering Module Parts List

Assembly	Part #	Description	Notes	Quantity
C	2991925	BRACKET STABLZR ARM ASY		1
J	2991896	STEERING MODULE ASSEMBLY FW		1
Item	Part #	Description	Notes	Quantity
228	✘	SEAL	*SEE J*	1
230	✘	HOUSING, UPPER, PAINTED	*SEE J*	1
232	✘	BUSHING-1012-08	*SEE J*	2
234	✘	SCREW-M4 X 8MM, FHP, SS	*SEE J*	4
236	✘	GEAR-MOTOR	*SEE J*	1
238	✘	PLATE, MOTOR	*SEE J*	1
240	✘	BUSHING, DAMPENING	*SEE J*	4
242	✘	NUT-PUSH, 1/4" ZP	*SEE J*	4
244	✘	RETAINING RING, 1 3/4" SHAFT	*SEE J*	2
246	✘	GEAR-CLUSTER, 35-48T	*SEE J*	1
248	✘	MOTOR-DRIVE	*SEE J*	1
250	✘	PIN-SPRING, 1/4 X 3/4, ZP	*SEE J*	4
252	✘	TUBE-STEER, MACHINED	*SEE J*	1
254	✘	BEARING	*SEE J*	2
256	✘	HOUSING, LOWER, PAINTED	*SEE J*	1
258	✘	SCREW-5/16-18 X 1" SHCS ZP	*SEE J*	5
260	✘	BUSHING-1216-12	*SEE J*	1
262	✘	GEAR, CABLE	*SEE J*	1
264	✘	CABLE CLAMP, 3/16", NYLON	*SEE J*	2
266	✘	BEAD-FERRITE	*SEE J*	1
268	✘	WIRE HARNESS, MOTOR,SHORT	*SEE J*	1
270	✘	SCREW-#6-20 X 3/8 THD*(SS)	*SEE J*	2
272	✘	SEAL, QUAD RING, 3/4"	*SEE J*	1
274	2265100	BUMPER STABILIZER		1
276	2263624	STABILIZER ROD		1
278	2263107	NYLON HEX NUT 3/4 - 10 UNC		1
280	2281929	BRACKET		1
282	2260221	VINYL CAP		1
284	2223100	NUT 5/16-18 NYLOCS SS		2
286	2263422	BOLT 5/16-18 X 1" SS		2
288	2281700	5/16 "ID X .457 OD HIGH COLLAR LOCK WASHER		2

▲ Not shown on Parts Diagram.

✘ This part is included in an assembly and cannot be ordered individually.

◆ Only available with models factory installed with i-Pilot.

● Only available with models factory installed with i-Pilot Link.

✚ Only available with models factory installed with Universal Sonar.

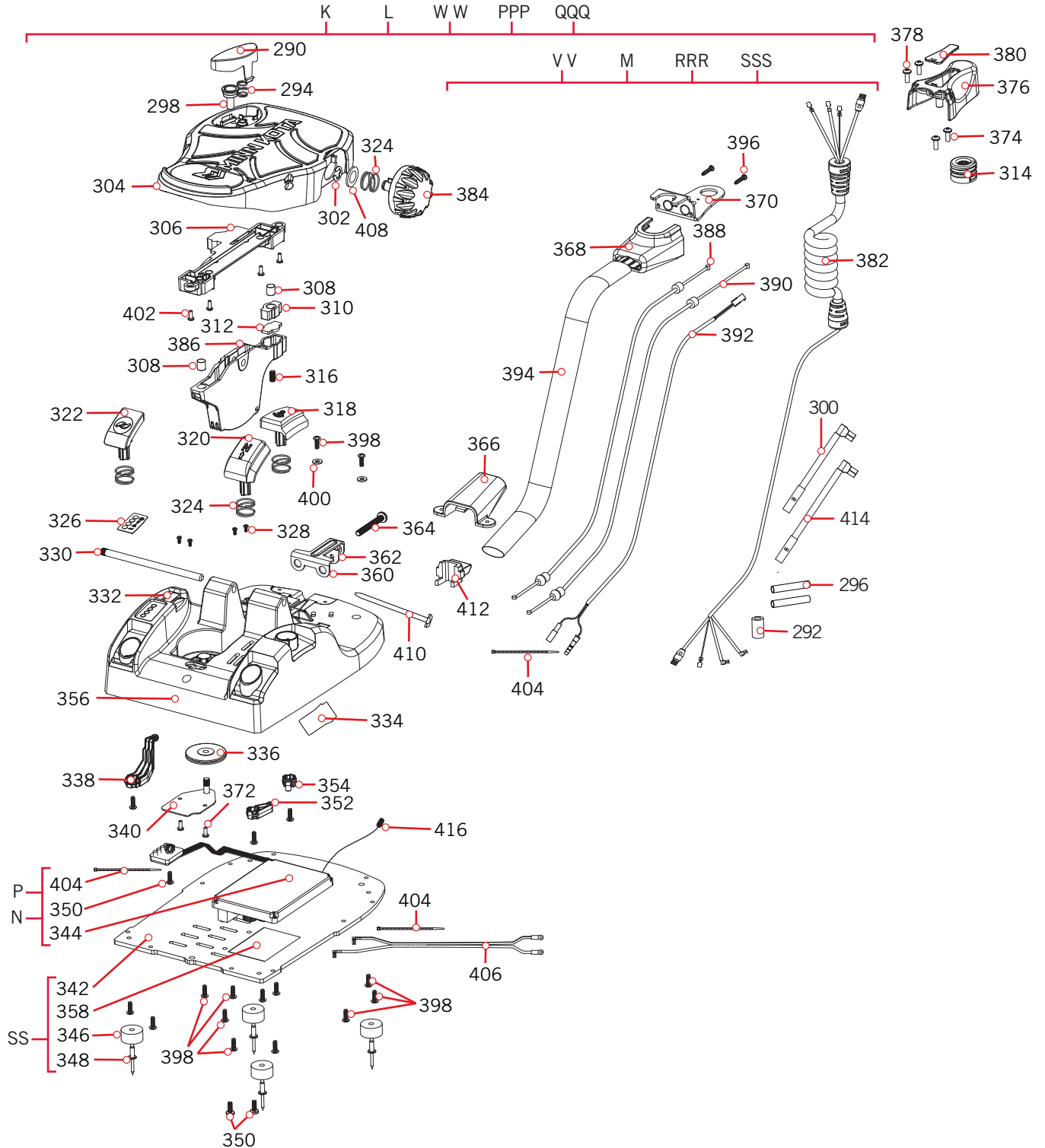
➔ Only available with models factory installed with Built-in MEGA Down Imaging.

✳ Only available with models factory installed with Built-in MEGA Side Imaging.

PARTS DIAGRAM & PARTS LIST

ULTREX FOOT PEDAL

Foot Pedal Parts Diagram



PARTS DIAGRAM & PARTS LIST

Foot Pedal Parts List

Assembly	Part #	Description	Notes	Quantity
K	2992156	36V FOOT PEDAL ASSEMBLY		1
L	2992151	24V FOOT PEDAL ASSEMBLY		1
WW	2992151M	24V FOOT PEDAL ASSEMBLY	*M SKU*	1
PPP	2992152	FT.PDL W/BASE ASM 24V MSI	* MSI* *24V*	1
QQQ	2992157	FT.PDL W/BASE ASM 36V MSI	* MSI* *36V*	1
M	2771200	FT PED CABLE, WIRE HARNESS, ASM	*M SKU*	1
VV	2771201	FT PED CABLE, WIRE HARNESS, ASM	*M SKU*	1
RRR	2991207	CORD-CABLE ASM, UTX/80 MSI	* MSI* *24V*	1
SSS	2991206	CORD-CABLE ASM, UTX MSI	* MSI* *36V*	1
N	2774061	CONTROL BOARD KIT, 36V ULTREX		1
P	2774060	CONTROL BOARD KIT, 24V ULTREX		1
SS	2771923	ULTREX FOOT PEDAL PLATE ASM		1
Item	Part #	Description	Notes	Quantity
290	2993705	PUSH BTTN/MAGNET ASSY		1
292	2307312	BEAD-FERRITE	*M SKU* *112 LB* *80 LB*	1
	2307313	BEAD-FERRITE	* MSI* *112 LB*	1
294	2302732	SPRING-LOWER PEDAL S/S		1
296	2375400	SHRINK TUBE-1/40D X 1-3/4	*M SKU* *MSI*	2
298	2260810	CLIP, REED SENSOR		1
300	2290610	LEADWIRE, BLK, 10AWG, GPT 3.0"	*M SKU* *MSI*	1
302	2263000	E-RING TRU-ARC#5133-43		1
304	2994451	FOOT PEDAL W/MAGNET		1
306	2294027	CONTROL BOARD,SENSOR BOARD		1
308	2294410	ACTUATOR-SENSOR, DIA. .375 MAX		2
310	2294420	CARRIER, ACTUATOR		1
312	2294430	BACKER, CARRIER		1
314	2292300	PULLEY, CABLE DRUM		1
316	2293401	SCREW-1/4-20 X 1/2 SET, 316 SS		1
318	2293720	BUTTON-SL, FOOT PEDAL		1
320	2293730	BUTTON-AP, FOOT PEDAL		1
322	2293710	BUTTON-PROP, FOOT PEDAL		1
324	2292700	SPRING, BUTTON, FOOT PEDAL		4
326	2295625	DECAL, INDICATOR LIGHTS		1
328	2373440	SCREW-#4-24 X 1/4 PHCR SS TY B		4
330	2260511	PIN-PIVOT A/T FT PDL		1

▲ Not shown on Parts Diagram.

✳ This part is included in an assembly and cannot be ordered individually.

◆ Only available with models factory installed with i-Pilot.

● Only available with models factory installed with i-Pilot Link.

✚ Only available with models factory installed with Universal Sonar.

➔ Only available with models factory installed with Built-in MEGA Down Imaging.

✳ Only available with models factory installed with Built-in MEGA Side Imaging.

PARTS DIAGRAM & PARTS LIST



Item	Part #	Description	Notes	Quantity
332	2044022	SWITCH-POWER, ON/OFF		1
334	2266413	TENSION SCREW PLATE FTPEDAL		1
336	2262301	PULLEY (FOOT PEDAL)		1
338	2993715	ARM-SENSOR, PROP W/MAGNET		1
340	2266401	COVER-PULLEY (STAMPING)		1
342	2291920	PLATE-BOTTOM		1
344	2294061	CONTROL BRD, 36V, ULTREX		1
	2294060	CONTROL BRD, 24V, ULTREX		1
346	2265126	BUMPER PAD, FOOT PEDAL (N156)		4
348	2378600	RIVET-POP,3/16 X 3/4 ALUM.SHNK		4
350	2223455	SCREW-#10-32 X 1/2" ZP MACHINE		2
352	2993735	ARM-SENSOR, AP W/MAGNET		1
354	2993725	ARM-SENSOR, SL W/MAGNET		1
356	2994505	BASE W/PIN, FOOT PEDAL		1
358	2365107	INSULATING PAD(2.3 X 3.2)		1
360	2263210	BRACKET-CONDUIT ADJUSTMEN		1
362	2263140	KEEPER-NYLOCK		1
364	2263466	SCREW-1/4-20 X 2" PPH SS/REI		1
366	2265115	BOOT-FOOT PEDAL BASE		1
368	2296410	COVER, COIL CORD		1
370	2291910	BRACKET, CABLE ANCHOR		1
372	2373450	SCREW-#8-18 X 3/8" THRD.CUT SS		2
374	2323406	SCREW-#10-24 X .50 CRPH SS		2
376	2296400	COVER, WRAP DRUM		1
378	2293403	SCREW-#6-32 X .625 PPH SS		2
380	2296405	COVER, MOTOR CONNECTION		1
382	2291200	COIL CORD ASSEMBLY		1
	2291201	COIL CORD ASM, MSI	* *M SKU* *MSI*	1
384	2290100	KNOB-SPEED CONTROL		1
386	2294400	LOWER-ROCKER, FOOT PEDAL		1
388	2297505	CABLE ASSY-RIGHT (5')		1
390	2297515	CABLE ASSY-LEFT (5')		1
392	2297411	WIRE HARNESS, MOTOR, LONG		1
394	2265430	CABLE JACKET (5') AT MODEL		1
396	3393450	SCREW-#6-19 X .75 PPH HI-LO		2
398	2372100	SCREW-#8-18 X 5/8 THD* (SS)		18
400	2261714	WASHER-MAXXUM FT PDL 18/8 SS		2

▲ Not shown on Parts Diagram.

✱ This part is included in an assembly and cannot be ordered individually.

◆ Only available with models factory installed with i-Pilot.

● Only available with models factory installed with i-Pilot Link.

✚ Only available with models factory installed with Universal Sonar.

➔ Only available with models factory installed with Built-in MEGA Down Imaging.

✱ Only available with models factory installed with Built-in MEGA Side Imaging.

PARTS DIAGRAM & PARTS LIST



Item	Part #	Description	Notes	Quantity
402	2332103	SCREW-#6-20 X 3/8 THD (SS)		4
▲	2052510	CABLE CLAMP, 3/16", NYLON		1
▲	2290840	CABLE CLAMP 1/4", NYLON BLACK		1
▲	2301310	SCREW-#8-18 X 1/2 (SS)		2
▲	2298800	LOOM-WIRE, 1/4 X 4"		1
404	2256300	TIE WRAP-5.5" BLACK		3
406	2290605	LEAD WIRE, FOOT PEDAL		1
408	3391722	WASHER, FLAT 7/16		1
410	2296300	TIE WRAP, PANEL MOUNT		1
412	2292915	STRAIN RELIEF, BASE, BL		1
414	2290615	LEADWIRE, RED, 10AWG, GPT 3.5"	*M SKU* *MSI*	1
416	2884019	SWITCH-REED,MAGNETIC w/CONNECT		1

▲ Not shown on Parts Diagram.

✘ This part is included in an assembly and cannot be ordered individually.

◆ Only available with models factory installed with i-Pilot.

● Only available with models factory installed with i-Pilot Link.

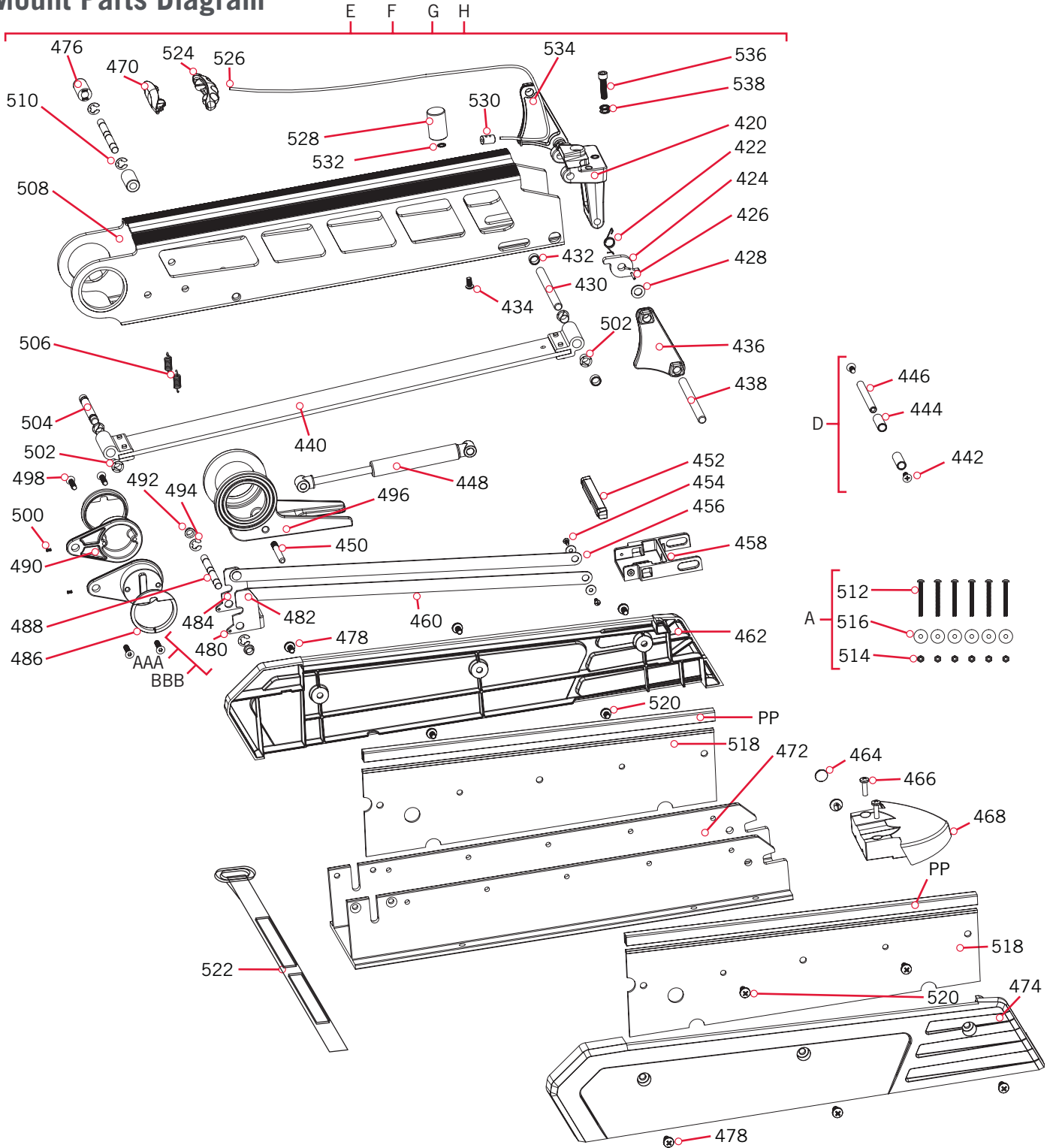
✚ Only available with models factory installed with Universal Sonar.

➔ Only available with models factory installed with Built-in MEGA Down Imaging.

* Only available with models factory installed with Built-in MEGA Side Imaging.

ULTREX MOUNT

Mount Parts Diagram



PARTS DIAGRAM & PARTS LIST

Mount Parts List

Assembly	Part #	Description	Notes	Quantity
E	2991642	MOUNT ASM ULTREX FW 112# 45"		1
F	2991640	MOUNT ASM ULTREX FW 80# 45"		1
G	2991641	MOUNT ASM ULTREX FW 80# 52/60"		1
H	2991643	MOUNT ASM ULTREX FW 112# 52/60"		1
D	2994912	BAG ASSY, FORTREX MOUNT HDW		1
A	2994887	INSTALLATION HARDWARE BAG ASSEMBLY		1
PP	2886400	RAIL COVER KIT, MOTOR REST		1
AAA	2773601	LATCH STRAP, ASSY LONG MNT 80/112# 52/60"		1
BBB	2773600	LATCH STRAP, ASSY SHORT MNT 80/112# 45"		1
Item	Part #	Description	Notes	Quantity
420	2992333	ROPE GUIDE ASSEMBLY		1
422	2042711	SPRING-TORSION, SS 112# 45"		1
424	2283620	LATCH, SAFETY (SUB)		1
426	2282611	PIN-SPRING, 3/32"		1
428	2281704	WASHER -7/16 NYLON		1
430	2282600	PIN 7/16" X 4.80" SS		1
432	2287303	BUSHING, UPPER PIN		2
434	2223418	SCREW-1/4-20X 1/2 SS BHCS		1
436	2280805	LINK, BOWGUARD MOUNT, RIGHT		1
	2990815	END LINK ASM, RIGHT	*112LB 52"/60" ONLY*	1
438	2282608	PIN 7/16" X 5.15" SS		1
	2282613	PIN, BOW GUARD, LOWER	*112LB 52"/60" ONLY*	1
440	2993821	ASSY,INNER ARM, LONG, FW 80/112# 52/60"		1
	2993819	ASSY,INNER ARM, SHORT, FW 80/112# 45"		1
442	2283410	SCREW-1/4-20 X .500" PFH		2
444	2281710	SPACER, GAS SPRING, FORTREX		2
446	2282610	PIN, UPPER SHOCK		1
448	2288403	GAS SPRING (CYLINDER) (SUB)		1
	2288404	GAS SPRING (CYLINDER) 80# 45" 52/60"		1
	2288405	GAS SPRING (CYLINDER) 112# 45"		1
450	2282604	PIN-KNURLED 5/16"X2 1/4"SS		1
452	2283615	LATCH BAR		1
	2283616	LATCH BAR	*112LB 52"/60"*	1
454	2373450	SCREW-#8-18 X 3/8" THRD.CUT SS		2
456	2261732	WASHER-#8, NYLON		3

▲ Not shown on Parts Diagram.

✳ This part is included in an assembly and cannot be ordered individually.

◆ Only available with models factory installed with i-Pilot.

● Only available with models factory installed with i-Pilot Link.

✚ Only available with models factory installed with Universal Sonar.

➔ Only available with models factory installed with Built-in MEGA Down Imaging.

✳ Only available with models factory installed with Built-in MEGA Side Imaging.

PARTS DIAGRAM & PARTS LIST



Item	Part #	Description	Notes	Quantity
458	2283610	BRACKET-LATCH/STRAP,ROPE PULL		1
460	✘	LATCH STRAP, LONG MNT SS 80/112# 52/60"		2
	✘	LATCH STRAP, SHORT MNT SS 80/112# 45"		2
462	2283949	SIDEPLATE, LEFT, LONG, FW	*52"/60**	1
	2283939	SIDEPLATE, LEFT, SHORT, FW	*45**	1
464	2286700	PLUG-SPACER,BASE EXTRUSION		2
466	2073408	SCREW-1/4-20 X 7/8 PPH S/S		2
468	2283900	RAMP-MOTOR FW		1
470	2280401	PULL GRIP,SOFT, TOP		1
472	2281903	BASE EXTRUSION-SHORT, MACH. 80/ 112# 45"		1
	2281913	BASE EXTRUSION-LONG, MACH. 80/112# 52/60"		1
474	2283944	SIDEPLATE, RIGHT, LONG, FW	*52"/60**	1
	2283934	SIDEPLATE, RIGHT, SHORT, FW	*45**	1
476	2261505	SPACER, MOTOR REST		2
478	2323405	SCREW-1/4-20 X 1/2" MCH SS		8
480	✘	BRACKET, LATCH		1
482	✘	RIVET,SHLDR 5/16"X.159"SS		2
484	✘	BEARING,NYLINER 5/16" (5L1-FF)		2
486	2287300	BUSHING-REAR PIVOT		2
488	2282602	PIN 3/8" X 3 3/4" SS		2
490	2281932	BRACKET-REAR PIVOT FW		2
492	2280008	BEARING-I GLIDE 3/8 SHAFT		2
494	2263011	E-RING 3/8 DIA. SHAFT*		4
496	2281501	YOKE, FORTREX		1
498	2283411	SCREW-1/4-20X1.00 FHS RIE TORX		4
500	2283402	SCREW-SET 6/32 X .25" SS		2
502	2280005	BEARING,NYLINER 7/16" (7L7-F)		4
504	2282606	PIN-PIVOT, 7/16" X 3 1/8" SS		1
506	2282720	SPRING-EXTENSION SS		2
508	2284202	ARM-OUTER,SHORT,FW 80/112# 45"		1
	2284212	ARM-OUTER,LONG,FW 80/112# 52/60"		1
510	2263011	E-RING 3/8 DIA. SHAFT*		2
▲	2014800	BAG-ZPLCK (4X6) 4ML CLEAR		1
▲	2285803	HANG TAG, WARNING, FORTREX		1
512	2263468	1/4 - 20 X 2.5" SS PPH SCREW		6
514	2263103	1/4 - 20 SS NYLOCK NUT		6
516	2261713	1/4 FLAT 18-8 SS WASHER		6
518	2283631	RAIL, MACH, MOTOR REST		2
520	2323403	SCREW - 1/4 - 20 X 1/2" T-L ZP		4

▲ Not shown on Parts Diagram.

✘ This part is included in an assembly and cannot be ordered individually.

◆ Only available with models factory installed with i-Pilot.

● Only available with models factory installed with i-Pilot Link.

✚ Only available with models factory installed with Universal Sonar.

➔ Only available with models factory installed with Built-in MEGA Down Imaging.

* Only available with models factory installed with Built-in MEGA Side Imaging.

PARTS DIAGRAM & PARTS LIST



Item	Part #	Description	Notes	Quantity
522	2773806	STRAP, HOLD DOWN		1
524	2280405	PULL GRIP, SOFT, BOTTOM		1
526	2291400	CABLE, PULL HANDLE, SS		1
528	2281516	SPACER, INNER ARM		1
530	2880800	PULL CABLE CLAMP & SCREW KIT		1
532	2281702	WASHER-LOCK, 1/4" EXTERNAL SS		1
534	2280800	LINK,BOWGUARD MOUNT,LEFT		1
	2990810	END LINK ASM, LEFT	*112LB 52"/60" ONLY*	1
536	2293402	SCREW-5/16-18, SHCS, RIE, STEEL		1
538	2291700	WASHER-5/16, M8 WEDGE LOCK		1

▲ Not shown on Parts Diagram.

✘ This part is included in an assembly and cannot be ordered individually.

◆ Only available with models factory installed with i-Pilot.

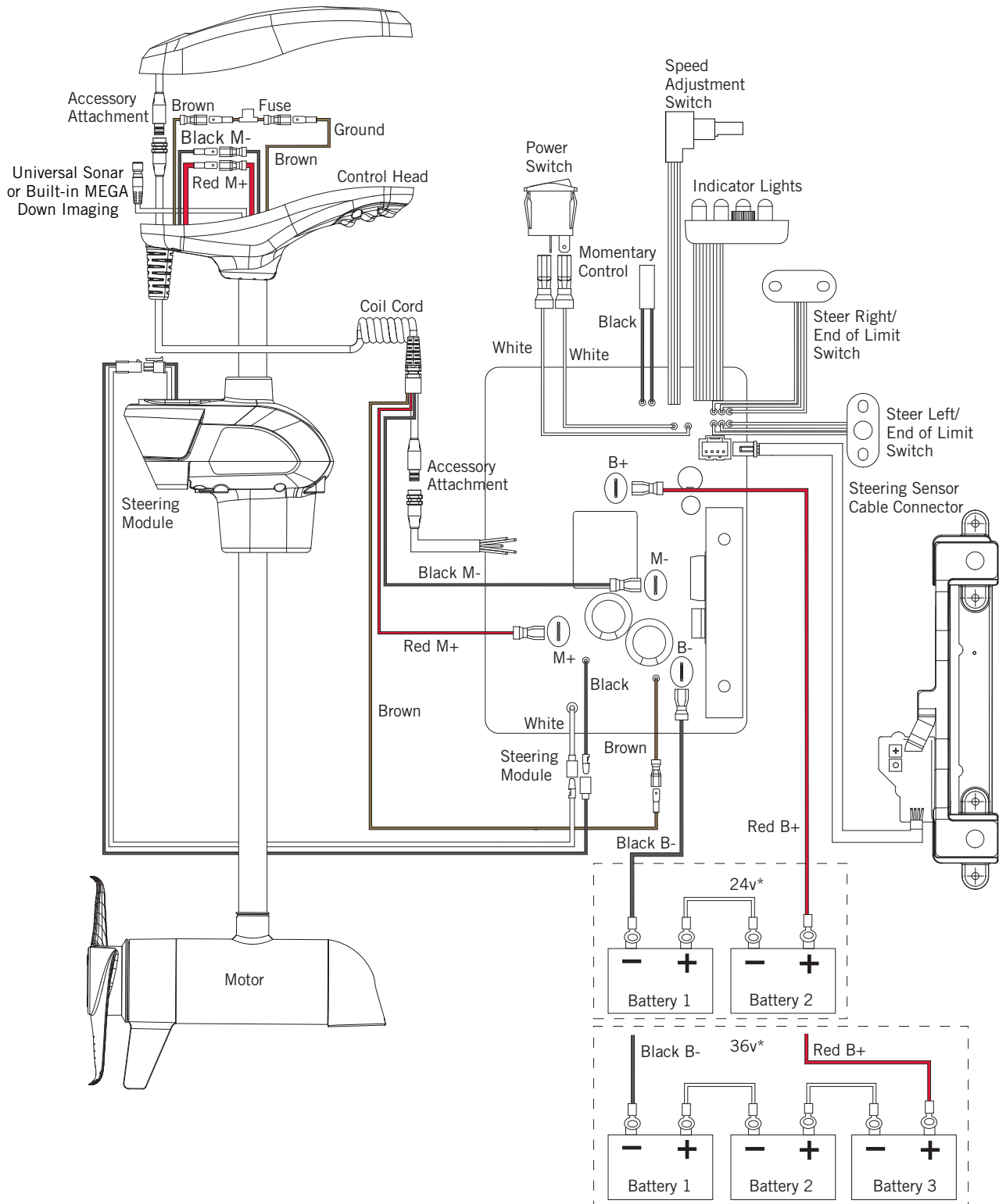
● Only available with models factory installed with i-Pilot Link.

✚ Only available with models factory installed with Universal Sonar.

➔ Only available with models factory installed with Built-in MEGA Down Imaging.

* Only available with models factory installed with Built-in MEGA Side Imaging.

MOTOR WIRING DIAGRAM



NOTICE: This is a multi-voltage diagram. Double-check your motor's voltage for proper connections. Over-Current Protection Devices are not shown in this illustration.