

PARTS DIAGRAM & PARTS LIST

Control Head Parts List

Assembly	Part #	Description	Notes	Quantity
C	2994175	REMOTE ASM, MICRO REMOTE		1
J	2991532	DEPTH COLLAR ASSEMBLY		1
K	2774193	MTR KIT, 4.0 BL FW MR	*COVER AND DECALS*	1
L	2994191	MTR KIT, 4.0 BL FW MR GND	*COVER, ELECTRONICS, AND DECALS*	1
G	540321-1	HDWE, BGD, 1.5" SHAFT MNT-ML	*HUMMINBIRD 360 BRACKET ADAPTER*	1
Item	Part #	Description	Notes	Quantity
2	2293450	SCREW-#6-19 X 1.0 PPH HI-LO		4
4	2202520	CONTROL BOX BASE,ULT/UTX FW		1
6	2263406	SCREW-#10-24 X 2" S/S PPH		1
8	2333101	NUT-HEX #10-24 UNC-2B NYL SS		1
10	2206711	PLUG, RUBBER, 2D		1
12	2095400	SHRINK TUBE,16MM, 2", 4:1		2
14	490575-2	CABLE, ADPTR, 14 PIN, 175"-DSC		1
16	2200220	CONTROL BOX COVER,ULT/UTX		1
18	2395590	DECAL,PUSH BTN U2 FW SERV		1
20	2205540	DECAL, CTRL BOX MK RIGHT FW		1
22	2205545	DECAL, CTRL BOX MK LEFT FW		1
24	2290845	CLIP, CABLE ROUTING		5
26	9953310	TIE WRAP-8.5"		1
28	2390802	LANYARD w/CARABINR, IP RMT		1
30	2394110	TAG, MICRO REMOTE		1
32	490384-4	CABLE, ETHERNET (M12-M12), 30'		1
34	490380-1	CABLE, ETHERNET PIGTAIL-700 HD		1
36	2292617	PIN, HINGE		1
38	2295110	PAD, FRICTION		1
40	2291532	DEPTH COLLAR, BOLT HALF		1
42	2291537	DEPTH COLLAR, CAM HALF		1
44	2297200	LEVER, CAM LOCK		1
46	2062610	PIN 3/8" DIA., CAM LOCK		1
48	2063400	SCREW-1/4-28 X 1 1/4" PFH SS		1
50	2062720	SPRING,DEPTH COLLAR,TRAXX		1
52	2375441	SPLICER. 4-14 AWG		2
▲	2205810	DECAL-MINN KOTA 12" PROMO		1
▲	2297166	MANUAL, ULTREX 2		1
▲	2394910	INSTRUC. SHEET, MICRO REMOTE		1
▲	2297165	MANUAL-DISCLAIMER,DNLOAD INFO		1
▲	2394912	QCK REF.GUIDE, MICRO REMOTE		1
▲	2297167	INSTALL GUIDE, ULTREX 2		1
▲	2294950	INSTRC-OBN & REMOTE PAIR		1
▲	2207131	STANDARD QS SETUP GUIDE		1
54	✖	ASSY, MOUNT, TM SHAFT, 1.5"	*SEE ASSEMBLY G*	1
56	✖	MOUNT, CLAMP, TM SHAFT 1.5"	*SEE ASSEMBLY G*	1
58	✖	SCREW,#10-32x1-1/8, SHCS	*SEE ASSEMBLY G*	4
60	✖	PAD, RUBBER, 1/8"- ML	*SEE ASSEMBLY G*	1
62	2994960	BAG ASM, CABLE ADPT, 490518-1	*490518-1* *MKR-MDI-2*	1
64	2994961	BAG ASM, CABLE ADPT, 490537-2	*490537-2* *MKR-MI-1*	1

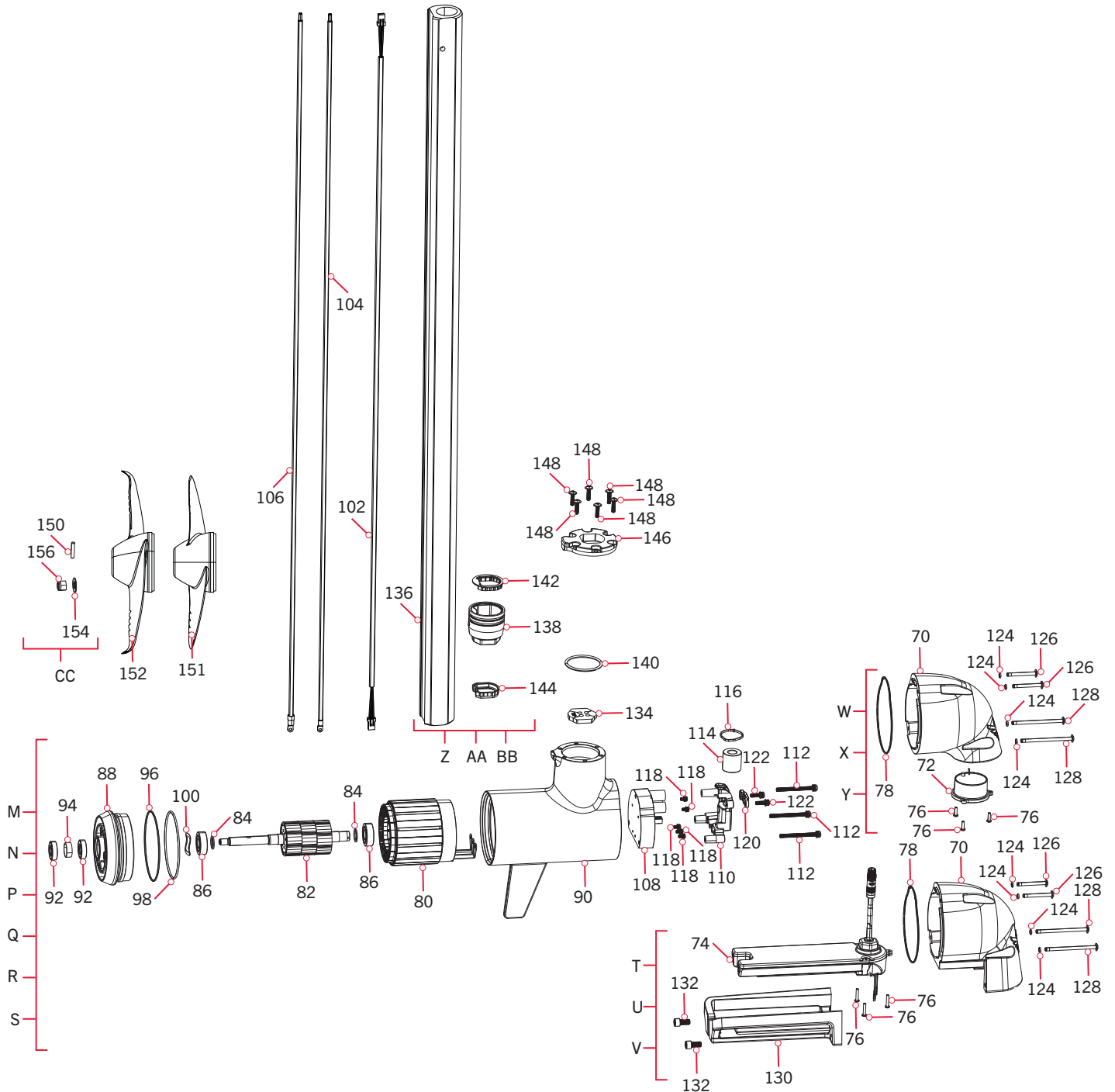
▲ Not shown on Parts Diagram.

✖ This part is included in an assembly and cannot be ordered individually.

PARTS DIAGRAM & PARTS LIST

ULTREX QUEST MOTOR

24/36 Volt 3.625" 90/115 Thrust Motor Parts Diagram



PARTS DIAGRAM & PARTS LIST

▶ 24/36 Volt 3.625" 90/115lb Thrust Motor Parts List

Assembly	Part #	Description	Notes	Quantity
M	2771060	MTR ASY 85/115#DSC FW BLK	*45" DSC*	1
N	2771061	MTR ASY 85/115#DSC FW BLK	*52" DSC*	1
P	2771062	MTR ASY 85/115#DSC FW BLK	*60" DSC*	1
Q	2771080	MTR ASY 85/115#MSI FW BLK	*45" MSI*	1
R	2771081	MTR ASY 85/115#MSI FW BLK	*52" MSI*	1
S	2771082	MTR ASY 85/115#MSI FW BLK	*60" MSI*	1
T	2773031	SC FRONT END 45" QUEST	*DSC* *45"*	1
U	2773032	DSC FRONT END 52" QUEST	*DSC* *52"*	1
V	2773033	DSC FRONT END 60" QUEST	*DSC* *60"*	1
W	2773072	MSI FRONT END 45" QUEST	*MSI* *45"*	1
X	2773073	MSI FRONT END 52" QUEST	*MSI* *52"*	1
Y	2773074	MSI FRONT END 60" QUEST	*MSI* *60"*	1
Z	2771064	BL ASM FW DSC/MSI 45"U2,T3	*SHAFT* *45"*	1
AA	2771061	BL ASM FW DSC/MSI 52" U2	*SHAFT* *52"*	1
BB	2771065	BL ASM FW DSC/MSI 60"U2,T3	*SHAFT* *60"*	1
CC	2772604	BAG ASSM, PROP HARDWARE		1
Item	Part #	Description	Notes	Quantity
70	✘	FRONT ENDBELL, US3, FW	*DSC*	1
	✘	FRONT ENDBELL, MSI, FW	*MSI*	1
72	✘	DSC XDUCER ASSY 62" HW T	*DSC* *45"*	1
	✘	DSC XDUCER ASSY 67" HW T	*DSC* *52"*	1
	✘	DSC XDUCER ASSY 73" HW T	*DSC* *60"*	1
74	✘	BUILT-IN MSI+ 67" for U2	*MSI* *45"*	1
	✘	BUILT-IN MSI+ 73" for U2	*MSI* *52"*	1
	✘	BUILT-IN MSI+ 79" for U2	*MSI* *60"*	1
76	✘	SCREW-#6-32 X 1/2" TORX PHSS		3
78	880-032	SEAL-FRONT, BL MOTORS		1
80	✘	STATOR ASSEMBLY		1
82	✘	ROTOR ASSEMBLY		1
84	✘	WASHER BEARING		2
86	✘	BALL BEARING		2
88	✘	REAR ENDBELL, FW PAINT		1
90	✘	CENTER HSG, FW PAINT		1
92	✘	SEAL		2
94	✘	PAPER TUBE - SEAL BORE		1
96	✘	O-RING		1
98	✘	O-RING		1
100	✘	WASHER-WAVE		1
102	195-030	CABLE-COM 22GA TWST PAIR 62.38	*45"*	1
	195-031	CABLE-COM 22GA TWST PAIR 69.13	*52"*	1
	195-032	CABLE-COM 22GA TWST PAIR 76.25	*60"*	1
104	640-470	LEADWIRE RED 8 AWG 64.88"	*45"*	1
	640-471	LEADWIRE RED 8 AWG 71.63"	*52"*	1
	640-472	LEADWIRE RED 8 AWG 78.75"	*60"*	1

▲ Not shown on Parts Diagram.

* This part is included in an assembly and cannot be ordered individually.

PARTS DIAGRAM & PARTS LIST

Item	Part #	Description	Notes	Quantity
106	640-420	LEADWIRE BLK 8 AWG 64.88	*45"	1
	640-421	LEADWIRE BLK 8 AWG 71.63"	*52"	1
	640-422	LEADWIRE BLK 8 AWG 78.75"	*60"	1
108	2994130	CONTROL BRD ASM, BL		1
110	979-029	STRAIN RELIEF, BTM MACH		1
112	830-118	SCREW-DBL SEM M5X.8MMX60MM		3
114	2307318	FERRITE BEAD, BRUSHLESS		1
116	9953310	TIE WRAP-8.5"		1
118	830-120	SCREW-M4X .7X8 PPH ZPS		5
120	979-022	STRAIN RELIEF, TOP CAST		1
122	830-121	SCREW-M5 X .8X18 PPH ZPS		2
124	701-010	O-RING, SCREW		4
126	830-105	SCREW-FRONT, TOP, RAW, BL MTR		2
128	830-106	SCREW-FRONT, BTM RAW, BL MTR		2
130	791-030	GUARD-SONAR, MSI, MACHINED	*MSI*	1
132	830-110	SCREW-5-16-18 X 5/8 SHCS SS	*MSI*	2
134	880-041	SEAL-WIRE, BL MTR, UNIV. CHIRP	*DSC*	1
	880-040	SEAL-WIRE, BL MTR, MSI/MDI	*MSI*	1
136	✘	TUBE-1CM, BLK 45", 1.5 X .875	*45"	1
	✘	TUBE-1CM, BLK 52", 1.5 X .875	*52"	1
	✘	TUBE-1CM, BLK 60", 1.5 X .875	*60"	1
138	✘	PLUG, COMP SHAFT, PAINTED		1
140	2294630	O-RING, 226, 70 SHORE A		1
142	✘	SEAL-TOP SHAFT, BL, CLR		1
144	✘	SEAL-LWR SHAFT, BL, CLR		1
146	2296432A	PLATE, CLAMP, PAINTED		1
148	830-013	SCREW-M5 X .8 FSHCS SS CTD		6
150	2262659	PIN-DRIVE 1" X 3/16" SS 17-4		1
151	2321170	PROP, POWER REAMED		1
152	2321162	PROP-WW2 BRUSHLESS MACHINE		1
154	2091701	WASHER-PROP (LARGE) MAX101		1
156	2093101	NUT-PROP,NYLOC,LG,MX101 3/8 SS		1

▲ Not shown on Parts Diagram.

✘ This part is included in an assembly and cannot be ordered individually.

PARTS DIAGRAM & PARTS LIST

Steering Housing Parts List

Assembly	Part #	Description	Qty.
DD	2996508	STEERING MODULE ASSEMBLY	1
F	2991925	BRACKET STABLZR ARM ASY	1
Item	Part #	Description	Qty.
170	✘	HOUSING UPPER, PAINTED FW	1
172	✘	BUSHING-1216-12	1
174	✘	BUSHING-1012-08	2
176	✘	PIN-DOWEL, 1/4" X 1.0" SS	4
178	✘	PIN-MACH, 1/2 DIA. X 3 1/4" SS	1
180	✘	GEAR-CLUSTER 18T - 33T	1
182	✘	BUSHING, IDLER GEAR	2
184	✘	TUBE, STEERING, MACHINED, 1.5"	1
186	✘	BUSHING, OUTPUT TUBE, BTM	2
188	✘	RETAINING RING, 2 3/8"	2
190	✘	GEAR-CLUSTER 48T - 57T	1
192	✘	BEARING-RADIAL 6811 2RS	2
194	✘	MOTOR-DRIVE	1
196	✘	PLATE, MOTOR, ULTREX 2	1
198	✘	SCREW-M4 X 8MM, FHP, SS	4
200	✘	BUSHING, DAMPENING 57A	4
202	✘	GEAR-MOTOR 20T	1
204	✘	NUT-PUSH, 1/4" ZP	4
206	✘	GEAR-CABLE, WRAPDRUM	1
208	✘	WIRE HARNESS, MOTOR	1
210	✘	SENSOR, STEERING, ROTATIONAL, U	1
212	✘	BRACKET, STEERING SENSOR	1
214	✘	GEAR, STEERING SENSOR	1
216	✘	MAGNET, 1/4 X 1/8	1
218	✘	GEAR-CLUSTER, STEER. SENSOR	1
220	✘	COVER, STEERING SENSOR	1
222	✘	SCREW-#6-20 X 3/8 THD*(SS)	5
224	✘	SCREW-#4-24 X 1/4 PHCR SS TY B	2
226	✘	SCREW-#6 X .375 PLASTITE SS	3
228	✘	BEAD-FERRITE	1
230	✘	CLIP, CABLE ANCHOR	2
232	✘	SCREW-#6-20 X 3/8 THD*(SS)	2
▲	✘	TIE WRAP-8.5"	1
236	✘	HOUSING LOWER, PAINTED FW	1
238	2291931	MOUNT, STEERING MOD, MACH	1
240	2263423	SCREW-5/16-18 X 1" SHCS ZP	11
242	✘	SEAL, OUTPUT	1
244	✘	SEAL, QUAD RING, 3/4"	1
246	2293925	COVER, RIGHT SIDE, FW	1
248	2293920	COVER, LEFT SIDE, FW	1
250	2323409	SCREW-#10-24 X 3/8 PPH MACH SS	4
252	2265100	BUMPER STABILIZER	1

▲ Not shown on Parts Diagram.

✘ This part is included in an assembly and cannot be ordered individually.

PARTS DIAGRAM & PARTS LIST



Item	Part #	Description	Qty.
254	2263624	STABILIZER ROD	1
256	2263107	NYLON HEX NUT 3/4 - 10 UNC	1
258	2281929	BRACKET	1
260	2260221	VINYL CAP	1
262	2223100	NUT 5/16-18 NYLOCS SS	2
264	2263422	BOLT 5/16-18 X 1" SS	2
266	2281700	5/16 "ID X .457 OD HIGH COLLAR LOCK WASHER	2

▲ Not shown on Parts Diagram.

✘ This part is included in an assembly and cannot be ordered individually.



PARTS DIAGRAM & PARTS LIST

Foot Pedal Parts List

Assembly	Part #	Description	Notes	Quantity
FF	2992160	FOOT PEDAL w/BASE, 24/36V		1
GG	2771210	COIL CORD ASM UTX QUEST		1
HH	2774038	CTRL BRD KIT, MAIN, UTX QUEST		1
JJ	2771923	ULTREX FOOT PEDAL PLATE ASM		1
Item	Part #	Description	Notes	Quantity
280	2291911	BRACKET, CABLE ANCHOR		1
282	2297506	CABLE ASM, RIGHT (5')		1
284	2297516	CABLE ASM, LEFT (5')		1
286	2291210	COIL CORD ASM, ULTREX 2		1
288	2297412	WIRE HARNESS, STR.SENSOR, LONG		1
290	2297411	WIRE HARNESS, MOTOR, LONG		1
292	2295411	CABLE JACKET, NOTCHED		1
294	2295120	BOOT, FOOT PEDAL BASE		1
296	2263210	BRACKET-CONDUIT ADJUSTMEN[B060		1
298	2263466	SCREW-1/4-20 X 2" PPH SS/REI		1
300	2256300	TIE WRAP-6.0" BLACK [D080		3
302	2266413	TENSION SCREW PLATE FTPEDAL		1
304	2263140	KEEPER-NYLOCK		1
306	2261714	WASHER-MAXXUM FT PDL 18/8 SS		2
308	2994505	BASE w/PIN, FOOT PEDAL, BL		1
310	2294011	SWITCH-POWER w/WIRES		1
312	2293710	BUTTON-PROP, FOOT PEDAL		1
314	2993715	ARM-SENSOR, PROP w/MAGNET		1
316	2292700	SPRING, BUTTON, FOOT PEDAL		4
318	2293720	BUTTON-SL, FOOT PEDAL		1
320	2993725	ARM-SENSOR, SL w/MAGNET		1
322	2293700	BUTTON, OBN, FOOT PEDAL		1
324	2993735	ARM-SENSOR, AP w/MAGNET		1
326	2994451	FOOT PEDAL w/MAGNET, ULTREX		1
328	2294027	CONTROL BRD,SENSOR BRD (SUB)		1
330	2332103	SCREW-#6-20 X 3/8 THD*(SS)		4
332	2052510	CABLE CLAMP, 3/16", NYLON		1
334	2290840	P-CLIP, ULTREX FOOT PEDAL		1
336	2301310	SCREW-#8-18 X 1/2 (SS)*		2
338	2290100	KNOB-SPEED CONTROL		1
340	3391722	WASHER-FLAT 7/16 SAE		1
342	2263000	E-RING TRU-ARC#5133-43 [A090		1
344	2294400	LOWER-ROCKER, FOOT PEDAL		1
346	2294430	BACKER, CARRIER		1
348	2294420	CARRIER, ACTUATOR		1
350	2293401	SCREW-1/4-20 X 1/2 SET, 316 SS		1
352	2294410	ACTUATOR-SENSOR, DIA. .375 MAX		2
354	2260511	PIN-PIVOT A/T FT PDL		1
356	2262301	PULLEY (FOOT PEDAL)		1
358	2266401	COVER-PULLEY (STAMPING)		1

▲ Not shown on Parts Diagram.

* This part is included in an assembly and cannot be ordered individually.

PARTS DIAGRAM & PARTS LIST



Item	Part #	Description	Notes	Quantity
360	2373450	SCREW-#8-18 X 3/8" THRD.CUT SS		2
362	2294035	CONTROL BOARD ASM, ULTREX 2		1
364	830-122	SCREW-M4X .7X8MM SCKT DBL		4
366	2298800	LOOM-WIRE, 1/4 X 4"		1
368	2223430	SCREW-#8x3/4 PPH,TYPE 25,SS		1
370	2290625	LEADWIRE ASM,8AWG,UTX 2 (DPLX)		1
372	9953310	TIE-WRAP-8.5"		1
374	2291920	PLATE-BOTTOM		1
376	2365107	INSULATING PAD(2.3 X 3.2)		1
378	2223455	SCREW-#10-32 X 1/2" ZP MACHINE		2
380	2372100	SCREW-#8-18 X 5/8 THD* (SS)		17
382	2993705	PUSH BTTN/MAGNET ASSY (SUB)		1
384	2260810	CLIP, REED SENSOR		1
386	2302732	SPRING-LOWER PEDAL S/S (A120)		1
388	2373440	SCREW-#4-24 X 1/4 PHCR SS TY B		4
390	2295627	DECAL, INDICATOR LIGHTS		1
392	2265126	BUMPER PAD, FOOT PEDAL (N156)		4
394	2378600	RIVET-POP,3/16 X 3/4 ALUM.SHNK		4
396	2296545	HOUSING, CABLE BOTTOM		1
398	2323406	SCREW-#10-24 X .50 CRPH SS		3
400	2292930	RETAINER, COIL CORD		1
402	2293450	SCREW-#6-19 X 1.0 PPH HI-LO		12
404	2297900	WRAP DRUM, ULTREX 2		1
406	2296540	HOUSING, CABLE TOP		1
408	2290846	CLIP, CABLE ANCHOR		2
410	2040340	CONNECTOR, SCOTCHLOK, UY2		2

▲ Not shown on Parts Diagram.

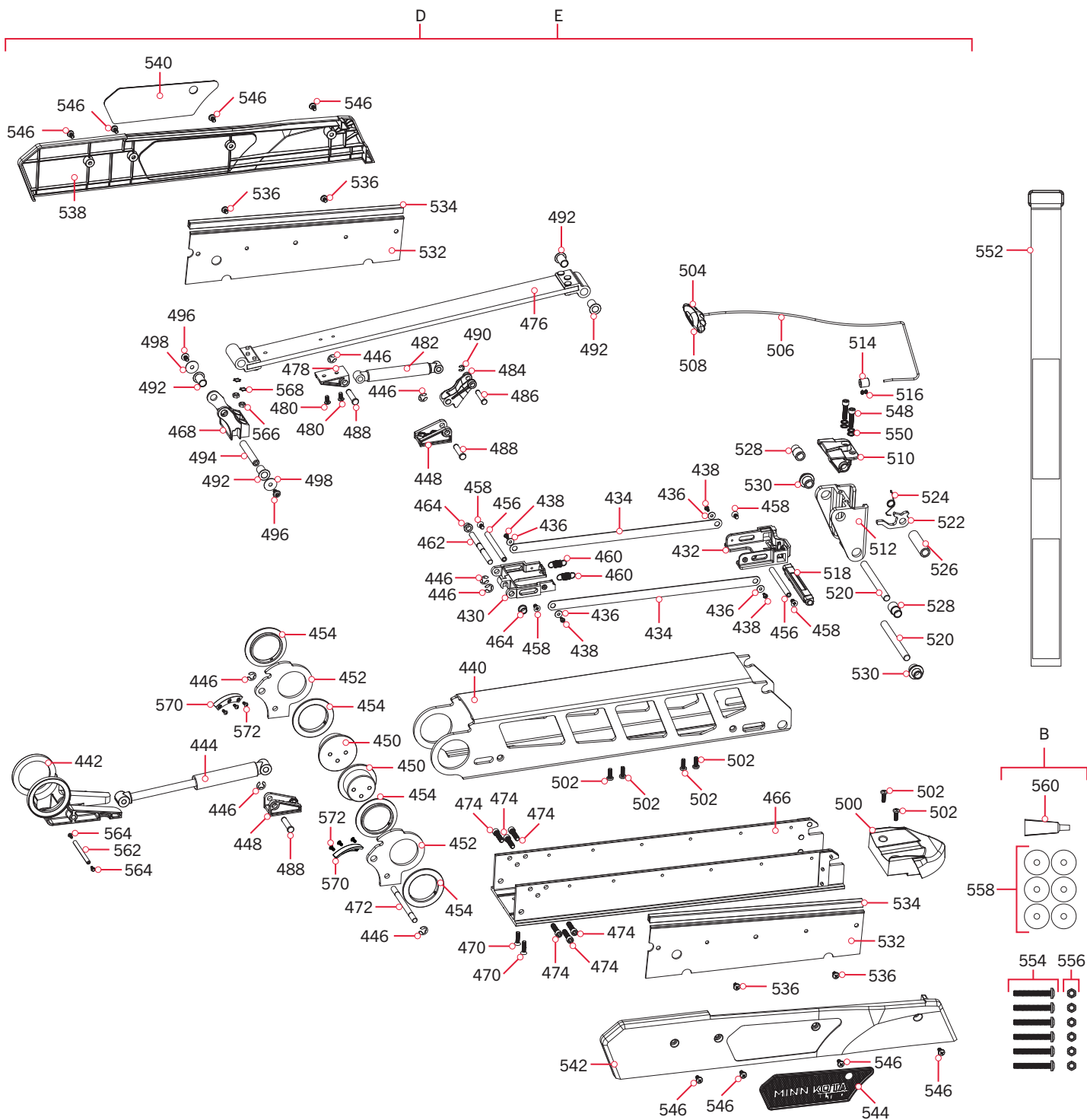
✘ This part is included in an assembly and cannot be ordered individually.



PARTS DIAGRAM & PARTS LIST

ULTREX QUEST MOUNT

Mount Parts Diagram



PARTS DIAGRAM & PARTS LIST

Mount Parts List

Assembly	Part #	Description	Notes	Quantity
D	2771665	MOUNT ASSEMBLY, UTX QUEST STD	*45**	1
E	2771666	MOUNT ASSEMBLY UTX QUEST LONG	*52** *60**	1
B	2994947	BAG ASM,ULTREX 2 HARDWARE		1
Item	Part #	Description	Notes	Quantity
430	2298620	CARRIER, REAR RELEASE		1
432	2291955	BRACKET, LATCH		1
434	2283602	LATCH STRAP, SHORT, SS	*45**	2
	2283603	LATCH STRAP, LONG	*52** *60**	2
436	2261732	WASHER-#8, NYLON BLACK		4
438	2373450	SCREW-#8-18 X 3/8" THRD.CUT SS		4
440	2294212	ARM-OUTER, SHORT, ANDZ	*45**	1
	2294222	ARM-OUTER, LONG, ANDZ	*52** *60**	1
442	2291520	YOKE, CYLINDER MOUNT		1
444	2298400	GAS SPRING	*45**	1
	2298402	GAS SPRING	*52** *60**	1
446	2263011	E-RING 3/8 DIA. SHAFT*		7
448	2991662	MNT ASM, GAS SPRING, OUTR ARM 1		2
450	2293300	PIVOT, REAR		2
452	2291950	BRACKET, LATCH REAR		2
454	2297322	BUSHING, REAR PIVOT		4
456	2292616	PIN, MOUNT, SS		2
458	2283410	SCREW-1/4-20 X .500" PFH		4
460	2292710	SPRING, RELEASE, SS		2
462	2292622	PIN, REAR LOCK, SS		1
464	2297301	BUSHING, LATCH		2
466	2991663	BASE ASM, ULTREX, FW, SHORT	*45**	1
	2991664	BASE ASM, ULTREX, FW, LONG	*52** *60**	1
468	2291725	SPACER, REAR LOCK		1
470	2283411	SCREW-1/4-20X1.00 FHS RIE TORX		2
472	2292620	PIN, REAR CARRIER, SS		1
474	2293402	SCREW-5/16-18, SHCS, RIE,STEEL		6
476	2994340	INNER ARM ASSEMBLY, SHORT, FW	*45**	1
	2994345	INNER ARM ASSEMBLY, LONG, FW	*52** *60**	1
478	2291961	MOUNT, GAS SPRING, INNER ARM		1
480	2223418	SCREW-1/4-20X 1/2 SS BHCS		2
482	2298405	GAS SPRING, DEPLOY		1
484	2297910	CAM, CYLINDER MOUNT		1
486	2292631	PIN-CLEVIS, 5/16, ZP		1
488	2292630	PIN-CLEVIS, 3/8, ZP		3
490	2263006	E-RING,5/16,S/S GAS ASSIST		1
492	2297323	BUSHING, INNER ARM		4
494	2292621	PIN, REAR LATCH, SS		1
496	2353403	SCREW-1/4-20 FLANGED BTTN HEAD		2
498	2261713	WASHER-1/4 FLAT 18-8 SS		2
500	2993900	MOTOR RAMP/MAGNET ASSEMBLY		1
502	2373434	SCREW-1/4-20 X 3/4 SS PPMS		6

▲ Not shown on Parts Diagram.

✱ This part is included in an assembly and cannot be ordered individually.

PARTS DIAGRAM & PARTS LIST



Item	Part #	Description	Notes	Quantity
504	2280405	PULL GRIP, SOFT, BOTTOM (SUB)		1
506	2291400	CABLE, PULL HANDLE, SS		1
508	2280401	PULL GRIP,SFT, TOP,FTX,UTX(SUB)		1
510	2292320	ROPE GUIDE		1
512	2292311	ROPE GUIDE, MACHINED		1
514	2290800	CLAMP, PULL CABLE (SUB)		1
516	2293404	SCREW-SET-#8X 5/16,POINTED,SS		2
518	2993611	LATCH BAR ASSEMBLY		1
520	2292605	PIN-PIVOT FRONT, SS		2
522	2293621	SAFETY LATCH		1
524	2292720	SPRING, TORSION, SS		1
526	2292301	PULLEY, LIFT CABLE		1
528	2297325	BUSHING,PIVOT PIN FRONT		2
530	2297324	BUSHING, PIVOT FRONT		2
532	2283631	RAIL, MACH., MOTOR REST		2
534	2286400	COVER-RAIL, MOTOR REST (SUB)		2
536	2323403	SCREW-1/4-20 X.375 MCH SS CRPH		4
538	2293910	SIDEPLATE, LEFT, SHORT,FW	*45**	1
	2293911	SIDEPLATE, LEFT, LONG, FW	*52** *60**	1
540	2295541	DECAL, SIDEPLATE LEFT FW		1
542	2293915	SIDEPLATE, RIGHT,SHORT,FW	*45**	1
	2293916	SIDEPLATE, RIGHT, LONG,FW	*52** *60**	1
544	2295540	DECAL, SIDEPLATE RIGHT FW		1
546	2323405	SCREW-1/4-20 X 1/2" MCH SS		8
548	2293412	SCREW-5/16-18 X 2.25 SHCS, RIE		2
550	2291700	WASHER-5/16, M8 WEDGE LCK		2
▲	2295801	HANG TAG, ULTREX 2		1
▲	2285803	HANG TAG, WARNING, FORTREX		1
▲	2006819	LABEL-CARTON "CAUTION HEAVY"		1
▲	2006522	LABEL, PROP 65 WARNING LG DI2		1
▲	2285801	HANG TAG, HOOK AND LOOP STRAP		1
▲	2015800	HANG TAG "CAUTION..TILT HINGE"		1
552	2263806	STRAP-HLD DWN,33",HOOK&LP		1
554	2293406	SCREW-5/16-18X2.25"PPH SS		6
556	2223100	NUT-5/16-18 NYLOCK S/S		6
558	2291701	WASHER-5/16 X 1.5 FLAT SS		6
560	2378608	ANTI SEIZE TUBE, 4CC, TALON		1
562	2292619	PIN, UPPER SHOCK		1
564	2293408	SCREW - #8-32X.375 FLNG HEX HEAD SS		2
▲	2292005	TUBE-PAPER, LA CYLINDER		1
566	2073100	NUT-HEX 1/4-20 NYLOC-JAM SS		2
568	3394722	INSERT, PUSH ON		2
570	2291954	LATCH WEAR RAMP		2
572	2293409	SCREW-M4 X 8MM, BHSS, SS		6

▲ Not shown on Parts Diagram.

✘ This part is included in an assembly and cannot be ordered individually.



NOTES



A large area of the page containing numerous horizontal lines, designed for writing notes.



RECOMMENDED ACCESSORIES

› ON-BOARD & PORTABLE BATTERY CHARGERS

Stop buying new batteries and start taking care of the ones you've got. Many chargers can actually damage your battery over time – creating shorter run times and shorter overall life. Digitally controlled Minn Kota chargers are designed to provide the fastest charge that protect and extend battery life.



MK212PCL



MK210D



MK110PD

› TALON SHALLOW WATER ANCHOR

Talon is the only shallow water anchor with up to 15' of anchoring depth, multiple anchoring modes, and control from the bow, transom, console, remote or mobile device.



BUILT-IN WORK LIGHT

Lets you tie lines and work from the transom any time of day — or night. Includes both white and blue LED lights with three brightness settings.



BLUETOOTH® CONNECTIVITY

Lets you control Talon from your mobile device and easily update it. Also opens up communication to other control options.



UP TO 15' DEEP

Control more water and catch more fish with the first 15' shallow water anchor.



MORE CONTROL OPTIONS

- Control Panel
- Wireless Remote
- Mobile App
- Wireless Foot Switch
- Humminbird® Connectivity
- Advanced GPS Navigation System Remote



› MINN KOTA ACCESSORIES

We offer a wide variety of trolling motor accessories, including:

- 60-Amp Circuit Breaker
- Mounting Brackets
- Stabilizer Kits
- Extension Handles
- Battery Connectors
- Battery Boxes
- Quick Connect Plugs



minnkota.johnsonoutdoors.com    

Part #2297166

Minn Kota Consumer & Technical Service
Johnson Outdoors Marine Electronics, Inc.
PO Box 8129
Mankato, MN 56001

ECN 44003

121 Power Drive
Mankato, MN 56001
Phone (800) 227-6433
Fax (800) 527-4464



©2023 Johnson Outdoors Marine Electronics, Inc.
All rights reserved.

Rev B

09/23