

# ADJUSTING THE STEERING CABLE

## › AutoPilot

The AutoPilot button is located on the bottom-right corner of the Foot Pedal and is indicated by the directional symbol. Pressing the AutoPilot button toggles the feature on and off. The red light next to the AutoPilot icon **IAI** on the Indicator Panel is illuminated when this feature is engaged. When AutoPilot is engaged, a single tone is emitted. There is no tone emitted when AutoPilot is disengaged. AutoPilot can also be controlled using a compatible remote. For more specific directions on how to use AutoPilot, please refer to your remote manual.

## › Steering Lock

When steering the Ultrex with either the foot pedal or a compatible Minn Kota remote, the Steering Lock feature will automatically lock the motor in the last position that was specified, allowing the operator to remove their foot from the pedal or hand from the remote and remain traveling in their chosen direction. The operator can set a new direction at any time by using the foot pedal or remote to rotate the motor. In the event that the motor encounters a solid obstruction, Steering Lock will rotate and lock the motor into a new position to prevent damage.

**NOTICE:** The motor will not auto correct to drive straight when it encounters an obstruction.

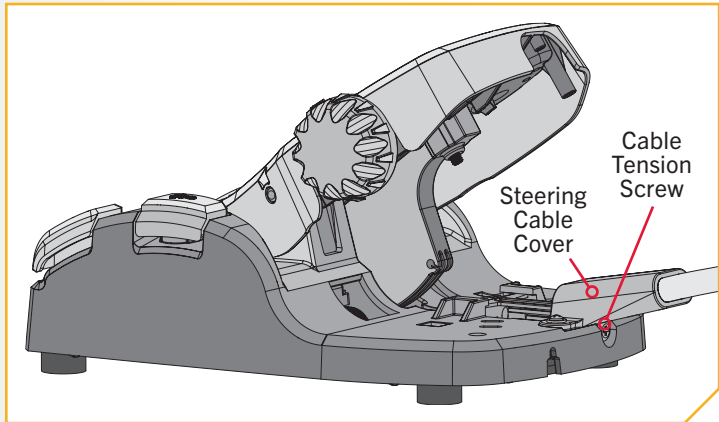
### FOOT PEDAL ADJUSTMENTS ›

## › Adjusting the Steering Cable

The steering cable tension is pre-set at the factory. With regular use, it may need occasional adjustment.

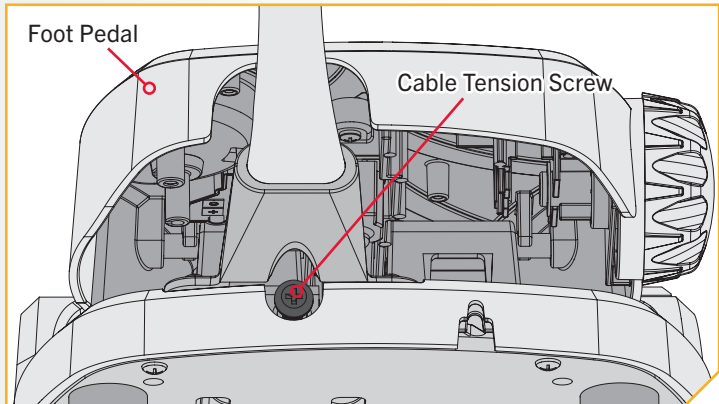
**1**

- a. The Cable Tension Adjustment screw is located at the base of the Foot Pedal on the Toe End. The screw is below the Steering Cable Cover. The tension of the screw can be adjusted using a #3 Phillips Screwdriver.
- b. Turn the screw clockwise to increase tension and counterclockwise to decrease tension.



**⚠ CAUTION**  
If the cable becomes too loose, it may disengage from the Wrap Drum that sits on the Steering Housing or the Cable Pulley in the foot pedal.

**⚠ CAUTION**  
Do not over-tighten the Cable Tension Screw past 10 - 12 in-lbs. Over-tightening the screw will cause damage from excessive tension.



# SERVICE & MAINTENANCE

## PROPELLER REPLACEMENT

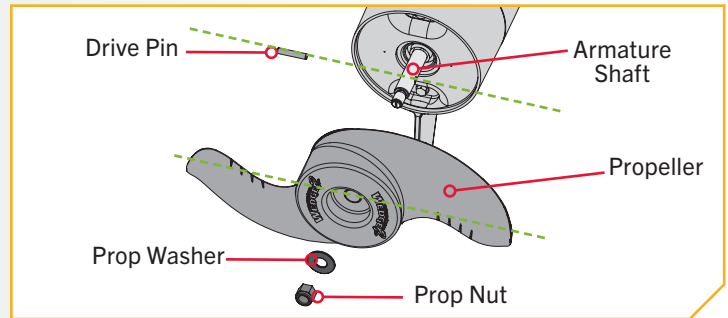
### TOOLS AND RESOURCES REQUIRED >

- 9/16" Open End Wrench
- Flat Blade Screwdriver

### INSTALLATION >

- Disconnect the motor from all sources of power prior to changing the propeller.
  - Hold the propeller and loosen the Prop Nut with pliers or a wrench.
  - Remove the Prop Nut and Prop Washer.

**NOTICE:** If the Drive Pin is sheared or broken, you will need to hold the shaft stationary with a flat blade screwdriver pressed into the slot on the end of the shaft while you loosen the Prop Nut.



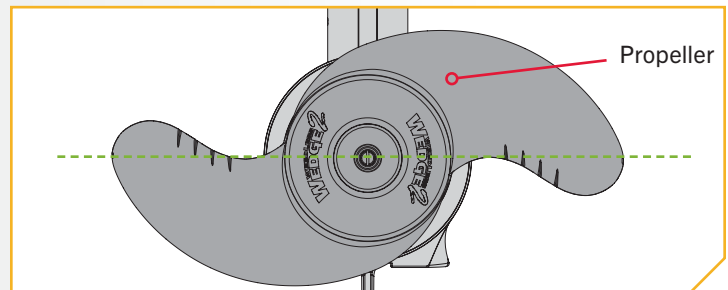
### **CAUTION**

Disconnect the motor from the battery before beginning any prop work or maintenance.

- Turn the old prop to horizontal and pull it straight off. If drive pin falls out, push it back in.

### **CAUTION**

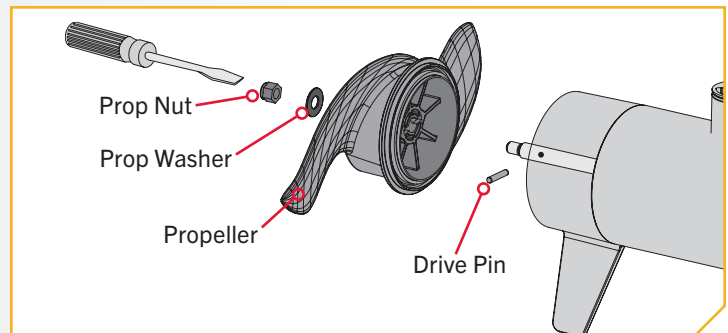
If the prop does not readily slide off, take care not to bend the Armature Shaft while removing the prop by pulling the prop evenly off the Armature Shaft.



- Align the new Propeller with the Drive Pin.
  - Install the Prop Washer and Prop Nut.
  - Tighten the Prop Nut 1/4 turn past snug at 25-35 inch-lbs.

### **CAUTION**

Do not over-tighten as this can damage the prop.



# REMOVAL OF THE STEERING MODULE

## REMOVAL OF THE STEERING MODULE

### › Disconnect the Gas Spring

1



## WARNING

Moving parts can cut or crush. The gas-assist lift mechanism is under pressure. Disconnect the Gas Spring before removing the motor from the mount. Do not engage the Pull Grip and Cable when the motor is removed from the mount until the Gas Spring is disconnected.

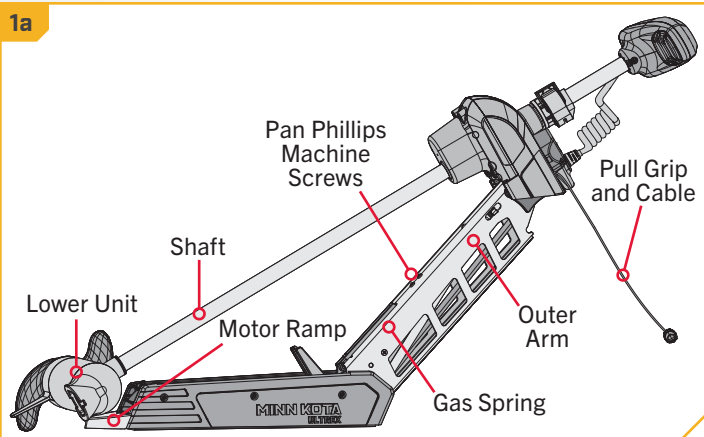
- In order to remove the Steering Module, the Gas Spring needs to be disconnected. Position the motor so that it is halfway between the stowed and deployed position. Allow the motor to be positioned so that the Lower Unit rests on the Motor Ramp.
- To disconnect the Gas Spring, locate the Bracket on the Upper Cylinder inside the Outer Arm. Two Pan Phillips Machine Screws hold the Bracket for the Gas Spring in place. Using a #3 Phillips Screwdriver, loosen and then remove both screws.
- Now it is safe to move the motor into the deployed position to remove the Steering Module.



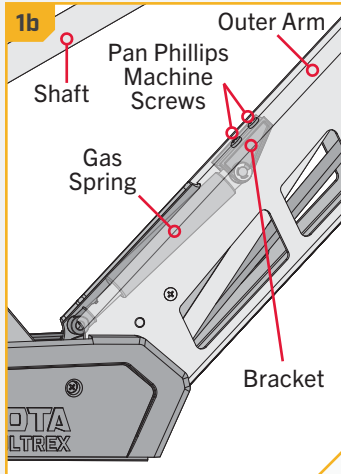
## WARNING

The gas-assist lift mechanism in this unit is under high spring pressure when the motor is in the deployed position. Do not remove the Steering Module assembly from the mount without disconnecting one end of the Gas Spring. Failure to do this can create a condition where accidental pulling of the Pull Grip and Cable may cause the mount to spring open rapidly, striking anyone or anything in the direct path.

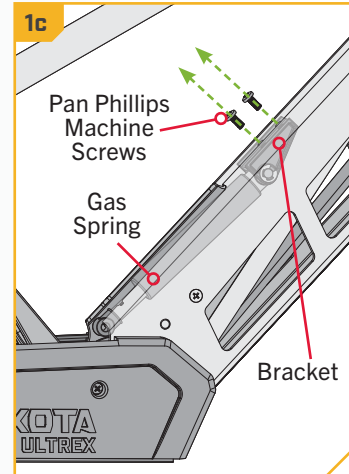
1a



1b



1c



**NOTICE:** Use a #3 Philips Screwdriver to remove the screws. They have a pre-applied thread locker. Failure to use the recommended tool can cause damage and prevent the screws from being removed.

## REMOVE STEERING MODULE FROM MOUNT

### Remove Steering Module from Mount

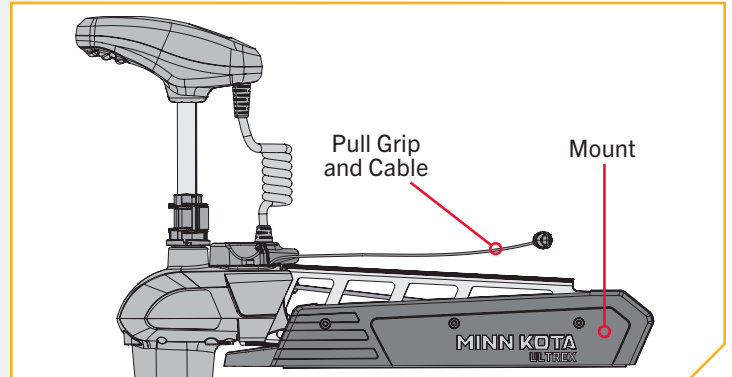
1

- a. With the Gas Spring disconnected, place the motor in the deployed position.



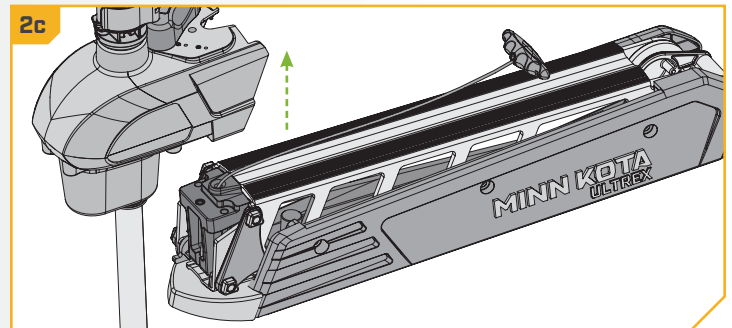
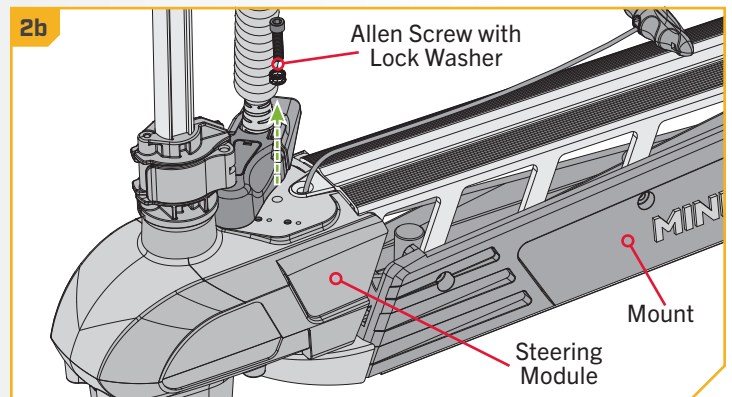
### WARNING

Moving parts can cut or crush. The gas-assist lift mechanism is under pressure. Disconnect the Gas Spring before removing the motor from the mount. Do not engage the Pull Grip and Cable until the Gas Spring is disconnected.



2

- b. Remove the 5/16" Allen Screw with a 1/4" Allen Wrench. The 5/16" Allen Screw is located on the opposite end of the Mount from the hinge that opens and closes when the Mount is stowed and deployed.
- c. Once the Allen Screw and Lock Washer are removed, lift the Steering Module straight up until it is free from the mount.

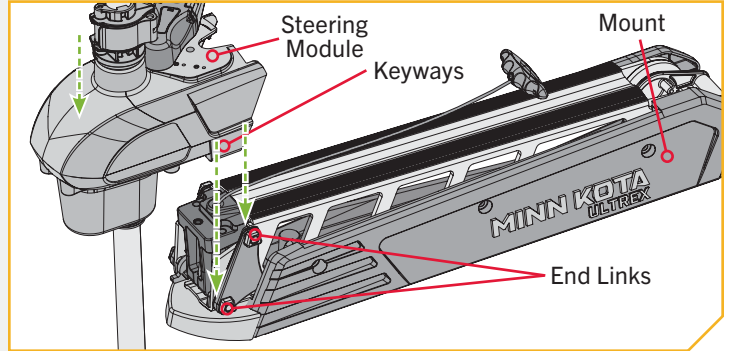


# REASSEMBLE THE STEERING MODULE

## REASSEMBLE THE STEERING MODULE

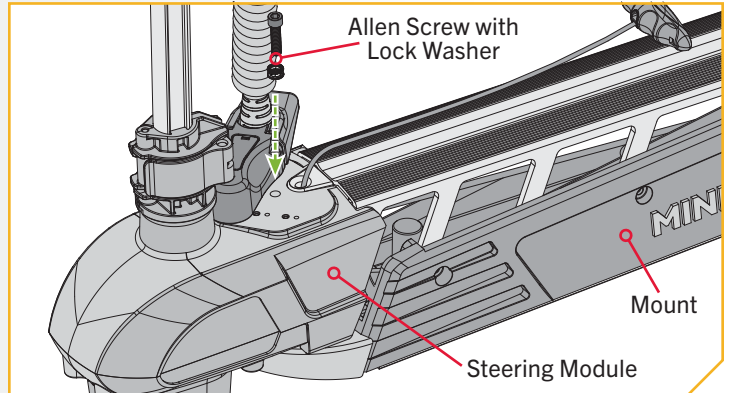
1

- a. To reassemble the Steering Module, start with the Mount in the deployed position.
- b. Align the Keyways on the inside of the Steering Module with the End Links on the Mount. Do this by positioning the Steering Module above the End Links on the Mount.
- c. Lower the Steering Module straight down until seated.



2

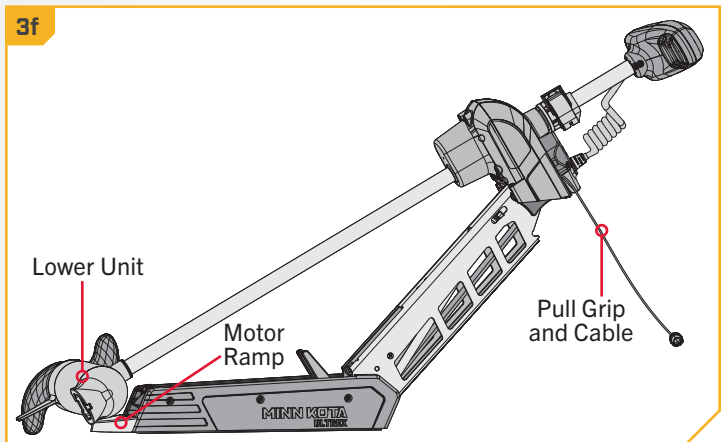
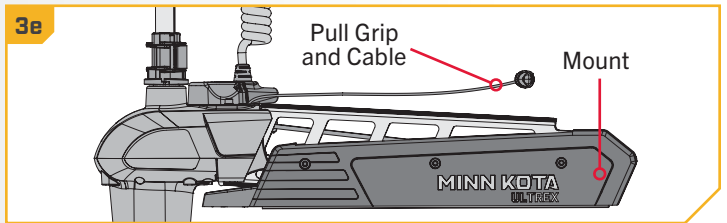
- d. Reinstall the 5/16" Allen Screw and Lock Washer and tighten to 18 to 20 ft-lbs with a Torque Wrench.



## REASSEMBLE THE STEERING MODULE

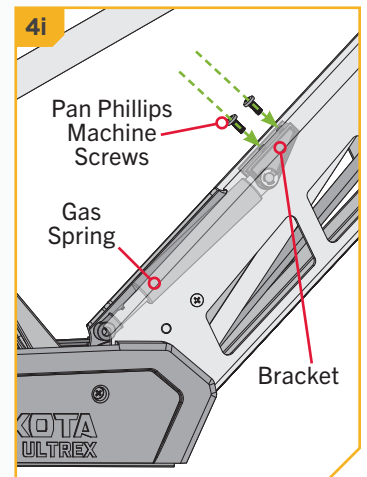
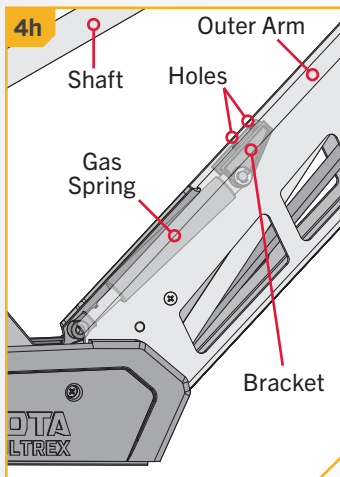
3

- e. Use the Pull Grip and Cable to disengage the Latch Bar on the Mount.
- f. Position the motor so that it is halfway between the stowed and deployed position. Allow the motor to be positioned so that the Lower Unit rests on the Motor Ramp.



4

- g. The Gas Spring is located inside the Outer Arm. Once the motor is correctly positioned, the Gas Spring can be secured in place.
- h. There is a Bracket on the end of the Gas Spring with holes and recessed Nylock Nuts to install the Gas Spring. Align the Bracket at the end of the Gas Spring with the holes in the Outer Arm. The holes in the Outer Arm should be below the Shaft on the Outer Arm.
- i. Take the two Pan Phillips Machine Screws and install them through the holes in the Outer Arm and into the Bracket at the end of the Gas Spring using a #3 Screwdriver. Tighten to 35 in-lbs.



# GENERAL MAINTENANCE



## GENERAL MAINTENANCE

- After use, the entire motor should be rinsed with freshwater. This series of motor is not equipped for saltwater exposure.
- The composite shaft requires periodic cleaning and lubrication for proper retraction and deployment. A coating of an aqueous-based silicone spray will improve operation.
- The propeller must be inspected and cleaned of weeds and fishing line after every use. Fishing line and weeds can get behind the prop, damage the seals and allow water to enter the motor.
- Verify that the prop nut is secure each time the motor is used.
- To prevent accidental damage during transportation or storage, disconnect the battery whenever the motor is off of the water. For prolonged storage, lightly coat all metal parts with an aqueous-based silicone spray.
- For maximum battery life, recharge the battery(s) as soon as possible after use. For maximum motor performance, restore battery to full charge prior to use.
- Keep battery terminals clean with fine sandpaper or emery cloth.
- The propeller is designed to provide weed-free operation with very high efficiency. To maintain this top performance, the leading edge of the blades must be kept smooth. If they are rough or nicked from use, restore to smoothness by sanding with fine sandpaper.
- The rail covers on the motor rest are intended to be a wear item and may need to be replaced periodically.

## TROUBLESHOOTING

1. Motor fails to run or lacks power:
  - Check battery connections for proper polarity.
  - Make sure terminals are clean and corrosion-free. Use fine sandpaper or emery cloth to clean terminals.
  - Check battery water level. Add water if needed.
2. Motor loses power after a short running time:
  - Check battery charge. If low, restore to full charge.
3. Motor is difficult to steer:
  - Loosen the steering tension knob on the bracket
  - Lubricate the composite shaft.
4. You experience prop vibration during normal operation:
  - Remove and rotate the prop 180°. See removal instructions in the Propeller Replacement section.
5. Experiencing interference with your fishfinder:
  - You may, in some applications, experience interference in your depth finder display. We recommend that you use a separate deep-cycle marine battery for your trolling motor and that you power the depth finder from the starting/cranking battery. If problems still persist, call our service department at 1-800-227-6433.

**NOTICE:** For all other malfunctions, visit an Authorized Service Center. You can search for an Authorized Service Center in your area by visiting [minnkota.johnsonoutdoors.com](http://minnkota.johnsonoutdoors.com), or by calling our customer service number at 800-227-6433.



# FOR FURTHER TROUBLESHOOTING AND REPAIR

---

## FOR FURTHER TROUBLESHOOTING AND REPAIR

We offer several options to help you troubleshoot and/or repair your product. Please read through the options listed below.



### Buy Parts Online

You can buy parts online directly from our website at [minnkota.johnsonoutdoors.com](http://minnkota.johnsonoutdoors.com). From screws to sideplates, you can order replacement parts for your Minn Kota products.



### Frequently Asked Questions

Find answers to general inquiries, battery and rigging installation, and networking scenarios. We have FAQs available on our website at [minnkota.johnsonoutdoors.com](http://minnkota.johnsonoutdoors.com) to help answer all of your Minn Kota questions.



### Call Us (for U.S. and Canada)

Our consumer service representatives are available Monday – Friday between 7:00 a.m. – 4:30 p.m. CST at 800-227-6433. If you are calling to order parts, please have the 11-character serial number from your product, specific part numbers, and credit card information available. This will help expedite your call and allow us to provide you with the best consumer service possible. You can reference the parts list located in your manual to identify the specific part numbers.



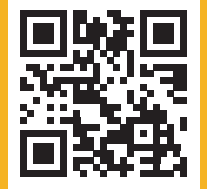
### Contact Us

You can contact our consumer service department with questions regarding your Minn Kota products. To inquire, visit [minnkota.johnsonoutdoors.com](http://minnkota.johnsonoutdoors.com).



### Authorized Service Centers

Minn Kota has over 800 authorized service centers in the United States and Canada where you can purchase parts or get your products repaired. Please visit our website to locate a service center in your area.



Scan to visit  
Minn Kota  
service online.



# COMPLIANCE STATEMENTS

## ENVIRONMENTAL COMPLIANCE STATEMENT

It is the intention of JOME to be a responsible corporate citizen, operating in compliance with known and applicable environmental regulations, and a good neighbor in the communities where we make or sell our products.

### WEEE DIRECTIVE

EU Directive 2002/96/EC “Waste of Electrical and Electronic Equipment Directive (WEEE)” impacts most distributors, sellers, and manufacturers of consumer electronics in the European Union. The WEEE Directive requires the producer of consumer electronics to take responsibility for the management of waste from their products to achieve environmentally responsible disposal during the product life cycle.

WEEE compliance may not be required in your location for electrical & electronic equipment (EEE), nor may it be required for EEE designed and intended as fixed or temporary installation in transportation vehicles such as automobiles, aircraft, and boats. In some European Union member states, these vehicles are considered outside of the scope of the Directive, and EEE for those applications can be considered excluded from the WEEE Directive requirement.

This symbol (WEEE wheelee bin) on product indicates the product must not be disposed of with other household refuse. It must be disposed of and collected for recycling and recovery of waste EEE. Johnson Outdoors Inc. will mark all EEE products in accordance with the WEEE Directive. It is our goal to comply in the collection, treatment, recovery, and environmentally sound disposal of those products; however, these requirements do vary within European Union member states. For more information about where you should dispose of your waste equipment for recycling and recovery and/or your European Union member state requirements, please contact your dealer or distributor from which your product was purchased.



### DISPOSAL

Minn Kota motors are not subject to the disposal regulations EAG-VO (electric devices directive) that implements the WEEE directive. Nevertheless never dispose of your Minn Kota motor in a garbage bin but at the proper place of collection of your local town council.

Never dispose of battery in a garbage bin. Comply with the disposal directions of the manufacturer or his representative and dispose of them at the proper place of collection of your local town council.

## REGULATORY COMPLIANCE INFORMATION

### › Motors with Advanced GPS Navigation

For regulatory information on motors with Advanced GPS Navigation, please refer to the Advanced GPS Navigation Manual online at [minnkota.johnsonoutdoors.com](http://minnkota.johnsonoutdoors.com).



## FCC COMPLIANCE

This device complies with Part 15 of the FCC rules. **Operation is subject to the following two conditions:**

1. This device may not cause harmful interference.
2. This device must accept any interference that may be received, including interference that may cause undesired operation.

Changes or modifications not expressly approved by Johnson Outdoors Marine Electronics, Inc. could void the user’s authority to operate this equipment.

**NOTICE:** This equipment has been tested and found to comply with the limits for a Class B digital device, pursuant to part 15 of the FCC Rules. These limits are designed to provide reasonable protection against harmful interference in a residential installation. This equipment generates, uses and can radiate radio frequency energy and, if not installed and used in accordance with the instructions, may cause harmful interference to radio communications. However, there is no guarantee that interference will not occur in a particular installation. **If this equipment does cause harmful interference to radio or television reception, which can be determined by turning the equipment off and on, the user is encouraged to try to correct the interference by one or more of the following measures:**

- Reorient or relocate the receiving antenna.
- Increase the separation between the equipment and receiver.
- Connect the equipment into an outlet on a circuit different from that to which the receiver is connected.
- Consult the dealer or an experienced radio/TV technician for help.

## INDUSTRY CANADA COMPLIANCE

This product meets the applicable Industry Canada technical specifications. Operation is subject to the following two conditions: (1) this device may not cause interference, and (2) this device must accept any interference, including interference that may cause undesired operation of the device.

Changes or modifications not expressly approved by Johnson Outdoors Marine Electronics, Inc. could void the user’s authority to operate this equipment.

## ENVIRONMENTAL RATINGS

Ambient operating temperature range: -10C to 50C

Ambient operating humidity range: 5% to 95%

Maximum operating altitude: 10,000 feet



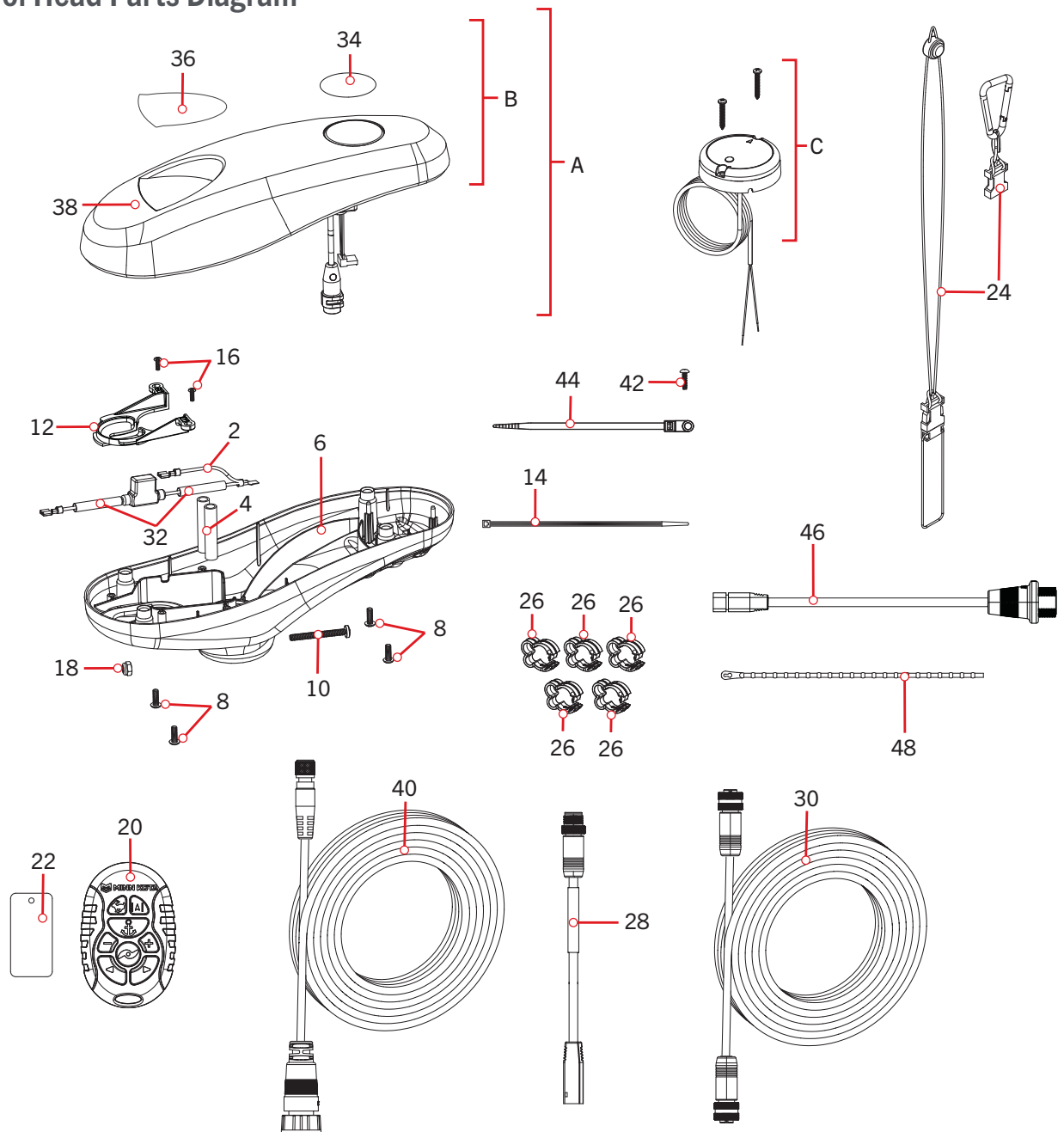
# PARTS DIAGRAM & PARTS LIST

## ULTREX - 80/112 LBS THRUST - 24/36 VOLT - 45"/52"/60" SHAFT

The parts diagram and parts list provides Minn Kota® WEEE compliance disassembly instructions. For more information about where you should dispose of your waste equipment for recycling and recovery and/or your European Union member state requirements, please contact your dealer or distributor from which your product was purchased. Tools required, but not limited to: flat head screwdriver, Phillips screwdriver, socket set, pliers, wire cutters.

### ULTREX CONTROL HEAD >

#### > Control Head Parts Diagram



# PARTS DIAGRAM & PARTS LIST

## Control Head Parts List

Assembly	Part #	Description	Notes	Quantity
A	2774103	CONTROLLER,ADV GPS NAV,TRV/UTX		1
B	2770242	CVR KIT, ADV GPS NAV, TRV/UTX	*COVER & DECALS ONLY*	1
C	2996400	HEADING SENSOR ASSEMBLY		1
Item	Part #	Description	Notes	Quantity
▲	✘	SEAL, BUNG LOWER		1
▲	✘	SEAL, BUNG UPPER		1
2	2218201	FUSE HOLDER ASSEMBLY		1
4	2065400	WIRE INSULATOR-LGE 1-3/4,BLUE		2
6	2292500	CONTROL BOX, ULTREX, T2		1
8	2372100	SCREW-#8-18 X 5/8 THD* (SS)		4
10	2263406	SCREW-#10-24 X 2" S/S PPH		1
12	2224706	PLUG, SCREW-DOWN, BLK		1
14	9953310	TIE WRAP-8.5"		1
16	2203441	SCREW-#6 X 1/2" THRD FORM,SSTL		2
18	2333101	NUT-HEX #10-24 UNC-2B NYL SS		1
20	2994175	REMOTE ASM, MICRO REMOTE		1
22	2394110	TAG, MICRO REMOTE		1
24	2390802	LANYARD w/CARABINR,IP RMT		1
26	2290844	CLIP, CABLE ROUTING		5
28	490380-1	CABLE, ETHERNET PIGTAIL-700 HD		1
30	490384-4	CABLE, ETHERNET (M12-M12), 30'		1
32	2375400	SHRINK TUBE-1/4OD X 1-3/4		2
34	2395524	DECAL, DOMED FW		1
36	2395573	DECAL,PUSH BTN TOP 80 LB	*80LB*	1
	2395574	DECAL,PUSH BTN TOP 112 LB	*112LB*	1
38	✘	COVER,CTRL BOX iP, PD PRINTED		1
40	490575-2	CABLE, ADPTR, 14 PIN, 175"-DSC	*DUAL SPECTRUM CHIRP*	1
	490507-2	CABLE, ADP-INT MDI 14 M12-174"	*BUILT-IN MEGA DOWN IMAGING*	1
42	2203441	SCREW-#6 X 1/2" THRD FORM, SSTL		1
44	2206302	TIE WRAP, SCREW MOUNT 6.3"		1
46	2994961	BAG ASM, CABLE,ADPTR, 490537-2	*490537-2* *MKR-MI-1*	1
48	2206304	TIE WRAP, REUSABLE RED, 6"		1
▲	2205412	SHRINK TUBE-.75 ID X 2"		1
▲	2297165	MANUAL DISCLAIMER DOWNLOAD INFO		1
▲	2297162	MANUAL, ULTREX		1
▲	2297163	QCK REF/INSTALL GUIDE,UTX		1

▲ Not shown on Parts Diagram.

✘ This part is included in an assembly and cannot be ordered individually.

# PARTS DIAGRAM & PARTS LIST



Item	Part #	Description	Notes	Quantity
▲	2394900	INSTRUCTIONS, HEADING SENSOR		1
▲	2207131	STANDARD QS SETUP GUIDE		1
▲	2205810	DECAL-MINN KOTA 12" PROMO		1
▲	2394910	INSTRC. SHEET, MICRO REMO		1
▲	2394912	QCK. REF. GUIDE, MICRO REMOTE		1
▲	2294950	INSTRC-OBN & REMOTE PAIR		1

▲ Not shown on Parts Diagram.

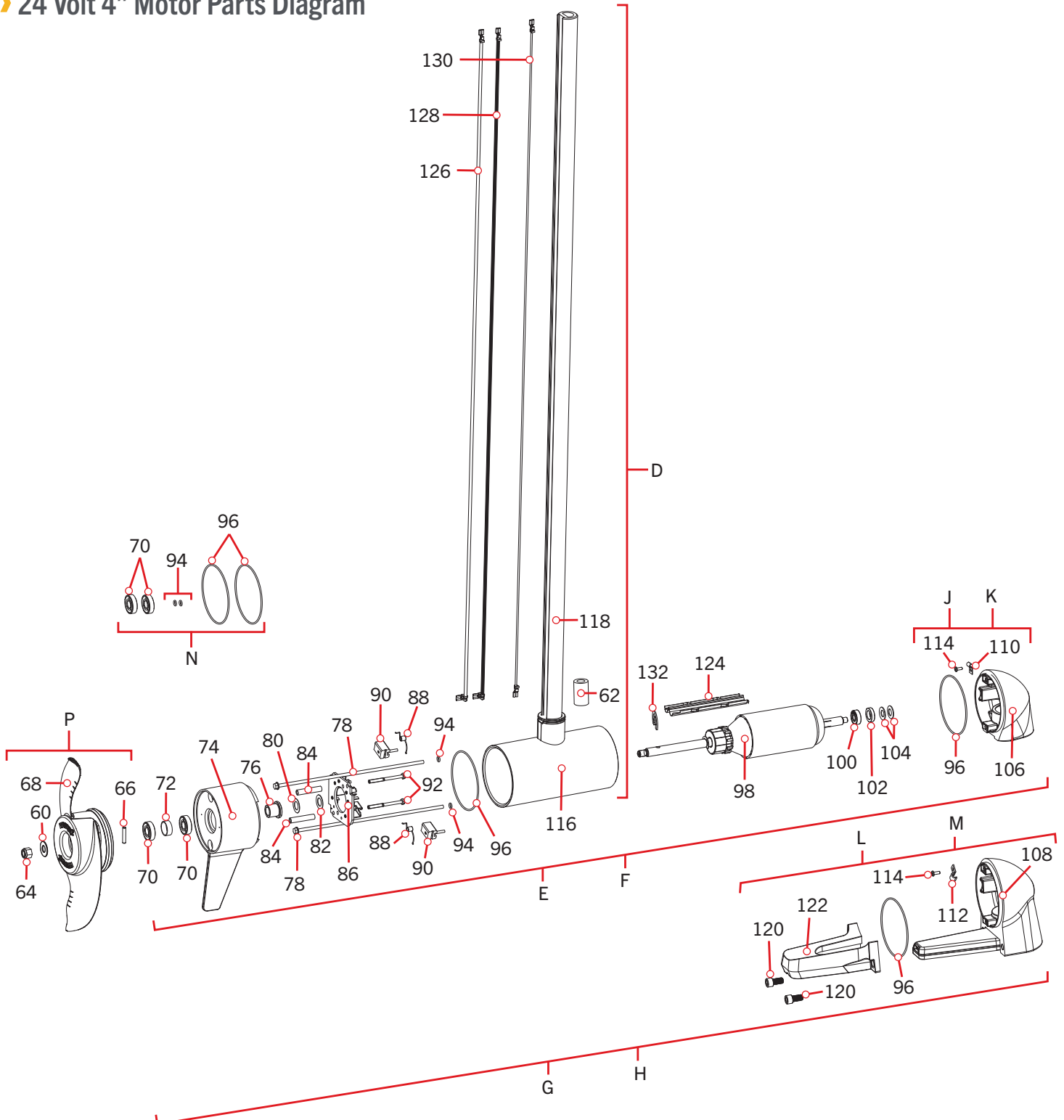
✘ This part is included in an assembly and cannot be ordered individually.



# PARTS DIAGRAM & PARTS LIST

## ULTREX 24 VOLT 4" MOTOR

### 24 Volt 4" Motor Parts Diagram



# PARTS DIAGRAM & PARTS LIST

## 24 Volt 4" Motor Parts List

Assembly	Part #	Description	Notes	Quantity
D	2777196	CTR HSG,CB,80#,FW, UP TO 60"	*CENTER SECTION & TUBE* *CUT TO LENGTH* *BUILT-IN MEGA DOWN IMAGING*	1
E	2437025	MTR ASY 24V 4" 80# DSC CB	*DUAL SPECTRUM CHIRP* *45"*	1
F	2437026	MTR ASY 24V 4" 80# DSC CB	*DUAL SPECTRUM CHIRP* *52"*	1
G	2777135	MTR/TUBE ASM 80# 45"UTX/MDI BT	*BUILT-IN MEGA DOWN IMAGING* *45"* *MOTOR & TUBE*	1
H	2777131	MTR/TUBE ASM 80# 52"UTX/MDI BT	*BUILT-IN MEGA DOWN IMAGING* *52"* *MOTOR & TUBE*	1
J	2993020	PLN END HSG/TRDCR 4.0 DSC	*DUAL SPECTRUM CHIRP* *45"*	1
K	2993021	PLN END HSG/TRDCR 4.0 DSC	*DUAL SPECTRUM CHIRP* *52"*	1
L	2993001	PLN END HSG/TRNDCR 4.0 MDI ASM	*BUILT-IN MEGA DOWN IMAGING* *45"*	1
M	2993003	PLN END HSG/TRNDCR 4.0 MDI ASM	*BUILT-IN MEGA DOWN IMAGING* *52"*	1
N	2889460	80# THRUST SEAL KIT		1
P	1378132	80# THRUST PROP KIT		1
Item	Part #	Description	Notes	Quantity
60	2091701	WASHER-PROP (LARGE)		1
62	✖	BEAD-FERRITE		1
64	2093101	NUT-PROP,NYLOC,LG,MX101 3/8 SS		1
66	2262658	PIN-DRIVE 1" X 3/16" S/S		1
68	2331161	PROP-WW2 4" WELDED		1
70	880-025	SEAL		2
72	725-095	PAPER TUBE - SEAL BORE		1
74	92-300-170	BRUSH END HSG ASY 4.0 FW		1
76	144-017	BEARING - FLANGE		1
78	830-095	THRU BOLT 12-24 x 9.79		2
80	990-052	WASHER - NYLATRON		1
82	990-051	WASHER - STEEL THRUST		1
84	973-025	SPACER - BRUSHPLATE		2
86	9-738-015	BRUSH PLATE-4" terminal		1
88	975-041	SPRING - TORSION		2
90	188-094	BRUSH W/TERMINAL		2
92	830-027	SCREW - SELF-THREAD 10-32X2.25		2
94	701-009	O-RING	*THRU-BOLT*	2
96	701-043	O-RING		2
98	2-100-214	ARM ASSY 24V 4" 80# (WW2)		1
100	140-010	BEARING - BALL		1
102	990-045	SPACER - THRUST		1
104	992-010	WASHER - BELLEVILLE		2
106	✖	PLN END 4.0"US2.5/DSC PNT	*DUAL SPECTRUM CHIRP*	1

▲ Not shown on Parts Diagram.

✖ This part is included in an assembly and cannot be ordered individually.

## PARTS DIAGRAM & PARTS LIST

Item	Part #	Description	Notes	Quantity
108	✘	PLAIN END HOUSING, PNT 4.0 DI	*BUILT-IN MEGA DOWN IMAGING*	1
110	230-038	CABLE CLAMP	*DUAL SPECTRUM CHIRP*	1
112	230-040	CABLE CLAMP, 1/4" STEEL	*BUILT-IN MEGA DOWN IMAGING*	1
114	2302104	SCREW-#6-20 X 3/8 THD CUTS,RIE		1
116	✘	CTR HSG ASY 4.0 FW -MGNTZ		1
118	✘	TUBE-COMP,BLK,48",1/4" WALL	*45"*	1
	✘	TUBE-CMP,BLK,54",1/4" WALL	*52"*	1
120	830-110	SCREW 5-16 - 18 X 5/8 SHCS SS	*BUILT-IN MEGA DOWN IMAGING*	2
122	792-001	GUARD TRANSDUCER, PNT 4.0 DI	*BUILT-IN MEGA DOWN IMAGING*	1
124	582-013	CLIP, RETAINING SHORT		1
126	640-118	LEADWIRE RED 10 AWG 56 XLP	*45"*	1
	640-132	LEADWIRE RED 10AWG 60-1/4 XLP	*52"*	1
128	640-016	LEADWIRE BLK 10 AWG 56 1/2 XLP	*45"*	1
	640-017	LEADWIRE BLK 10 AWG 61 XLP	*52"*	1
130	640-315	LEADWIRE BROWN 18 AWG 62" GPT	*45"*	1
	640-316	LEADWIRE BROWN 18 AWG 71" GPT	*52"*	1
132	788-040	RETAINING RING		1
▲	✘	DSC XDUCER ASSY 62" HW T	*DUAL SPECTRUM CHIRP* *45"*	1
	✘	DSC XDUCER ASSY 73" HW T	*DUAL SPECTRUM CHIRP* *52"*	1
▲	✘	SCREW-#6-32X1/2"TORX PH SS	*DUAL SPECTRUM CHIRP*	3
▲	✘	BUILT- IN MDI 63"	*BUILT-IN MEGA DOWN IMAGING* *45"*	1
	✘	BUILT- IN MDI 74"	*BUILT-IN MEGA DOWN IMAGING* *52"*	1
▲	✘	SCREW-#6-20 X 3/4"THR D CUT,RIE	*BUILT-IN MEGA DOWN IMAGING*	3
▲	810-001	RIVET-.25"		6
▲	2260730	CONNECTOR 1/4 MALE TAB QD		2

▲ Not shown on Parts Diagram.

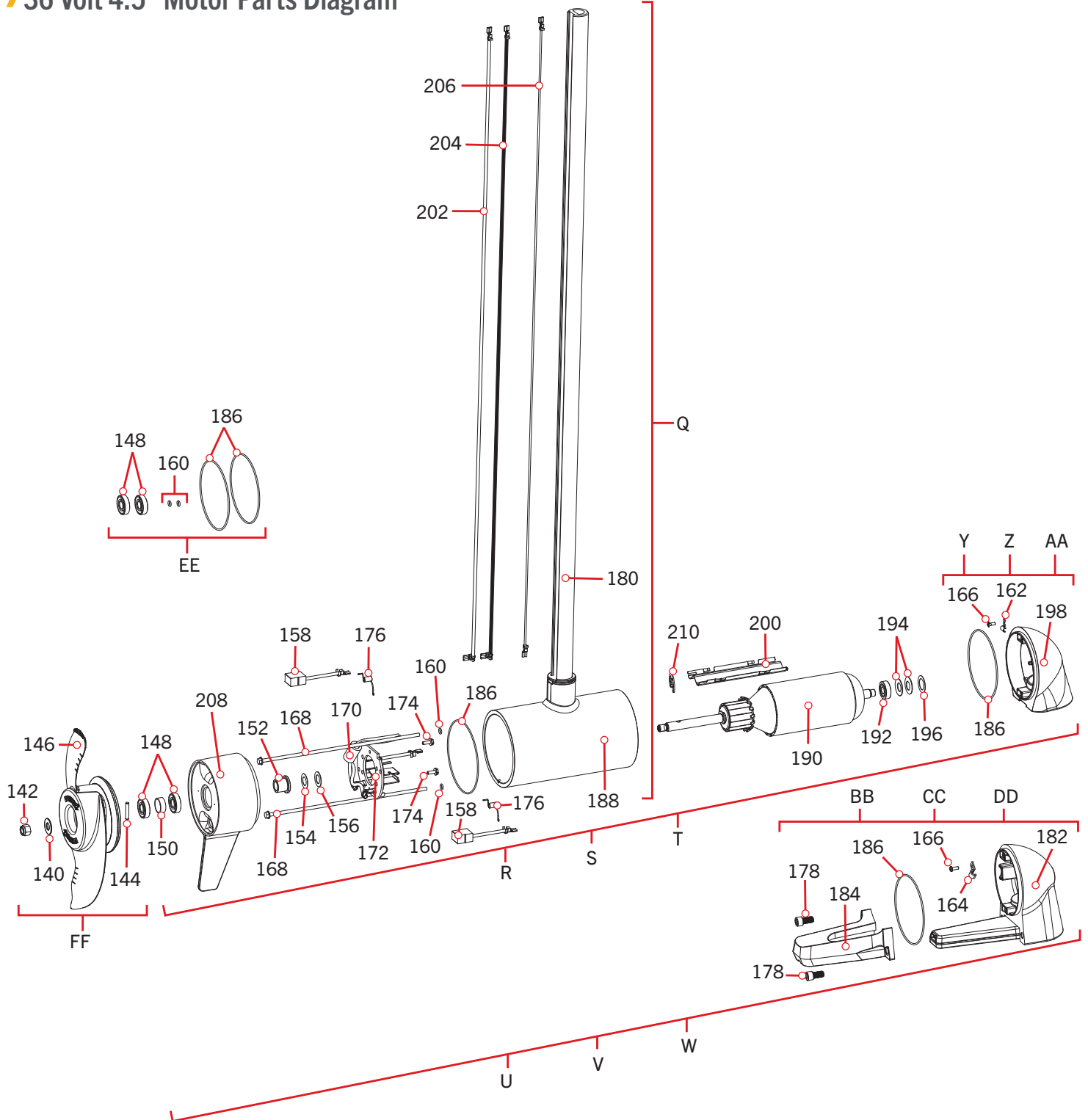
✘ This part is included in an assembly and cannot be ordered individually.



# PARTS DIAGRAM & PARTS LIST

ULTREX 36 VOLT 4.5" MOTOR >

## > 36 Volt 4.5" Motor Parts Diagram



# PARTS DIAGRAM & PARTS LIST

## 36 Volt 4.5" Motor Parts List

Assembly	Part #	Description	Notes	Quantity
Q	2777241	CTR HSG,CB,112#,FW, UP TO 60"	*CENTER SECTION & TUBE* *CUT TO LENGTH* *BUILT-IN MEGA DOWN IMAGING*	1
R	2437065	MTR ASY 36V 4.5" 112# DSC	*DUAL SPECTRUM CHIRP* *45"* *MOTOR & TUBE*	1
S	2437066	MTR ASY 36V 4.5" 112# DSC	*DUAL SPECTRUM CHIRP* *52"* *MOTOR & TUBE*	1
T	2437067	MTR ASY 36V 4.5" 112# DSC	*DUAL SPECTRUM CHIRP* *60"* *MOTOR & TUBE*	1
U	2777150	MTR/TUBE ASM 112#45"UTX/MDI BT	*BUILT-IN MEGA DOWN IMAGING* *45"* *MOTOR & TUBE*	1
V	2777151	MTR/TUBE ASM 112#52"UTX/MDI BT	*BUILT-IN MEGA DOWN IMAGING* *52"* *MOTOR & TUBE*	1
W	2777153	MTR/TUBE ASM 112#60"UTX/MDI BT	*BUILT-IN MEGA DOWN IMAGING* *60"* *MOTOR & TUBE*	1
Y	2993022	PLN END HSG/TRDCR 4.5 DSC	*DUAL SPECTRUM CHIRP* *45"*	1
Z	2993023	PLN END HSG/TRDCR 4.5 DSC	*DUAL SPECTRUM CHIRP* *52"*	1
AA	2993024	PLN END HSG/TRDCR 4.5 DSC	*DUAL SPECTRUM CHIRP* *60"*	1
BB	2993052	PLN END HSG/TRNDCR 4.5 MDI	*BUILT-IN MEGA DOWN IMAGING* *45"*	1
CC	2993059	PLN END HSG/TRNDCR 4.5 MDI	*BUILT-IN MEGA DOWN IMAGING* *52"*	1
DD	2993056	PLN END HSG/TRNDCR 4.5 MDI	*BUILT-IN MEGA DOWN IMAGING* *60"*	1
EE	2881450	SEAL & O-RING KIT 112#		1
FF	1378160	PROP KIT 2341160 112# WW2		1
Item	Part #	Description	Notes	Quantity
140	2091701	WASHER-PROP (LARGE)		1
142	2093101	NUT-PROP,NYLOC,LG,MX101 3/8 SS		1
144	2262658	PIN-DRIVE 1" X 3/16" S/S		1
146	2341161	PROP-WW2(4.5)W/ADP.RING		1
148	880-025	SEAL		2
150	725-095	PAPER TUBE - SEAL BORE		1
152	144-017	BEARING - FLANGE		1
154	990-052	WASHER - NYLATRON		1
156	990-051	WASHER - STEEL THRUST		1
158	188-095	BRUSH		2
160	701-009	O-RING, THRU BOLTS	*THRU-BOLT*	2
162	230-038	CABLE CLAMP	*DUAL SPECTRUM CHIRP*	1
164	230-040	CABLE CLAMP, 1/4" STEEL	*BUILT-IN MEGA DOWN IMAGING*	1
166	2302104	SCREW-#6-20 X 3/8 THD CUTS,RIE		1
168	830-094	THRU BOLT 12-24 X10.31		2
170	2307312	BEAD-FERRITE		1
172	9-738-011	BRUSH PLATE ASSY, 4.5"		1
174	2053410	SCREW-BRUSH PLATE, 10-32		2
176	975-045	SPRING-TORSION		2
178	830-110	SCREW-5-16-18 X 5/8 SHCS SS	*BUILT-IN MEGA DOWN IMAGING*	2

▲ Not shown on Parts Diagram.

✳ This part is included in an assembly and cannot be ordered individually.

# PARTS DIAGRAM & PARTS LIST



Item	Part #	Description	Notes	Quantity
180	✘	TUBE-COMP,BLK,48",1/4" WALL	*45"*	1
	✘	TUBE-CMP,BLK,54",1/4" WALL	*52"*	1
	✘	TUBE-COMP,BLK,60",w/1/4" WALL	*60"*	1
182	✘	PLAIN END HSG, PNT 4.5 DI	*BUILT-IN MEGA DOWN IMAGING*	1
184	792-005	GUARD, TRANSDUCER, PNT 4.5 DI	*BUILT-IN MEGA DOWN IMAGING*	1
186	701-098	O-RING, 98MM X 2MM		2
188	✘	CTR HSG ASY 4.5" MAG FW CB TER		1
190	2-100-245	ARMATURE ASY 4.5"LWR UNIT		1
192	140-014	BEARING-BALL		1
194	992-011	WASHER-BELLEVILLE		2
196	990-011	WASHER-SHIM OD 1",ID.630"SS		1
198	✘	PLN END 4.5"US2.5/DSC PNT	*DUAL SPECTRUM CHIRP*	1
200	582-016	CLIP-RETAINING, SONAR		1
202	640-140	LEADWIRE RED 10AWG 61 1/2" GPT	*45"*	1
	640-142	LEADWIRE RED 10AWG 65" GPT	*52"*	
	640-145	LEADWIRE RED 10AWG 75 7/8" GPT	*60"*	1
204	640-040	LEADWIRE BLK 10AWG 62 1/4" GPT	*45"*	1
	640-042	LEADWIRE BLK 10AWG 66 1/4" GPT	*52"*	1
	640-039	LEADWIRE BLK 10 AWG 74" GPT	*60"*	1
206	640-315	LEADWIRE BROWN 18 AWG 62" GPT	*45"* *52"*	1
	640-316	LEADWIRE BROWN 18 AWG 71" GPT	*60"*	1
208	92-300-175	BRUSH END HSG 4.5" FW		1
210	788-040	RETAINING RING		1
▲	✘	DSC XDUCER ASSY 67" HW T	*DUAL SPECTRUM CHIRP* *45"*	1
	✘	DSC XDUCER ASSY 73" HW T	*DUAL SPECTRUM CHIRP* *52"*	1
	✘	DSC XDUCER ASSY 79" HW T	*DUAL SPECTRUM CHIRP* *60"*	1
▲	✘	SCREW-#6-32X1/2"TORX PH SS	*DUAL SPECTRUM CHIRP*	3
▲	✘	BUILT- IN MDI 68"	*BUILT-IN MEGA DOWN IMAGING* *45"*	1
	✘	BUILT- IN MDI 74"	*BUILT-IN MEGA DOWN IMAGING* *52"*	1
	✘	BUILT- IN MDI 80"	*BUILT-IN MEGA DOWN IMAGING* *60"*	1
▲	✘	SCREW-#6-32X1/2"TORX PH SS	*BUILT-IN MEGA DOWN IMAGING*	3
▲	810-001	RIVET-.25"		8
▲	2260731	TERMINAL 1/4" MALE TAB-THREE		2

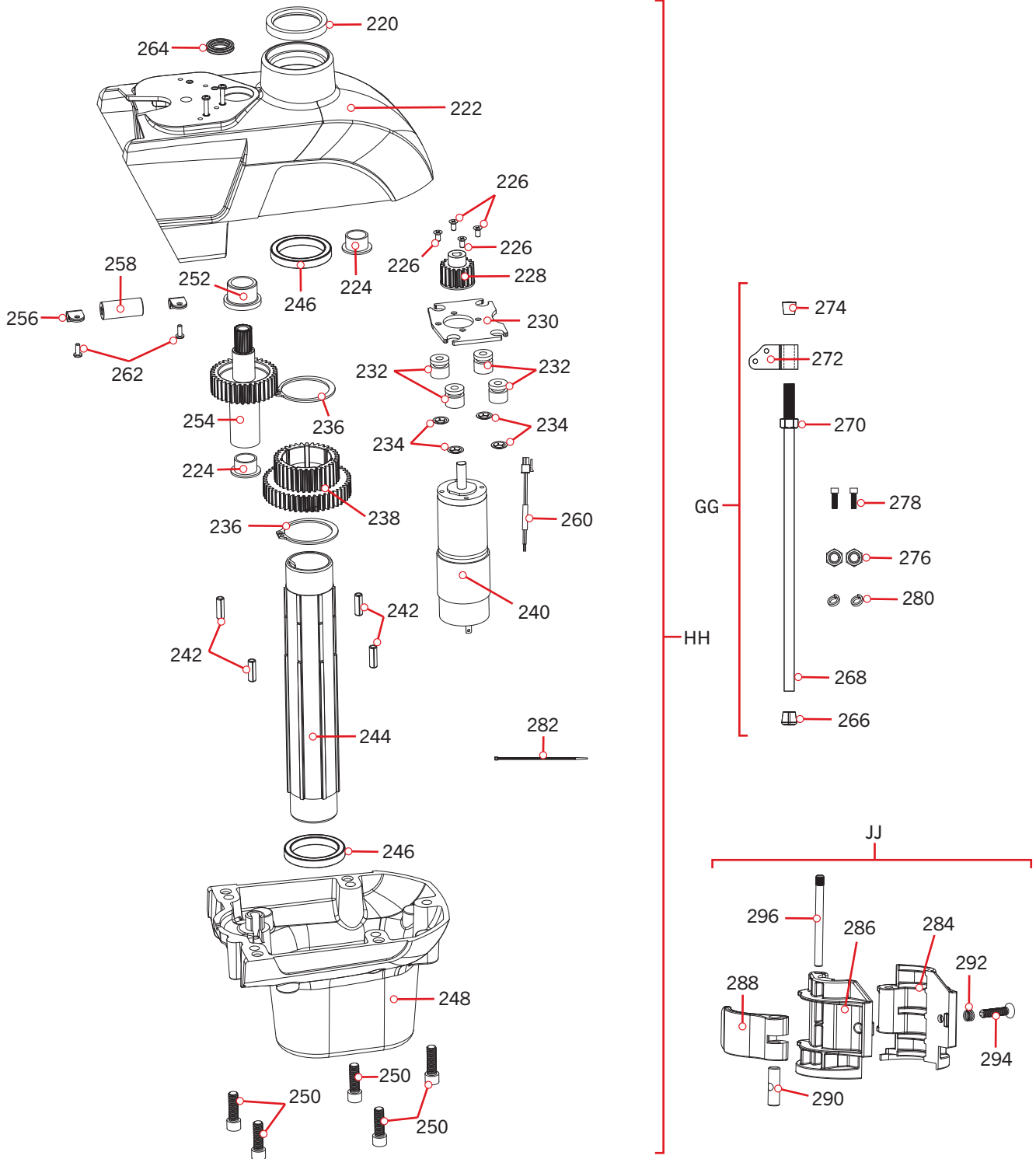
▲ Not shown on Parts Diagram.

✘ This part is included in an assembly and cannot be ordered individually.



ULTREX STEERING MODULE >

> Steering Module Parts Diagram



# PARTS DIAGRAM & PARTS LIST

## › Steering Module Parts List

Assembly	Part #	Description	Notes	Quantity
GG	2991925	BRACKET,STABILZR ARM ASY		1
HH	2991896	STEERING MODULE ASM FW		1
JJ	2991531	CLAMP COLLAR ASM 1.3" DIA		1
Item	Part #	Description	Notes	Quantity
220	✘	SEAL		1
222	✘	HOUSING, UPPER, PAINTED		1
224	✘	BUSHING-1012-08		2
226	✘	SCREW-M4 X 8MM, FHP, SS		4
228	✘	GEAR-MOTOR		1
230	✘	PLATE, MOTOR		1
232	✘	BUSHING, DAMPENING		4
234	✘	NUT-PUSH, 1/4" ZP		4
236	✘	RETAINING RING, 1 3/4" SHAFT		2
238	✘	GEAR-CLUSTER, 35-48T		1
240	✘	MOTOR-DRIVE		1
242	✘	PIN-SPRING, 1/4 X 3/4, ZP		4
244	✘	TUBE-STEER, MACHINED		1
246	✘	BEARING		2
248	✘	HOUSING, LOWER, PAINTED		1
250	✘	SCREW-5/16-18 X 1" SHCS ZP		5
252	✘	BUSHING-1216-12		1
254	✘	GEAR, CABLE		1
256	✘	CABLE CLAMP, 3/16", NYLON		2
258	✘	BEAD-FERRITE		1
260	✘	WIRE HARNESS, MOTOR,SHORT		1
262	✘	SCREW-#6-20 X 3/8 THD*(SS)		2
264	✘	SEAL, QUAD RING, 3/4"		1
266	2265100	BUMPER (CRUTCH TIP)		1
268	2263624	ROD,3/4" ANDZD ALUM.,22"		1
270	2263107	NUT-HEX 3/4-10 UNC NYLON		1
272	2281929	BRACKET, STABILIZER ARM		1
274	2260221	CAP,VINYL, FRTRX / ULTX STBLZR		1
276	2223100	NUT-5/16-18 NYLOCK S/S		2
278	2263422	SCREW-5/16-18 X 1" SHCS SS		2
280	2281700	5/16 "ID X .457 OD HIGH COLLAR LOCK WASHER		2
282	9953310	TIE WRAP-8.5"		1
284	✘	CLAMP COLLAR, BOLT SIDE 1.3"		1

▲ Not shown on Parts Diagram.

✘ This part is included in an assembly and cannot be ordered individually.

# PARTS DIAGRAM & PARTS LIST



Item	Part #	Description	Notes	Quantity
286	✘	CLAMP COLLAR, CAM SIDE 1.3"		1
288	✘	LEVER, CAM LOCK		1
290	✘	PIN 3/8" DIA., CAM LOCK		1
292	✘	SPRING,DEPTH COLLAR,TRAXX		1
294	✘	SCREW-1/4-28X1 1/4 PFH 316SS		1
296	✘	PIN, HINGE		1
▲	✘	PAD, FRICTION		1

▲ Not shown on Parts Diagram.

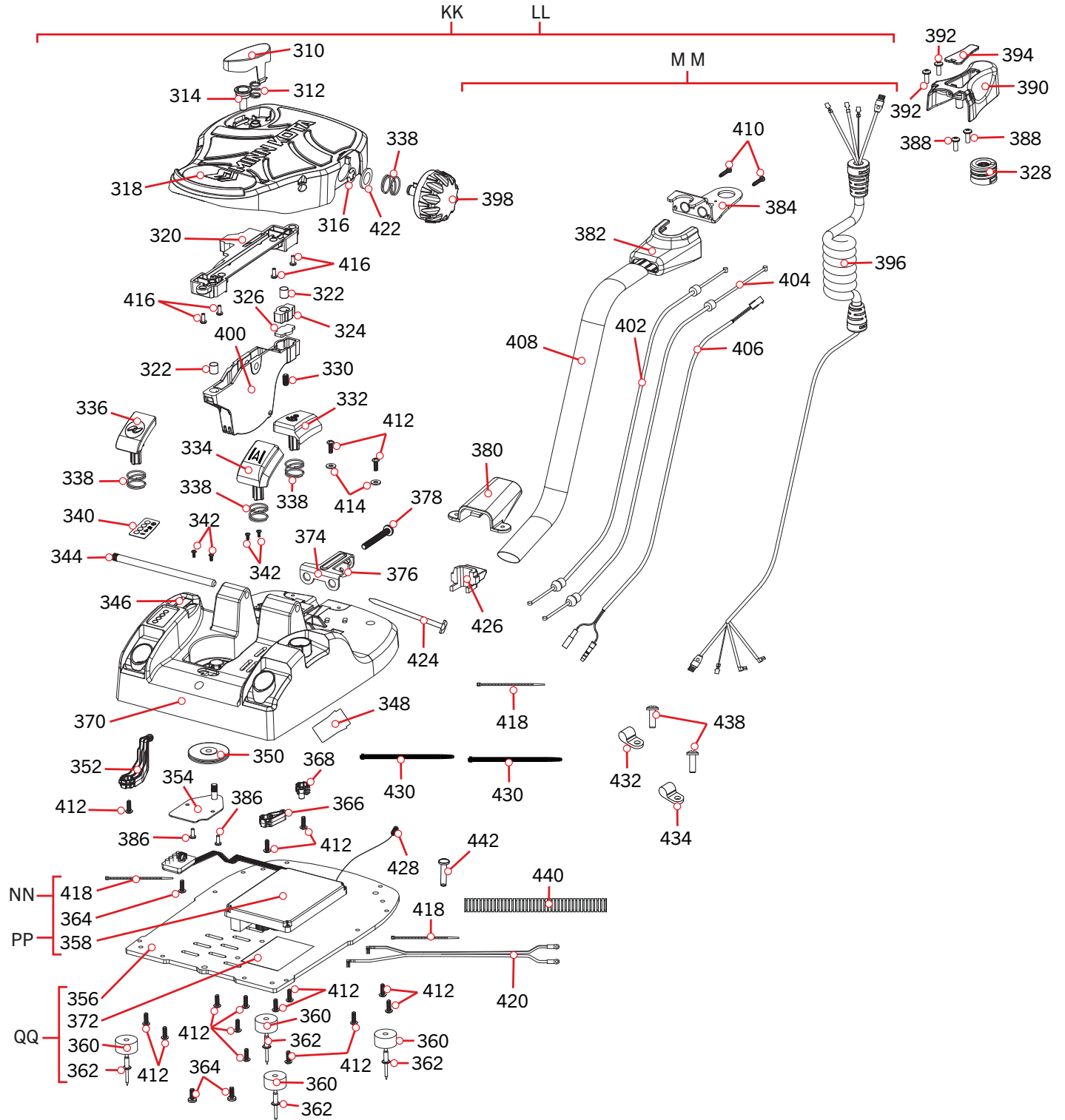
✘ This part is included in an assembly and cannot be ordered individually.



# PARTS DIAGRAM & PARTS LIST

## ULTREX FOOT PEDAL

### Foot Pedal Parts Diagram



# PARTS DIAGRAM & PARTS LIST

## Foot Pedal Parts List

Assembly	Part #	Description	Notes	Quantity
KK	2992158	FT PED w/BASE ASM 24V UTX	*80LB*	1
LL	2992159	FT PED w/BASE ASM 36V UTX	*112LB*	1
MM	2771201	CORD-CABLE ASM, ULTREX		1
NN	2774060	CONTROL BOARD KIT, 24V ULTREX	*80LB*	1
PP	2774061	CONTROL BOARD KIT, 36V ULTREX	*112LB*	1
QQ	2771923	ULTREX FOOT PEDAL PLATE ASM		1
Item	Part #	Description	Notes	Quantity
310	2993705	PUSH BTTN/MAGNET ASSY		1
312	2302732	SPRING-LOWER PEDAL S/S		1
314	2260810	CLIP, REED SENSOR		1
316	2263000	E-RING TRU-ARC#5133-43		1
318	2994451	FOOT PEDAL w/MAGNET, ULTREX		1
320	2294027	CONTROL BRD,SENSOR BRD		1
322	2294410	ACTUATOR-SENSOR, DIA. .375 MAX		2
324	2294420	CARRIER, ACTUATOR		1
326	2294430	BACKER, CARRIER		1
328	2292300	PULLEY, CABLE DRUM		1
330	2293401	SCREW-1/4-20 X 1/2 SET, 316 SS		1
332	2293720	BUTTON-SL, FOOT PEDAL		1
334	2293731	BUTTON, AP FOOT PEDAL		1
336	2293710	BUTTON-PROP, FOOT PEDAL		1
338	2292700	SPRING, BUTTON, FOOT PEDAL		4
340	2295628	DECAL, INDICATOR LIGHTS		1
342	2373440	SCREW-#4-24 X 1/4 PHCR SS TY B		4
344	2260511	PIN-PIVOT A/T FT PDL		1
346	2294011	SWITCH-POWER w/WIRES, UTX FP		1
348	2266413	TENSION SCREW PLATE FTPEDAL		1
350	2262301	PULLEY (FOOT PEDAL)		1
352	2993715	ARM-SENSOR, PROP W/MAGNET		1
354	2266401	COVER-PULLEY (STAMPING)		1
356	2291920	PLATE-BOTTOM		1
358	2294060	CONTROL BOARD,24V,ULTREX	*80LB*	1
	2294061	CONTROL BOARD,36V,ULTREX	*112LB*	1
360	2265126	BUMPER PAD, FOOT PEDAL		4
362	2378600	RIVET-POP,3/16 X 3/4 ALUM.SHNK		4
364	2223455	SCREW-#10-32 X 1/2" ZP MACHINE		2
366	2993735	ARM-SENSOR, AP w/MAGNET		1
368	2993725	ARM-SENSOR, SL w/MAGNET		1

▲ Not shown on Parts Diagram.

✘ This part is included in an assembly and cannot be ordered individually.



# PARTS DIAGRAM & PARTS LIST



Item	Part #	Description	Notes	Quantity
370	2994505	BASE w/PIN, FOOT PEDAL, BL		1
372	2365107	INSULATING PAD(2.3 X 3.2)		1
374	2263210	BRACKET-CONDUIT ADJUSTMEN		1
376	2263140	KEEPER-NYLOCK		1
378	2263466	SCREW-1/4-20 X 2" PPH SS/REI		1
380	2265115	BOOT-FOOT PEDAL BASE		1
382	2296410	COVER, COIL CORD		1
384	2291910	BRACKET, CABLE ANCHOR		1
386	2373450	SCREW-#8-18 X 3/8" THRD.CUT SS		2
388	2323406	SCREW-#10-24 X .50 PPH SS		2
390	2296400	COVER, WRAP DRUM		1
392	2293403	SCREW-#6-32 X .625 PPH SS		2
394	2296405	COVER, MOTOR CONNECTION		1
396	2291200	COIL CORD ASSEMBLY		1
398	2290100	KNOB-SPEED CONTROL		1
400	2294400	LOWER-ROCKER, FOOT PEDAL		1
402	2297505	CABLE ASM, RIGHT (5')		1
404	2297515	CABLE ASM, LEFT (5')		1
406	2297411	WIRE HARNESS, MOTOR, LONG		1
408	2265430	CABLE JACKET 1.00" OD x 62.50		1
410	3393450	SCREW-#6-19 X .75 PPH HI-LO		2
412	2372100	SCREW-#8-18 X 5/8 THD* (SS)		17
414	2261714	WASHER-MAXXUM FT PDL 18/8 SS		2
416	2332103	SCREW-#6-20 X 3/8 THD*(SS)		4
418	2256300	TIE WRAP-6.0" BLACK		3
420	2290605	LEAD WIRE, FOOT PEDAL		1
422	3391722	WASHER, FLAT 7/16		1
424	2296300	TIE WRAP, PANEL MOUNT		1
426	2292915	STRAIN RELIEF, BASE, BL		1
428	2294010	SWITCH-REED		1
430	9953310	TIE WRAP-8.5"		2
432	2290840	P-CLIP, ULTREX FOOT PEDAL		1
434	2052510	CABLE CLAMP, 3/16", NYLON		1
438	2301310	SCREW-#8-18 X 1/2 (SS)*		2
440	2298800	LOOM-WIRE, 1/4 X 4"		1
442	2223430	SCREW-#8X3/4 PPH, TYPE 25,SS		1
▲	2040340	CONNECTOR, SCOTCHLOK, UY2		2
▲	✘	DECAL, COMPLIANCE, KIT 1.6, 3.0		1
▲	✘	DECAL, FCC STATEMENT		1

▲ Not shown on Parts Diagram.

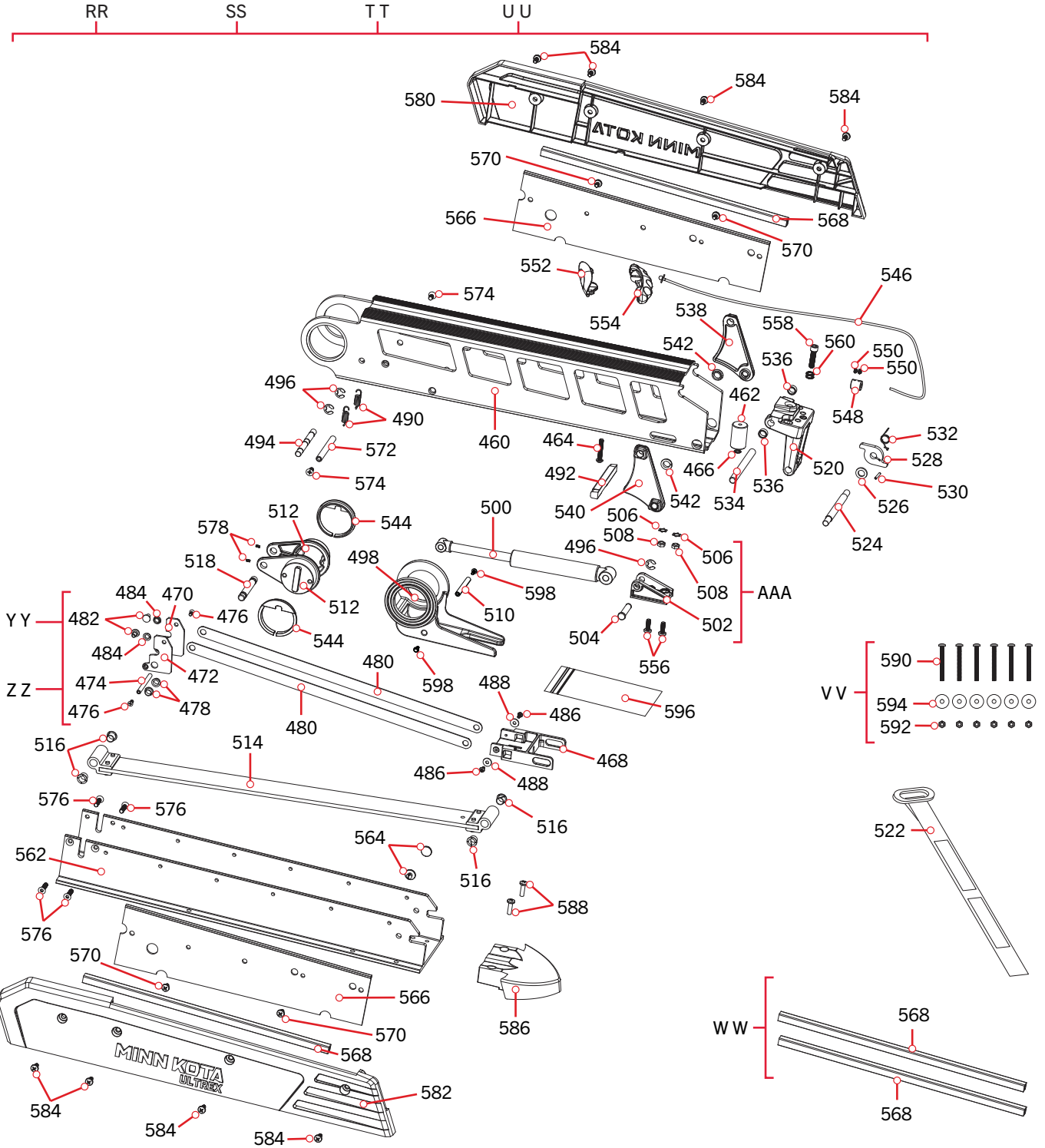
✘ This part is included in an assembly and cannot be ordered individually.



# PARTS DIAGRAM & PARTS LIST

## ULTREX MOUNT

### Mount Parts Diagram



# PARTS DIAGRAM & PARTS LIST

## Mount Parts List

Assembly	Part #	Description	Notes	Quantity
RR	2771670	MOUNT KIT ASM, ULTREX 80#, 45"	*80LB* *45**	1
SS	2771671	MOUNT KIT ASM, ULTREX 80#, 52"	*80LB* *52**	1
TT	2771672	MOUNT KIT ASM, ULTREX 112#,45"	*112LB* *45**	1
UU	2771673	MOUNT KIT ASM,UTX 112#,52"/60"	*112LB 52"/60**	1
VV	2994887	INSTALLATION HARDWARE BAG ASSEMBLY		1
WW	2886400	RAIL COVER KIT, MOTOR REST		1
YY	2773601	LATCH STRAP ASSY, LONG	*112LB 52"/60** *80LB 52**	1
ZZ	2773600	LATCH STRAP ASSY, SHORT	*112LB 45** *80LB 45**	1
AAA	2991662	MNT ASM, GAS SPRNG, OTR ARM		1
Item	Part #	Description	Notes	Quantity
460	2294226	ARM-OUTER, LONG, ANODIZED	*52** *60**	1
	2294216	ARM-OUTER, SHORT, ANODIZED	*45**	1
462	2281516	SPACER, INNER ARM		1
464	2293417	SCREW-1/4-20 X 1.50" BHCS SS		1
466	2281702	WASHER-LOCK, 1/4" EXT. SS		1
468	2283610	BRKT-LATCH/STRAP, ROPE PULL		1
470	✘	BRACKET, REAR LATCH, RIGHT		1
472	✘	BRACKET, REAR LATCH, LEFT		1
474	2292625	PIN, REAR LATCH		1
476	2223468	SCREW-#8-32 X 7/16 FH, MCH		2
478	✘	BEARING-I GLIDE 3/8 SHAFT		2
480	✘	LATCH STRAP, LONG MNT SS	*52** *60**	2
	✘	LATCH STRAP, SS	*45**	2
482	✘	RIVET, SHLDR 5/16" X .159" SS		2
484	✘	BEARING, NYLINER 5/16" (5L1-FF)		2
486	2373450	SCREW-#8-18 X 3/8" THRD. CUT SS		2
488	2261732	WASHER-#8, NYLON BLACK		2
490	2292725	SPRING, LATCH		2
492	2283616	LATCH BAR, STAINLESS STEEL	*112LB 52/60**	1
	2283615	LATCH BAR	*112LB 45** *80LB 52** *80LB 45**	1
494	2282602	PIN 3/8" X 3 3/4" SS		1
496	2263011	E-RING 3/8 DIA. SHAFT		3
498	2281501	YOKE, FORTREX		1
500	2298412	GAS SPRING, U1.5	*112LB 52/60**	1
	2298411	GAS SPRING, U1.5	*112LB 45** *80LB 52**	1
	2298410	GAS SPRING, U1.5	*80LB 45**	1
502	2291960	MOUNT, GAS SPRING, OUTER ARM		1

▲ Not shown on Parts Diagram.

✘ This part is included in an assembly and cannot be ordered individually.

# PARTS DIAGRAM & PARTS LIST



Item	Part #	Description	Notes	Quantity
504	2292630	PIN-CLEVIS, 3/8, ZP		1
506	3394722	INSERT, PUSH ON		2
508	2073100	NUT-HEX 1/4-20 NYLOC-JAM SS		2
510	2292618	PIN, UPPER SHOCK		1
512	2281932	BRACKET-REAR PIVOT FW		2
514	2993821	ASSY,INNER ARM,LNG,FW	*52"* *60"*	1
	2993819	ASSY,INNER ARM,SHORT,FW	*45"*	1
516	2280005	BEARING,NYLINER 7/16" (7L7-F)		4
518	2282606	PIN-PIVOT, 7/16" X 3 1/8" SS		1
520	2992333	ROPE GUIDE ASSEMBLY		1
522	2773806	STRAP, HOLD DOWN		1
524	2282613	PIN, BOW GUARD, LOWER	*112LB 52/60"*	1
	2282608	PIN 7/16" X 5.15" SS	*112LB 45"* *80LB 52"* *80LB 45"*	1
526	2281704	WASHER-7/16 NYLON		1
528	2283620	LATCH, SAFETY		1
530	2282611	PIN-SPRING 3/32"		1
532	2042711	SPRING-TORSION, SS		1
534	2282600	PIN 7/16" X 4.80" SS		1
536	2287303	BUSHING, UPPER PIN		2
538	2280810	END LINK, LEFT, MACHINED	*112LB 52/60"*	1
	2280800	LINK,BOWGUARD MOUNT,LEFT	*112LB 45"* *80LB 52"* *80LB 45"*	1
540	2280815	END LINK, RIGHT, MACHINED	*112LB 52/60"*	1
	2280805	LINK,BOWGUARD MOUNT,RIGHT	*112LB 45"* *80LB 52"* *80LB 45"*	1
542	2287305	BUSHING, END LINK	*112LB 52/60"*	2
544	2287300	BUSHING-REAR PIVOT		2
546	2291400	CABLE, PULL HANDLE, SS		1
548	2290800	CLAMP, PULL CABLE		1
550	2293404	SCREW-SET-#8X 5/16,POINTED,SS		2
552	2280401	PULL GRIP,SFT,TOP,FTX,UTX		1
554	2280405	PULL GRIP, SOFT, BOTTOM		1
556	2373434	SCREW-1/4-20 X 3/4 SS PPMS		2
558	2293402	SCREW-5/16-18, SHCS, RIE,STEEL		1
560	2291700	WASHER-5/16, M8 WEDGE LCK		1
562	2281903	BASE-EXTRUSION, SHORT, MACH	*45"*	1
	2281913	BASE-EXTRUSION, LONG, MACH	*52"* *60"*	1
564	2286700	PLUG-SPACER,BASE EXTRUSION		2
566	2283631	RAIL, MACH., MOTOR REST		2
568	2286400	COVER-RAIL, MOTOR REST		2

▲ Not shown on Parts Diagram.

✳ This part is included in an assembly and cannot be ordered individually.



# PARTS DIAGRAM & PARTS LIST



Item	Part #	Description	Notes	Quantity
570	2323403	SCREW-1/4-20 X.375 MCH SS CRPH		4
572	2282610	PIN, UPPER SHOCK		1
574	2283410	SCREW-1/4-20 X .500" PFH		2
576	2283411	SCREW-1/4-20X1.00 FHS RIE TORX		4
578	2283402	SCREW-SET 6-32 X .25" SS		2
580	2283949	SIDEPLATE, LEFT LONG FW UTX	*112LB 52"/60"* *80LB 52"*	1
	2283939	SIDEPLATE, LEFT SHORT FW UTX	*112LB 45"* *80LB 45"*	1
582	2283944	SIDEPLATE, RIGHT LONG FW UTX	*112LB 52"/60"* *80LB 52"*	1
	2283934	SIDEPLATE, RIGHT SHORT FW UTX	*112LB 45"* *80LB 45"*	1
584	2323405	SCREW-1/4-20 X 1/2" MCH SS	*112LB 45"* *80LB 45"*	6
	2323405	SCREW-1/4-20 X 1/2" MCH SS	*112LB 52"/60"* *80LB 52"*	8
586	2283900	RAMP-MOTOR		1
588	2073408	SCREW-1/4-20 X 7/8 PPH S/S		2
590	2263468	SCREW-1/4-20X2.5" S/S PPH		6
592	2263103	NUT-1/4-20 NYLOCK SS		6
594	2261713	WASHER-1/4 FLAT 18-8 SS		6
596	2295800	HANG TAG, ULTREX 1.5		1
598	2293408	SCREW-#8-32X.375 FLNG HH		2
▲	2015800	HANG TAG "CAUTION..TILT HINGE"		1
▲	2285801	HANG TAG, HOOK AND LOOP STRAP		1

▲ Not shown on Parts Diagram.

✘ This part is included in an assembly and cannot be ordered individually.



# NOTES



A large area consisting of approximately 25 horizontal gray lines, providing a space for handwritten notes.



# RECOMMENDED ACCESSORIES

## › ON-BOARD & PORTABLE BATTERY CHARGERS

Stop buying new batteries and start taking care of the ones you've got. Many chargers can actually damage your battery over time – creating shorter run times and shorter overall life. Digitally controlled Minn Kota chargers are designed to provide the fastest charge that protect and extend battery life.



MK212PCL



MK210D



MK110PD

## › TALON SHALLOW WATER ANCHOR

Talon is the only shallow water anchor with up to 15' of anchoring depth, multiple anchoring modes, and control from the bow, transom, console, remote or mobile device.



### BUILT-IN WORK LIGHT

Lets you tie lines and work from the transom any time of day — or night. Includes both white and blue LED lights with three brightness settings.



### BLUETOOTH® CONNECTIVITY

Lets you control Talon from your mobile device and easily update it. Also opens up communication to other control options.



### UP TO 15' DEEP

Control more water and catch more fish with the first 15' shallow water anchor.



### MORE CONTROL OPTIONS

- Control Panel
- Wireless Remote
- Mobile App
- Wireless Foot Switch
- Humminbird® Connectivity
- Advanced GPS Navigation System Remote



## › MINN KOTA ACCESSORIES

We offer a wide variety of trolling motor accessories, including:

- 60-Amp Circuit Breaker
- Mounting Brackets
- Stabilizer Kits
- Extension Handles
- Battery Connectors
- Battery Boxes
- Quick Connect Plugs



minnkota.johnsonoutdoors.com    

Part #2297162

Minn Kota Consumer & Technical Service  
Johnson Outdoors Marine Electronics, Inc.  
PO Box 8129  
Mankato, MN 56001

121 Power Drive  
Mankato, MN 56001  
Phone (800) 227-6433  
Fax (800) 527-4464



©2023 Johnson Outdoors Marine Electronics, Inc.  
All rights reserved.

ECN 43774

Rev D

08/23