

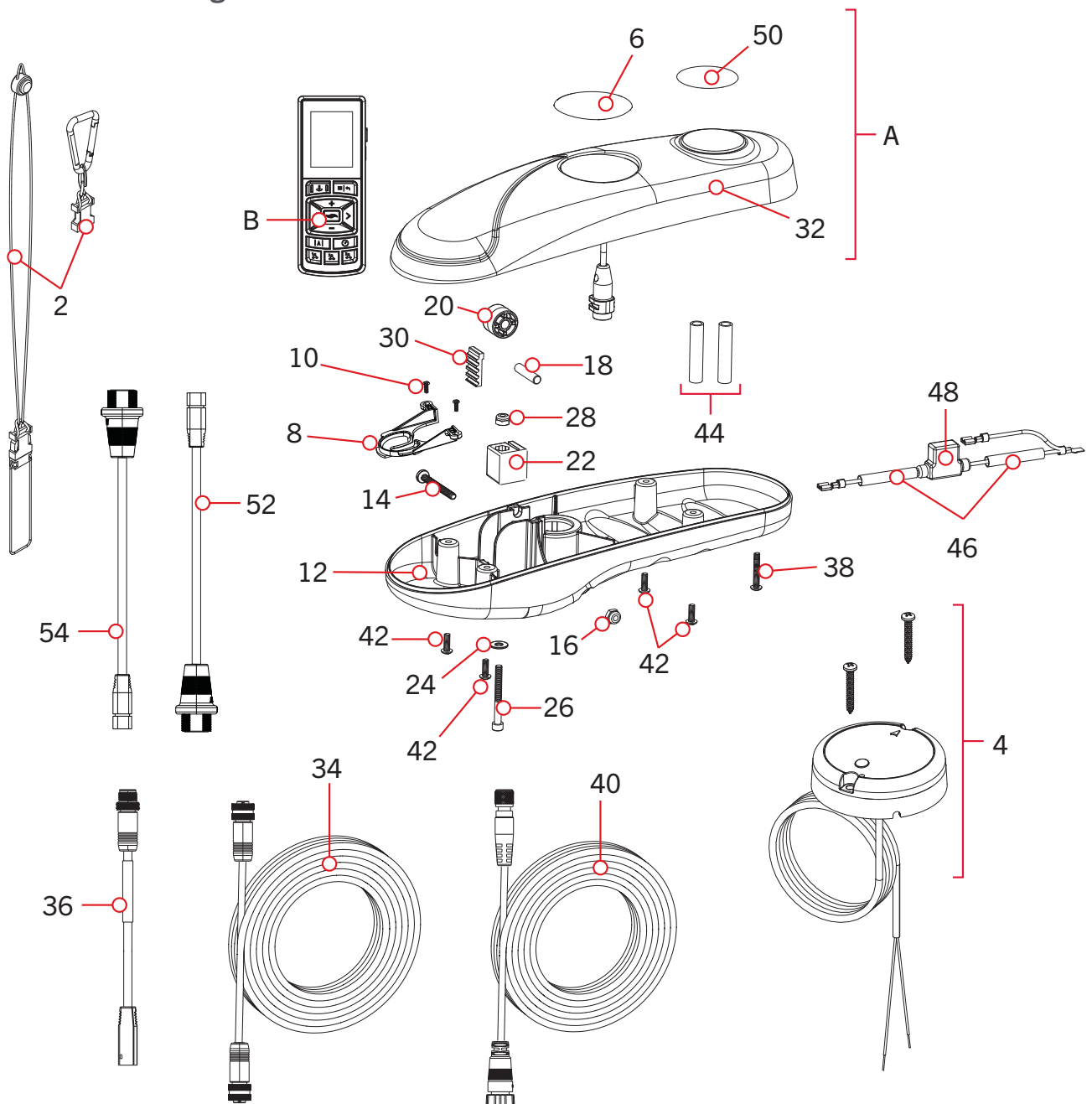
# PARTS DIAGRAM & PARTS LIST

## ULTERRA - 80/112 LBS THRUST - 24/36 VOLT - 45"/60" SHAFT

The parts diagram and parts list provide Minn Kota® WEEE compliance disassembly instructions. For more information about where you should dispose of your waste equipment for recycling and recovery and/or your European Union member state requirements, please contact your dealer or distributor from which your product was purchased. Tools required, but not limited to: flat head screwdriver, Phillips screwdriver, socket set, pliers, wire cutters.

### ULTERRA CONTROL HEAD >

#### > Control Head Parts Diagram



# PARTS DIAGRAM & PARTS LIST

## Control Head Parts List

Assembly	Part #	Description	Notes	Quantity
A	2770274	CONTROLLER 4.0 ULTERRA 1.5		1
B	411690-1	TROLLING MOTOR REMOTE		1
Item	Part #	Description	Notes	Quantity
2	2390802	LANYARD w/CARABINR,IP RMT		1
4	2996400	HEADING SENSOR ASSEMBLY		1
6	2395562	DECAL,PUSH BTN TOP 80 LB	*80LB THRUST*	1
	2395563	DECAL,PUSH BTN TOP 112 LB	*112LB THRUST*	1
8	2224706	PLUG, SCREW-DOWN, BLK		1
10	2372103	SCREW. #6 x 3/8 PLASTITE		2
12	2202506	CONTROL BOX BOTTOM, FW		1
14	2383407	SCREW-#10-24 X 2" PPH ZINC		1
16	2333101	NUT-HEX #10-24 UNC-2B NYL SS		1
18	2202635	PIN-DOWEL, 1/4" OD SS		1
20	2202335	PULLEY, BELT, TOP		1
22	2202800	BLOCK, BELT		1
24	2201721	WASHER-#10 SAE, SS		1
26	2203411	SCREW-#10-24,SHCS,SS, RIE 4606		1
28	2333101	NUT-HEX #10-24 UNC-2B NYL SS		1
30	2200800	BELT-RACK, LOWER		1
32	2200208	CONTROL BOX COVER, FW		1
34	490384-4	CABLE, ETHERNET (M12-M12), 30'		1
36	490380-1	CABLE, ETHERNET PIGTAIL-700 HD		1
38	2203403	SCREW-#6 X 1.0 BRASS HI-LO		1
40	490575-3	CABLE, ADPTR, 14 PIN, 110"-DSC	*DUAL SPECTRUM CHIRP*	1
	490507-1	CABLE, ADP-INT MDI 14 M12-120"	*BUILT-IN MEGA DOWN IMAGING*	1
42	2372100	SCREW-#8-18 X 5/8 THD* (SS		4
44	2065400	WIRE INSULATOR-LGE 1-3/4,BLUE		2
46	2375400	SHRINK TUBE-1/40D X 1-3/4		2
48	2218201	FUSE HOLDER ASSEMBLY		1
50	2395524	DECAL, DOMED FW		1
52	2994961	BAG ASM, CABLE,ADPTR, 490537-2	*490537-2* *MKR-MI-1*	1
54	2994960	BAG ASM, CABLE,ADPTR, 490518-1	*490518-1* *MKR-MDI-2*	1
▲	2207121	MANUAL, ULTERRA 1.5		1
▲	2207122	MANUAL,INSTL GUIDE,ULT1.5		1
▲	2207123	QUICK. REF. GUIDE, ULT1.5		1
▲	2294950	INSTRUCTIONS,OBN & REMOTE PAIR		1
▲	2397110	MANUAL, iPILOT 4.0		1

▲ Not shown on Parts Diagram.

✘ This part is included in an assembly and cannot be ordered individually.

## PARTS DIAGRAM & PARTS LIST



Item	Part #	Description	Notes	Quantity
▲	2397115	GUIDE-QCK REFERNC iP 4.0		1
▲	2297165	MANUAL - DISCLAIMER, DOWNLOAD INFO		1
▲	2394900	INSTRUCTIONS, HEADING SENSOR		1
▲	2015800	HANG TAG. "CAUTION...TILT HINGE"		1
▲	2395542	DECAL-COMPLIANCE, ULTERRA 1.5		1
▲	2256300	TIE WRAP-6.0" BLACK		2
	2256300	TIE WRAP-6.0" BLACK	*60" BUILT-IN MEGA DOWN IMAGING*	4
▲	2215700	LABEL,DI CABLE EXIT LOC.	*60" BUILT-IN MEGA DOWN IMAGING*	1
▲	2006819	LABEL-CARTON "CAUTION HEAVY"		1
▲	2207131	STANDARD QS SETUP GUIDE		1

▲ Not shown on Parts Diagram.

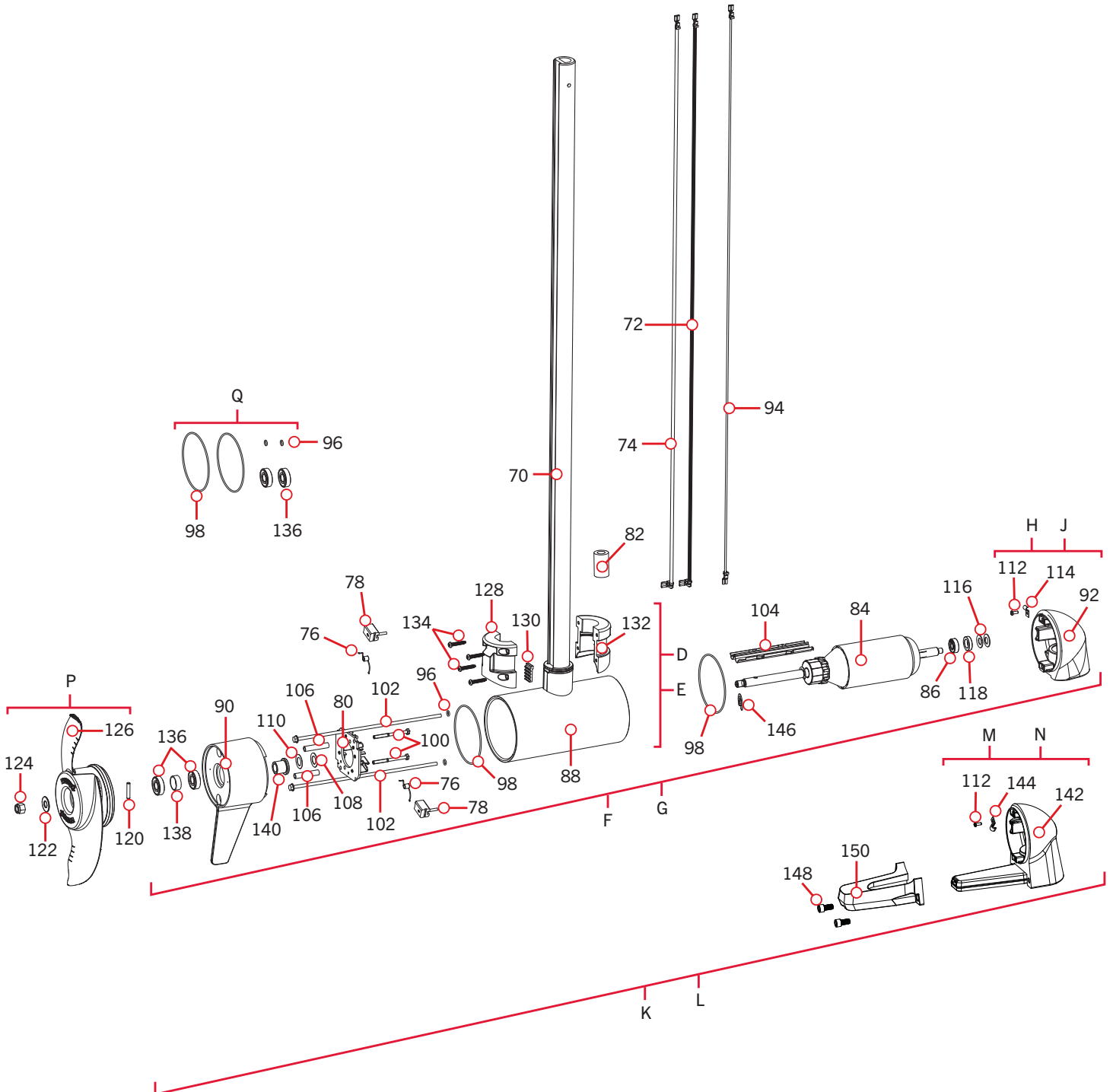
✘ This part is included in an assembly and cannot be ordered individually.



# PARTS DIAGRAM & PARTS LIST

ULTERRA 24 VOLT 4" MOTOR >

## > 24 Volt 4" Motor Parts Diagram



## PARTS DIAGRAM & PARTS LIST

### ▶ 24 Volt 4" Motor Parts List

Assembly	Part #	Description	Notes	Quantity
D	2777098	CTR HSG ASY, CB, 80#, FW, 45" TUBE	*TUBE*	1
E	2777099	CTR HSG ASY, CB, 80#, FW, 60" TUBE	*TUBE*	1
F	2777125	MTR/TUBE ASM 24V DSC 45"80#	*DUAL SPECTRUM CHIRP* *45"*	1
G	2777126	MTR/TUBE ASM 24V DSC 60"80#	*DUAL SPECTRUM CHIRP* *60"*	1
H	2993020	PLN END HSG/TRDCR 4.0 DSC	*DUAL SPECTRUM CHIRP* *45"*	1
J	2993025	PLN END HSG/TRDCR 4.0 DSC	*DUAL SPECTRUM CHIRP* *60"*	1
K	2777137	MTR/TUBE ASM 80# 45"ULT/MDI BT	*BUILT-IN MEGA DOWN IMAGING* *45"*	1
L	2777136	MTR/TUBE ASM 80# 60"ULT/MDI BT	*BUILT-IN MEGA DOWN IMAGING* *60"*	1
M	2993051	PLN END HSG/TRNDCR 4.0 MDI 63"	*BUILT-IN MEGA DOWN IMAGING* *45"*	1
N	2993054	PLN END HSG/TRNDCR 4.0 MDI 79"	*BUILT-IN MEGA DOWN IMAGING* *60"*	1
P	1378132	PROP IND 2331160 WDLS WDG II	*80LB THRUST*	1
Q	2889460	SEAL & O-RING KIT	*80LB THRUST*	1
Item	Part #	Description	Notes	Quantity
70	✘	TUBE-COMP,BLK,45", w/1/4" WALL	*DUAL SPECTRUM CHIRP* *45"*	1
	✘	TUBE-COMP,BLK,60", w/1/4" WALL	*DUAL SPECTRUM CHIRP* *60"*	1
	✘	TUBE-CMP, BLK, 45", 1/4", DI BORED	*BUILT-IN MEGA DOWN IMAGING* *45"*	1
	✘	TUBE-CMP, BLK, 60", 1/4", DI BORED	*BUILT-IN MEGA DOWN IMAGING* *60"*	1
▲	✘	SEAL,BUNG UPPER,FW		1
▲	✘	SEAL,BUNG LOWER		1
72	640-016	LEADWIRE BLK 10AWG 56 1/2 XLP	*45"*	1
	640-022	LEADWIRE BLK 10 AWG 72.5 XLP	*60"*	1
74	640-118	LEADWIRE RED 10 AWG 56 XLP	*45"*	1
	640-126	LEADWIRE RED 10AWG 71" XLP	*60"*	1
▲	✘	BRUSH HOLDER		2
76	975-041	SPRING - TORSION		2
78	188-094	BRUSH W/TERMINAL		2
80	9-738-015	BRUSH PLATE-4" terminal		1
82	✘	BEAD-FERRITE	*BUILT-IN MEGA DOWN IMAGING*	1
▲	✘	RIVET-.25"		6
▲	2260730	CONNECTOR 1/4 MALE TAB QD		2
84	2-100-214	ARM ASSY 24V 4" 80# (WW2)		1
86	140-010	BEARING - BALL		1
88	✘	CTR HSG ASY 4.0 FW -MGNTZ	*ASSEMBLY D OR E*	1
90	2-300-170	BRUSH END HSG ASY 4.0 FW		1
92	✘	PLN END HSG 4.0" US2.5/DSC PNT	*DUAL SPECTRUM CHIRP*	1

▲ Not shown on Parts Diagram.

✘ This part is included in an assembly and cannot be ordered individually.

# PARTS DIAGRAM & PARTS LIST



Item	Part #	Description	Notes	Quantity
94	640-315	LEADWIRE BROWN 18 AWG 62" GPT	*45"	1
	640-316	LEADWIRE BROWN 18 AWG 71" GPT	*60"	1
96	701-009	O-RING	*THRU BOLT*	2
98	701-043	O-RING		2
100	830-027	SCREW - SELF-THREAD 10-32X2.25		2
102	830-095	THRU BOLT 12-24 x 9.79		2
104	582-013	CLIP, RETAINING SHORT		1
106	973-025	SPACER - BRUSHPLATE		2
108	990-051	WASHER - STEEL THRUST		1
110	990-052	WASHER - NYLATRON		1
112	2302104	SCREW-#6-20 X 3/8 THD CUTS,RIE		1
114	230-038	CABLE CLAMP	*DUAL SPECTRUM CHIRP*	1
116	992-010	WASHER - BELLEVILLE		2
118	990-045	SPACER - THRUST		1
120	2262658	PIN-DRIVE 1" X 3/16" S/S		1
122	2091701	WASHER-PROP (LARGE) MAX101		1
124	2093101	NUT-PROP,NYLOC,LG,MX101 3/8 SS		1
126	2331161	PROP-WW2 4" WELDED		1
128	2201505	COLLAR, BELT CLAMP		1
130	2200800	BELT-RACK, LOWER		1
132	2201500	COLLAR, CLAMP		1
134	3393480	SCREW-#10 X 1.0" PPH HI-LO SS		4
136	880-025	SEAL		2
138	725-095	PAPER TUBE - SEAL BORE		1
140	144-017	BEARING - FLANGE		1
142	✘	PLAIN END HOUSING, PNT 4.0 DI	*BUILT-IN MEGA DOWN IMAGING*	1
144	230-040	CABLE CLAMP, 1/4" STEEL	*BUILT-IN MEGA DOWN IMAGING*	1
146	788-040	RETAINING RING		1
148	830-110	SCREW 5-16 - 18 X 5/8 SHCS SS	*BUILT-IN MEGA DOWN IMAGING*	2
150	792-001	GUARD TRANSDUCER, PNT 4.0 DI	*BUILT-IN MEGA DOWN IMAGING*	1
▲	✘	DSC XDUCER ASSY 62" HW T	*DUAL SPECTRUM CHIRP*	1
	✘	DSC XDUCER ASSY 79" HW T	*DUAL SPECTRUM CHIRP*	1
▲	✘	BUILT- IN MDI 63" SW	*BUILT-IN MEGA DOWN IMAGING*	1
	✘	BUILT- IN MDI 80" SW	*BUILT-IN MEGA DOWN IMAGING*	1
▲	✘	SCREW-#6-32 X 1/2" TORX PH SS		3

▲ Not shown on Parts Diagram.

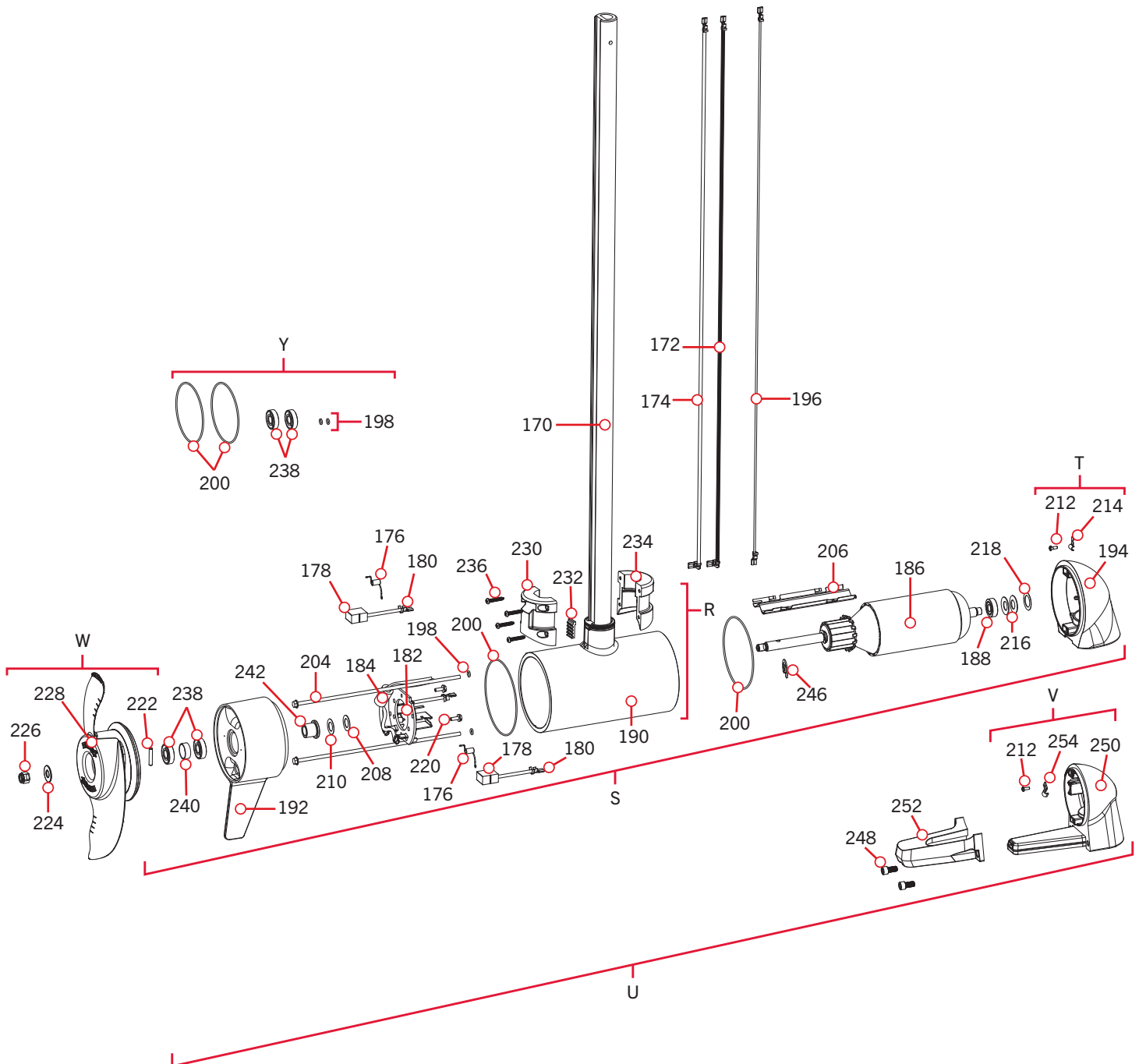
✘ This part is included in an assembly and cannot be ordered individually.



# PARTS DIAGRAM & PARTS LIST

## ULTERRA 36 VOLT 4.5" MOTOR

### 36 Volt 4.5" Motor Parts Diagram



# PARTS DIAGRAM & PARTS LIST

## ▶ 36 Volt 4.5" Motor Parts List

Assembly	Part #	Description	Notes	Quantity
R	2777249	CTR HSG ASY,CB,112#,FW,60" TUBE	*TUBE*	1
S	2777064	MTR/TUBE ASM 36V DSC 60" 112#	*DUAL SPECTRUM CHIRP*	1
T	2993024	PLN END HSG/TRDCR 4.5 DSC	*DUAL SPECTRUM CHIRP*	1
U	2777156	MTR/TUBE ASM 112#60"ULT/MDI BT	*BUILT-IN MEGA DOWN IMAGING*	1
V	2993056	PLN END HSG/TRNDCR 4.5 MDI 79"	*BUILT-IN MEGA DOWN IMAGING*	1
W	1378160	PROP KIT 2341160 112# WW2	*112LB THRUST*	1
Y	2881450	SEAL & O-RING KIT 112#		1
Item	Part #	Description	Notes	Quantity
170	✘	TUBE-COMP,BLK,60", w/1/4" WALL		1
▲	✘	SEAL,BUNG UPPER,FW		1
▲	✘	SEAL,BUNG LOWER		1
172	640-039	LEADWIRE BLK 10 AWG 74" GPT	*DUAL SPECTRUM CHIRP*	1
	640-045	LEADWIRE BLK 10AWG 76 1/2" GPT	*BUILT-IN MEGA DOWN IMAGING*	1
174	640-145	LEADWIRE RED 10AWG 75 7/8" GPT		1
▲	✘	BRUSH HOLDER		2
176	975-045	SPRING-TORSION		2
178	188-095	BRUSH		2
180	2260731	TERMINAL 1/4" MALE TAB-THREE		2
▲	✘	RIVET-.25"		8
182	9-738-011	BRUSH PLATE		1
184	2307312	BEAD-FERRITE	*M SKU*	1
186	2-100-245	ARMATURE ASY 4.5"LWR UNIT		1
188	140-014	BEARING-BALL 6000		1
190	✘	CTR HSG ASY 4.5" MAG FW CB TER	*ASSEMBLY R*	1
192	2-300-175	BRUSH END HSG 4.5" FW		1
194	✘	PLN END HSG 4.5" US2.5 PNT FW	*DUAL SPECTRUM CHIRP* *ASSEMBLY T*	1
196	640-316	LEADWIRE BROWN 18 AWG 71" GPT		1
198	701-009	O-RING	*THRU BOLT*	2
200	701-098	O-RING, 98MM X 2MM		2
204	830-094	THRU BOLT 12-24 X10.31		2
206	582-016	CLIP-RETAINING, SONAR		1
208	990-051	WASHER - STEEL THRUST		1
210	990-052	WASHER - NYLATRON		1
212	2302104	SCREW-#6-20 X 3/8 THD CUTS,RIE		1
214	230-038	CABLE CLAMP	*DUAL SPECTRUM CHIRP*	1
216	992-011	WASHER-BELLEVILLE		2

▲ Not shown on Parts Diagram.

✘ This part is included in an assembly and cannot be ordered individually.



## PARTS DIAGRAM & PARTS LIST



Item	Part #	Description	Notes	Quantity
218	990-011	WASHER-SHIM OD 1",ID.630"SS		1
220	2053410	SCREW-#8-32 X 1/2 TRI-LOBE HEX		2
222	2262658	PIN-DRIVE 1" X 3/16" S/S		1
224	2091701	WASHER-PROP (LARGE) MAX101		1
226	2093101	NUT-PROP,NYLOC,LG,MX101 3/8 SS		1
228	2341161	PROP-WW2 4.5" WELDED		1
230	2201505	COLLAR, BELT CLAMP		1
232	2200800	BELT-RACK, LOWER		1
234	2201500	COLLAR, CLAMP		1
236	3393480	SCREW-#10 X 1.0" PPH HI-LO SS		4
238	880-025	SEAL		2
240	725-095	PAPER TUBE		1
242	144-017	BEARING		1
246	788-040	RETAINING RING		1
248	830-110	SCREW 5-16 - 18 X 5/8 SHCS SS		2
250	✘	PLAIN END HOUSING, PNT 4.5 DI	*BUILT-IN MEGA DOWN IMAGING*	1
252	792-005	GUARD TRANSDUCER, PNT 4.5 DI	*BUILT-IN MEGA DOWN IMAGING*	1
254	230-040	CABLE CLAMP, 1/4" STEEL	*BUILT-IN MEGA DOWN IMAGING*	1
▲	✘	DSC XDUCER ASSY 79" HW T	*DUAL SPECTRUM CHIRP*	1
▲	✘	BUILT- IN MDI 80" SW	*BUILT-IN MEGA DOWN IMAGING*	1
▲	✘	SCREW-#6-32 X 1/2" TORX PH SS		3

▲ Not shown on Parts Diagram.

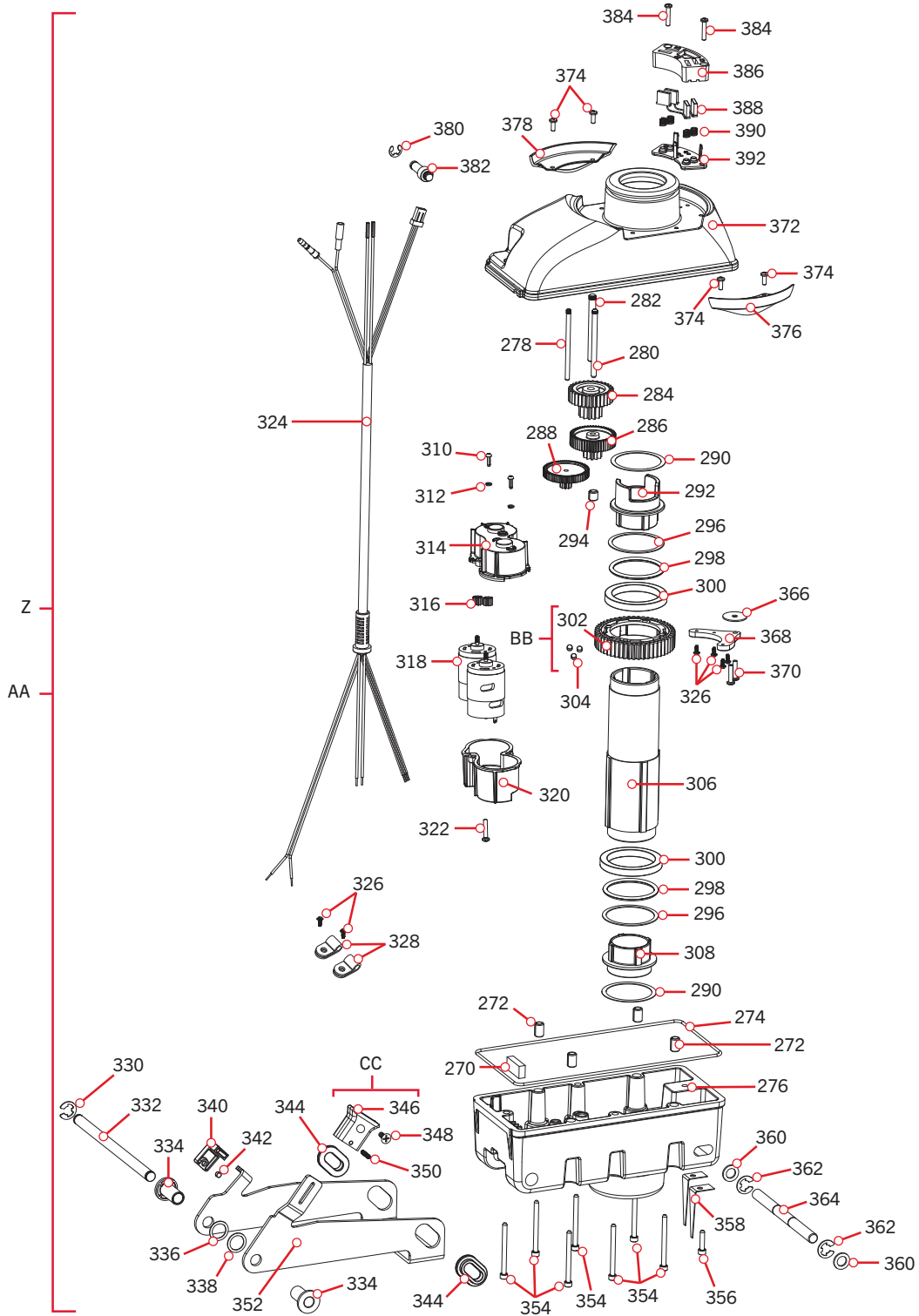
✘ This part is included in an assembly and cannot be ordered individually.



# PARTS DIAGRAM & PARTS LIST

## ULTERRA STEERING HOUSING >

### > Steering Housing Parts Diagram



# PARTS DIAGRAM & PARTS LIST

## › Steering Housing Parts List

Assembly	Part #	Description	Notes	Quantity
Z	2996521	ASM, STEERING 24V	*80LB THRUST*	1
AA	2996522	ASM, STEERING 36V	*112 LB THRUST*	1
BB	2772200	OUTPUT GEAR W/MAGNETS		1
CC	2770100	RELEASE KNOB WITH SCREW KIT		1
Item	Part #	Description	Notes	Quantity
270	2308601	BREATHER FILTER, DR.HOUSING		1
272	✘	PIN-ROLL 5/16" X 1/2"		4
274	2324604	O-RING, CASE SEAL		1
276	✘	HOUSING-STEERING, BTM, FW	*SEE Z OR AA*	1
278	✘	SHAFT-GEAR, FIRST CLUSTER		1
280	✘	SHAFT-GEAR,INTERMED.CLUSTER		1
282	✘	SHAFT-GEAR, THIRD CLUSTER		1
284	2302255	GEAR & PINION,DR. HSG, STAGE 4		1
286	2302250	GEAR & PINION,DR. HSG, STAGE 3		1
288	2322210	GEAR & PINION, DR.HSG, STAGE 2		1
290	2321704	WASHER-THRUST, STEERING		2
292	2201510	COLLAR-DRIVE, OUTPUT TUBE		1
294	2321730	SPACER,GEAR CLUSTER,STEER HSG		1
296	2321720	SHIM,O-RING		2
298	2324608	O-RING,224,STR HSG		2
300	2327308	BEARING-BALL,SEALED,6809-2RS		2
302	2322200	GEAR-OUTPUT		1
304	✘	MAGNET-.187X.125 NCKL PLT(N/A)	*SEE BB*	3
306	2322030	TUBE-OUTPUT, MACHINED		1
308	2321510	COLLAR-DRIVE,BOTTOM		1
310	2053422	SCREW-M3-.5 X 10 PPH, ZPS		2
312	2051710	LOCKWASHER-SPLIT, 3MM, ZP		2
314	2322520	CASE-MOTOR,STRG HSG, TOP		1
316	2322215	GEAR-PINION, DR.HSG, STAGE 1		1
318	✘	MOTOR, STEERING 24V T2	*80LB THRUST*	1
	✘	MOTOR, STEERING 36V FW T2	*112LB THRUST*	1
320	2322525	CASE-MOTOR,STRG HSG,BTM		1
322	2043412	SCREW-#8-18 X 3/4 TY AB SS PPH		1
324	✘	LEADWIRE,STEERING MTR, 8 COND.		1
326	2373440	SCREW-#4-24 X 1/4 PHCR SS		6
328	2052510	CABLE CLAMP, 3/16", NYLON		2

▲ Not shown on Parts Diagram.

✘ This part is included in an assembly and cannot be ordered individually.

# PARTS DIAGRAM & PARTS LIST



Item	Part #	Description	Notes	Quantity
330	2263011	E-RING 3/8 DIA. SHAFT*		1
332	2202601	PIN-PIVOT, DRIVEHOUSING, ZP		1
334	2207310	BUSHING,STEERING HSG, PIVOT		2
336	2201730	WASHER-FLAT, .56 ID NYLON	*BLACK*	1
338	2201731	WASHER-FLAT, NYLON	*WHITE*	1
340	2208600	HOLDER-MAGNET w/MAGNET		1
342	✖	MAGNET-.187X.125 NCKL PLT(N/A)		1
344	2207305	BUSHING, LATCH PIN		2
346	2200100	KNOB, TILT RELEASE		1
348	2203407	SCREW-#6-32 X .625" PFH, SS		1
350	2383463	SCREW-#6-32 X .625"SET SS		1
352	2201910	BRACKET, TILT, ZP		1
354	2323408	SCREW-#8-32 X 2.0 SHCS SS		7
356	2323410	SCREW-#8-32 X .75 SHCS SS		1
358	2322702	SPRING, LATCH PIN SS		2
360	2321702	WASHER-FLAT .375 NYLON		2
362	2263011	E-RING 3/8 DIA. SHAFT*		2
364	2202626	PIN-LATCH, SS		1
366	2201723	WASHER-#6, .625 OD, SS		1
368	2201920	BRACKET-SENSOR, STEERING HSG		1
370	2302100	SCREW-#6-20 X 1/2 THD CUTS		2
372	✖	STEERING HSG COVER FW BLK		1
374	2332103	SCREW-#6-20 X 3/8 THD*(SS)		4
376	2205905	ADAPTER, STEERING HSG RIGHT		1
378	2205900	ADAPTER, STEERING HSG LEFT		1
380	2263006	E-RING, 5/16, S/S GAS ASSIST		1
382	2202902	STANDOFF, OIL DAMPENER		1
384	2203408	SCREW-#6-32 X 1.00" PPH, NYLON		2
386	✖	BLOCK-BRUSH, SLIPRING		1
388	✖	BRUSH SHUNT ASSEMBLY		2
390	✖	BUMPER BRUSH BLOCK		4
392	✖	INSULATOR, BLOCK-BRUSH		1
▲	✖	HOUSING, CONNECTOR WPJ		1

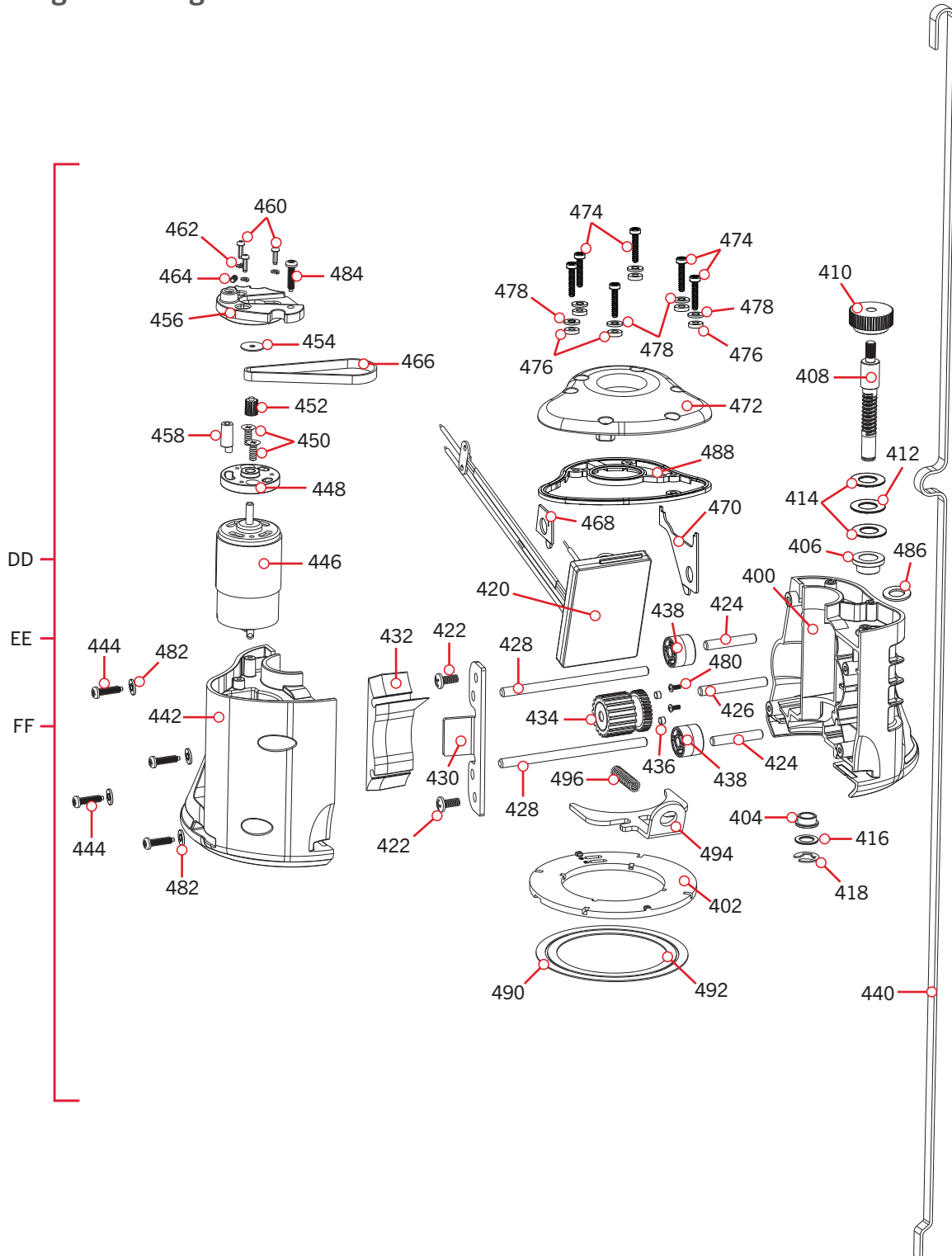
▲ Not shown on Parts Diagram.

✖ This part is included in an assembly and cannot be ordered individually.



ULTERRA TRIM HOUSING >

> Trim Housing Parts Diagram



# PARTS DIAGRAM & PARTS LIST

## › Trim Housing Parts List

Assembly	Part #	Description	Notes	Quantity
DD	2887807	ASSY,TRIM MODULE, FW, 45"	*45**	1
EE	2887803	ASSY,TRIM MODULE, FW, 60"	*60**	1
FF	2887823	ASSY,TRIM MOD "M",FW, 60"	*60** *M SKU*	1
Item	Part #	Description	Notes	Quantity
400	✘	HOUSING-TRIM, GEAR SIDE		1
402	✘	CARRIER, SLIPRING CONTACTS		1
404	✘	BUSHING, TRIM, BOTTOM		1
406	✘	BUSHING-HAT 1/2"SHFT BRNZ		1
408	✘	SHAFT-WORM		1
410	✘	PULLEY, TRIM JACKSHAFT, MACH.		1
412	✘	BEARING-THRUST, NEEDLE		1
414	✘	WASHER-THRUST, 1/2"		2
416	✘	WASHER-THRUST, 3/8"		1
418	✘	E-RING 3/8 DIA. SHAFT*		1
420	✘	BOARD ASSY, WIRELESS TRIM		1
	✘	BOARD ASSY, WIRELESS TRIM "M"	*80LB THRUST* *M SKU*	1
422	✘	SCREW-#4-24 X 1/4 PHCR SS TY B		2
424	✘	PIN, BELT PULLEY		2
426	✘	PIN, 2' X 1/4"		1
428	✘	PIN-DOWEL, 1/8"		2
430	✘	BRACKET, DRIVE BLOCK		1
432	✘	BLOCK, TUBE DRIVE		1
434	✘	GEAR/PULLEY-WORM, CLUSTER ASM		1
436	✘	MAGNET-.187X.125 NCKL PLT(N/A)		2
438	✘	PULLEY, BELT, TOP		2
440	2770816	BELT-LIFT 45"		1
	2770818	BELT-LIFT 60"		1
442	✘	HOUSING-TRIM, MOTOR SIDE		1
444	✘	SCREW -4MM DELTA PT SS		4
446	✘	MOTOR, TRIM		1
448	✘	PLATE-ADAPTER, LIFT MOTOR		1
450	✘	SCREW-M4 X 10 PFH, ZP		2
452	✘	PULLEY, LIFT MOTOR, MACHINED		1
454	✘	WASHER-#6, .625 OD, SS		1
456	✘	PLATE-MOTOR		1
458	2058411	TENSIONER-BELT		1

▲ Not shown on Parts Diagram.

✘ This part is included in an assembly and cannot be ordered individually.

## PARTS DIAGRAM & PARTS LIST



Item	Part #	Description	Notes	Quantity
460	2053422	SCREW-M3-.5 X 10 PPH, ZPS		3
462	2051710	LOCKWASHER-SPLIT, 3MM, ZP		3
464	2053420	SCREW-SET-#8-32 X 1/4" S/S		1
466	2200810	BELT-TRIM		1
468	2206914	GASKET, TRIM HSG ASM, LFT, BLK		1
470	2206915	GASKET, TRIM HSG ASM, RIGHT BLK		1
472	2206410	COVER, TRIM HOUSING		1
474	2203401	SCREW -4MM DELTA PT SS		6
476	3391732	WASHER, SEALING		6
478	3394602	WASHER-FLAT #8 SS		6
480	2373440	SCREW-#4-24 X 1/4 PHCR SS		2
482	3394602	WASHER-FLAT #8 SS		4
484	2203401	SCREW-4MM DELTA PT SS		1
486	✘	O-RING, 014-BUNA N, ULTERRA		1
488	2206911	GASKET, TRIM HOUSING ASSEMBLY BLK		1
490	✘	RING-CONTACT, SLIPRING LARGE		1
492	✘	RING-CONTACT, SLIPRING SMALL		1
494	✘	HANDLE, TRIM HSG RELEASE, ZP		1
496	✘	SPRING-5/16" OD, SS		1

▲ Not shown on Parts Diagram.

✘ This part is included in an assembly and cannot be ordered individually.







# PARTS DIAGRAM & PARTS LIST

## Foot Pedal Parts List

Assembly	Part #	Description	Notes	Quantity
GG	2994743	FT PEDAL ASM ULTERRA 1.5		1
HH	2994859	BAG ASY-TERROVA/V2,RUB.BUMPERS		1
Item	Part #	Description	Notes	Quantity
520	2204501	BASE PLATE, FOOT PEDAL		1
522	✘	PCB ASSY, ULTERRA		1
524	2373440	SCREW-#4-24 X 1/4 PHCR SS TY B		6
526	2372103	SCREW-#6 X .375 PLASTITE SS		2
528	2302100	SCREW-#6-20 X 1/2 THD CUTS		2
530	2322900	STRAIN RELIEF, FOOT PEDAL		1
532	2372100	SCREW-#8-18 X 5/8 THD* (SS		2
534	2320100	KNOB-SPEED, FOOT PEDAL		1
536	2322704	SPRING, LARGE SHORT SS		7
538	2203710	BUTTON,LFT STR w/TRIM UP ARROW		1
540	2203711	BUTTON,RGT STR w/TRIM UP ARROW		1
542	2203715	BUTTON, MOMENTARY/STOW-DEPLOY		1
544	2323715	BUTTON,MOM/CON,FT PEDAL		1
546	2323726	BUTTON, AP FOOT PEDAL		1
548	2203720	BUTTON, SPOT LOCK,ULTERRA/TRRV		1
550	2203725	BUTTON, MODE, ULTERRA		1
552	2200201	COVER, HEEL TOE FP OBN		1
554	2205605	DECAL, 3 INDICATORS, ULTERRA		1
556	2324401	PEDAL,HEEL/TOE FOOT PEDAL		1
558	2322714	SPRING (LEE #LC-029E-4-S) SS		1
560	2328600	FLEX FINGER, FOOT PEDAL		1
562	2321300	CLAMP-LEFT, FT PEDAL		1
564	2223430	SCREW-#8x3/4 PPH,TYPE 25,SS		2
566	2323710	BUTTON,MOM LEFT,FT PEDAL		1
568	2321300	CLAMP-LEFT, FT PEDAL		1
570	2223430	SCREW-#8x3/4 PPH,TYPE 25,SS		2
572	2322706	SPRING-BARREL SS		2
574	2323420	SCREW-#8-18 X 3/8" PFH SS TY B		2
576	2301310	SCREW-#8-18 X 1/2 (SS)*		11
578	2325110	PAD, FOOTPEDAL		5

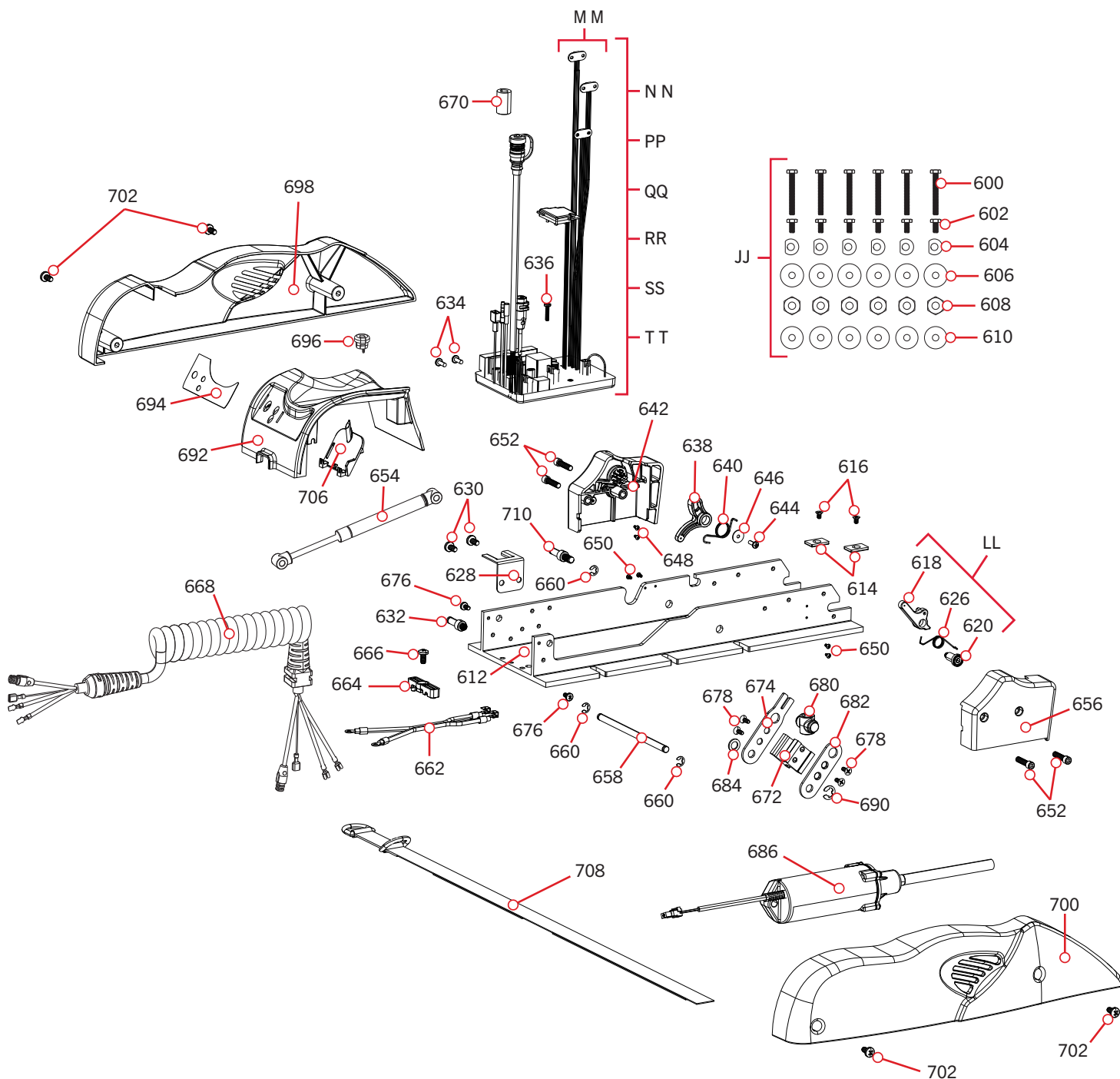
▲ Not shown on Parts Diagram.

✘ This part is included in an assembly and cannot be ordered individually.

# PARTS DIAGRAM & PARTS LIST

## ULTRERRA MOUNT >

### > Mount Parts Diagram



# PARTS DIAGRAM & PARTS LIST

## Mount Parts List

Assembly	Part #	Description	Notes	Quantity
JJ	2994917	BAG ASSY, ULTERRA MTG HARDWARE		1
LL	2777903	CAM MAGNET ASM, ULTERRA		1
MM	2880350	SENSOR WIRE W/BUTT CONNECTORS		1
NN	2774080	MAIN CTRL BD,US/AU/CA, 24V,60"	*80LB THRUST* *60**	1
PP	2774081	MAIN CTRL BD,US/AU/CA, 24V,45"	*80LB THRUST* *45**	1
QQ	2774082	MAIN CTRL BD,US/AU/CA, 36V,60"	*112LB THRUST* *60**	1
RR	2774084	MAIN CONTROL BRD,EUR, 24V, 60"	*80LB THRUST* *60** *EUROPE*	1
SS	2774085	MAIN CONTROL BRD,EUR, 24V, 45"	*80LB THRUST* *45** *EUROPE*	1
TT	2774086	MAIN CONTROL BRD,EUR, 36V, 60"	*112LB THRUST* *60** *EUROPE*	1
Item	Part #	Description	Notes	Quantity
600	2203430	SCREW-1/4-20 X 2.0 HHCS SS		6
602	2203431	SCREW-1/4-20 X 0.5 HHCS SS		6
604	2201725	WASHER-CLIPPED, 1/4", 1.00" OD		6
606	2261713	WASHER-1/4 FLAT 18-8 SS		6
608	2263103	NUT-1/4-20 NYLOCK SS		6
610	2301720	WASHER-MOUNTING - RUBBER		6
612	2201901	BASE, MACHINED, FW		1
614	2205105	PAD, STOP		2
616	2203420	SCREW-#10-24 X 5/16 PFH		2
618	2207913	CAM, PIN SENSOR w/MAGNET SW		1
620	2203510	BOLT-SHOULDER,POLYMER,CAM SNSR		1
626	2042711	SPRING-TORSION, SS		1
628	2200821	CLIP-CORD, ZP		1
630	2323404	SCREW-1/4-20 X 1/2" T-L ZP		2
632	2202902	STANDOFF, OIL DAMPENR		1
634	2323406	SCREW-#10-24 X .50 CRPH SS		2
636	2373487	SCREW-#8-32 X 3/4" PPH MACH SS		1
638	2207905	RAMP/ACTUATOR ASM w/MAGNET		1
640	2202708	SPRING-TORSION,RGT HND WIND,SS		1
642	2203946	RAMP-MOTOR, LEFT 80# FW	*80LB THRUST*	1
	2203947	RAMP-MOTOR, LEFT 112# SW	*112LB THRUST*	1
644	2301310	SCREW-#8-18 X 1/2 (SS)*		1
646	2201723	WASHER-#6, .625 OD, SS		1
648	2373440	SCREW-#4-24 X 1/4 PHCR SS TY B		2
650	2053411	SCREW-#4-40 X 1/4 PPH ZP		4
652	2263453	SCREW-1/4-20 X 1" SHCS S/S		4

▲ Not shown on Parts Diagram.

✘ This part is included in an assembly and cannot be ordered individually.

# PARTS DIAGRAM & PARTS LIST



Item	Part #	Description	Notes	Quantity
▲	2200825	CLIP, SENSOR CABLE		2
654	2208800	DAMPER, HYBRID, 80#	*80LB THRUST*	1
	2208802	DAMPER, HYBRID, 112#	*112LB THRUST*	1
656	2203911	RAMP-MOTOR, RIGHT, 80#	*80LB THRUST*	1
	2203912	RAMP-MOTOR, RIGHT, 112#	*112LB THRUST*	1
658	2202605	PIN, ACTUATOR, SS		1
660	2263006	E-RING,5/16,S/S GAS ASSIST		3
662	2090651	LEADWIRE,10 GA,PD/GENESIS		1
664	2321310	STRAIN RELIEF		1
666	2323405	SCREW-1/4-20 X 1/2" MCH SS		1
668	2991272	COIL CORD ASY 54/60"U.SONAR		1
670	2307313	BEAD-FERRITE		1
672	2203625	EXTRUSION-TILT,TIE BAR,ANODIZE		1
674	2204201	ARM-LIFT, INNER, ZP		1
676	2383447	SCREW-#10-32 X 3/8" PPH SS		2
678	2203410	SCREW-#10-32 X .5"		4
680	2203100	NUT, TILT MOTOR		1
682	2204206	ARM-LIFT, OUTER, ZP		1
684	2321702	WASHER-FLAT .375 NYLON		1
686	2997817	ASSEMBLY, TILT MOTOR, ULTERRA		1
690	2263011	E-RING 3/8 DIA. SHAFT*		1
692	2206510	HOUSING-CONTROL, BLACK		1
694	2205613	DECAL-PWR SWTCH,U1.5, FW		1
696	2202910	STRAIN RLF,HEYC SR 6N3-4		1
698	2203907	SIDEPLATE, LEFT		1
700	2203902	SIDEPLATE, RIGHT		1
702	2323405	SCREW-1/4-20 X 1/2" MCH SS		4
▲	2256300	TIE WRAP-5.5" BLACK		2
▲	2052510	CABLE CLAMP, 3/16", NYLON		2
706	2200823	CLIP, POWER BUTTON		1
708	2203801	STRAP, HOLD DOWN, ULTERRA		1
710	2202904	STANDOFF, DAMPENER STEERING		1

▲ Not shown on Parts Diagram.

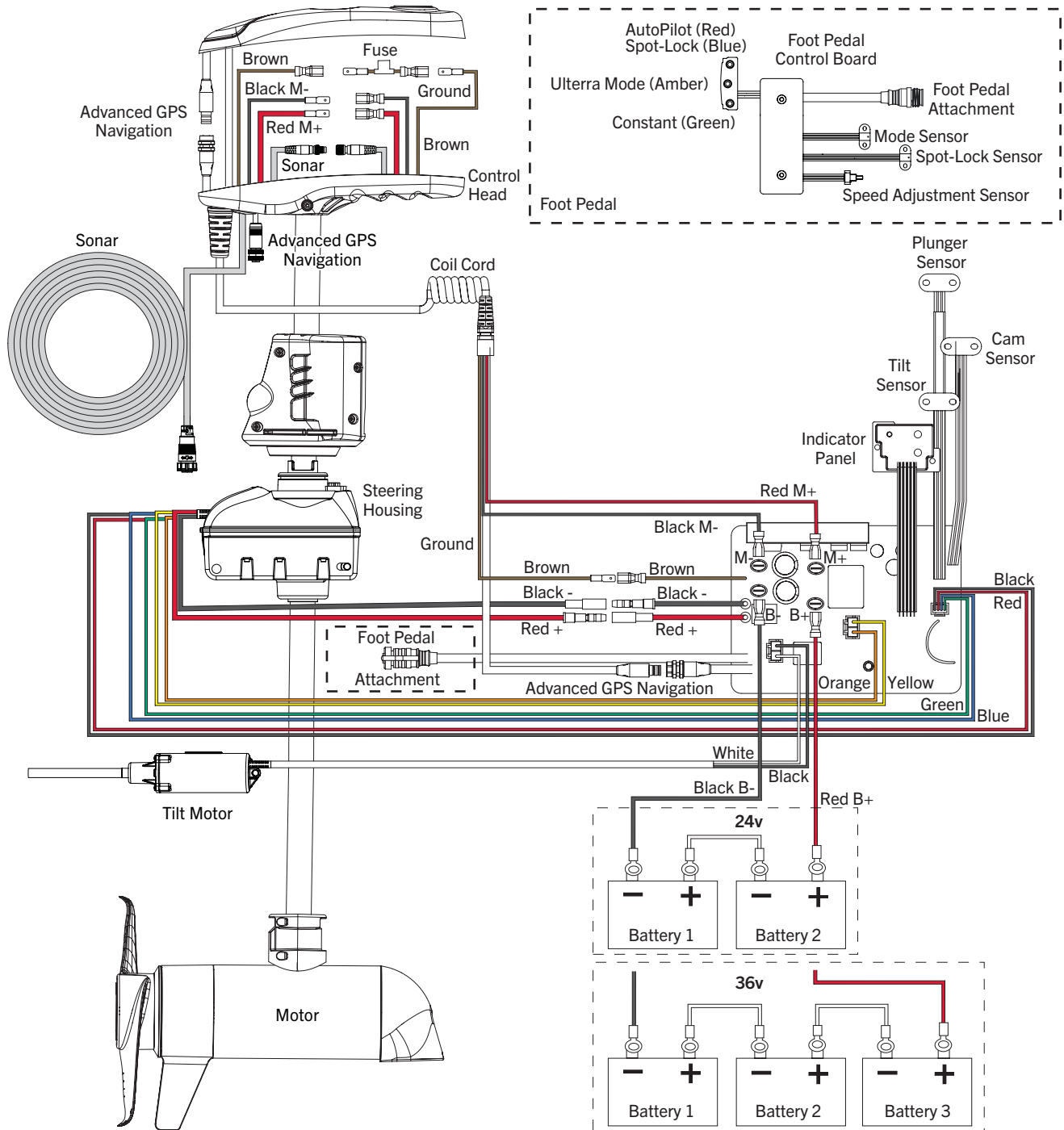
✘ This part is included in an assembly and cannot be ordered individually.



# MOTOR WIRING DIAGRAM

## ULTRERA WITH DUAL SPECTRUM CHIRP OR BUILT-IN MEGA DOWN IMAGING

The following Motor Wiring Diagram applies to all Ultrera models that come factory installed with Advanced GPS Navigation and sonar, either Dual Spectrum CHIRP or Built-in MEGA Down Imaging.



**NOTICE:** This is a multi-voltage diagram. Double-check your motor's voltage for proper connections. Over-Current Protection Devices are not shown in this illustration.