

EMERGENCY STOW PROCEDURES

EMERGENCY STOW PROCEDURES >

In the unlikely event that the motor will not stow from the Wireless Remote, One-Boat Network app, or Foot Pedal, the following alternative stow methods can be used to resolve the issue.

NOTICE: If the motor stalls when attempting to stow, the motor may be encountering an error. Check for obstructions or low motor batteries. If the batteries are too low to fully stow the motor, re-engage power, deploy the motor, trim the lower unit to its highest setting, and turn power off until batteries can be recharged. Once batteries are charged, attempt to stow the motor again.



> Stowing from the Mount

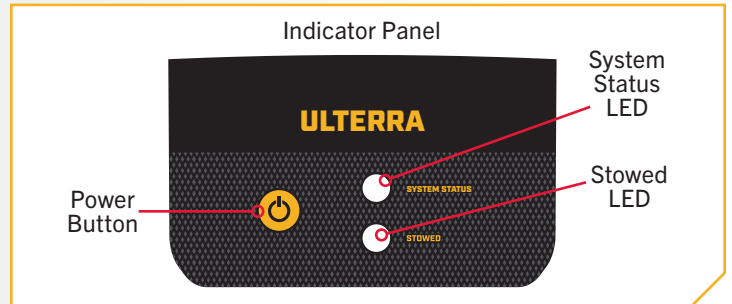
In the unlikely event the Wireless Remote, One-Boat Network app, or Foot Pedal becomes non-functioning, the motor can be stowed from the Indicator Panel at the base of the Mount.

1

WARNING

During this procedure, the motor will go into an automated sequence. Keep fingers clear of all hinges, pivot points and all moving parts. Ensure that the motor or parts of the motor do not contact the boat, trailer, persons, or any other obstruction.

- Locate the Indicator Panel at the base of the Mount.
- Ensure that the motor is powered “on” by checking that the System Status  LED is illuminated blue.
- Press and hold the Power  button for 10 seconds.
- The blue and orange LEDs next to the System Status (blue) and Stowed (orange) Indicators will flash alternately, and the motor will begin to stow.

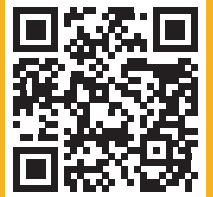


MANUAL STOW BYPASS

If the motor loses power or will not stow by any other method, a Manual Stow Bypass procedure can be used to manually stow the motor. The Manual Stow Bypass involves two steps:

- Manually Trim the Motor
- Manually Stow the Motor

After completing both steps of the Manual Stow Bypass, return to shore and resolve the error or take the motor to a Minn Kota authorized service provider. Once the error has been resolved, see the “Manual Stow Bypass Recovery” section for instructions on restoring motor functions after an emergency stow.



Scan to find additional help.

WARNING

While servicing the motor, stay clear of pinch points and do not wear loose-fitting clothing or loose-fitting jewelry.

CAUTION

Once the motor has been manually stowed, it will be non-operational until it is manually recovered.

NOTICE: In the event of a Manual Stow Bypass, the Quick Release Pin is removed from the Steering Housing. To reinstall the Quick Release Pin and restore motor functions, the Steering Housing must be in the same position it was in when the Quick Release Pin was removed. Incorrect installation of the Quick Release Pin may cause severe damage to the motor. See the “Manual Stow Bypass Recovery” section for more information.

› Manually Trim the Motor

1

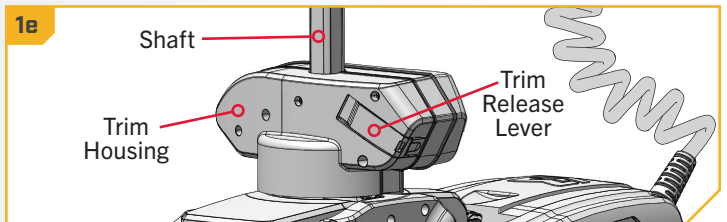
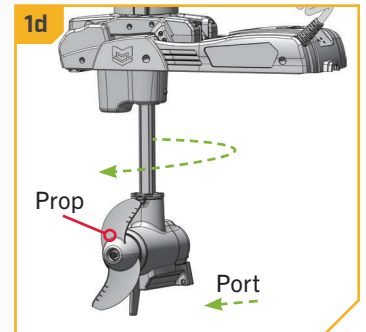
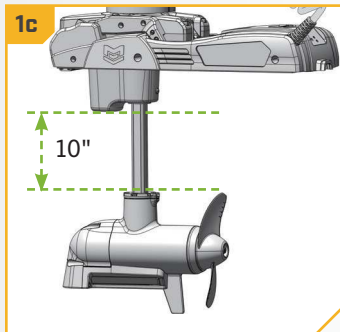
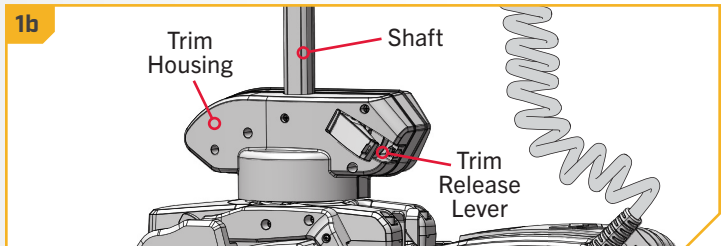
WARNING

Disconnect the motor from power to avoid accidental operation.

- a. With the motor deployed, locate the Trim Release Lever on the side of the Trim Housing.
- b. Firmly grasp the Shaft of the motor. While lifting up on the Shaft, open the Trim Release Lever.
- c. Manually trim the motor by pulling the Shaft upward. Stop lifting when there are approximately 10 inches of Shaft remaining below the Steering Housing.
- d. Rotate the Shaft so that the Prop faces Port. The Lower Unit should be perpendicular to the Mount.
- e. Close the Trim Release Lever to secure the Shaft in place.

WARNING

Moving parts can cut or crush. When using the Trim Release Lever or moving the Shaft, keep fingers clear of all hinges, pivot points, and moving parts. Take care when mechanical parts are in motion.



MANUAL STOW BYPASS

Manually Stow the Motor

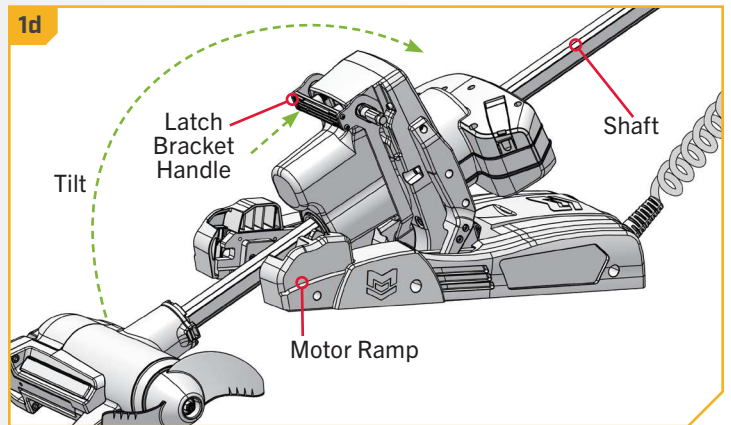
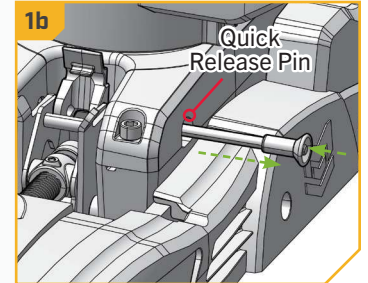
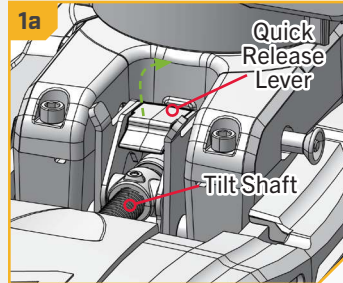
1

NOTICE: Complete the Manual Trim before beginning this procedure.

- a. Locate the Quick Release Lever on the Steering Housing, above the Tilt Shaft near the center of the Mount. Open the Quick Release Lever by lifting upward.
- b. Locate the Quick Release Pin on the side of the Steering Housing. Push in the center of the Pin. While keeping the center of the Pin pushed in, pull the Pin completely out of the Steering Housing.

NOTICE: Do not lose the Quick Release Pin. The Motor cannot function without the Quick Release Pin.

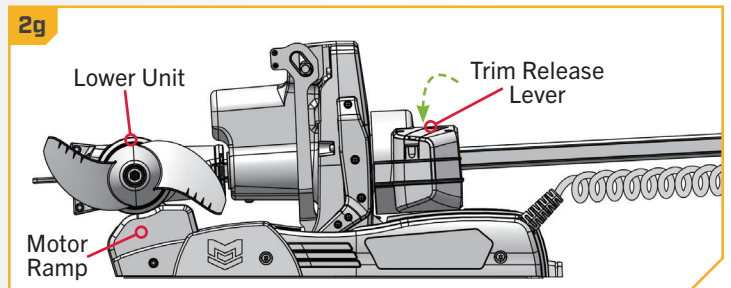
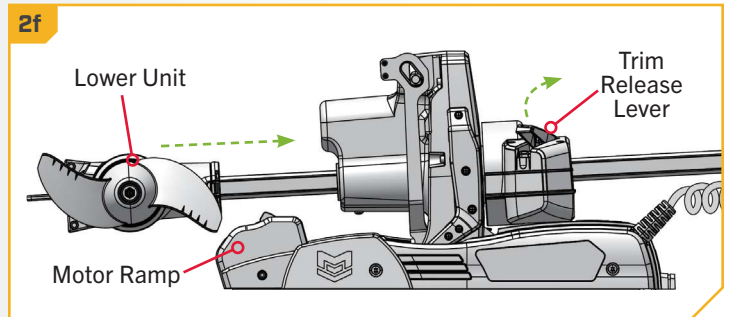
- c. Locate the Latch Bracket Handle on the back of the Steering Housing, near the Motor Ramps.
- d. Firmly grasp the Shaft and raise the Latch Bracket Handle. While holding both the Shaft and Latch Bracket Handle, pivot the trolling motor into the stowed position.



2

- e. With the motor in the stowed position, release the Latch Bracket Handle while maintaining a hold on the Shaft.
- f. Locate the Trim Release Lever on the side of the Trim Housing. While holding the Shaft, open the Trim Release Lever.
- g. Pull the Lower Unit fully onto the Motor Ramps. Secure the lower unit on the Motor Ramps and close the Trim Release Lever to lock the motor in the stowed position.

NOTICE: Once on shore, take the motor to an Authorized Service Provider or use the Minn Kota Help Center at minnkota.johnsonoutdoors.com.



MANUAL STOW BYPASS RECOVERY

After completing a Manual Stow Bypass, most motor functions are disabled, and an error will display on the Wireless Remote. If the error that required an emergency stow is resolved, motor operation can be restored through a Manual Stow Bypass Recovery procedure. To recover from a Manual Stow Bypass, the motor must be manually deployed and the Quick Release Pin reinstalled.

CAUTION

Once the motor has been manually stowed, it will be non-operational until the Manual Stow Bypass is recovered.

1

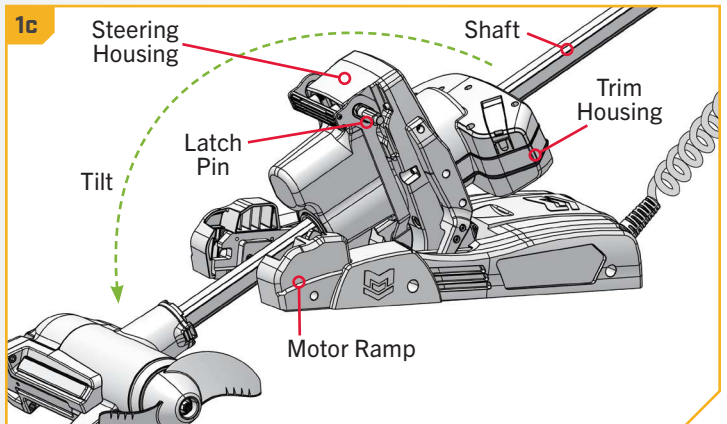
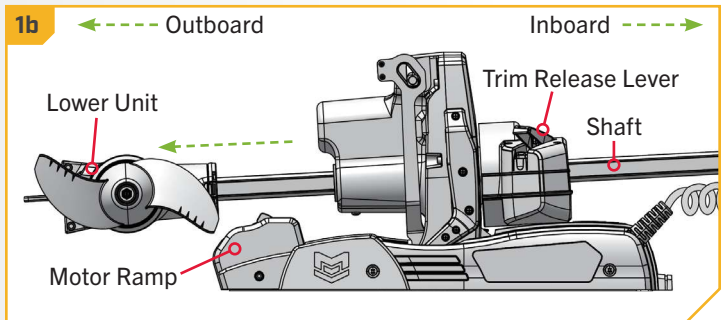
WARNING

Disconnect the motor from power to avoid accidental operation.

- a. With the motor powered “off” and in the stowed position, locate the Trim Release Lever on the side of the Trim Housing. Firmly grasp the Shaft and open the Trim Release Lever.
- b. While holding the Shaft, slide the Lower Unit approximately 10 inches Outboard. Keep the Shaft horizontal to prevent the motor from tilting. When the Lower Unit is clear of the Motor Ramps, close the Trim Release Lever to lock the Shaft.
- c. While holding the Shaft and Steering Housing, pivot the motor into the deployed position. Guide the motor upright until the Latch Pin fully engages with the Motor Ramps.

WARNING

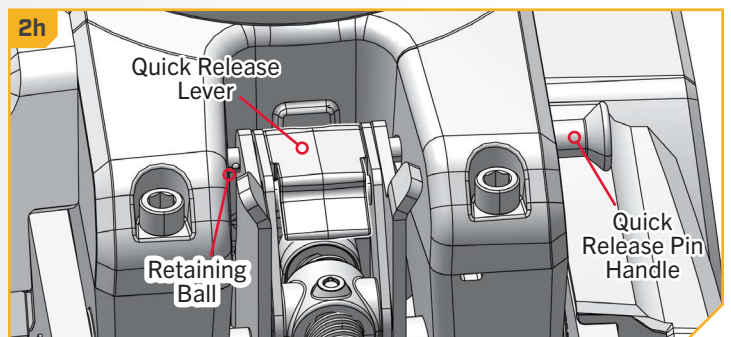
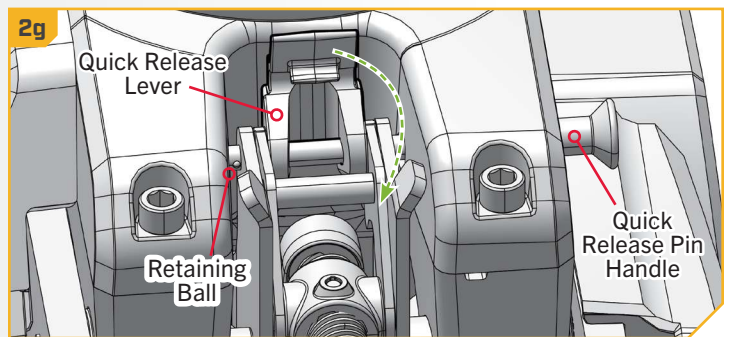
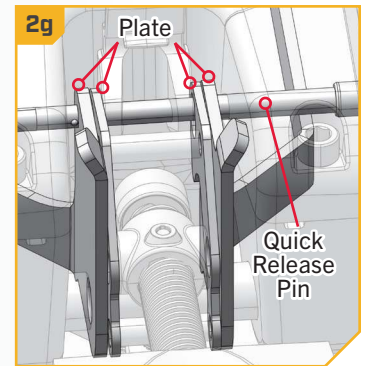
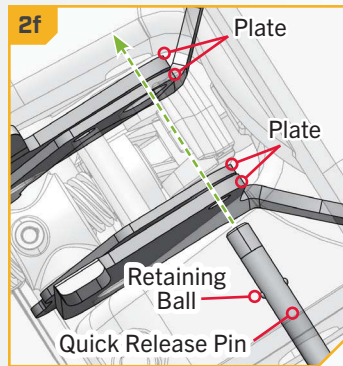
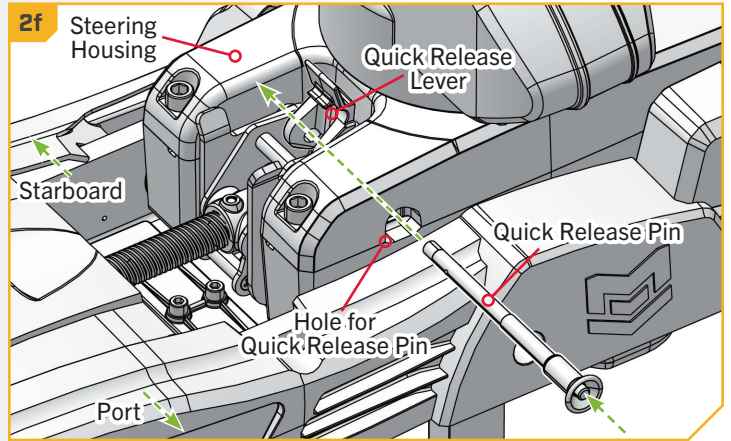
Moving parts can cut or crush. Keep fingers clear of all hinges, pivot points, and moving parts when using the Trim Release Lever, moving the Shaft, or tilting the motor. Take care when mechanical parts are in motion.



MANUAL STOW BYPASS RECOVERY

2

- d. Take the Quick Release Pin that was removed during the Manual Stow Bypass.
- e. Locate the hole for the Quick Release Pin on the Port side of the Steering Housing.
- f. The Quick Release Pin must pass through four center plates between the Steering Housing to properly install. If the holes in the plates are not aligned, pull the Quick Release Lever to lift the plates. Realign the plates as needed to allow the Quick Release Pin to be completely inserted.
- g. Press and hold in the center of the Quick Release Pin. While pressing the center of the Pin, insert the Quick Release Pin into the Steering Housing. Ensure that the Quick Release Pin passes through all four plates and into the other side of the Steering Housing. The Quick Release Pin is fully inserted when the handle is seated against the Steering Housing. The retaining ball in the Quick Release Pin must be visible past the final plate.



NOTICE: If the Quick Release Pin is installed incorrectly and does not capture all four plates, severe motor damage may occur.

- h. With the Quick Release Pin fully inserted, lower the Quick Release Lever. Ensure the Lever is seated.

⚠ CAUTION

Watch for pinch points when closing the Quick Release Lever. Push on the back of the Quick Release Lever with an open palm to keep fingers clear of pinch points.

- i. Reconnect the motor to power. Normal motor operation may resume.

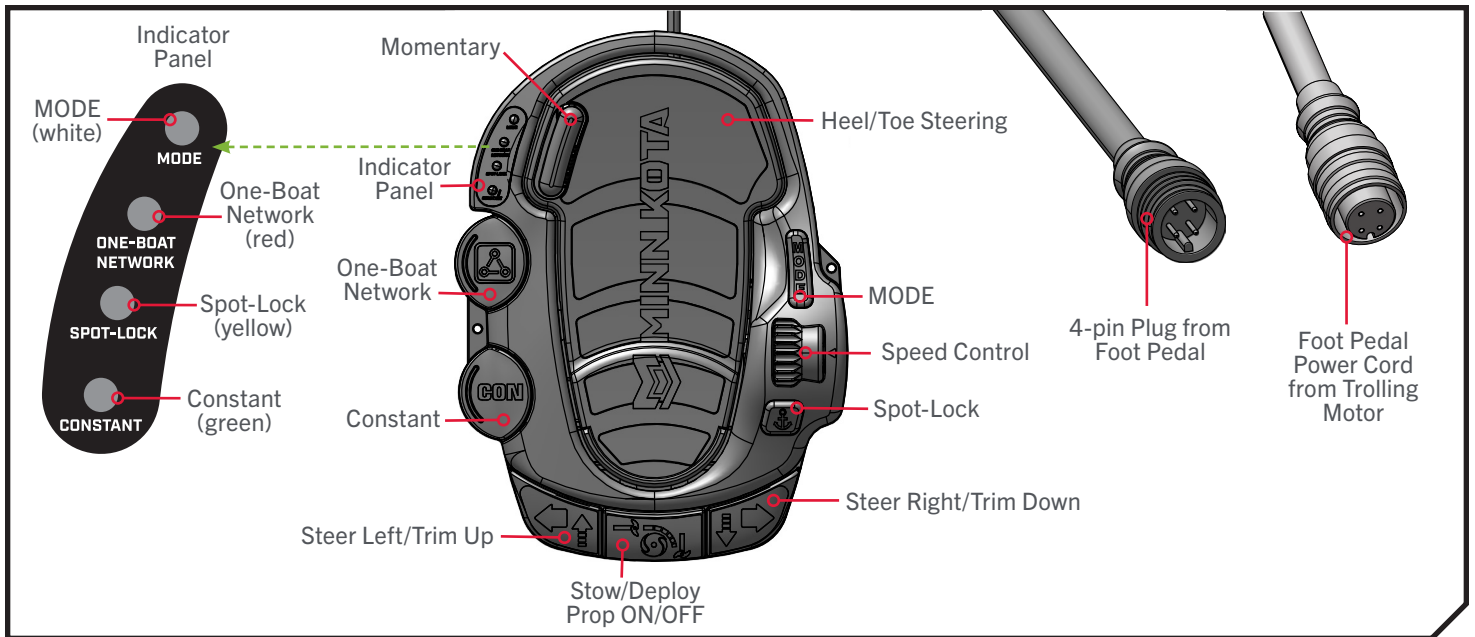
NOTICE: The Quick Release Pin must be fully inserted for the motor to function.

NOTICE: If the motor is nonfunctional after restoring power and reinstalling the Quick Release Pin, contact a Minn Kota authorized service provider.

USING THE FOOT PEDAL

CONTROLLING SPEED & STEERING WITH THE FOOT PEDAL

The Foot Pedal is used to operate the Ulterra QUEST trolling motor. The controls on the Foot Pedal are easy to use. The trolling motor can also be controlled by an Advanced GPS Navigation Wireless Remote or any compatible Minn Kota remote. Please refer to the associated remote manual for instructions.



MODES

The Foot Pedal has two modes of operation, Normal Mode and Deployment Mode. To alternate between the Modes, press the MODE button located on the right side of the Foot Pedal, just above the Speed Control Knob. The MODE LED on the Indicator Panel illuminates white when Deployment Mode is engaged. The Indicator Panel is located on the top-left side of the Foot Pedal. Switching between Modes affects the functionality of the three buttons at the bottom of the Foot Pedal. These buttons include:

Button Location	Normal Mode	Deployment Mode
Left	Steer Left	Trim Up
Center	Prop ON/OFF	Stow/Deploy
Right	Steer Right	Trim Down



WARNING

Practice proper ergonomics when operating the foot pedal to prevent injury.

› Normal Mode

When in Normal Mode, the buttons at the bottom of the Foot Pedal function to Steer Left, Steer Right, and turn the Prop ON/OFF. The white MODE LED on the Indicator Panel will not be illuminated when in Normal Mode.

› Deployment Mode

When in Deployment Mode, the buttons at the bottom of the Foot Pedal function to Trim Up, Trim Down, and Stow/Deploy. The white MODE LED on the Indicator Panel will be illuminated during Deployment Mode.

FOOT PEDAL OPERATION



WARNING



You are responsible for the safe and prudent operation of your vessel. We have designed the foot pedal to be an accurate and reliable tool that will enhance boat operation and improve your ability to catch fish. This product does not relieve you from the responsibility for the safe operation of your boat. You must avoid hazards to navigation and always maintain a permanent watch so you can respond to situations as they develop. You must always be prepared to regain manual control of your boat. Learn to operate your foot pedal and trolling motor in an area free from hazards and obstacles.

FOOT PEDAL OPERATION




› Motor Speed

The Speed Control Knob is located between the MODE and Spot-Lock buttons on the right side of the Foot Pedal. Turn the Speed Control Knob forward to increase speed and backward to decrease speed. The Speed Control Knob can be set in a range from 0 to 10 and can be adjusted in both Normal and Deployment Modes. Speed can also be adjusted using a remote.




› Spot-Lock

The Spot-Lock  button is located on the bottom right side of the Foot Pedal and is labeled with an anchor symbol. When the Spot-Lock button is pressed, the location of the motor is recorded to a temporary Spot-Lock location. The yellow SPOT-LOCK  LED on the Indicator Panel is illuminated when Spot-Lock is engaged. To engage Spot-Lock, press the Spot-Lock button. To disengage, press the Spot-Lock button again. In the default Audio Mode, a tone is emitted from the Control Head when Spot-Lock is engaged. If the Audio Mode is set to Alarm Only, a tone will not be emitted when Spot-Lock is engaged. To learn more about Audio Modes, refer to the One-Boat Network app Owner's Manual. When disengaging Spot-Lock with the Spot-Lock button, no tone will be emitted from the Control Head. Steering the motor with the Foot Pedal or adjusting the speed using the Speed Control Knob will cancel Spot-Lock, and a High-Low, High-Low, High-Low tone will be emitted from the Control Head. Spot-Lock can be engaged in Normal and Deployment Modes, and switching between Modes does not cancel Spot-Lock. Spot-Lock can also be controlled with the Advanced GPS Navigation Wireless Remote or the One-Boat Network app. For more specific information, please refer to the accessory Owner's Manuals online at minnkota.johnsonoutdoors.com.

› Steer Right/Steer Left

The Steer Right  and Steer Left  buttons are located at the bottom of the Foot Pedal. They function to steer the trolling motor to the right and left when the Foot Pedal is operating in Normal Mode. The white MODE  LED on the Indicator Panel will not be illuminated when in Normal Mode. Holding the Steer Right or Steer Left buttons down will continue to steer the motor to the left or right. Small steering changes of less than one degree can be made by quickly tapping the Steer Right and Steer Left buttons.

› Trim Down/Trim Up

The Trim Down  and Trim Up  buttons are located at the bottom of the Foot Pedal. The Trim Down button trims the motor down, and the Trim Up button trims the motor up. The buttons trim the motor when the Foot Pedal operates in Deployment Mode. The white MODE  LED on the Indicator Panel will be illuminated during Deployment Mode.

CAUTION



The steering system is designed to turn your motor 460 degrees. Be careful to avoid over-wrapping the Coil Cord around the trolling motor Shaft.

WARNING



When trimming the motor, keep fingers clear of all hinges, pivot points, and all moving parts. When stowing and deploying the motor, ensure that it doesn't contact the boat, trailer, or any other obstruction.




› Prop ON/OFF


The Prop ON/OFF  button is located in the middle, at the bottom of the Foot Pedal. It functions to momentarily turn the Prop on and off when the Foot Pedal is operating in Normal Mode. The white MODE  LED on the Indicator Panel will not be illuminated when in Normal Mode. The Prop will turn on when pressure is applied and off when the pressure on the button is removed. The Prop button does not change the behavior of the Prop when the Constant button is engaged.

› Stow/Deploy

The Stow/Deploy  button is located in the middle, at the bottom of the Foot Pedal. It functions to stow and deploy the motor when the Foot Pedal is operating in Deployment Mode. The white MODE  LED on the Indicator Panel will be illuminated during Deployment Mode. When the trolling motor is deployed, press the Stow/Deploy button to stow it. Double-press the Stow/Deploy button on the Foot Pedal to deploy the motor when it is stowed. When stowing and deploying the motor, it automatically disables the operational function of the Foot Pedal or paired remote. The Prop is also disabled when the motor is stowed and deployed.



 **WARNING**

When stowing or deploying the motor, keep fingers clear of all hinges, pivot points and all moving parts. When stowing and deploying the motor, ensure that it doesn't contact the boat, trailer, or any other obstruction.

 **WARNING**

When the motor is being transported, it is important to always stow the Motor and make sure it is locked in place. A secure stow holds the motor in place during transportation when it is subject to high levels of shock and vibration. Failure to stow the motor may result in injury or damage to the unit.

› Constant

The Constant  button is located on the left side of the Foot Pedal, towards the bottom, right below the One-Boat Network button. It functions to toggle the motor between Constant motor operation and Momentary motor operation. The green CONSTANT  LED on the Indicator Panel will be illuminated when the motor is in Constant motor operation. In Constant motor operation, the Prop will continually run, regardless of whether or not force is being applied to the Momentary button or Prop ON/OFF button. While in Constant motor operation, the Prop will run continuously at the speed set by the Speed Control Knob, the Advanced GPS Navigation Wireless Remote, or the One-Boat Network app.

If the Prop encounters an obstruction while in Momentary or Constant motor operation while running, the increased electrical current generated by the obstruction will signal the motor to decrease the power to the Prop to prevent damage. If the current overload is detected for more than 20 seconds, the Prop will be disabled to prevent damage to the motor. In this event, the operator can turn the Prop back on after ensuring the obstruction has been cleared.

NOTICE: The motor will not auto correct to drive straight when it encounters an obstruction.

› Momentary

In Momentary motor operation, the Prop will only run while a downward force is applied to the Momentary button. The Momentary button is on the Toe End of the pedal. Applying downward pressure to the Momentary button will turn the Prop “on.” The motor will then run at the speed set by the Speed Control Knob, the Advanced GPS Navigation Wireless Remote, or the One-Boat Network app. Removing downward force from the Momentary button will turn the Prop off. No indicator light is associated with the Momentary button. The Momentary button functions similarly to the Prop ON/OFF button but works in both Normal and Deployment Modes.



FOOT PEDAL OPERATION



› Heel/Toe Steering

Push the Toe End of the Foot Pedal down to turn right, and push the Heel End of the Foot Pedal down to turn left. The position and direction of the Control Head directly correspond to the position of the motor. Use the foot on the Foot Pedal to control the steering direction during manual operation. Heel/Toe Steering functions the same in Normal Mode and Deployment Mode. The direction of the trolling motor can also be controlled with the Advanced GPS Navigation Wireless Remote and the One-Boat Network app.


› One-Boat Network

The One-Boat Network (OBN)  button is located in the middle, on the left side of the Foot Pedal. It is a customizable button that may change functions based on user selection. Pressing the OBN button will activate the assigned OBN function. The red One-Boat Network (OBN)  LED on the Indicator Panel is illuminated when this feature is engaged. Each function has a different LED pattern. AutoPilot is the default OBN function. Please review the “One-Boat Network” section of these instructions to learn more.



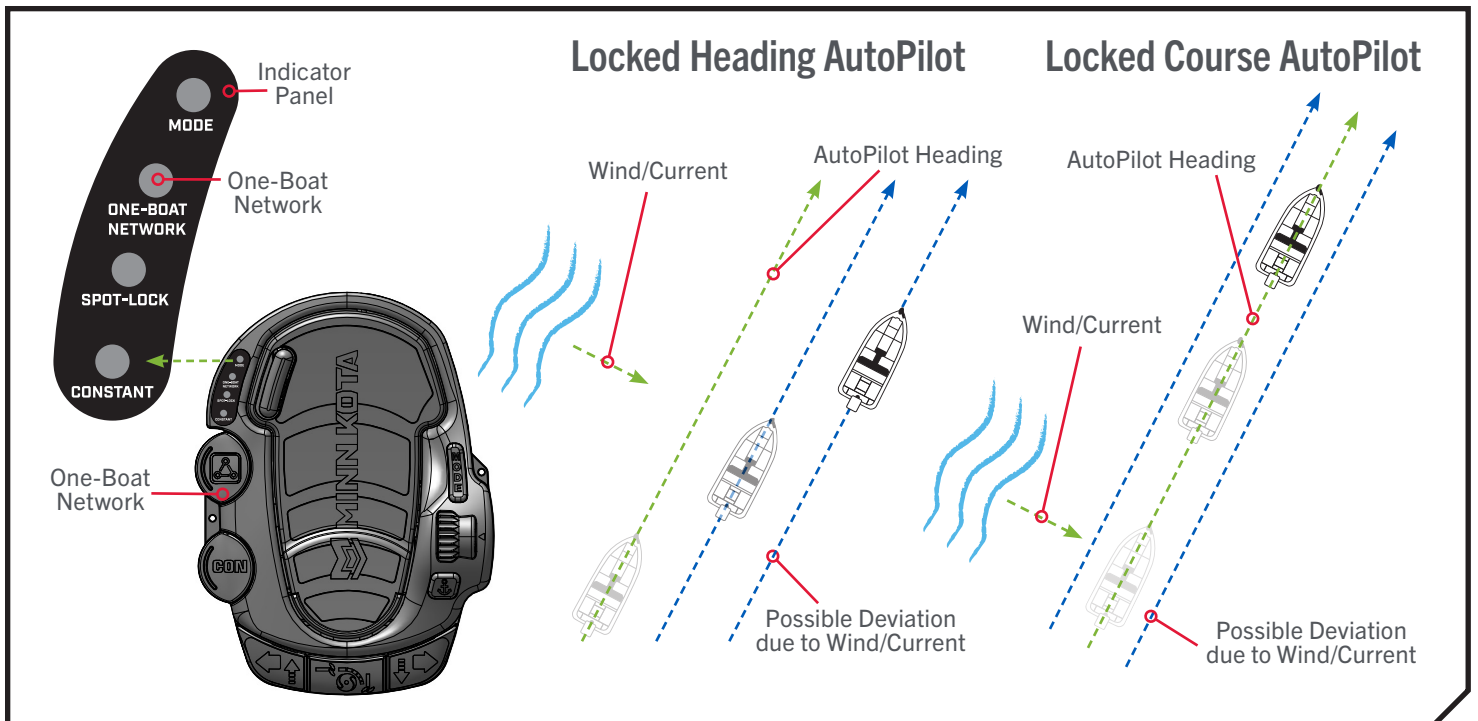
AUTOPILOT

AUTOPILOT AND THE ONE-BOAT NETWORK

AutoPilot on the Advanced GPS Navigation System uses an internal compass to keep the trolling motor pointed in the same compass direction. If the One-Boat Network (OBN)  button on the Corded Foot Pedal is customized to the AutoPilot function, the button will engage and disengage AutoPilot.

AUTOPILOT MODES

Two different modes of AutoPilot are available, Locked Heading AutoPilot and Locked Course AutoPilot. Both are collectively referred to as AutoPilot. There are distinct differences between the two AutoPilot Modes and how they control the boat. Both Locked Heading and Locked Course AutoPilot are valuable tools anglers can use for accurate and precise bait presentation. Minn Kota highly recommends getting on the water and trying both Locked Heading AutoPilot and Locked Course AutoPilot in various fishing situations and applications. The AutoPilot mode can be set using the Advanced GPS Navigation Wireless Remote or the One-Boat Network app.



› Locked Heading AutoPilot

AutoPilot uses an internal compass to provide heading lock. When Locked Heading AutoPilot is on, it keeps the motor pointed in the same compass direction. If a manual steering correction is made, Locked Heading AutoPilot locks onto the new compass heading to which the boat was steered. This method of heading tracking does not take into account external forces such as a side wind or currents, which can allow side drift.

› Locked Course AutoPilot

Locked Course AutoPilot uses not only compass heading but also GPS data to correct for crosswinds, currents, and other external forces to keep the boat on the intended course. When Locked Course AutoPilot is turned on, it creates a course that the trolling motor will follow. When the user steers to a new heading, a new course is created. Locked Course AutoPilot will keep the boat on the course in most conditions. When very extreme conditions exist, such as very strong winds or currents, the trolling motor may not have enough power to control the boat smoothly. In these extreme cases, it may be best to use Locked Heading AutoPilot and let the boat move with the wind or current if the motor is not powerful enough to overcome it.

AUTOPILOT

⚠ CAUTION

This unit uses a magnetic compass to detect the direction of travel. The compass can be adversely affected by magnets or large, ferrous metal objects near (within 12" of) the trolling motor control head.

Obstructions on the Prop may cause excessive vibration of the motor control head. This vibration can cause the compass to wander and erratic steering to occur. Clear the obstruction to return the motor to normal operation.

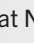

The trolling motor has automatic steering shutdown for safety. In conditions where an obstruction prevents the trolling motor from turning, or in extremely windy conditions, the automatic steering may stop. Any steering input will reset the system to normal.

When AutoPilot is "on" and the trolling motor is pulled out of the water to the stow position, the steering motor will continue to run until the motor is stowed properly. Once the motor is stowed properly, AutoPilot will turn "off", and the AutoPilot Indicator will no longer be illuminated.

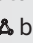
› Toggle AutoPilot On/Off

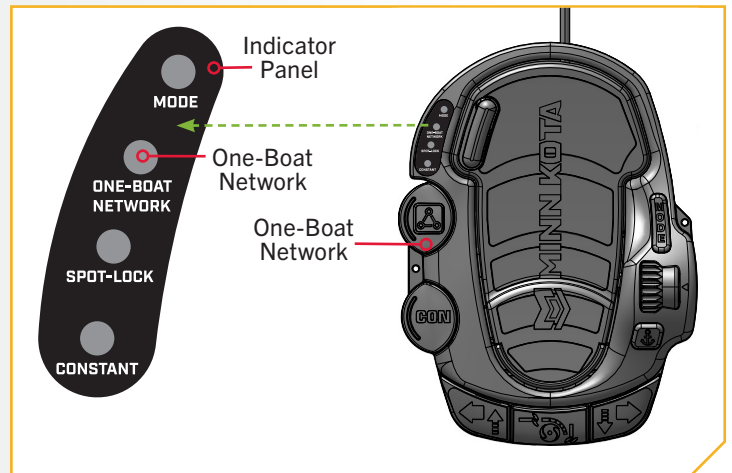
When AutoPilot is on, and the trolling motor is pulled out of the water to the stow position, the steering motor will continue to run. Turn AutoPilot off to stop the motor. If AutoPilot is left on, the steering motor will shut off automatically after 10 seconds. The motor should not be stored in this condition for long periods as power is still being applied to all electronics. Always turn AutoPilot off and disconnect the motor from the battery when storing the boat.

1

- a. While the motor is running, AutoPilot can be turned on by pressing the One-Boat Network  button located on the Foot Pedal.
- b. The red One-Boat Network  LED on the Indicator Panel will illuminate when AutoPilot is engaged. While AutoPilot is on, steer the trolling motor as desired.

NOTICE: After steering to a new direction, there is a short delay before the direction is locked in to allow the compass to stabilize. When broad speed changes are made, the AutoPilot heading may change slightly. This is normal.

- c. To turn AutoPilot off, press the One-Boat Network  button.




⚠ CAUTION

When AutoPilot is on, and the trolling motor is pulled out of the water to the stow position, the steering motor will continue to run. Turn AutoPilot off to stop the motor. If AutoPilot is left on, the steering motor will shut off automatically after 10 seconds. The trolling motor should not be stored in this condition for long periods as power is still being applied to all electronics. Always turn AutoPilot off and disconnect your motor from the battery when storing your boat.

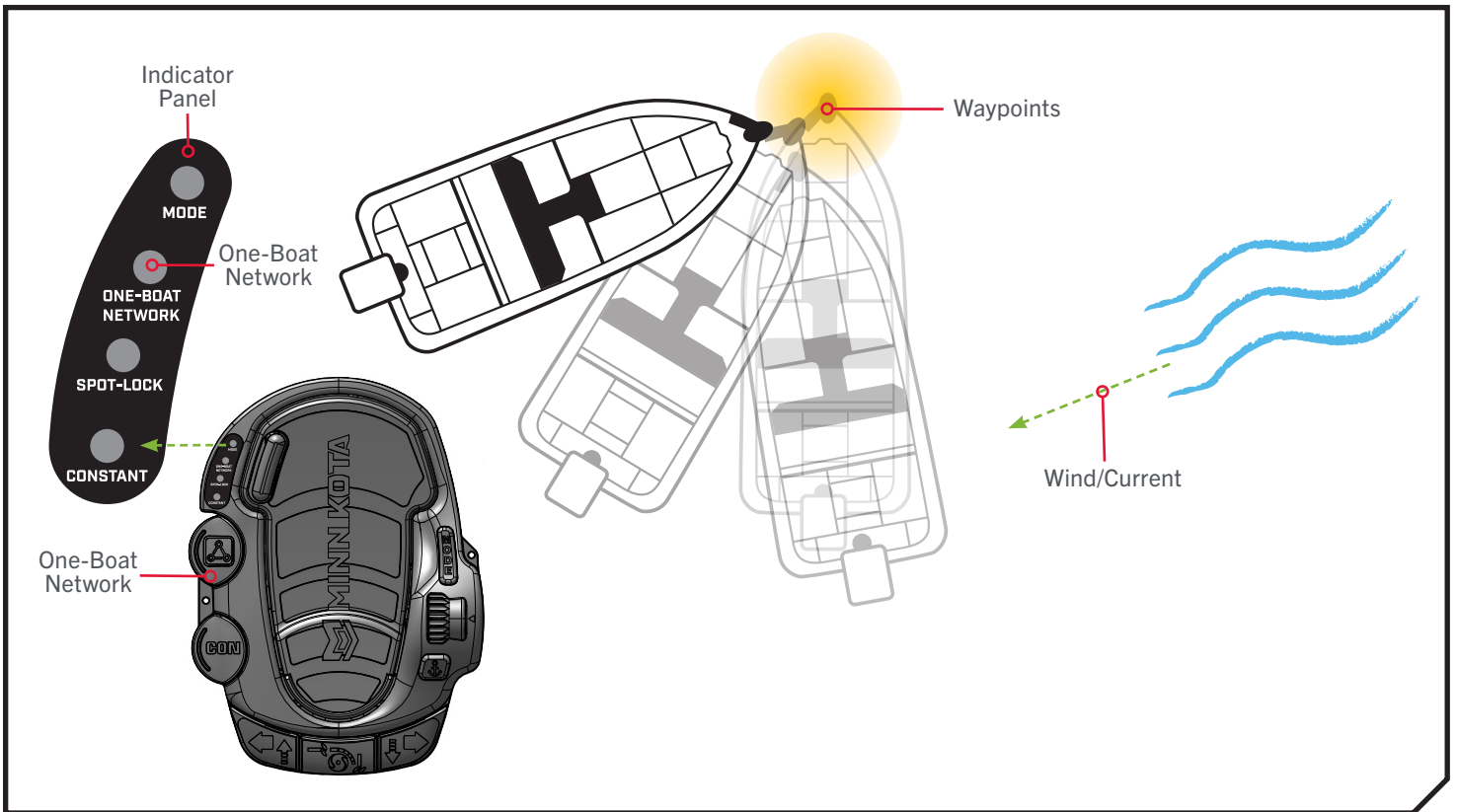
WAYPOINTS

WAYPOINTS AND THE ONE-BOAT NETWORK

Waypoints are saved latitude/longitude positions. They mark a position of interest, such as favorite fishing areas, structures, or marker buoys. Waypoints work similarly to Spot-Locks. If the One-Boat Network (OBN)  button on the Corded Foot Pedal is customized to the Waypoint function, the button will mark WayPoints in the Advanced GPS Navigation System when pressed. For more information on working with Waypoints, please see the Advanced GPS Navigation System or Humminbird owner's manual.

WARNING



Watch for a turning prop when working with Waypoints. Auto Prop On is set to "off" by default on the Advanced GPS Navigation System. If Auto Prop On is turned "on," the prop will automatically turn on when a Waypoint is engaged, even if the engagement is accidental. A turning prop can cause injury. If Auto Prop On is turned "off," the Prop must be enabled before the boat will begin navigating to a Waypoint.



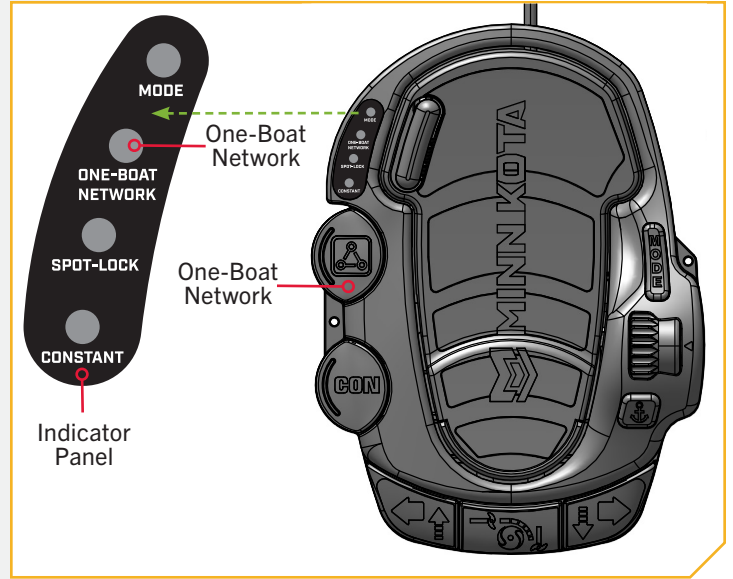
WAYPOINTS

› Mark a WayPoint

1

- a. While the trolling motor is running, mark a Waypoint by pressing the One-Boat Network  button. The red One-Boat Network  LED on the Indicator Panel will briefly illuminate and then turn off to indicate a Waypoint is marked.

NOTICE: Please see the One-Boat Network section of these instructions to learn how to customize the function of the One-Boat Network button on the Foot Pedal.



SHALLOW WATER ANCHOR

SHALLOW WATER ANCHOR CONTROL AND THE ONE-BOAT NETWORK

The One-Boat Network allows for control of a Shallow Water Anchor (SWA) when one is paired with the Advanced GPS Navigation Bluetooth Network. SWAs that can pair with the Advanced GPS Navigation system include the Minn Kota Bluetooth enabled Raptor and Talon. For more information on how to pair the SWA with the Advanced GPS Navigation system, please see the owner's manual.

When two Raptors are paired together or two Talons are paired together, the anchor selected and controlled by the Foot Pedal can be Port, Starboard or both. To change the selection of which anchor is selected, use the remote or app paired to the Shallow Water Anchor.

WARNING

Be sure that the Raptor/Talon is clear of obstructions and persons while deploying or retracting. Take care that neither you nor other persons approach the Raptor/Talon too closely while operating, neither with body parts nor with objects. The Raptor/Talon is powerful and may endanger or injure you or others. While the Raptor/Talon is operating, watch out for persons swimming and for floating objects. Persons who lack the ability to run the Raptor/Talon or whose reactions are impaired by alcohol, drugs, medication, or other substances are not permitted to use this product.

CAUTION

The Talon is equipped with a Deployment Notification Alarm. The Alarm is needed to comply with warranty requirements and when properly installed the alarm will only sound when the ignition key is turned on when the Talon is not fully retracted. Boat control may be affected by a deployed Talon. Take note of the Alarm, and always watch to make sure that the Talon is fully retracted while the boat is operating.

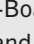
CAUTION

The spaces between the Outer Arm, Inner Arm, Spike and brackets of the Raptor can create a pinch point. Do not come in contact with an area of the Raptor that may cause a pinch point while it is moving in any direction to avoid the risk.


SHALLOW WATER ANCHOR

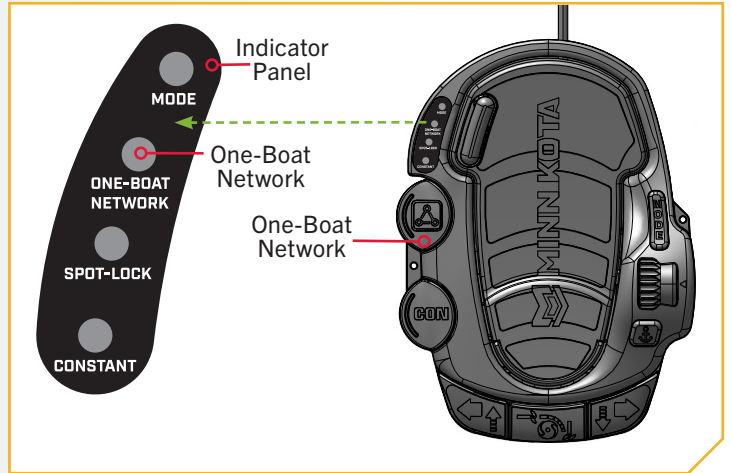
Deploy the Shallow Water Anchor

1

- a. Check to make sure that the Shallow Water Anchor (Raptor/Talon) is powered “on” and paired to the One-Boat Network app.
- b. Locate the One-Boat Network  button located on the Foot Pedal and double-press it to deploy the Raptor/Talon.

NOTICE: The One-Boat Network button does not need to be held in to keep the Raptor/Talon deploying. The Raptor/Talon will automatically continue to deploy when the button is double-pressed until it has reached its full deployment, received input to stop, or anchors.

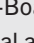
- c. The red One-Boat Network  LED on the Indicator Panel will steadily flash when the anchor is deploying and stay on when the anchor is at any state of deployment.




NOTICE: While the Raptor/Talon is deploying, the action can be paused by pressing the One-Boat Network button on the Foot Pedal.

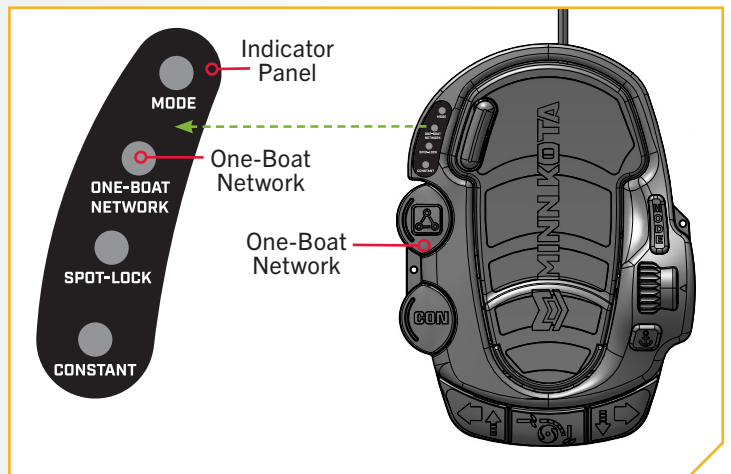
Retract the Shallow Water Anchor

1

- a. Check to make sure that the Shallow Water Anchor (Raptor/Talon) is powered “on” and paired to the One-Boat Network app.
- b. Locate the One-Boat Network  button located on the Foot Pedal and press it to retract the Raptor/Talon.


NOTICE: While the Raptor/Talon is retracting, the action can be paused by pressing the One-Boat Network button on the Foot Pedal.

- c. The red One-Boat Network  LED on the Indicator Panel will steadily flash when the anchor is retracting and stay on when the anchor is at any state of deployment.



SPOT-LOCK

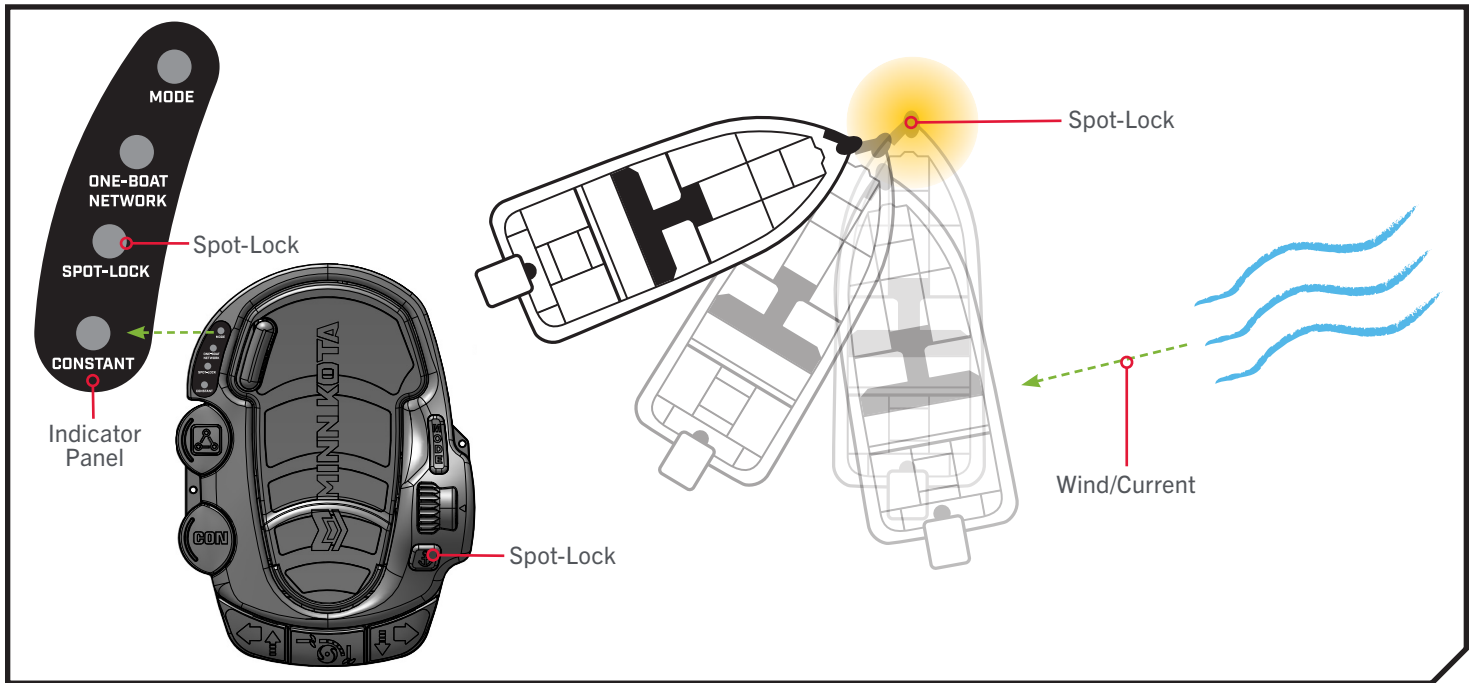
HOW SPOT-LOCK WORKS

Spot-Lock uses a single point of reference that is recorded when the Spot-Lock  button is pressed. The reference point is a set of GPS coordinates captured at the location of the trolling motor at the moment the button is pressed. This point is recorded and can be saved into one of the Spot-Lock memory locations. Spot-Lock works by recognizing the GPS coordinates and will automatically navigate the boat to keep it at the Spot-Lock location. If the motor recognizes it is not positioned at the Spot-Lock location, it will control motor speed and direction in an attempt to keep the motor on the Spot-Lock. For more specific instructions on using Spot-Lock, please refer to the Wireless Remote owner's manual.

NOTICE: Spot-Lock is based on the location of the trolling motor, not on the location or direction of the boat. Outside forces such as wind and current will cause the boat to move. Spot-Lock will navigate to maintain the motor on the Spot-Lock location regardless of the position of the boat.

WARNING

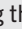

Watch for a turning Prop when working with Spot-Lock. The Prop will automatically turn on when Spot-Lock is engaged, even if the engagement is accidental. A turning Prop can cause injury. The Prop will turn "on" for Spot-Lock, regardless of the Prop Auto On setting used on the other control methods in the Advanced GPS Navigation System.



SPOT-LOCK

› Toggle Spot-Lock On/Off

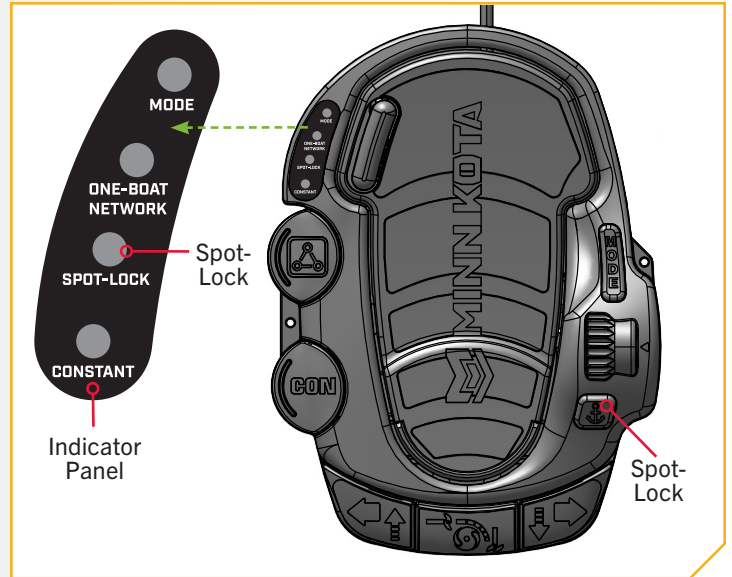
1

- a. While the motor is running, Spot-Lock can be turned on by pressing the Spot-Lock  button located on the Foot Pedal. The yellow SPOT-LOCK  LED on the Indicator Panel is illuminated when Spot-Lock is engaged.

NOTICE: In the default Audio Mode, a tone is emitted when Spot-Lock is engaged. If the Audio Mode is set to Alarm Only, a tone will not be emitted when Spot-Lock is engaged. To learn more about Audio Modes, refer to the One-Boat Network app Owner's Manual.

- b. To disengage Spot-Lock when engaged, press the Spot-Lock button again, or press any button on the Foot Pedal to manually steer the trolling motor.

NOTICE: When disengaging Spot-Lock with the Spot-Lock button on the Foot Pedal, no tone will be emitted. Steering the motor with the Foot Pedal or adjusting the speed using the Speed Knob will cancel Spot-Lock, and a High-Low, High-Low, High-Low tone will be emitted.



NOTICE: Pressing any button on the Foot Pedal or manually steering the motor with the Foot Pedal will disengage Spot-Lock. Manually steering or adjusting the Prop Speed with a paired remote will also cancel Spot-Lock.

SERVICE & MAINTENANCE

PROP REPLACEMENT

TOOLS AND RESOURCES REQUIRED >

- 9/16" Deep Well Socket

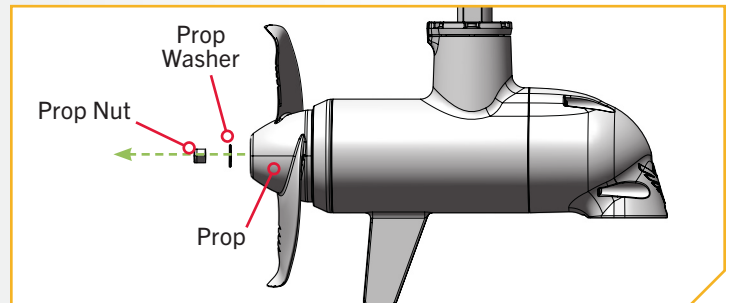
INSTALLATION >

1

CAUTION

Disconnect the motor from all sources of power before beginning any prop work or maintenance.

- Hold the Prop and loosen the Prop Nut with a 9/16" Deep Well Socket.
- Remove the Prop Nut and Prop Washer.



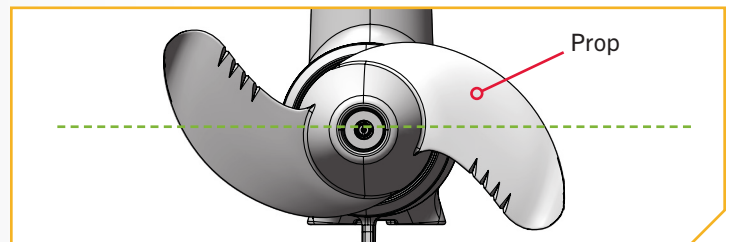
NOTICE: If the Drive Pin is sheared or broken, hold the Armature Shaft stationary with a Flat-Blade Screwdriver by pressing into the slot on the end of the shaft while loosening the Prop Nut.

2

- Turn the old Prop so it is horizontal and pull it straight off. If the Drive Pin falls out, push it back in.

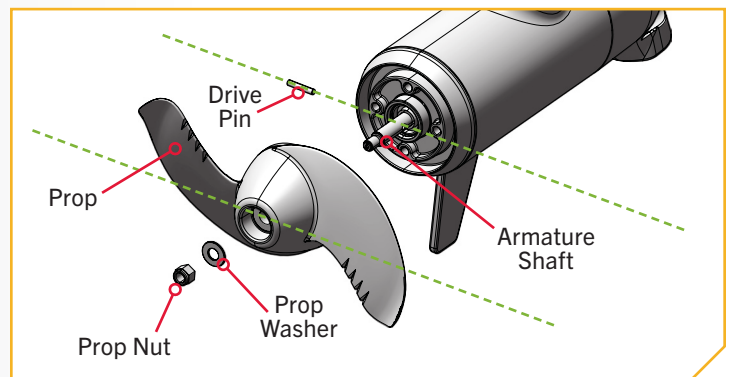
CAUTION

If the Prop does not readily slide off, take care not to bend the Armature Shaft. Pull the Prop evenly off the Armature Shaft.



3

- Align the new Prop so it is horizontal and parallel with the Drive Pin. Slide the Prop onto the Armature Shaft and Drive Pin until it is seated against the lower unit.
- Reinstall the Prop Washer and Prop Nut onto the end of the Armature Shaft. While holding the Prop horizontal, tighten the Prop Nut with a 9/16" Deep Well Socket. Tighten the Prop Nut to 25-35 in-lb.



CAUTION

Do not over-tighten as this can damage the Prop.

GENERAL MAINTENANCE



GENERAL MAINTENANCE


- After use, the entire motor should be rinsed with freshwater. This series of motor is not equipped for saltwater exposure.
- The composite shaft requires periodic cleaning and lubrication for proper retraction and deployment. A coating of an aqueous-based silicone spray will improve operation.
- The Prop must be inspected and cleaned of weeds and fishing line after every use. Fishing line and weeds can get behind the Prop, damage the seals and allow water to enter the motor.
- The Prop is designed to provide weed-free operation with very high efficiency. To maintain this top performance, the leading edge of the blades must be kept smooth. If they are rough or nicked from use, restore to smoothness by sanding with fine sandpaper.
- Verify that the Prop Nut is secure each time the motor is used.
- To prevent accidental damage during transportation or storage, disconnect the battery whenever the motor is off the water. For prolonged storage, lightly coat all metal parts with an aqueous-based silicone spray.
- When using lithium batteries, it is best to charge them right before using them. Storing lithium batteries in a fully charged state for long periods of time may cause damage to the batteries. Check with the battery manufacturer for specifics on the battery.
- For maximum battery life of all other batteries except lithium, recharge the battery(s) as soon as possible after use. For maximum motor performance, restore the battery to full charge prior to use. Check with the battery manufacturer for specifics on the battery.
- Keep battery terminals clean with fine sandpaper or emery cloth.
- Stow the motor after each use to allow water to drain from the Steering Housing. Water that sits in the steering housing when the motor is not in use may cause damage.
- When the motor is deployed, periodically check that the area between the Mount and Steering Housing is clean and free of debris. The Mount contains a Stow Pad that contacts the Steering Housing when stowed. If debris such as dirt, gravel, weeds, or fishing line enters this space, it may create an obstruction on the Stow Pad and prevent a secure stow. Periodically clean this space to ensure a secure stow.
- Keep the Foot Pedal well dry and clean. Debris that gets in the Foot Pedal can cause interference of pedal operation. It is recommended to use compressed air to clean the Foot Pedal after each use.
- Periodically check the motor for loose hardware and damaged components.

TROUBLESHOOTING


1. Motor fails to run or lacks power:
 - Check the state of the batteries and replace if necessary. Low battery voltage will cause an error.
 - Check battery connections for proper polarity.
 - Make sure the battery is charged.
 - Make sure terminals are clean and corrosion-free. Use fine sandpaper or emery cloth to clean terminals.
 - Check circuit protection devices.
 - Check battery water level. Add water if needed.
2. Motor loses power after a short running time:
 - Check battery charge. If low, restore to full charge, or replace.
3. You experience Prop vibration during normal operation:
 - Remove and rotate the Prop 180°. See removal instructions in the "Prop Replacement" section. Replace Prop if worn.



- 4. Experiencing interference with your fish finder:
 - You may, in some applications, experience interference in your fish finder display. We recommend that you use a separate deep cycle marine battery system for your trolling motor. If problems still persist, call our service department at 1-800-227-6433.
- 5. Motor contacts an object while trimming, causing an audible tone:
 - Reverse the direction of trimming to clear motor from obstruction.
- 6. Motor contacts an object while stowing, causing an audible tone:
 - Reverse the current cycle to clear the motor from the obstruction. Reverse the stow/deploy action with the wireless remote, One-Boat Network app, or by pressing the Stow/Deploy button on the Foot Pedal.
- 7. Motor fails to trim:
 - Check main lift-belt tension per the "Motor Adjustments" section.
 - Conduct a Trim Reset procedure using the Indicator Panel at the base of the mount.
 - a. To conduct a Trim Reset, press the Power button on the Indicator Panel three times consecutively within a two-second period.
 - b. The blue System Status LED and orange Stowed LED will flash continuously while the Ulterra QUEST goes through an automated sequence.
 - c. The motor will rotate into the Stow Orientation position.
 - d. The motor will trim up to the Mount and then trim down approximately six inches.
 - e. The flashing blue orange Stowed LED will turn off, and the flashing blue System Status LED will become solid blue.


WARNING

During the Trim Reset procedure, the motor will go into an automated sequence. Keep fingers clear of all hinges, pivot points and all moving parts. Ensure that the motor or parts of the motor do not contact the boat, trailer, persons, or any other obstruction.

- 8. Motor fails to stow or deploy:
 - Check for obstructions preventing the motor from deploying or stowing.
 - Check charge state of trolling motor batteries. If trolling motor battery icon on remote is flashing, battery charge is too low for operation.
 - If unable to stow by any other method, see the "Emergency Stow Procedures" section for details on manually stowing the motor.
- 9. Prop will not turn on:
 - Ensure batteries are sufficiently charged.
 - For safety reasons, there is a Prop Lockout Region (approx. 16" from bottom of Mount to center of Lower Unit). Ensure that the Lower Unit is not in this region.
- 10. Experiencing flashing red System Status  LED on the Indicator Panel:
 - The trolling motor is communicating that there is an error. Check the Wireless Remote Diagnostic menu for an error code, then refer to the Wireless Remote owner's manual for information on error codes and solutions. Correct the error and cycle power to the trolling motor. If the LED continues to flash red, please contact the Minn Kota service department.

NOTICE: For all other malfunctions, visit an Authorized Service Center. You can search for an Authorized Service Center in your area by visiting minnkota.johnsonoutdoors.com, or by calling our customer service number at 800-227-6433.

FOR FURTHER TROUBLESHOOTING AND REPAIR



FOR FURTHER TROUBLESHOOTING AND REPAIR

We offer several options to help you troubleshoot and/or repair your product. Please read through the options listed below.



Buy Parts Online

You can buy parts online directly from our website at minnkota.johnsonoutdoors.com. From screws to sideplates, you can order replacement parts for your Minn Kota products.



Frequently Asked Questions

Find answers to general inquiries, battery and rigging installation, and networking scenarios. We have FAQs available on our website at minnkota.johnsonoutdoors.com to help answer all of your Minn Kota questions.



Call Us (for U.S. and Canada)

Our consumer service representatives are available Monday – Friday between 7:00 a.m. – 4:30 p.m. CST at 800-227-6433. If you are calling to order parts, please have the 11-character serial number from your product, specific part numbers, and credit card information available. This will help expedite your call and allow us to provide you with the best consumer service possible. You can reference the parts list located in your manual to identify the specific part numbers.



Contact Us

You can contact our consumer service department with questions regarding your Minn Kota products. To inquire, visit minnkota.johnsonoutdoors.com.



Authorized Service Centers

Minn Kota has over 800 authorized service centers in the United States and Canada where you can purchase parts or get your products repaired. Please visit our website to locate a service center in your area.



Scan to visit
Minn Kota
service online.



COMPLIANCE STATEMENTS

ENVIRONMENTAL COMPLIANCE STATEMENT

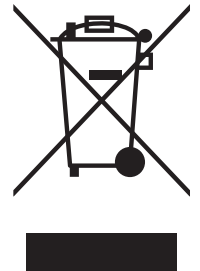
It is the intention of JOME to be a responsible corporate citizen, operating in compliance with known and applicable environmental regulations, and a good neighbor in the communities where we make or sell our products.

WEEE DIRECTIVE

EU Directive 2002/96/EC “Waste of Electrical and Electronic Equipment Directive (WEEE)” impacts most distributors, sellers, and manufacturers of consumer electronics in the European Union. The WEEE Directive requires the producer of consumer electronics to take responsibility for the management of waste from their products to achieve environmentally responsible disposal during the product life cycle.

WEEE compliance may not be required in your location for electrical & electronic equipment (EEE), nor may it be required for EEE designed and intended as fixed or temporary installation in transportation vehicles such as automobiles, aircraft, and boats. In some European Union member states, these vehicles are considered outside of the scope of the Directive, and EEE for those applications can be considered excluded from the WEEE Directive requirement.

This symbol (WEEE wheelee bin) on product indicates the product must not be disposed of with other household refuse. It must be disposed of and collected for recycling and recovery of waste EEE. Johnson Outdoors Inc. will mark all EEE products in accordance with the WEEE Directive. It is our goal to comply in the collection, treatment, recovery, and environmentally sound disposal of those products; however, these requirements do vary within European Union member states. For more information about where you should dispose of your waste equipment for recycling and recovery and/or your European Union member state requirements, please contact your dealer or distributor from which your product was purchased.



DISPOSAL

Minn Kota motors are not subject to the disposal regulations EAG-VO (electric devices directive) that implements the WEEE directive. Nevertheless never dispose of your Minn Kota motor in a garbage bin but at the proper place of collection of your local town council.

Never dispose of battery in a garbage bin. Comply with the disposal directions of the manufacturer or his representative and dispose of them at the proper place of collection of your local town council.

REGULATORY COMPLIANCE INFORMATION

› Advanced GPS Navigation

For regulatory information on motors that come factory installed with Advanced GPS Navigation, please refer to the Advanced GPS Navigation Owner’s Manual online at minnkota.johnsonoutdoors.com.

COMPLIANCE STATEMENTS



FCC COMPLIANCE

This device complies with Part 15 of the FCC rules. **Operation is subject to the following two conditions:**

1. This device may not cause harmful interference.
2. This device must accept any interference that may be received, including interference that may cause undesired operation.

Changes or modifications not expressly approved by Johnson Outdoors Marine Electronics, Inc. could void the user's authority to operate this equipment.

NOTICE: This equipment has been tested and found to comply with the limits for a Class B digital device, pursuant to part 15 of the FCC Rules. These limits are designed to provide reasonable protection against harmful interference in a residential installation. This equipment generates, uses and can radiate radio frequency energy and, if not installed and used in accordance with the instructions, may cause harmful interference to radio communications. However, there is no guarantee that interference will not occur in a particular installation. **If this equipment does cause harmful interference to radio or television reception, which can be determined by turning the equipment off and on, the user is encouraged to try to correct the interference by one or more of the following measures:**

- Reorient or relocate the receiving antenna.
- Increase the separation between the equipment and receiver.
- Connect the equipment into an outlet on a circuit different from that to which the receiver is connected.
- Consult the dealer or an experienced radio/TV technician for help.

INDUSTRY CANADA COMPLIANCE

This product meets the applicable Industry Canada technical specifications. Operation is subject to the following two conditions: (1) this device may not cause interference, and (2) this device must accept any interference, including interference that may cause undesired operation of the device.

ENVIRONMENTAL RATINGS

Ambient operating temperature range: -10C to 50C

Ambient operating humidity range: 5% to 95%

Maximum operating altitude: 10,000 feet



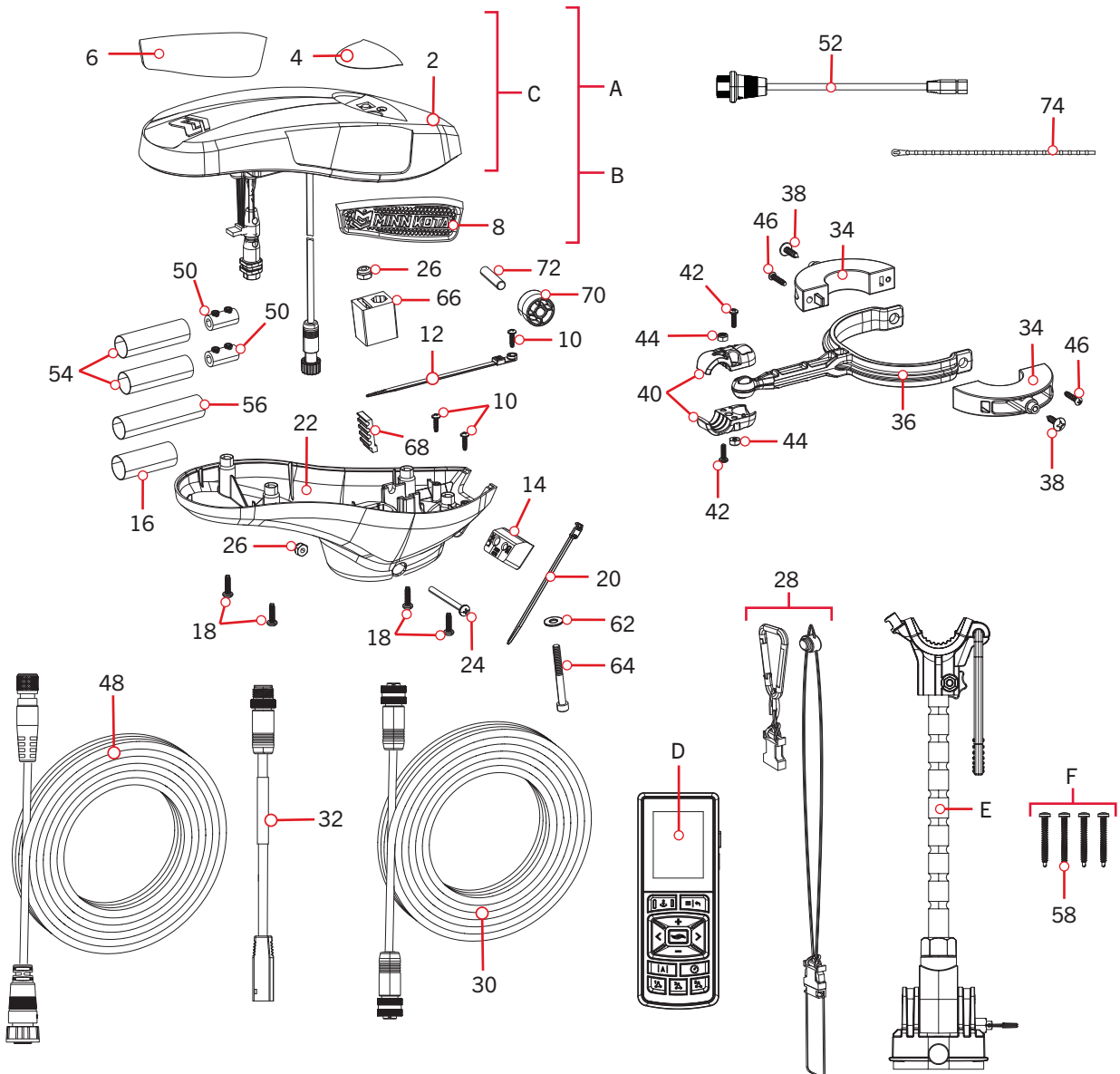
PARTS DIAGRAM & PARTS LIST

ULTERRA QUEST - 90/115 THRUST - 24/36 VOLT - 45"/60"/72" SHAFT

The parts diagram and parts list provide Minn Kota® WEEE compliance disassembly instructions. For more information about where you should dispose of your waste equipment for recycling and recovery and/or your European Union member state requirements, please contact your dealer or distributor from which your product was purchased. Tools required, but not limited to: flat head screwdriver, Phillips screwdriver, socket set, pliers, wire cutters.

ULTERRA QUEST CONTROL HEAD >

> Control Head Parts Diagram



PARTS DIAGRAM & PARTS LIST

Control Head Parts List

Assembly	Part #	Description	Notes	Quantity
A	2774190	CONTROLLER KIT 4.0 QUEST FW	*DUAL SPECTRUM CHIRP*	1
B	2774191	CONTRLLR KT 4.0 QUEST FW w/GND	*MEGA SIDE IMAGING*	1
C	2770247	CTRL BOX COVER QUEST FW		1
D	411690-1	TROLLING MOTOR REMOTE		1
E	2992371	STABILIZER, BWMT ES TM ASM	*72**	1
F	2994955	BAG, ASM MKA-60 STABILIZER	*72**	1
Item	Part #	Description	Notes	Quantity
2	2200220	CONTROL BOX COVER, BLACK		1
4	2395560	DECAL,PUSH BTN,ULT FX,BLK		1
6	2205540	DECAL, CTRL BOX MK RIGHT FW		1
8	2205545	DECAL, CTRL BOX MK LEFT FW		1
10	2203441	SCREW-#6 X 1/2" THRD FORM,SSTL		3
12	2206302	TIE WRAP,SCREW MOUNT 6.3"		1
14	2206711	PLUG, RUBBER, 2D	*DUAL SPECTRUM CHIRP*	1
	2206710	PLUG, RUBBER, DI/SI	*MEGA SIDE IMAGING*	1
16	2205412	SHRINK TUBE-.75 ID X 2"		1
18	2372100	SCREW-#8-18 X 5/8 THD* (SS)		4
20	2206301	TIE WRAP, LOW PROFILE 8"		1
22	2202520	CONTROL BOX BASE, ULT/UTX FW		1
24	2263406	SCREW-#10-24 X 2" S/S PPH		1
26	2333101	NUT-HEX #10-24 UNC-2B NYL SS		1
28	2390802	LANYARD w/CARABINER IP RMT U2		1
30	490637-4	CABLE, ETH, M12-M12, BRAID,30'		1
32	490380-1	CABLE, ETHERNET PIGTAIL-700 HD		1
34	2201530	COLLAR HALF, COIL CORD	*72**	2
36	2201531	COLLAR ARM, COIL CORD	*72**	1
38	2203424	SCREW-#10-12 x.75 PTH SS	*72**	2
40	2200860	CLAMP-BALL,COIL CORD SLDR	*72**	2
42	830-065	SCREW-#6-32 X 1/2" TORX PH SS	*72**	2
44	2323110	NUT-HEX, 6-32 NYLOK SS	*72**	2
46	2203460	SCREW-#8 X 0.75 PPH HI-LO SS	*72**	2
48	490636-3	CABLE, ADPTR, 14P, BRAID, 110"	*DUAL SPECTRUM CHIRP*	1
	490634-1	CABLE, INT MSI- INSTINCT	*MEGA SIDE IMAGING*	1
50	2375444	SPLICER, 6-10 AWG, TIN PLTD		2
52	2994961	BAG ASM, CABLE,ADPTR, 490537-2	*490537-2* *MKR-MI-1* *DUAL SPECTRUM CHIRP* *MEGA SIDE IMAGING*	1
54	2205413	SHRINK TUBE-3/4 X 2.25"		2
56	2205415	SHRINK TUBE-.472 ID X 5"		1
58	2383475	SCREW - #8-18 X 1 1/2 SELF DR SS	*72**	4

▲ Not shown on Parts Diagram.

* This part is included in an assembly and cannot be ordered individually.

PARTS DIAGRAM & PARTS LIST



Item	Part #	Description	Notes	Quantity
62	2201721	WASHER - #10 SAE.), SS		1
64	2203441	SCREW-#6 X 1/2 " THRD FORM, SSTL		1
66	2202800	BLOCK-BELT		1
68	2200800	BELT-RACK, LOWER		1
70	2202335	PULLEY, BELY TOP		1
72	2202635	PIN-DOWEL, 1/4" OD SS		1
74	2206304	TIE WRAP, REUSABLE RED, 6"		1
▲	2207124	MANUAL, ULTERRA		1
▲	2207125	MANUAL, INSTL GD, ULTERRA		1
▲	2297165	MANUAL-DISCLAIMER,DWNLOAD INFO		1
▲	2294950	INSTRUCTIONS,OBV & REMOTE PAIR		1
▲	2397115	GUIDE-QUICK REFERENCE iP 4.0		1
▲	2397110	MANUAL, iPILOT 4.0		1
▲	2207130	BRUSHLESS QS SETUP GUIDE		1
▲	2207126	QK REF GUIDE,ULT Q/INST Q		1
▲	2395540	DECAL, COMPLIANCE, KIT 1.6, 3.0		1
▲	2377179	INSTR. SHEET, MKA-60 STABILIZER	*72**	1
▲	2206819	LABEL-CARTON "CAUTION HEAVY"		1

▲ Not shown on Parts Diagram.

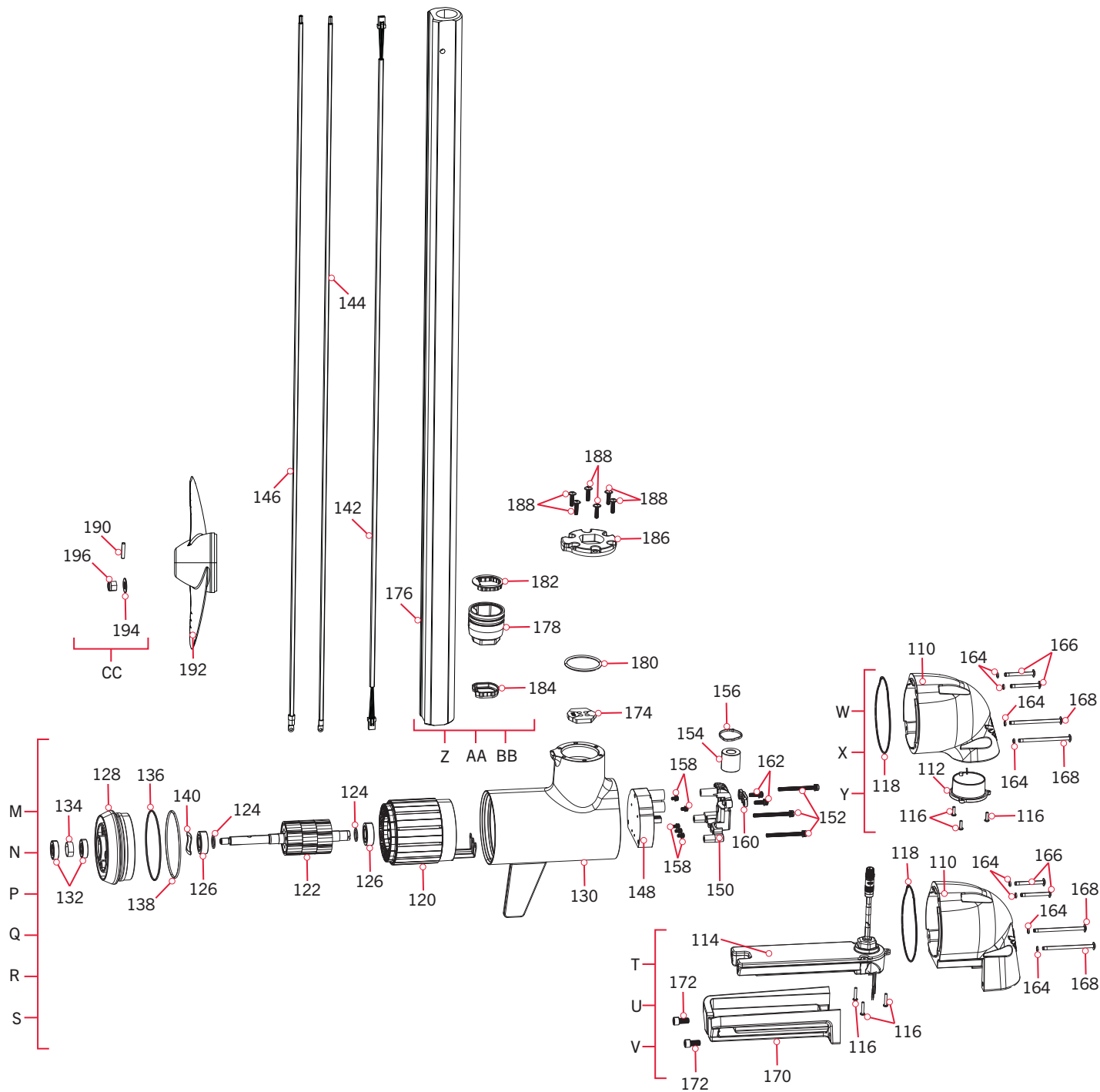
* This part is included in an assembly and cannot be ordered individually.



PARTS DIAGRAM & PARTS LIST

ULTERRA QUEST MOTOR

24/36 Volt 90/115 Thrust Motor Parts Diagram



PARTS DIAGRAM & PARTS LIST

▶ 24/36 Volt 90/115lb Thrust Motor Parts List

Assembly	Part #	Description	Notes	Quantity
M	2441060	MTR ASY 85/115#DSC FW BLK	*45"* *DUAL SPECTRUM CHIRP*	1
N	2441062	MTR ASY 85/115#DSC FW BLK	*60"* *DUAL SPECTRUM CHIRP*	1
P	2441063	MTR ASY 90/115#DSC FW BLK	*72"* *DUAL SPECTRUM CHIRP*	1
Q	2441080	MTR ASY 85/115#MSI FW BLK	*45"* *MEGA SIDE IMAGING*	1
R	2441082	MTR ASY 85/115#MSI FW BLK	*60"* *MEGA SIDE IMAGING*	1
S	2441083	MTR ASY 90/115#MSI FW BLK	*72"* *MEGA SIDE IMAGING*	1
T	2773072	MSI FRONT END 45" QUEST	*45"* *MEGA SIDE IMAGING*	1
U	2773074	MSI FRONT END 60" QUEST	*60"* *MEGA SIDE IMAGING*	1
V	2773075	MSI FRONT END 72" QUEST	*72"* *MEGA SIDE IMAGING*	1
W	2773031	DSC FRONT END 45" QUEST	*45"* *DUAL SPECTRUM CHIRP*	1
X	2773033	DSC FRONT END 60" QUEST	*60"* *DUAL SPECTRUM CHIRP*	1
Y	2773035	DSC FRONT END 72" QUEST	*72"* *DUAL SPECTRUM CHIRP*	1
Z	2991064	BL ASM FW DSC/MSI 45"U2,T3	*SHAFT* *45"*	1
AA	2991065A	BL SHAFT ASM 60" U2,T3 FLX	*SHAFT* *60"*	1
BB	2991066	BL SHAFT ASM 72" ULT, T3	*SHAFT* *72"*	1
CC	2992604	BAG ASSM, PROP HARDWARE		1
Item	Part #	Description	Notes	Quantity
110	✘	FRONT ENDBELL, US3, FW	*DUAL SPECTRUM CHIRP*	1
	✘	FRONT ENDBELL, MSI, FW	*MEGA SIDE IMAGING*	1
112	✘	DSC XDUCER ASSY 62" HW T	*DUAL SPECTRUM CHIRP* *45"*	1
	✘	DSC XDUCER ASSY 73" HW T	*DUAL SPECTRUM CHIRP* *60"*	1
	✘	DSC XDUCER ASSY 86" HW T	*DUAL SPECTRUM CHIRP* *72"*	1
114	✘	BI MSI 67 FOR U2-440494-2	*MEGA SIDE IMAGING* *45"*	1
	✘	BUILT-IN MSI+ 79" FOR U2	*MEGA SIDE IMAGING* *60"*	1
	✘	BI MSI 91 FOR U2-440494-5	*MEGA SIDE IMAGING* *72"*	1
116	✘	SCREW-#6-32 X 1/2" TORX PHSS		3
118	880-032	SEAL-FRONT, BL MOTORS		1
120	✘	STATOR ASSEMBLY		1
122	✘	ROTOR ASSEMBLY		1
124	✘	WASHER BEARING		2
126	✘	BALL BEARING		2
128	✘	REAR ENDBELL, FW PAINT		1
130	✘	CENTER HSG, FW PAINT		1
132	✘	SEAL		2
134	✘	PAPER TUBE - SEAL BORE		1
136	✘	O-RING		1

▲ Not shown on Parts Diagram.

✘ This part is included in an assembly and cannot be ordered individually.

PARTS DIAGRAM & PARTS LIST



Item	Part #	Description	Notes	Quantity
138	✘	O-RING		1
140	✘	WASHER-WAVE		1
142	195-030	CABLE-COM 22GA TWST PAIR 62.38	*45**	1
	195-032	CABLE-COM 22GA TWST PAIR 76.25	*60**	1
	195-033	CABLE-COM 22 GA TWST PAIRS	*72**	1
144	640-470	LEADWIRE RED 8 AWG 64.88"	*45**	1
	640-472	LEADWIRE RED 8 AWG 78.75"	*60**	1
	640-483	LEADWIRE RED 6 AWG 90.13"	*72**	1
146	640-420	LEADWIRE BLK 8 AWG 64.88	*45**	1
	640-422	LEADWIRE BLK 8 AWG 78.75"	*60**	1
	640-433	LEADWIRE BLK 6 AWG 90.13"	*72**	1
148	2994130A	INVERTER ASM, 24/36V, BL	*DUAL SPECTRUM CHIRP*	1
	2994130	INVERTER ASM, 24/36V, BL	*MEGA SIDE IMAGING*	1
150	979-029	STRAIN RELIEF, BTM MACH		1
152	830-118	SCREW-DBL SEM M5X.8MMX60MM		3
154	2307318	FERRITE BEAD, BL		1
156	9953310	TIE WRAP-8.5"		1
158	830-120	SCREW-M4X .7X8 PPH ZPS		5
160	979-022	STRAIN RELIEF, TOP CAST		1
162	830-121	SCREW-M5 X .8X18 PPH ZPS		2
164	701-010	O-RING, SCREW		4
166	830-105	SCREW-FRONT, TOP, RAW, BL MTR		2
168	830-106	SCREW-FRONT, BTM RAW, BL MTR		2
170	792-030	GUARD-SONAR, MSI, FW PAINT	*MEGA SIDE IMAGING*	1
172	830-110	SCREW-5-16-18 X 5/8 SHCS SS	*MEGA SIDE IMAGING*	2
174	880-041	SEAL-WIRE, BL MTR, UNIV. CHIRP	*DUAL SPECTRUM CHIRP*	1
	880-040	SEAL-WIRE, BL MTR, MSI/MDI	*MEGA SIDE IMAGING*	1
176	✘	TUBE-1CM, BLK 45", 1.5 X .875	*45**	1
	✘	TUBE-1CM, BLK 60", 1.5 X .875	*60**	1
	✘	TUBE-3CM, BLK 72", 1.5X.875 CBOR	*72**	1
178	✘	PLUG, COMP SHAFT, PAINTED		1
180	2294630	O-RING, 226, 70 SHORE A		1
182	✘	SEAL-TOP SHAFT, BL, CLR		1
184	✘	SEAL-LWR SHAFT, BL, CLR		1
186	2296432A	PLATE, CLAMP, PAINTED		1
188	830-013	SCREW-M5 X .8 FSHCS SS CTD		6
190	2262659	PIN-DRIVE 1" X 3/16" SS 17-4		1
192	2321170	PROP, POWER REAMED		1
194	2091701	WASHER-PROP (LARGE) MAX101		1
196	2093101	NUT-PROP, NYLOC, LG, MX101 3/8 SS		1

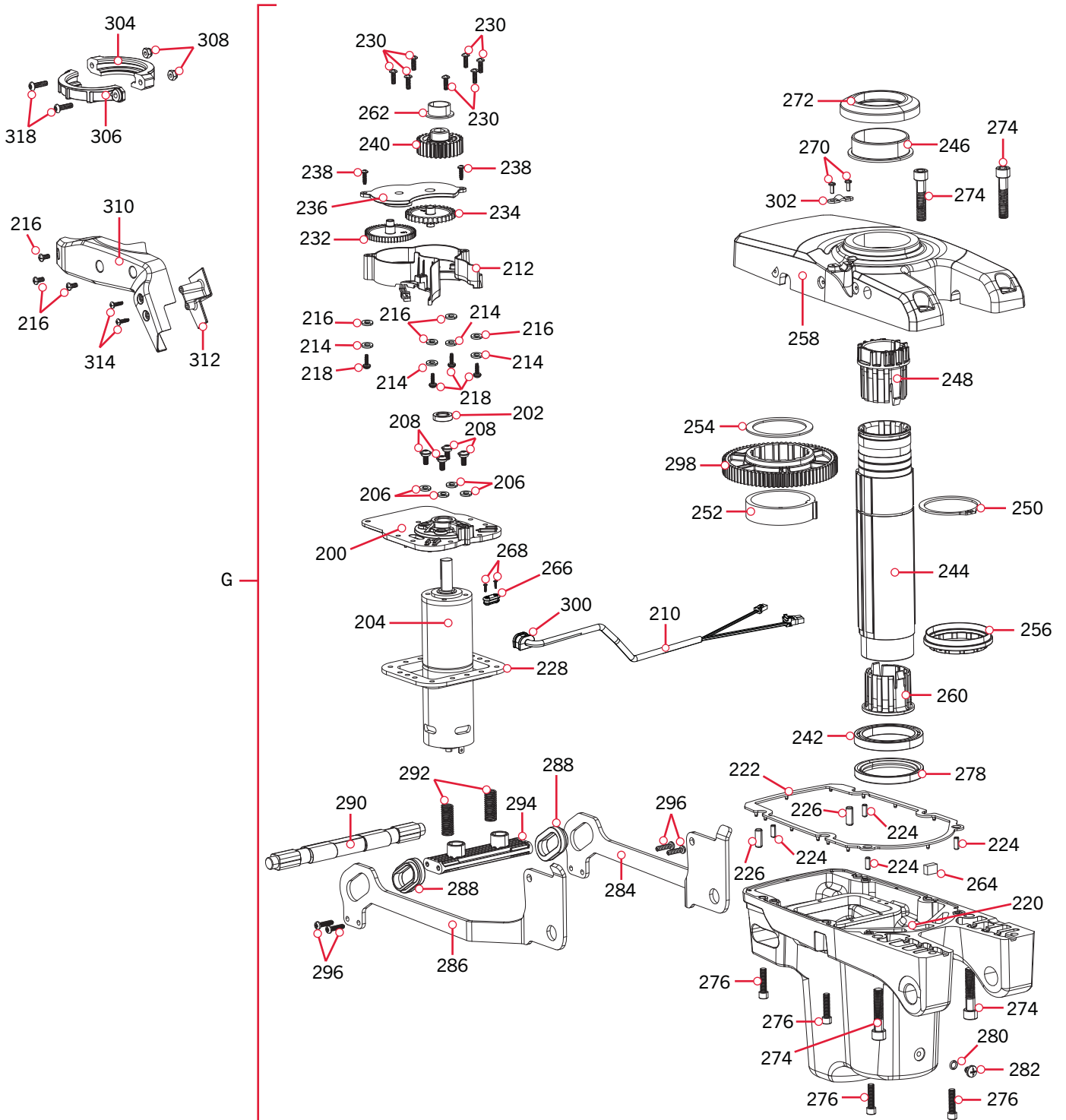
▲ Not shown on Parts Diagram.

✘ This part is included in an assembly and cannot be ordered individually.



ULTRERA QUEST STEERING HOUSING >

> Steering Housing Parts Diagram



PARTS DIAGRAM & PARTS LIST

› Steering Housing Parts List

Assembly	Part #	Description	Notes	Quantity
G	2996530	ASM, STEERING, FW, BLK		1
Item	Part #	Description	Notes	Quantity
200	2206401	PLATE, MOTOR MNT, STEERING		1
202	2204640	SEAL, ID 12MM, OD 20MM, T 5MM		1
204	2207012	MOTOR, 24 VDC, 1:130 GEARBOX		1
206	2204617	O-RING, 3/16 ID X 3/8 OD		4
208	2203414	SCREW-M5X.8X12, FLANGED BTN HD		4
210	2200602	STEERING CORD ASM		1
212	2204040	SENSOR, STEERING, ROTATIONAL, I/T		1
214	2374628	SEALING WASHER, RUBBER		4
216	2071714	WASHER-FLAT #6 S/S		4
218	2203441	SCREW-#6 X 1/2" THRD FORM, SSTL		4
220	2326575	HSG-BTM, STRING, SW, BLK TERR		1
222	2204621	SEAL, STEERING HOUSING SPLIT		1
224	2202619	PIN-DOWEL, 3/16 X 1/2, SS		4
226	2382682	PIN-DOWEL, 1/4" X 5/8" SS		2
228	2206920	GASKET, MOTOR HOUSING, STEERING		1
230	2332101	SCREW-#8-32 X 1/2 (SS)		7
232	2992225	GEAR-STEER SENSOR, 51T, w/MAGNET		1
234	2202214	GEAR-TRIM, 14T		1
236	2206572	COVER, STEER SENSOR GEARS		1
238	2203441	SCREW-#6 X 1/2" THRD FORM, SSTL		2
▲	9950433	TIE WRAP-4" BLACK(#21041)		1
240	2202212	GEAR, 30 TOOTH, PINION, STEERING		1
242	2207302	BRG, 55 X 72 X 9MM, SSTL		1
244	2202000	OUTPUT TUBE, ANDIZED		1
▲	2204606	O-RING, -139, NOM ID 2.25,		1
246	2207320	BUSHING, 55MM, JFM-5560-50		1
248	2207321	BUSHING, OUTPUT TUBE, TOP, INSTNC		1
250	2293001	RETAINING RING, 2 3/8"		1
252	2207911	HUB, STEERING STOP, ANODIZED		1
254	2201715	WASHER-THRUST, OUTPUT TUBE		1
256	2205910	GREASE CAP BEARING		1
258	2206558	HSG-TOP, STEERING, SW, BLK		1
260	2207345	BUSHING, OUTPUT TUBE, LOWER		1
262	2207340	BUSHING, JFM-2023-11		1
264	2208640	VENT FILTER, STEERING HOUSING		1

▲ Not shown on Parts Diagram.

✳ This part is included in an assembly and cannot be ordered individually.

PARTS DIAGRAM & PARTS LIST



Item	Part #	Description	Quantity
266	2201941	MNT, SENSOR, LATCH QRP	1
268	2373440	SCREW-#4-24 X 1/4 PHCR SS TY B	2
270	2293403	SCREW-#6-32 X .625 PPH SS	1
272	2204642	SEAL, UMBRELLA	1
274	2203450	SCREW-3/8-16 X 1.75 SHCS SSTL	4
276	2323435	SCREW-1/4-20 X 1" SHCS SS	4
278	2294601	SEAL, OUTPUT	1
280	2204618	O-RING, SAE-010, BUNA-N	1
282	2203429	SCREW-1/4-20 X .313 PLASTIC	1
284	2201925	BRACKET, LATCH RELEASE, RIGHT	1
286	2201926	BRACKET, LATCH RELEASE, LEFT	1
288	2207306	BUSHING, LATCH PIN	2
290	2202624	PIN-LATCH, OVERMOLDED	1
292	2202705	SPRING, COMPRESS, 1.25 L, 0.63 CMP	2
294	2207210	HANDLE, LATCH BRACKET	1
296	3393481	SCREW-#10X.75" PPH HI-LO (SUB)	4
298	2202210	GEAR, 78 TOOTH, OUTPUT TUBE	1
300	2202920	GROMMET, QRP SENSER HARNESS	1
302	2207410	HARNESS, QRP SNSR, HALL EFF	1
304	2200845	CLAMP, TRIM-STEER, L, MACH	1
306	2200846	CLAMP, TRIM-STEER, R, MACH	1
308	2333101	NUT-HEX #10-24 UNC-2B NYL SS	2
310	2206412	COVER, CABLE, STEER HOUSING	1
312	2206413	BACKING, CABLE COVER	1
314	2203441	SCREW-#6 X 1/2" THRD FORM, SSTL	2
316	2332100	SCREW-#8-32 X 3/8 MACHINE	3
318	2383469	SCREW-#10-24 X 3/4, SS, BHCS	2

▲ Not shown on Parts Diagram.

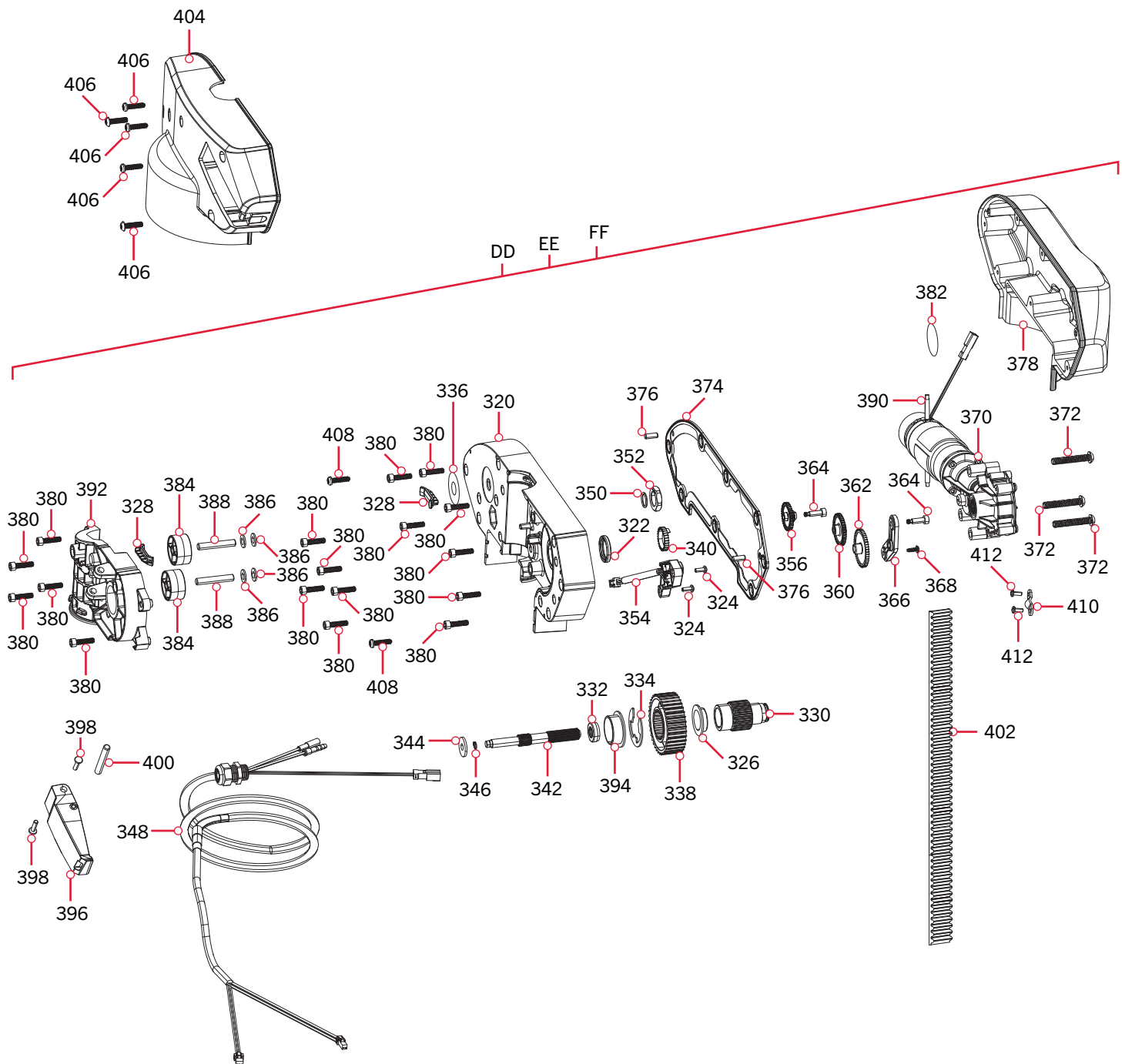
✘ This part is included in an assembly and cannot be ordered individually.



PARTS DIAGRAM & PARTS LIST

ULTRERA QUEST TRIM HOUSING

Trim Housing Parts Diagram



PARTS DIAGRAM & PARTS LIST

Trim Housing Parts List

Assembly	Part #	Description	Notes	Quantity
DD	2997851	ASM, TRIM MOD,FW, BLK,45"	*45**	1
EE	2997850	ASM, TRIM MOD,FW, BLK,60"	*60**	1
FF	2997852	ASM, TRIM MOD,FW, BLK,72"	*72**	1
Item	Part #	Description	Notes	Quantity
320	2206578	HOUSING-MID,TRIM, SW, BLK		1
322	2204632	SEAL,LIP,3/4 ID X 1 OD X 1/8 L		1
324	2073414	SCREW-#6-32 X .375 PPH SS(N/A)		2
326	2207335	BUSHING, FLANGED, 3/4 SHAFT		1
328	2205126	BUMPER, WEAR, TRIM		2
330	2207916	HUB, TRIM PULLEY, ANODIZE		1
332	2204631	SEAL,LIP,5/16 ID X 3/4 ODX1/4L		1
334	2203030	RING, RETAIN, TRIM COUNT		1
336	2201727	WASHER, SLIP, TRIM		1
338	2202355	PULLEY, 38T, 1062-20 GROB IN		1
340	2202235	GEAR, PINION, TRIM COUNT		1
342	2202312	SPLINE SHAFT, PULLEY,TRIM		1
344	2201726	WASHER,ID .281, OD .75, T .075		1
346	2203032	RETAINING RING, 1/4"		1
348	2991263	TRIM CORD ASM		1
350	2204619	O-RING, HEYCO, 12X2MM, BUNA-N		1
352	2203102	NUT, PG 9, STRAIN RELIEF		1
354	2204041	SENSOR, TRIM, ROTATIONAL, I		1
356	2202222	GEAR, 12T/35T		1
360	2202223	GEAR, 13T/40T		1
362	2992224	GEAR-TRIM SENSOR,48T, w/MAGNET		1
364	2203500	BOLT-SHOULDER, #8-32 THD, SSSL		2
366	2206442	CAP, TRIM MAGNET SENSOR GEAR		1
368	2372103	SCREW-#6 X .375 PLASTITE SS		1
370	2997014	MOTOR, TRIM, 42MM, RIGHT ANGLE		1
372	2293417	SCREW-1/4-20 X 1.50" BHCS SS		3
374	2206926	GASKET, INSTINCT, TRIM		1
376	2202619	PIN-DOWEL, 3/16 X 1/2, SS		2
378	2206597	HSG-MTR CVR, TRIM,SW, BLK		1
380	2203423	SCREW-#10-24 x .75, SHCS, SS		17
382	2205130	VENT PATCH, YLW/BLK		1
384	2202352	PULLEY-IDLER, TRIM,REAMED		2
386	2201736	WASHER, PLASTIC,.265 ID, .5 OD		4

▲ Not shown on Parts Diagram.

* This part is included in an assembly and cannot be ordered individually.

PARTS DIAGRAM & PARTS LIST



Item	Part #	Description	Notes	Quantity
388	2202610	PIN, BELT PULLEY		2
390	2204635	SEAL, 1/16 O-RING CORD, SILICONE		1
392	2201521	COLLAR, OUTPUT TUBE, MACH		1
394	2207336	BUSHING, FLANGED, 1.0 SHAFT		1
396	2200115	LEVER, TRIM RELEASE, MACH.		1
398	2202670	PIN, KNURL, HEAD, 4MM X 8MM		2
400	2202639	PIN-DOWEL, 1/4 X 1.75 LG		1
402	2200818	BELT-LIFT 5MM HTD		1
404	2206524	TRIM HOUSING, OD COVER FW		1
406	2383469	SCREW-#10-24 X 3/4, SS, BHCS		5
408	3393481	SCREW-#10X.75" PPH HI-LO (SUB)		2
410	2200850	CLAMP, TRIM CABLE		1
412	2073414	SCREW-#6-32 X .375 PPH SS(N/A)		2

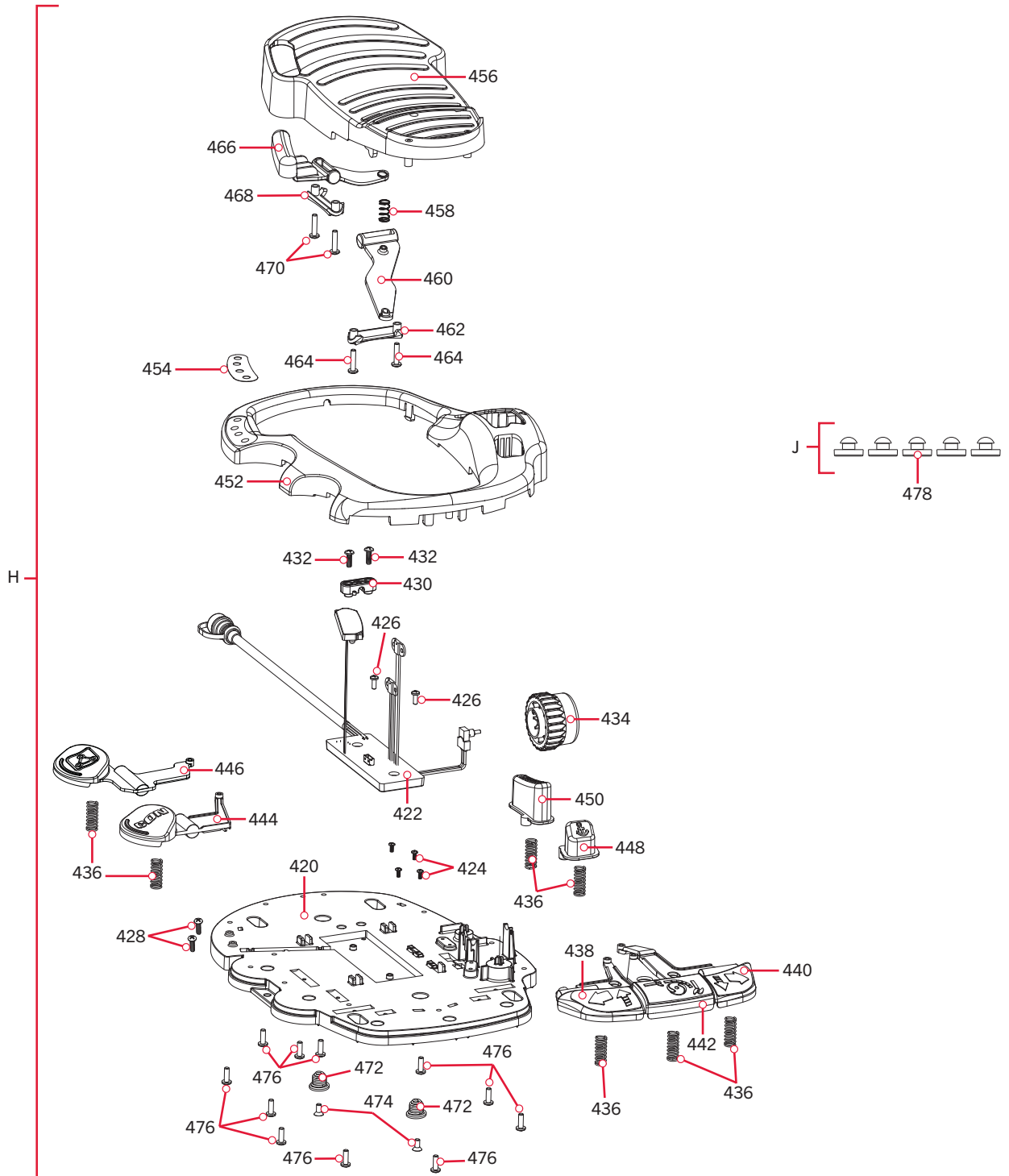
▲ Not shown on Parts Diagram.

✘ This part is included in an assembly and cannot be ordered individually.



ULTERRA QUEST FOOT PEDAL

Foot Pedal Parts Diagram



PARTS DIAGRAM & PARTS LIST

› Foot Pedal Parts List

Assembly	Part #	Description	Quantity
H	2994742	FT PED ASM, ULTERRA QUEST	1
J	2994859	BAG ASY-TERROVA/V2,RUB.BUMPERS	1
Item	Part #	Description	Quantity
420	2204501	BASE PLATE, FOOT PEDAL	1
422	✘	PCB ASM, FT PED,ULTERRA	1
424	2373440	SCREW-#4-24 X 1/4 PHCR SS TY B	4
426	2372103	SCREW-#6-20 X 3/8 THD*(SS)	2
428	2302100	SCREW-#6-20 X 1/2 THD CUTS	2
430	2322900	STRAIN RELIEF, FOOT PEDAL	1
432	2372100	SCREW-#8-18 X 5/8 THD* (SS)	2
434	2320100	KNOB-SPEED, FOOT PEDAL	1
436	2322704	SPRING, LARGE SHORT SS	7
438	2203710	BUTTON,LFT STR w/TRIM UP ARROW	1
440	2203711	BUTTON,RGT STR w/TRIM UP ARROW	1
442	2203715	BUTTON, MOMENTARY/STOW-DEPLOY	1
444	2323715	BUTTON,MOM/CON,FT PEDAL	1
446	2203730	BUTTON, OBN, FOOT PEDAL	1
448	2203720	BUTTON, SPOT LOCK,ULTERRA/TRRV	1
450	2203725	BUTTON, MODE, ULTERRA	1
452	2200201	COVER,HEEL TOE FT PEDAL OBN	1
454	2205607	DECAL, 4 LED INDICATORS, FP	1
456	2324401	PEDAL,HEEL/TOE FOOT PEDAL	1
458	2322714	SPRING (LEE #LC-029E-4-S) SS	1
460	2328600	FLEX FINGER, FOOT PEDAL	1
462	2321300	CLAMP-LEFT, FT PEDAL	1
464	2223430	SCREW-#8x3/4 PPH,TYPE 25,SS	2
466	2323710	BUTTON,MOM LEFT,FT PEDAL	1
468	2321300	CLAMP-LEFT, FT PEDAL	1
470	2223430	SCREW-#8x3/4 PPH,TYPE 25,SS	2
472	2322706	SPRING-BARREL SS	2
474	2323421	SCREW-#8-18 X 1/2" PFH SS TY B	2
476	2301310	SCREW-#8-18 X 1/2 (SS)*	11
478	2325110	PAD, FOOTPEDAL	5

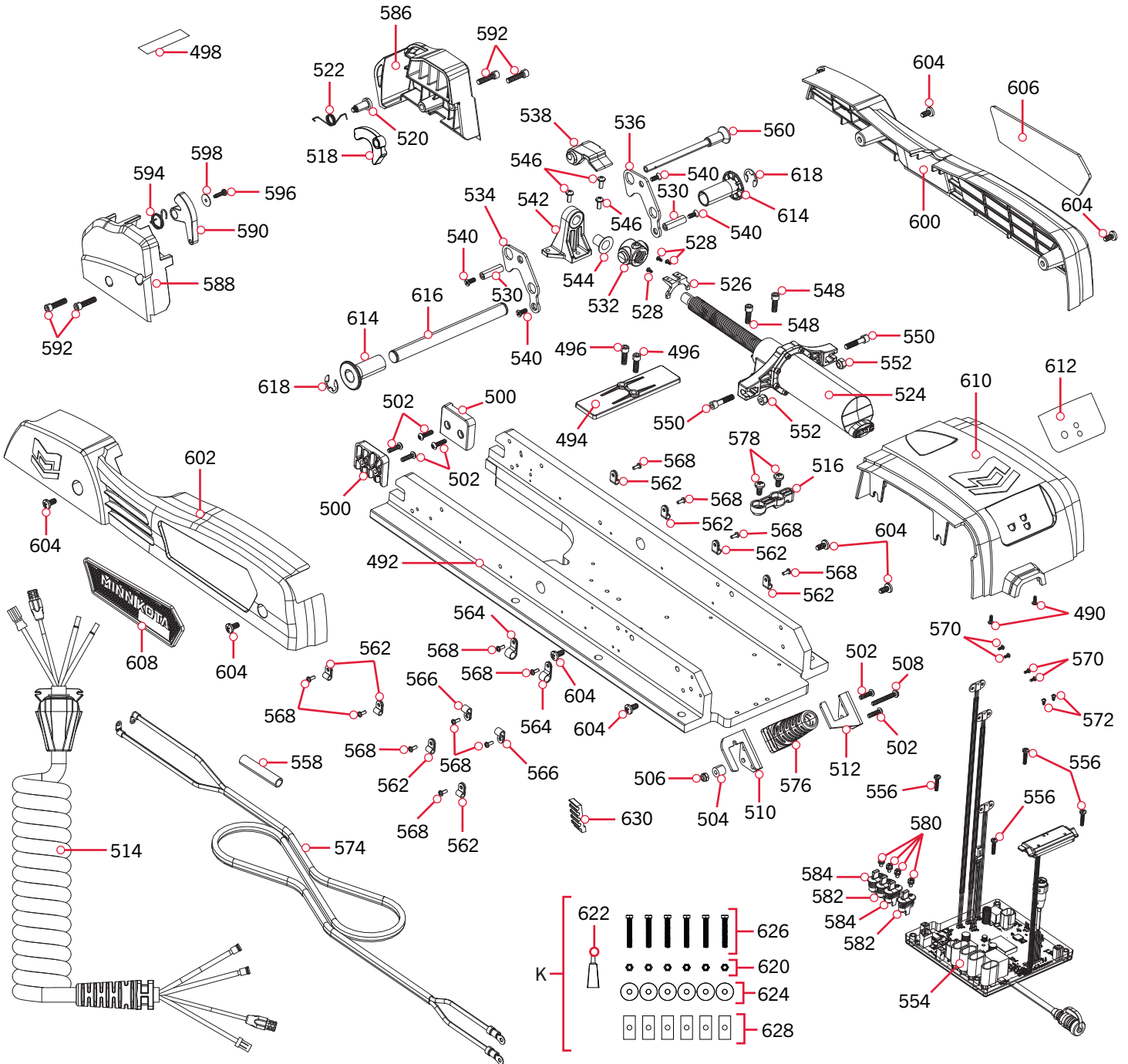
▲ Not shown on Parts Diagram.

✘ This part is included in an assembly and cannot be ordered individually.

PARTS DIAGRAM & PARTS LIST

ULTRERA QUEST MOUNT >

> Mount Parts Diagram



PARTS DIAGRAM & PARTS LIST

Mount Parts List

Assembly	Part #	Description	Notes	Quantity
K	2994948	BAG, ASM, INSTINCT, T3 BL HDW		1
Item	Part #	Description	Notes	Quantity
490	2372103	SCREW-#6 X .375 PLASTITE SS		2
492	2201906	BASE, MACHINED, FW		1
494	2205106	PAD, DEAD STOP, STOW		1
496	2263452	SCREW-1/4-20 X 3/4 SHCS S/S		2
498	2205518	DECAL-INSTRUCTIONS,TRIM BYPASS		1
500	2323211	STOP-DEAD, DEPLOY		2
502	2383469	SCREW-#10-24 X 3/4,SS,BHCS		6
504	2202907	STANDOFF,.5 ODX.19 IDX.44 L,PL		1
506	2333101	NUT-HEX #10-24 UNC-2B NYL SS		1
508	2203426	SCREW-#10-24 x 1.5 SS BHCS		1
510	2200828	CLIP-CORD BACKUP MT PLATE		1
512	2200829	CLIP-CORD MT BRACKET		1
514	2991245	COIL CORD ASM 45" - 60"	*45"* *60"*	1
	2991246	COIL CORD ASM 72"	*72"*	1
516	✘	STRAIN RELIEF, MOUNT INSTINCT		1
518	2997925	CAM, LATCH, SENSOR w/MAGNET		1
520	2203510	BOLT-SHOULDER,POLYMER,CAM SNSR		1
522	2042711	SPRING-TORSION, SS		1
524	2997818	ASM, TILT ACTUATOR, FW BLK		1
526	2202326	SUPPORT, TILT SHAFT MID		1
528	2373440	SCREW-#4-24 X 1/4 PHCR SS TY B		3
530	2202930	SPACER, TILT LINKS		2
532	2993300	KNUCKLE,TILT 3/4-8 w/MAG		1
534	2204220	LINK-TILT, LEFT		1
536	2204225	LINK-TILT, RIGHT		1
538	2207331	BUSHING, E-PIN ECCENTRIC		1
540	2203410	SCREW-#10-32 X .5"		4
542	2202324	SUPPORT,TLT SHFT END,REAM		1
544	2207341	BUSHING, RFI-0810-10		1
546	2373481	SCREW-#10-32 X 1/2"SEMS PPH SS		3
548	2263452	SCREW-1/4-20 X 3/4 SHCS S/S		2
550	2073410	SCREW-1/4-20 X 1.125 SHCS SS		2
552	2203120	NUT-1/4-20 NYLOK, RIE COATED		2
554	2204030	CTRL BOARD ASM, MAIN ULTERRA 2		1
556	2373487	SCREW-#8-32 X 3/4" PPH MACH SS		4

▲ Not shown on Parts Diagram.

✘ This part is included in an assembly and cannot be ordered individually.

PARTS DIAGRAM & PARTS LIST



Item	Part #	Description	Notes	Quantity
558	2205412	SHRINK TUBE .75 ID x 2"		1
560	2202623	PIN,QCK REL. 5/16 x 3 1/2		1
562	2052510	CABLE CLAMP, 3/16", NYLON		8
564	2040721	CLAMP-CABLE 3/8"		2
566	2052511	CABLE CLAMP,1/4" VANTAGE		2
568	2073414	SCREW-#6-32 X .375 PPH SS(N/A)		12
570	2203440	SCREW-#4-40 X 1/4 PPH SS		4
572	2373440	SCREW-#4-24 X 1/4 PHCR SS TY B		2
574	2200625	LEADWIRE ASM,8AWG,ULT 2 (DPLX)		1
576	2202919	STRAIN RELIEF, POWER		1
578	2323405	SCREW-1/4-20 X 1/2" MCH SS		2
580	830-123	SCREW-M4 X .7X8MM HEX DBL SEMS		4
582	2294610	SEAL, PCBA TERMINAL GRAY .215		2
584	2294611	SEAL, PCBA TERMINAL BLACK .270		2
586	2203930	RAMP-MOTOR, RIGHT		1
588	2203935	RAMP-MOTOR, LEFT		1
590	2997907	RAMP/ACTUATOR ASM w/MAGNET		1
592	2263453	SCREW-1/4-20 X 1" SHCS S/S		4
594	2202708	SPRING-TORSION,RGT HND WIND,SS		1
596	2372100	SCREW-#8-18 X 5/8 THD* (SS		1
598	2201723	WASHER-#6, .625 OD, SS		1
600	2203920	SIDEPLATE, RIGHT, BLACK		1
602	2203925	SIDEPLATE, LEFT, BLACK		1
604	2323405	SCREW-1/4-20 X 1/2" MCH SS		8
606	2205550	DECAL, SIDEPLATE RIGHT FW		1
608	2205551	DECAL, SIDEPLATE LEFT FW		1
610	2206515	HOUSING-CONTROL, BLACK		1
612	2205610	DECAL-PWR SWITCH, FW, BLK		1
614	2207311	BUSHING, STEER HOUSING PIVOT		2
616	2202650	SHAFT, SUPPORT, TILT		1
618	2373013	E-RING, EXTERNAL SS .625, HNDL		2
620	2383122	NUT 3/8-16 NYLON INST LOCKNUT		6
622	2378608	ANTI-SEIZE TUBE 4CC, TALON		1
624	2321710	WASHER, RUBBER MOUNT		6
626	2323440	SCREW-3/8-16X 2 1/2 HHCS SS		6
628	2371796	BACKUP BAR 3/16 X 1 X 2		6
630	2206576	RACK, BELT, TAPER, ANODIZED		1

▲ Not shown on Parts Diagram.

✘ This part is included in an assembly and cannot be ordered individually.



RECOMMENDED ACCESSORIES

› ON-BOARD & PORTABLE BATTERY CHARGERS

Stop buying new batteries and start taking care of the ones you've got. Many chargers can actually damage your battery over time – creating shorter run times and shorter overall life. Digitally controlled Minn Kota chargers are designed to provide the fastest charge that protect and extend battery life.



MK212PCL



MK210D



MK110PD

› TALON SHALLOW WATER ANCHOR

Talon is the only shallow water anchor with up to 15' of anchoring depth, multiple anchoring modes, and control from the bow, transom, console, remote or mobile device.



BUILT-IN WORK LIGHT

Lets you tie lines and work from the transom any time of day — or night. Includes both white and blue LED lights with three brightness settings.



BLUETOOTH® CONNECTIVITY

Lets you control Talon from your mobile device and easily update it. Also opens up communication to other control options.



UP TO 15' DEEP

Control more water and catch more fish with the first 15' shallow water anchor.



MORE CONTROL OPTIONS

- Control Panel
- Wireless Remote
- Mobile App
- Wireless Foot Switch
- Humminbird® Connectivity
- Advanced GPS Navigation System Remote



› MINN KOTA ACCESSORIES

We offer a wide variety of trolling motor accessories, including:

- 60-Amp Circuit Breaker
- Mounting Brackets
- Stabilizer Kits
- Boat Deck Reinforcement Kit
- Battery Connectors
- Battery Boxes
- Quick Connect Plugs



minnkota.johnsonoutdoors.com    

Part #2207124

Minn Kota Consumer & Technical Service
Johnson Outdoors Marine Electronics, Inc.
PO Box 8129
Mankato, MN 56001

ECN 44313

121 Power Drive
Mankato, MN 56001
Phone (800) 227-6433
Fax (800) 527-4464



©2023 Johnson Outdoors Marine Electronics, Inc.
All rights reserved.

Rev A

10/23