

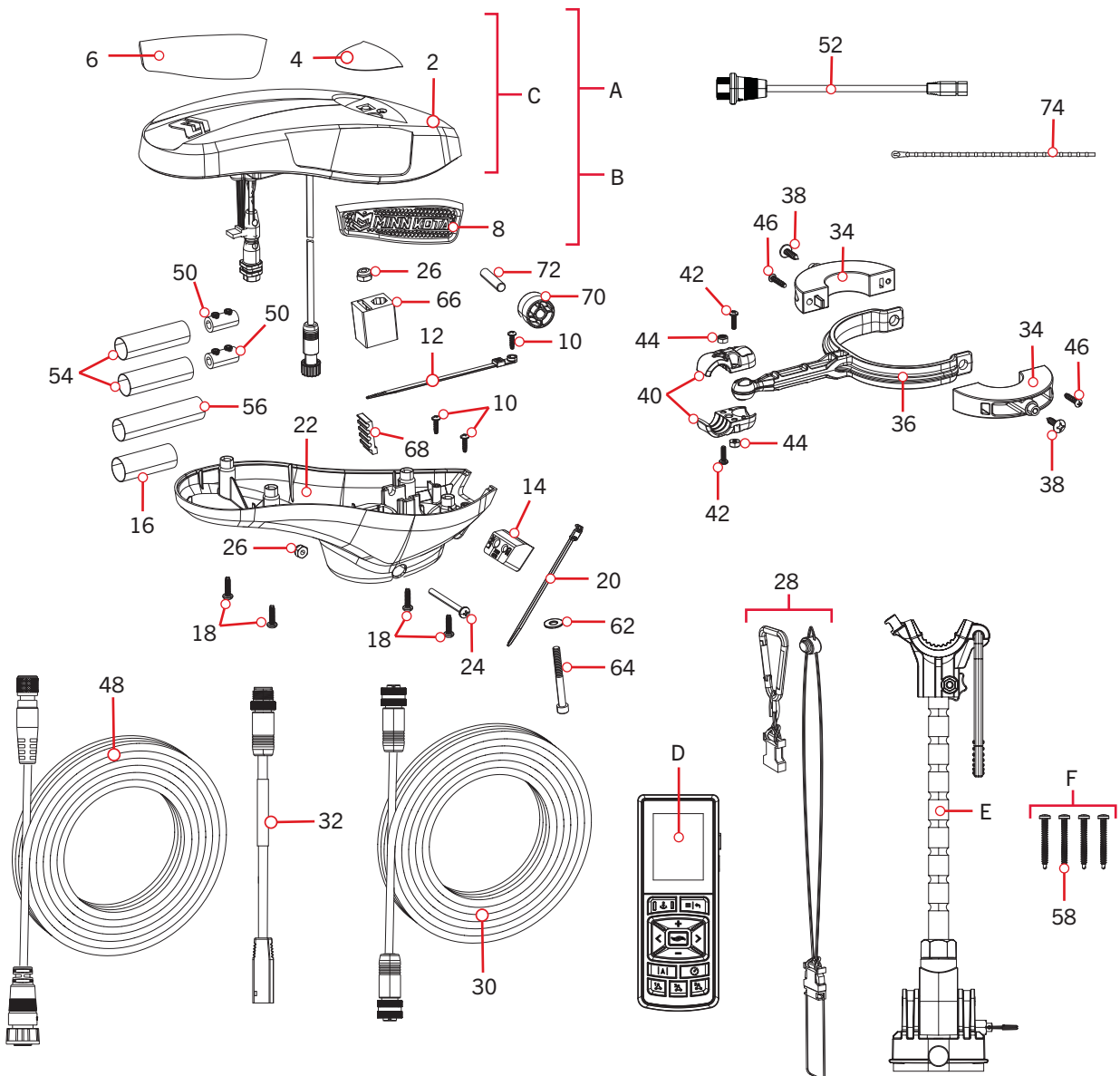
PARTS DIAGRAM & PARTS LIST

ULTERRA QUEST - 90/115 THRUST - 24/36 VOLT - 45"/60"/72" SHAFT

The parts diagram and parts list provide Minn Kota® WEEE compliance disassembly instructions. For more information about where you should dispose of your waste equipment for recycling and recovery and/or your European Union member state requirements, please contact your dealer or distributor from which your product was purchased. Tools required, but not limited to: flat head screwdriver, Phillips screwdriver, socket set, pliers, wire cutters.

ULTERRA QUEST CONTROL HEAD >

> Control Head Parts Diagram



PARTS DIAGRAM & PARTS LIST

Control Head Parts List

Assembly	Part #	Description	Notes	Quantity
A	2774190	CONTROLLER KIT 4.0 QUEST FW	*DUAL SPECTRUM CHIRP*	1
B	2774191	CONTRLLR KT 4.0 QUEST FW w/GND	*MEGA SIDE IMAGING*	1
C	2770247	CTRL BOX COVER QUEST FW		1
D	411690-1	TROLLING MOTOR REMOTE		1
E	2992371	STABILIZER, BWMT ES TM ASM	*72**	1
F	2994955	BAG, ASM MKA-60 STABILIZER	*72**	1
Item	Part #	Description	Notes	Quantity
2	2200220	CONTROL BOX COVER, BLACK		1
4	2395560	DECAL,PUSH BTN,ULT FX,BLK		1
6	2205540	DECAL, CTRL BOX MK RIGHT FW		1
8	2205545	DECAL, CTRL BOX MK LEFT FW		1
10	2203441	SCREW-#6 X 1/2" THRD FORM,SSTL		3
12	2206302	TIE WRAP,SCREW MOUNT 6.3"		1
14	2206711	PLUG, RUBBER, 2D	*DUAL SPECTRUM CHIRP*	1
	2206710	PLUG, RUBBER, DI/SI	*MEGA SIDE IMAGING*	1
16	2205412	SHRINK TUBE-.75 ID X 2"		1
18	2372100	SCREW-#8-18 X 5/8 THD* (SS)		4
20	2206301	TIE WRAP, LOW PROFILE 8"		1
22	2202520	CONTROL BOX BASE, ULT/UTX FW		1
24	2263406	SCREW-#10-24 X 2" S/S PPH		1
26	2333101	NUT-HEX #10-24 UNC-2B NYL SS		1
28	2390802	LANYARD w/CARABINER IP RMT U2		1
30	490637-4	CABLE, ETH, M12-M12, BRAID,30'		1
32	490380-1	CABLE, ETHERNET PIGTAIL-700 HD		1
34	2201530	COLLAR HALF, COIL CORD	*72**	2
36	2201531	COLLAR ARM, COIL CORD	*72**	1
38	2203424	SCREW-#10-12 x.75 PTH SS	*72**	2
40	2200860	CLAMP-BALL,COIL CORD SLDR	*72**	2
42	830-065	SCREW-#6-32 X 1/2" TORX PH SS	*72**	2
44	2323110	NUT-HEX, 6-32 NYLOK SS	*72**	2
46	2203460	SCREW-#8 X 0.75 PPH HI-LO SS	*72**	2
48	490636-3	CABLE, ADPTR, 14P, BRAID, 110"	*DUAL SPECTRUM CHIRP*	1
	490634-1	CABLE, INT MSI- INSTINCT	*MEGA SIDE IMAGING*	1
50	2375444	SPLICER, 6-10 AWG, TIN PLTD		2
52	2994961	BAG ASM, CABLE,ADPTR, 490537-2	*490537-2* *MKR-MI-1* *DUAL SPECTRUM CHIRP* *MEGA SIDE IMAGING*	1
54	2205413	SHRINK TUBE-3/4 X 2.25"		2
56	2205415	SHRINK TUBE-.472 ID X 5"		1
58	2383475	SCREW - #8-18 X 1 1/2 SELF DR SS	*72**	4

▲ Not shown on Parts Diagram.

* This part is included in an assembly and cannot be ordered individually.

PARTS DIAGRAM & PARTS LIST



Item	Part #	Description	Notes	Quantity
62	2201721	WASHER - #10 SAE.), SS		1
64	2203441	SCREW-#6 X 1/2 " THRD FORM, SSTL		1
66	2202800	BLOCK-BELT		1
68	2200800	BELT-RACK, LOWER		1
70	2202335	PULLEY, BELY TOP		1
72	2202635	PIN-DOWEL, 1/4" OD SS		1
74	2206304	TIE WRAP, REUSABLE RED, 6"		1
▲	2207124	MANUAL, ULTERRA		1
▲	2207125	MANUAL, INSTL GD, ULTERRA		1
▲	2297165	MANUAL-DISCLAIMER,DWNLOAD INFO		1
▲	2294950	INSTRUCTIONS,OBV & REMOTE PAIR		1
▲	2397115	GUIDE-QUICK REFERENCE iP 4.0		1
▲	2397110	MANUAL, iPILOT 4.0		1
▲	2207130	BRUSHLESS QS SETUP GUIDE		1
▲	2207126	QK REF GUIDE,ULT Q/INST Q		1
▲	2395540	DECAL, COMPLIANCE, KIT 1.6, 3.0		1
▲	2377179	INSTR. SHEET, MKA-60 STABILIZER	*72**	1
▲	2206819	LABEL-CARTON "CAUTION HEAVY"		1

▲ Not shown on Parts Diagram.

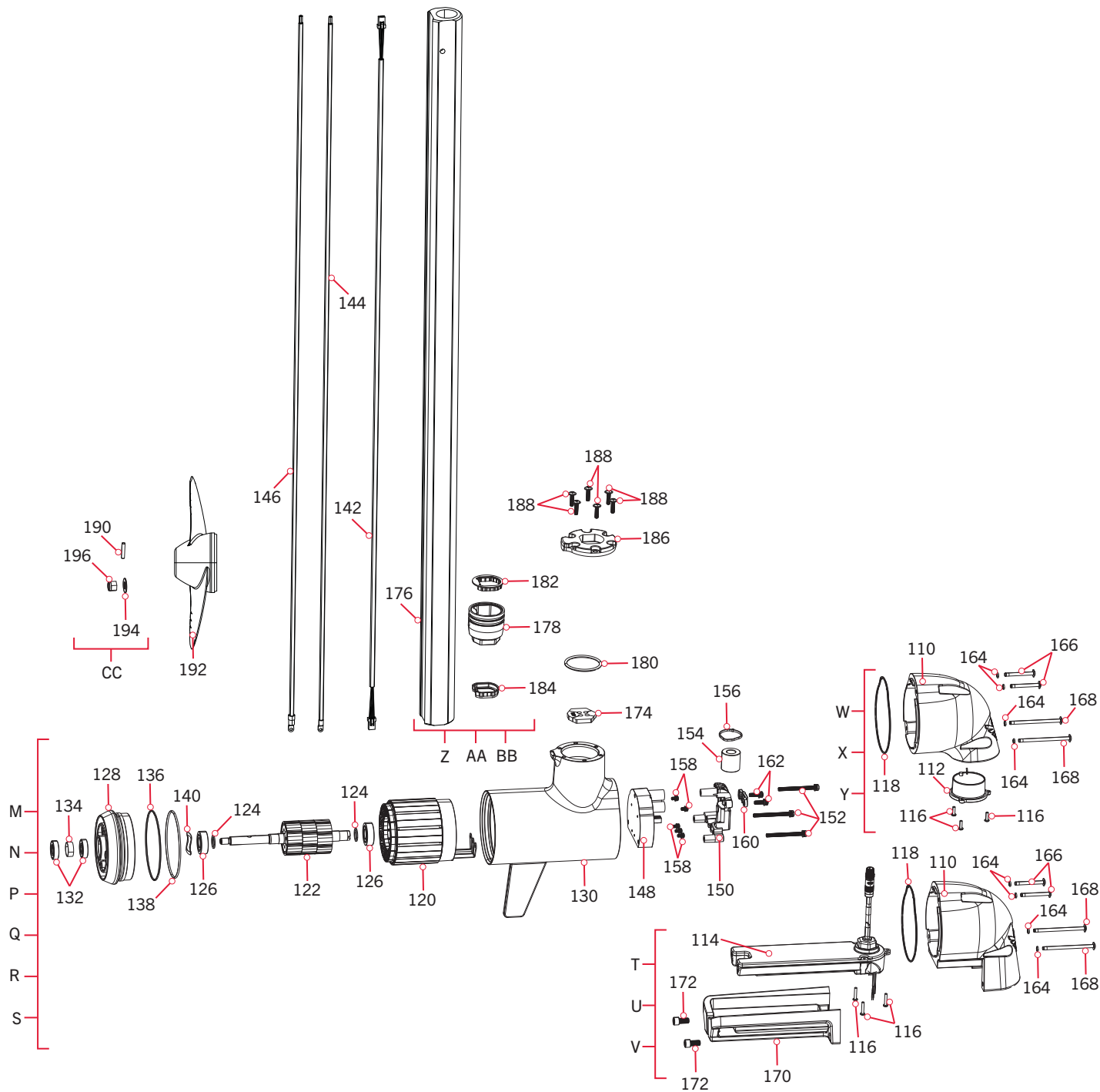
* This part is included in an assembly and cannot be ordered individually.



PARTS DIAGRAM & PARTS LIST

ULTERRA QUEST MOTOR

24/36 Volt 90/115 Thrust Motor Parts Diagram



PARTS DIAGRAM & PARTS LIST

▶ 24/36 Volt 90/115lb Thrust Motor Parts List

Assembly	Part #	Description	Notes	Quantity
M	2441060	MTR ASY 85/115#DSC FW BLK	*45"* *DUAL SPECTRUM CHIRP*	1
N	2441062	MTR ASY 85/115#DSC FW BLK	*60"* *DUAL SPECTRUM CHIRP*	1
P	2441063	MTR ASY 90/115#DSC FW BLK	*72"* *DUAL SPECTRUM CHIRP*	1
Q	2441080	MTR ASY 85/115#MSI FW BLK	*45"* *MEGA SIDE IMAGING*	1
R	2441082	MTR ASY 85/115#MSI FW BLK	*60"* *MEGA SIDE IMAGING*	1
S	2441083	MTR ASY 90/115#MSI FW BLK	*72"* *MEGA SIDE IMAGING*	1
T	2773072	MSI FRONT END 45" QUEST	*45"* *MEGA SIDE IMAGING*	1
U	2773074	MSI FRONT END 60" QUEST	*60"* *MEGA SIDE IMAGING*	1
V	2773075	MSI FRONT END 72" QUEST	*72"* *MEGA SIDE IMAGING*	1
W	2773031	DSC FRONT END 45" QUEST	*45"* *DUAL SPECTRUM CHIRP*	1
X	2773033	DSC FRONT END 60" QUEST	*60"* *DUAL SPECTRUM CHIRP*	1
Y	2773035	DSC FRONT END 72" QUEST	*72"* *DUAL SPECTRUM CHIRP*	1
Z	2991064	BL ASM FW DSC/MSI 45"U2,T3	*SHAFT* *45"*	1
AA	2991065A	BL SHAFT ASM 60" U2,T3 FLX	*SHAFT* *60"*	1
BB	2991066	BL SHAFT ASM 72" ULT, T3	*SHAFT* *72"*	1
CC	2992604	BAG ASSM, PROP HARDWARE		1
Item	Part #	Description	Notes	Quantity
110	✘	FRONT ENDBELL, US3, FW	*DUAL SPECTRUM CHIRP*	1
	✘	FRONT ENDBELL, MSI, FW	*MEGA SIDE IMAGING*	1
112	✘	DSC XDUCER ASSY 62" HW T	*DUAL SPECTRUM CHIRP* *45"*	1
	✘	DSC XDUCER ASSY 73" HW T	*DUAL SPECTRUM CHIRP* *60"*	1
	✘	DSC XDUCER ASSY 86" HW T	*DUAL SPECTRUM CHIRP* *72"*	1
114	✘	BI MSI 67 FOR U2-440494-2	*MEGA SIDE IMAGING* *45"*	1
	✘	BUILT-IN MSI+ 79" FOR U2	*MEGA SIDE IMAGING* *60"*	1
	✘	BI MSI 91 FOR U2-440494-5	*MEGA SIDE IMAGING* *72"*	1
116	✘	SCREW-#6-32 X 1/2" TORX PHSS		3
118	880-032	SEAL-FRONT, BL MOTORS		1
120	✘	STATOR ASSEMBLY		1
122	✘	ROTOR ASSEMBLY		1
124	✘	WASHER BEARING		2
126	✘	BALL BEARING		2
128	✘	REAR ENDBELL, FW PAINT		1
130	✘	CENTER HSG, FW PAINT		1
132	✘	SEAL		2
134	✘	PAPER TUBE - SEAL BORE		1
136	✘	O-RING		1

▲ Not shown on Parts Diagram.

✘ This part is included in an assembly and cannot be ordered individually.

PARTS DIAGRAM & PARTS LIST



Item	Part #	Description	Notes	Quantity
138	✘	O-RING		1
140	✘	WASHER-WAVE		1
142	195-030	CABLE-COM 22GA TWST PAIR 62.38	*45**	1
	195-032	CABLE-COM 22GA TWST PAIR 76.25	*60**	1
	195-033	CABLE-COM 22 GA TWST PAIRS	*72**	1
144	640-470	LEADWIRE RED 8 AWG 64.88"	*45**	1
	640-472	LEADWIRE RED 8 AWG 78.75"	*60**	1
	640-483	LEADWIRE RED 6 AWG 90.13"	*72**	1
146	640-420	LEADWIRE BLK 8 AWG 64.88	*45**	1
	640-422	LEADWIRE BLK 8 AWG 78.75"	*60**	1
	640-433	LEADWIRE BLK 6 AWG 90.13"	*72**	1
148	2994130A	INVERTER ASM, 24/36V, BL	*DUAL SPECTRUM CHIRP*	1
	2994130	INVERTER ASM, 24/36V, BL	*MEGA SIDE IMAGING*	1
150	979-029	STRAIN RELIEF, BTM MACH		1
152	830-118	SCREW-DBL SEM M5X.8MMX60MM		3
154	2307318	FERRITE BEAD, BL		1
156	9953310	TIE WRAP-8.5"		1
158	830-120	SCREW-M4X .7X8 PPH ZPS		5
160	979-022	STRAIN RELIEF, TOP CAST		1
162	830-121	SCREW-M5 X .8X18 PPH ZPS		2
164	701-010	O-RING, SCREW		4
166	830-105	SCREW-FRONT, TOP, RAW, BL MTR		2
168	830-106	SCREW-FRONT, BTM RAW, BL MTR		2
170	792-030	GUARD-SONAR, MSI, FW PAINT	*MEGA SIDE IMAGING*	1
172	830-110	SCREW-5-16-18 X 5/8 SHCS SS	*MEGA SIDE IMAGING*	2
174	880-041	SEAL-WIRE, BL MTR, UNIV. CHIRP	*DUAL SPECTRUM CHIRP*	1
	880-040	SEAL-WIRE, BL MTR, MSI/MDI	*MEGA SIDE IMAGING*	1
176	✘	TUBE-1CM, BLK 45", 1.5 X .875	*45**	1
	✘	TUBE-1CM, BLK 60", 1.5 X .875	*60**	1
	✘	TUBE-3CM, BLK 72", 1.5X.875 CBOR	*72**	1
178	✘	PLUG, COMP SHAFT, PAINTED		1
180	2294630	O-RING, 226, 70 SHORE A		1
182	✘	SEAL-TOP SHAFT, BL, CLR		1
184	✘	SEAL-LWR SHAFT, BL, CLR		1
186	2296432A	PLATE, CLAMP, PAINTED		1
188	830-013	SCREW-M5 X .8 FSHCS SS CTD		6
190	2262659	PIN-DRIVE 1" X 3/16" SS 17-4		1
192	2321170	PROP, POWER REAMED		1
194	2091701	WASHER-PROP (LARGE) MAX101		1
196	2093101	NUT-PROP, NYLOC, LG, MX101 3/8 SS		1

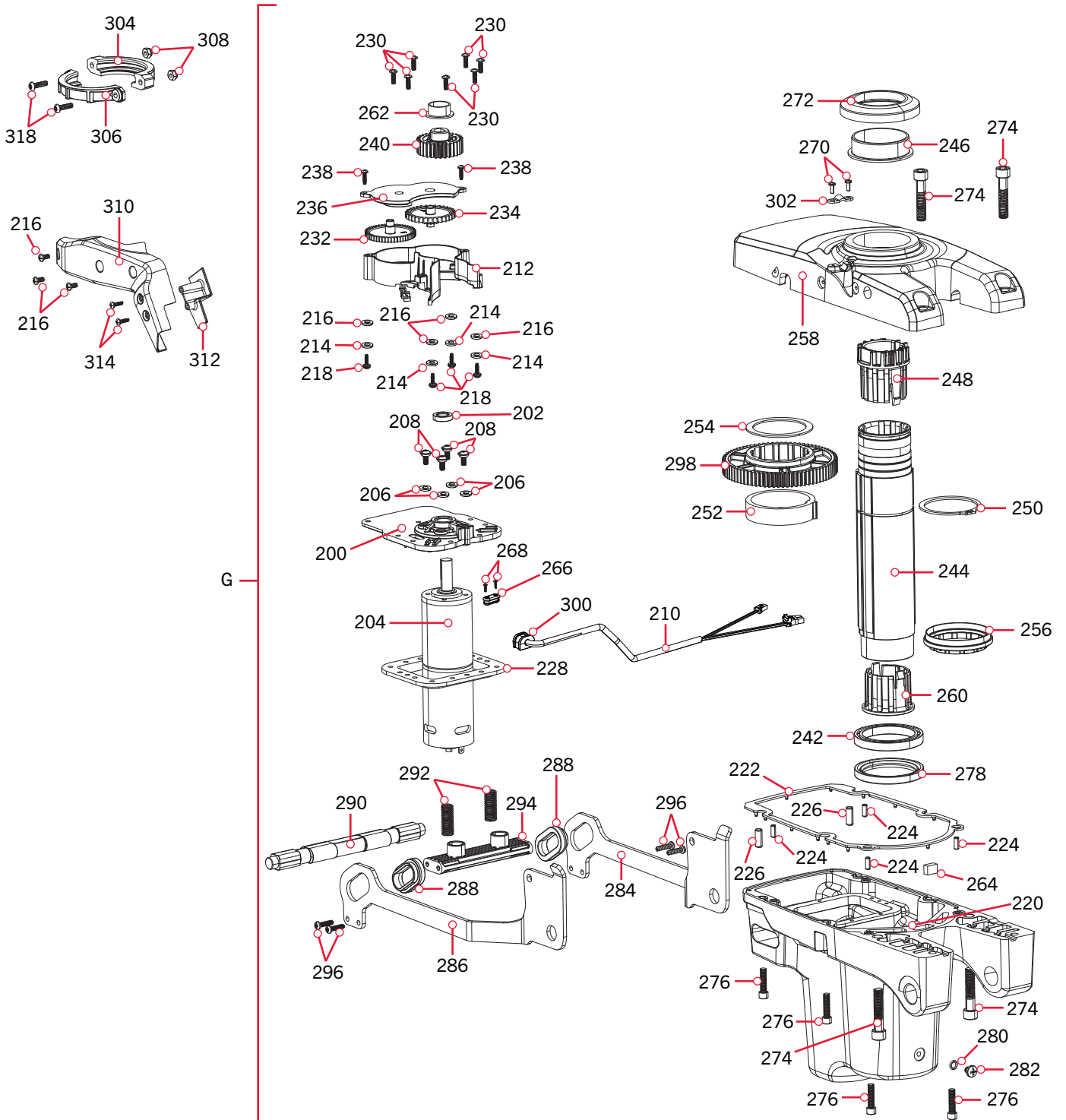
▲ Not shown on Parts Diagram.

✘ This part is included in an assembly and cannot be ordered individually.



ULTRERA QUEST STEERING HOUSING >

> Steering Housing Parts Diagram



PARTS DIAGRAM & PARTS LIST

Steering Housing Parts List

Assembly	Part #	Description	Notes	Quantity
G	2996530	ASM, STEERING, FW, BLK		1
Item	Part #	Description	Notes	Quantity
200	2206401	PLATE, MOTOR MNT, STEERING		1
202	2204640	SEAL,ID 12MM, OD 20MM, T 5MM		1
204	2207012	MOTOR, 24 VDC, 1:130 GEARBOX		1
206	2204617	O-RING, 3/16 ID X 3/8 OD		4
208	2203414	SCREW-M5X.8X12,FLANGED BTN HD		4
210	2200602	STEERING CORD ASM		1
212	2204040	SENSOR,STEERING,ROTATIONAL,I/T		1
214	2374628	SEALING WASHER, RUBBER		4
216	2071714	WASHER-FLAT #6 S/S		4
218	2203441	SCREW-#6 X 1/2" THRD FORM,SSTL		4
220	2326575	HSG-BTM, STRING,SW,BLK TERR		1
222	2204621	SEAL, STEERING HOUSING SPLIT		1
224	2202619	PIN-DOWEL, 3/16 X 1/2, SS		4
226	2382682	PIN-DOWEL, 1/4" X 5/8" SS		2
228	2206920	GASKET, MOTOR HOUSING,STEERING		1
230	2332101	SCREW-#8-32 X 1/2 (SS)		7
232	2992225	GEAR-STEER SENSOR,51T,w/MAGNET		1
234	2202214	GEAR-TRIM, 14T		1
236	2206572	COVER, STEER SENSOR GEARS		1
238	2203441	SCREW-#6 X 1/2" THRD FORM,SSTL		2
▲	9950433	TIE WRAP-4" BLACK(#21041)		1
240	2202212	GEAR, 30 TOOTH,PINION,STEERING		1
242	2207302	BRG, 55 X 72 X 9MM, SSTL		1
244	2202000	OUTPUT TUBE, ANDIZED		1
▲	2204606	O-RING,-139,NOM ID 2.25,		1
246	2207320	BUSHING, 55MM, JFM-5560-50		1
248	2207321	BUSHING,OUTPUT TUBE, TOP,INSTNC		1
250	2293001	RETAINING RING, 2 3/8"		1
252	2207911	HUB, STEERING STOP, ANODIZED		1
254	2201715	WASHER-THRUST, OUTPUT TUBE		1
256	2205910	GREASE CAP BEARING		1
258	2206558	HSG-TOP, STEERING,SW, BLK		1
260	2207345	BUSHING, OUTPUT TUBE, LOWER		1
262	2207340	BUSHING, JFM-2023-11		1
264	2208640	VENT FILTER, STEERING HOUSING		1

▲ Not shown on Parts Diagram.

✳ This part is included in an assembly and cannot be ordered individually.

PARTS DIAGRAM & PARTS LIST



Item	Part #	Description	Quantity
266	2201941	MNT, SENSOR, LATCH QRP	1
268	2373440	SCREW-#4-24 X 1/4 PHCR SS TY B	2
270	2293403	SCREW-#6-32 X .625 PPH SS	1
272	2204642	SEAL, UMBRELLA	1
274	2203450	SCREW-3/8-16 X 1.75 SHCS SSTL	4
276	2323435	SCREW-1/4-20 X 1" SHCS SS	4
278	2294601	SEAL, OUTPUT	1
280	2204618	O-RING, SAE-010, BUNA-N	1
282	2203429	SCREW-1/4-20 X .313 PLASTIC	1
284	2201925	BRACKET, LATCH RELEASE, RIGHT	1
286	2201926	BRACKET, LATCH RELEASE, LEFT	1
288	2207306	BUSHING, LATCH PIN	2
290	2202624	PIN-LATCH, OVERMOLDED	1
292	2202705	SPRING, COMPRESS, 1.25 L, 0.63 CMP	2
294	2207210	HANDLE, LATCH BRACKET	1
296	3393481	SCREW-#10X.75" PPH HI-LO (SUB)	4
298	2202210	GEAR, 78 TOOTH, OUTPUT TUBE	1
300	2202920	GROMMET, QRP SENSER HARNESS	1
302	2207410	HARNESS, QRP SNSR, HALL EFF	1
304	2200845	CLAMP, TRIM-STEER, L, MACH	1
306	2200846	CLAMP, TRIM-STEER, R, MACH	1
308	2333101	NUT-HEX #10-24 UNC-2B NYL SS	2
310	2206412	COVER, CABLE, STEER HOUSING	1
312	2206413	BACKING, CABLE COVER	1
314	2203441	SCREW-#6 X 1/2" THRD FORM, SSTL	2
316	2332100	SCREW-#8-32 X 3/8 MACHINE	3
318	2383469	SCREW-#10-24 X 3/4, SS, BHCS	2

▲ Not shown on Parts Diagram.

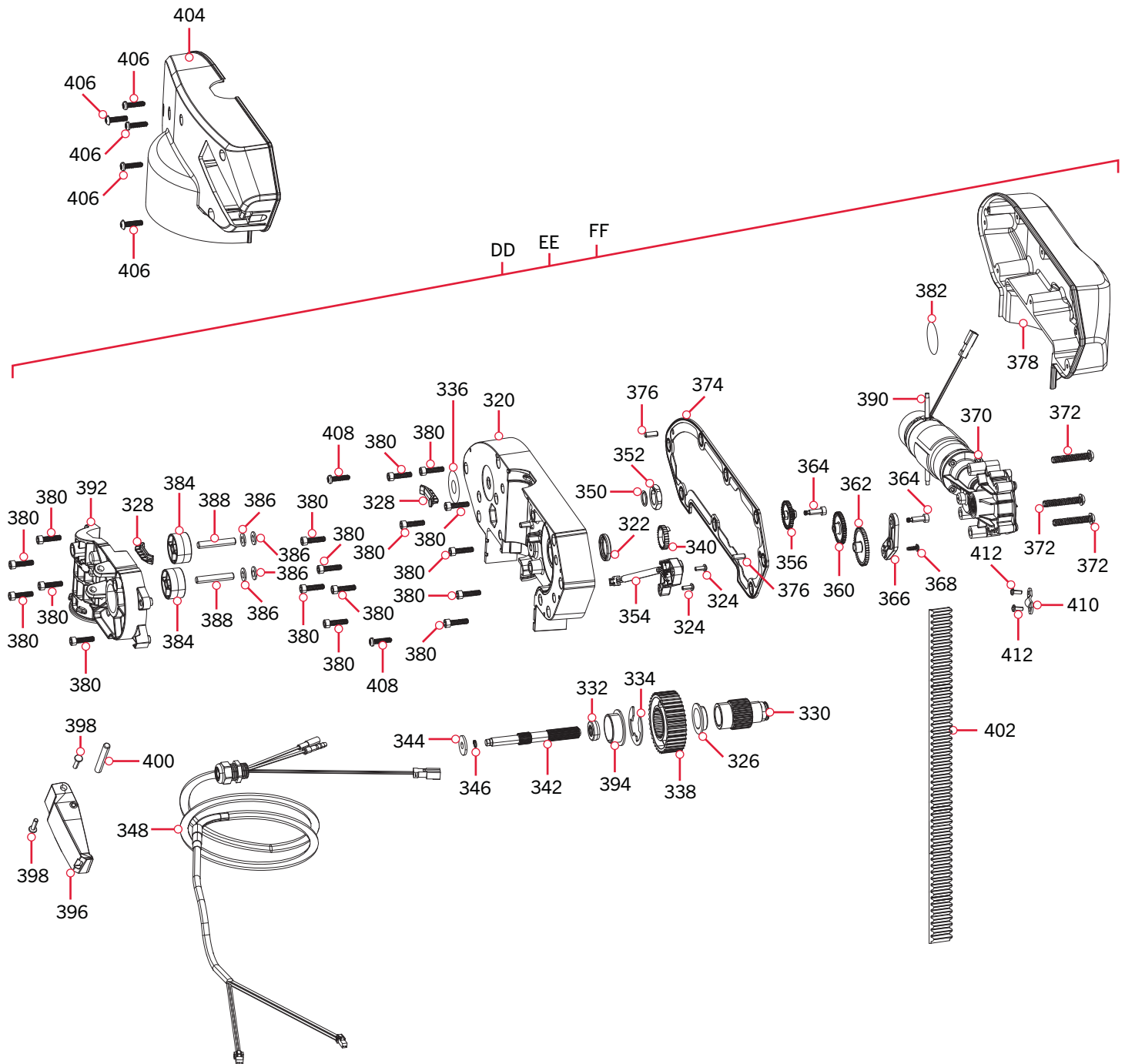
✘ This part is included in an assembly and cannot be ordered individually.



PARTS DIAGRAM & PARTS LIST

ULTRERA QUEST TRIM HOUSING

Trim Housing Parts Diagram



PARTS DIAGRAM & PARTS LIST

Trim Housing Parts List

Assembly	Part #	Description	Notes	Quantity
DD	2997851	ASM, TRIM MOD,FW, BLK,45"	*45**	1
EE	2997850	ASM, TRIM MOD,FW, BLK,60"	*60**	1
FF	2997852	ASM, TRIM MOD,FW, BLK,72"	*72**	1
Item	Part #	Description	Notes	Quantity
320	2206578	HOUSING-MID,TRIM, SW, BLK		1
322	2204632	SEAL,LIP,3/4 ID X 1 OD X 1/8 L		1
324	2073414	SCREW-#6-32 X .375 PPH SS(N/A)		2
326	2207335	BUSHING, FLANGED, 3/4 SHAFT		1
328	2205126	BUMPER, WEAR, TRIM		2
330	2207916	HUB, TRIM PULLEY, ANODIZE		1
332	2204631	SEAL,LIP,5/16 ID X 3/4 ODX1/4L		1
334	2203030	RING, RETAIN, TRIM COUNT		1
336	2201727	WASHER, SLIP, TRIM		1
338	2202355	PULLEY, 38T, 1062-20 GROB IN		1
340	2202235	GEAR, PINION, TRIM COUNT		1
342	2202312	SPLINE SHAFT, PULLEY,TRIM		1
344	2201726	WASHER,ID .281, OD .75, T .075		1
346	2203032	RETAINING RING, 1/4"		1
348	2991263	TRIM CORD ASM		1
350	2204619	O-RING, HEYCO, 12X2MM, BUNA-N		1
352	2203102	NUT, PG 9, STRAIN RELIEF		1
354	2204041	SENSOR, TRIM, ROTATIONAL, I		1
356	2202222	GEAR, 12T/35T		1
360	2202223	GEAR, 13T/40T		1
362	2992224	GEAR-TRIM SENSOR,48T, w/MAGNET		1
364	2203500	BOLT-SHOULDER, #8-32 THD, SSSL		2
366	2206442	CAP, TRIM MAGNET SENSOR GEAR		1
368	2372103	SCREW-#6 X .375 PLASTITE SS		1
370	2997014	MOTOR, TRIM, 42MM, RIGHT ANGLE		1
372	2293417	SCREW-1/4-20 X 1.50" BHCS SS		3
374	2206926	GASKET, INSTINCT, TRIM		1
376	2202619	PIN-DOWEL, 3/16 X 1/2, SS		2
378	2206597	HSG-MTR CVR, TRIM,SW, BLK		1
380	2203423	SCREW-#10-24 x .75, SHCS, SS		17
382	2205130	VENT PATCH, YLW/BLK		1
384	2202352	PULLEY-IDLER, TRIM,REAMED		2
386	2201736	WASHER, PLASTIC,.265 ID, .5 OD		4

▲ Not shown on Parts Diagram.

* This part is included in an assembly and cannot be ordered individually.

PARTS DIAGRAM & PARTS LIST



Item	Part #	Description	Notes	Quantity
388	2202610	PIN, BELT PULLEY		2
390	2204635	SEAL, 1/16 O-RING CORD, SILICONE		1
392	2201521	COLLAR, OUTPUT TUBE, MACH		1
394	2207336	BUSHING, FLANGED, 1.0 SHAFT		1
396	2200115	LEVER, TRIM RELEASE, MACH.		1
398	2202670	PIN, KNURL, HEAD, 4MM X 8MM		2
400	2202639	PIN-DOWEL, 1/4 X 1.75 LG		1
402	2200818	BELT-LIFT 5MM HTD		1
404	2206524	TRIM HOUSING, OD COVER FW		1
406	2383469	SCREW-#10-24 X 3/4, SS, BHCS		5
408	3393481	SCREW-#10X.75" PPH HI-LO (SUB)		2
410	2200850	CLAMP, TRIM CABLE		1
412	2073414	SCREW-#6-32 X .375 PPH SS(N/A)		2

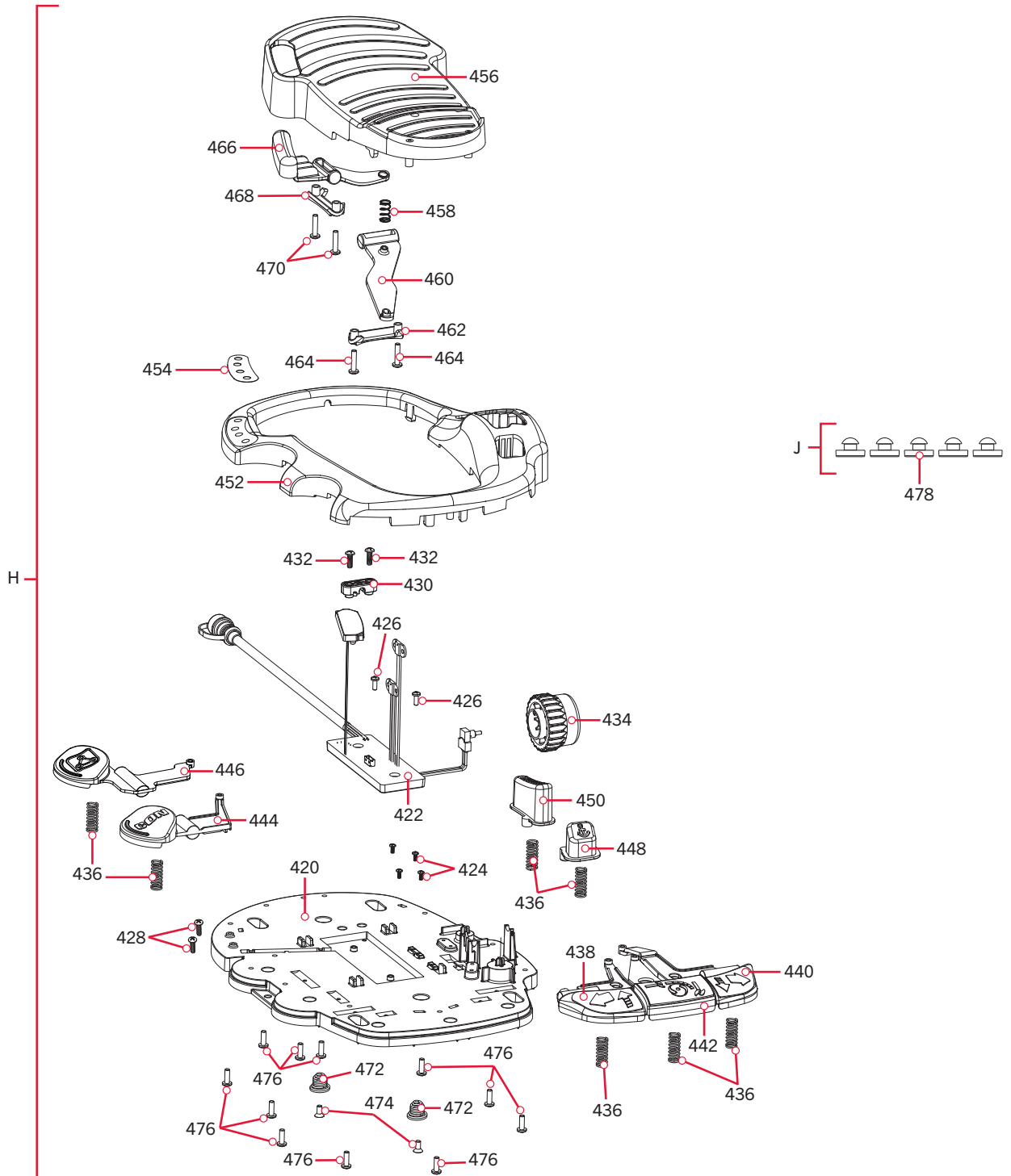
▲ Not shown on Parts Diagram.

✘ This part is included in an assembly and cannot be ordered individually.



ULTRERRA QUEST FOOT PEDAL

Foot Pedal Parts Diagram



PARTS DIAGRAM & PARTS LIST

› Foot Pedal Parts List

Assembly	Part #	Description	Quantity
H	2994742	FT PED ASM, ULTERRA QUEST	1
J	2994859	BAG ASY-TERROVA/V2,RUB.BUMPERS	1
Item	Part #	Description	Quantity
420	2204501	BASE PLATE, FOOT PEDAL	1
422	✘	PCB ASM, FT PED,ULTERRA	1
424	2373440	SCREW-#4-24 X 1/4 PHCR SS TY B	4
426	2372103	SCREW-#6-20 X 3/8 THD*(SS)	2
428	2302100	SCREW-#6-20 X 1/2 THD CUTS	2
430	2322900	STRAIN RELIEF, FOOT PEDAL	1
432	2372100	SCREW-#8-18 X 5/8 THD* (SS)	2
434	2320100	KNOB-SPEED, FOOT PEDAL	1
436	2322704	SPRING, LARGE SHORT SS	7
438	2203710	BUTTON,LFT STR w/TRIM UP ARROW	1
440	2203711	BUTTON,RGT STR w/TRIM UP ARROW	1
442	2203715	BUTTON, MOMENTARY/STOW-DEPLOY	1
444	2323715	BUTTON,MOM/CON,FT PEDAL	1
446	2203730	BUTTON, OBN, FOOT PEDAL	1
448	2203720	BUTTON, SPOT LOCK,ULTERRA/TRRV	1
450	2203725	BUTTON, MODE, ULTERRA	1
452	2200201	COVER,HEEL TOE FT PEDAL OBN	1
454	2205607	DECAL, 4 LED INDICATORS, FP	1
456	2324401	PEDAL,HEEL/TOE FOOT PEDAL	1
458	2322714	SPRING (LEE #LC-029E-4-S) SS	1
460	2328600	FLEX FINGER, FOOT PEDAL	1
462	2321300	CLAMP-LEFT, FT PEDAL	1
464	2223430	SCREW-#8x3/4 PPH,TYPE 25,SS	2
466	2323710	BUTTON,MOM LEFT,FT PEDAL	1
468	2321300	CLAMP-LEFT, FT PEDAL	1
470	2223430	SCREW-#8x3/4 PPH,TYPE 25,SS	2
472	2322706	SPRING-BARREL SS	2
474	2323421	SCREW-#8-18 X 1/2" PFH SS TY B	2
476	2301310	SCREW-#8-18 X 1/2 (SS)*	11
478	2325110	PAD, FOOTPEDAL	5

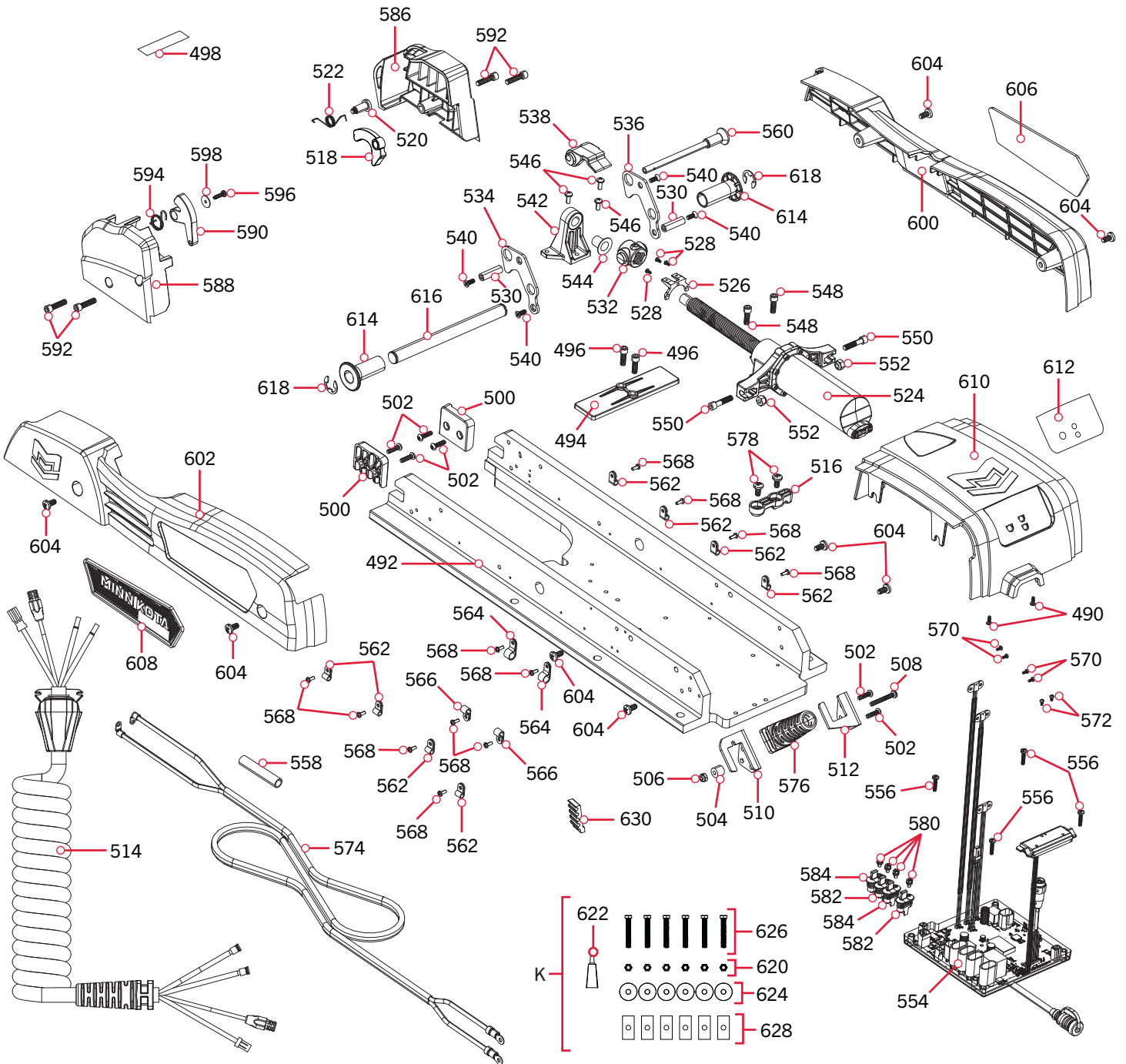
▲ Not shown on Parts Diagram.

✘ This part is included in an assembly and cannot be ordered individually.

PARTS DIAGRAM & PARTS LIST

ULTRERA QUEST MOUNT

Mount Parts Diagram



PARTS DIAGRAM & PARTS LIST

Mount Parts List

Assembly	Part #	Description	Notes	Quantity
K	2994948	BAG, ASM, INSTINCT, T3 BL HDW		1
Item	Part #	Description	Notes	Quantity
490	2372103	SCREW-#6 X .375 PLASTITE SS		2
492	2201906	BASE, MACHINED, FW		1
494	2205106	PAD, DEAD STOP, STOW		1
496	2263452	SCREW-1/4-20 X 3/4 SHCS S/S		2
498	2205518	DECAL-INSTRUCTIONS,TRIM BYPASS		1
500	2323211	STOP-DEAD, DEPLOY		2
502	2383469	SCREW-#10-24 X 3/4,SS,BHCS		6
504	2202907	STANDOFF,.5 ODX.19 IDX.44 L,PL		1
506	2333101	NUT-HEX #10-24 UNC-2B NYL SS		1
508	2203426	SCREW-#10-24 x 1.5 SS BHCS		1
510	2200828	CLIP-CORD BACKUP MT PLATE		1
512	2200829	CLIP-CORD MT BRACKET		1
514	2991245	COIL CORD ASM 45" - 60"	*45"* *60"*	1
	2991246	COIL CORD ASM 72"	*72"*	1
516	✘	STRAIN RELIEF, MOUNT INSTINCT		1
518	2997925	CAM, LATCH, SENSOR w/MAGNET		1
520	2203510	BOLT-SHOULDER,POLYMER,CAM SNSR		1
522	2042711	SPRING-TORSION, SS		1
524	2997818	ASM, TILT ACTUATOR, FW BLK		1
526	2202326	SUPPORT, TILT SHAFT MID		1
528	2373440	SCREW-#4-24 X 1/4 PHCR SS TY B		3
530	2202930	SPACER, TILT LINKS		2
532	2993300	KNUCKLE,TILT 3/4-8 w/MAG		1
534	2204220	LINK-TILT, LEFT		1
536	2204225	LINK-TILT, RIGHT		1
538	2207331	BUSHING, E-PIN ECCENTRIC		1
540	2203410	SCREW-#10-32 X .5"		4
542	2202324	SUPPORT,TLT SHFT END,REAM		1
544	2207341	BUSHING, RFI-0810-10		1
546	2373481	SCREW-#10-32 X 1/2"SEMS PPH SS		3
548	2263452	SCREW-1/4-20 X 3/4 SHCS S/S		2
550	2073410	SCREW-1/4-20 X 1.125 SHCS SS		2
552	2203120	NUT-1/4-20 NYLOK, RIE COATED		2
554	2204030	CTRL BOARD ASM, MAIN ULTERRA 2		1
556	2373487	SCREW-#8-32 X 3/4" PPH MACH SS		4

▲ Not shown on Parts Diagram.

✘ This part is included in an assembly and cannot be ordered individually.

PARTS DIAGRAM & PARTS LIST



Item	Part #	Description	Notes	Quantity
558	2205412	SHRINK TUBE .75 ID x 2"		1
560	2202623	PIN,QCK REL. 5/16 x 3 1/2		1
562	2052510	CABLE CLAMP, 3/16", NYLON		8
564	2040721	CLAMP-CABLE 3/8"		2
566	2052511	CABLE CLAMP,1/4" VANTAGE		2
568	2073414	SCREW-#6-32 X .375 PPH SS(N/A)		12
570	2203440	SCREW-#4-40 X 1/4 PPH SS		4
572	2373440	SCREW-#4-24 X 1/4 PHCR SS TY B		2
574	2200625	LEADWIRE ASM,8AWG,ULT 2 (DPLX)		1
576	2202919	STRAIN RELIEF, POWER		1
578	2323405	SCREW-1/4-20 X 1/2" MCH SS		2
580	830-123	SCREW-M4 X .7X8MM HEX DBL SEMS		4
582	2294610	SEAL, PCBA TERMINAL GRAY .215		2
584	2294611	SEAL, PCBA TERMINAL BLACK .270		2
586	2203930	RAMP-MOTOR, RIGHT		1
588	2203935	RAMP-MOTOR, LEFT		1
590	2997907	RAMP/ACTUATOR ASM w/MAGNET		1
592	2263453	SCREW-1/4-20 X 1" SHCS S/S		4
594	2202708	SPRING-TORSION,RGT HND WIND,SS		1
596	2372100	SCREW-#8-18 X 5/8 THD* (SS		1
598	2201723	WASHER-#6, .625 OD, SS		1
600	2203920	SIDEPLATE, RIGHT, BLACK		1
602	2203925	SIDEPLATE, LEFT, BLACK		1
604	2323405	SCREW-1/4-20 X 1/2" MCH SS		8
606	2205550	DECAL, SIDEPLATE RIGHT FW		1
608	2205551	DECAL, SIDEPLATE LEFT FW		1
610	2206515	HOUSING-CONTROL, BLACK		1
612	2205610	DECAL-PWR SWITCH, FW, BLK		1
614	2207311	BUSHING, STEER HOUSING PIVOT		2
616	2202650	SHAFT, SUPPORT, TILT		1
618	2373013	E-RING, EXTERNAL SS .625, HNDL		2
620	2383122	NUT 3/8-16 NYLON INST LOCKNUT		6
622	2378608	ANTI-SEIZE TUBE 4CC, TALON		1
624	2321710	WASHER, RUBBER MOUNT		6
626	2323440	SCREW-3/8-16X 2 1/2 HHCS SS		6
628	2371796	BACKUP BAR 3/16 X 1 X 2		6
630	2206576	RACK, BELT, TAPER, ANODIZED		1

▲ Not shown on Parts Diagram.

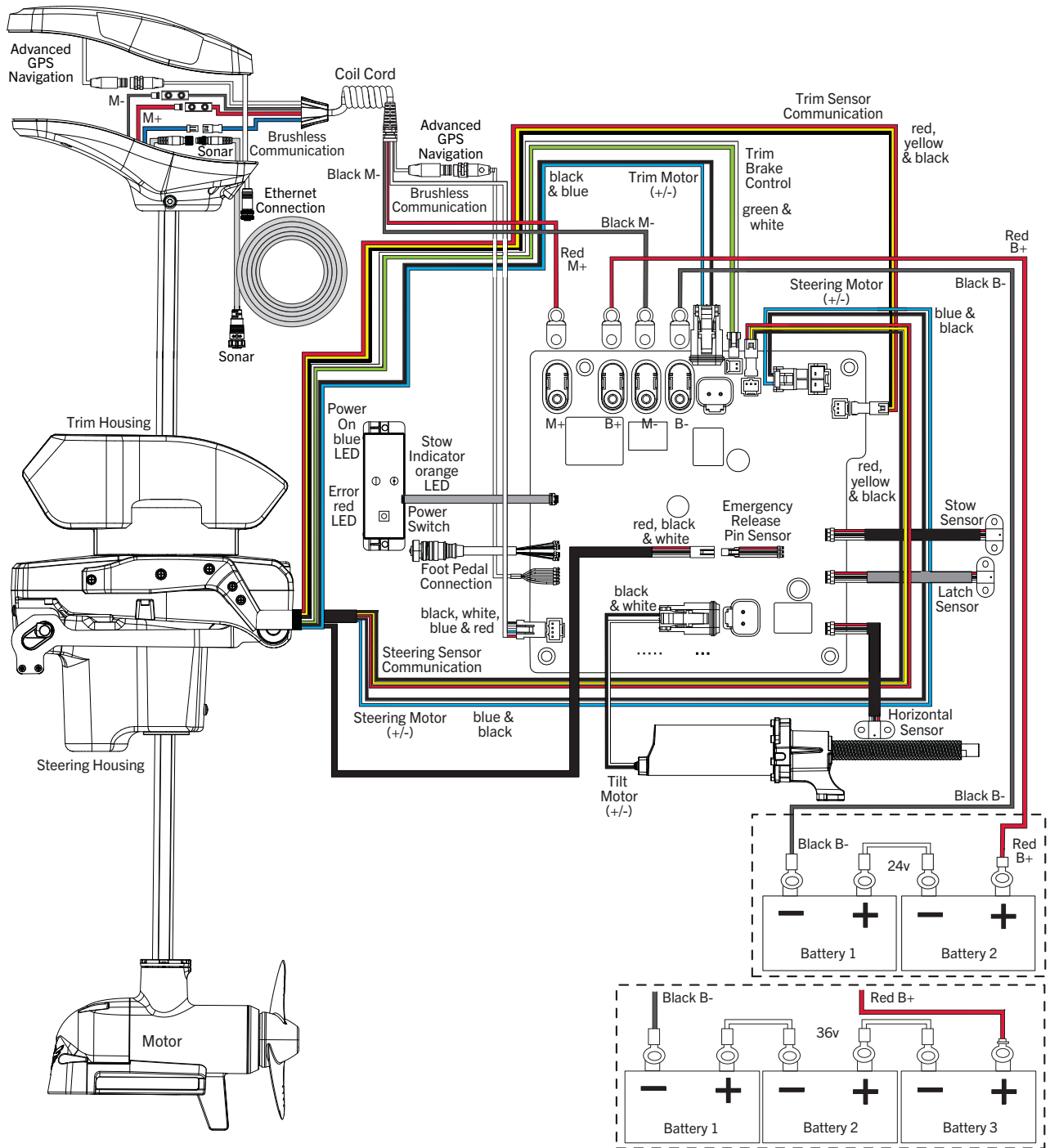
✘ This part is included in an assembly and cannot be ordered individually.



MOTOR WIRING DIAGRAM

ULTRERA QUEST

The following Motor Wiring Diagram applies to all Ultrera QUEST models. Sonar is either Dual Spectrum CHIRP or Built-in MEGA Side Imaging.



NOTICE: This is a multi-voltage diagram. Double-check your motor's voltage for proper connections. Over-Current Protection Devices are not shown in this illustration.