

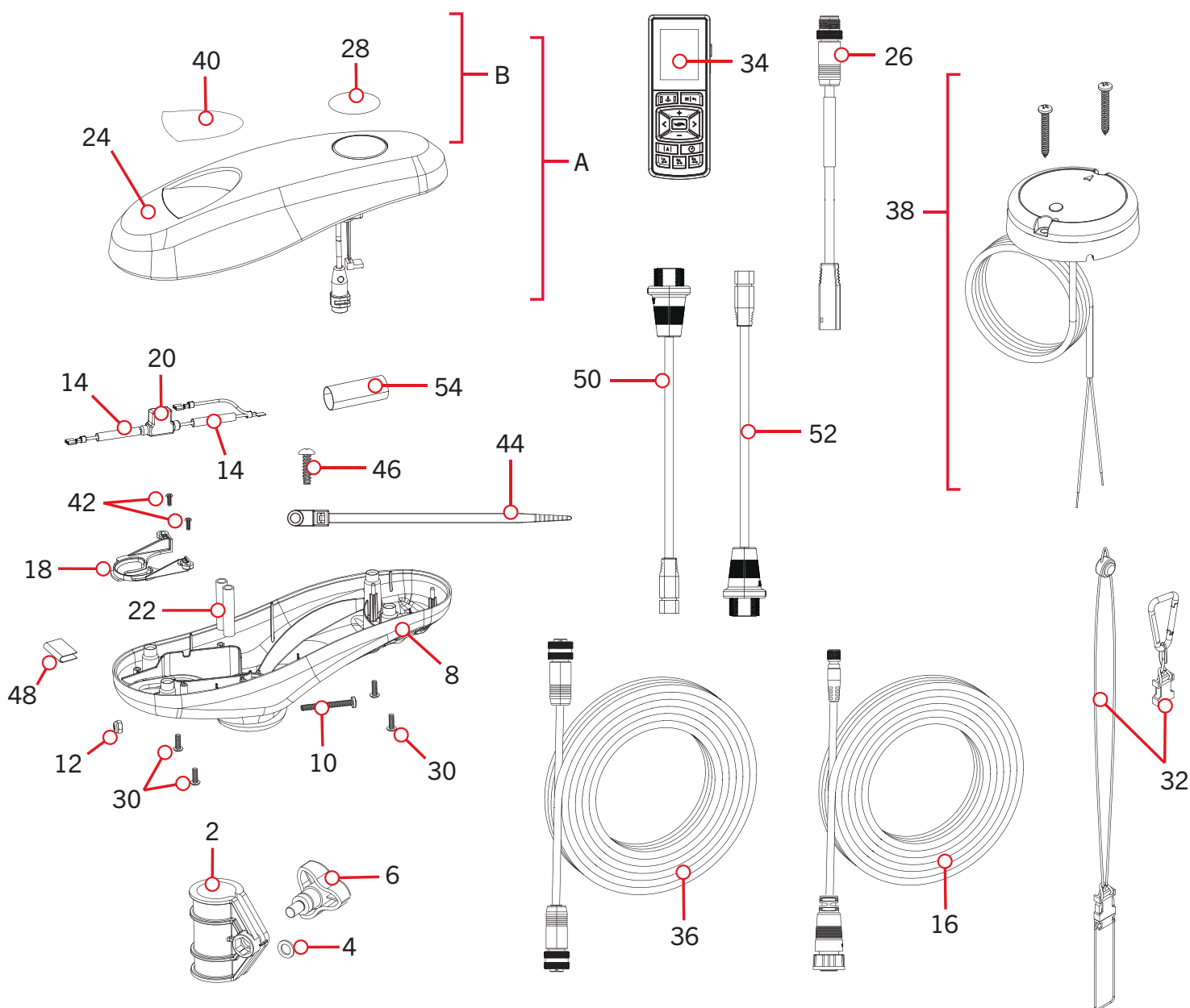
PARTS DIAGRAM & PARTS LIST

TERROVA - 55/80/112 LBS THRUST - 12/24/36 VOLT - 45"/54"/60"/72" SHAFT

The parts diagram and parts list provides Minn Kota® WEEE compliance disassembly instructions. For more information about where you should dispose of your waste equipment for recycling and recovery and/or your European Union member state requirements, please contact your dealer or distributor from which your product was purchased. Tools required, but not limited to: flat head screwdriver, Phillips screwdriver, socket set, pliers, wire cutters.

TERROVA CONTROL HEAD >

> Control Head Parts Diagram



PARTS DIAGRAM & PARTS LIST

Control Head Parts List

| Assembly | Part # | Description | Notes | Quantity |
|----------|----------|---------------------------------|---|----------|
| A | 2774103 | CONTROLLER,ADV GPS NAV,TRV/UTX | *DUAL SPECTRUM CHIRP* *BUILT-IN MEGA DOWN IMAGING* | 1 |
| B | 2770242 | CVR KIT, ADV GPS NAV, TRV/UTX | | 1 |
| Item | Part # | Description | Notes | Quantity |
| ▲ | ✘ | SEAL,BUNG LOWER | | 1 |
| ▲ | ✘ | SEAL,BUNG UPPER,FW | | 1 |
| 2 | 2321500 | DEPTH COLLAR 1.30 | | 1 |
| 4 | 2321702 | WASHER-FLAT .375 NYLON | | 1 |
| 6 | 2260905 | KNOB-SOFT GRIP,HG/DR,ZNC | | 1 |
| 8 | 2292500 | CONTROL BOX, ULTREX, T2 | | 1 |
| 10 | 2263406 | SCREW-#10-24 X 2" S/S PPH | | 1 |
| 12 | 2333101 | NUT-HEX #10-24 UNC-2B NYL SS | | 1 |
| 14 | 2065400 | WIRE INSULATOR-LGE 1-3/4,BLUE | | 2 |
| 16 | 490507-1 | CABLE, ADP-INT MDI 14 M12-120" | *BUILT-IN MEGA DOWN IMAGING* | 1 |
| | 490575-3 | CABLE, ADPTR, 14 PIN, 110"-DSC | *DUAL SPECTRUM CHIRP* | 1 |
| ▲ | 2256300 | TIE WRAP-6.0" BLACK | | 2 |
| | 2256300 | TIE WRAP-6.0" BLACK | *BUILT-IN MEGA DOWN IMAGING 60" 80LB/112LB* *BUILT-IN MEGA DOWN IMAGING 72" 112LB* | 4 |
| 18 | 2224706 | PLUG, SCREW-DOWN, BLK | | 1 |
| 20 | 2218201 | FUSE HOLDER ASSEMBLY | | 1 |
| 22 | 2375400 | SHRINK TUBE-1/40D X 1-3/4 | | 2 |
| 24 | 2290212 | COVER,CTRL BOX iP, PD PRINTED | | 1 |
| 26 | 490380-1 | CABLE, ETHERNET PIGTAIL-700 HD | | 1 |
| 28 | 2395524 | DECAL, DOMED FW | | 1 |
| 30 | 2372100 | SCREW-#8-18 X 5/8 THD (SS) | | 4 |
| 32 | 2390802 | LANYARD w/CARABINR,WIRELESS RMT | | 1 |
| 34 | 411690-1 | TROLLING MOTOR REMOTE | *DUAL SPECTRUM CHIRP* *BUILT-IN MEGA DOWN IMAGING* | 1 |
| 36 | 490384-4 | CABLE, ETHERNET (M12-M12), 30' | | 1 |
| 38 | 2996400 | HEADING SENSOR ASSEMBLY | | 1 |
| 40 | 2395564 | DECAL,PUSH BTN TOP 55# FW | *55LB* | 1 |
| | 2395565 | DECAL,PUSH BTN TOP 80# FW | *80LB* | 1 |
| | 2395566 | DECAL,PSH BTN TOP 112# FW | *112LB* | 1 |
| 42 | 2372103 | SCREW. #6 x 3/8 PLASTITE | | 2 |
| 44 | 2206302 | TIE WRAP, SCREW MOUNT 6.3" | | 1 |
| 46 | 2203441 | SCREW-#6 X 1/2" THRD FORM,SSTL | | 1 |
| 48 | 2215700 | LABEL, DI CABLE EXIT LOCATION | *BUILT-IN MEGA DOWN IMAGING 60" 80LB/112LB* *BUILT-IN MEGA DOWN IMAGING 72" 112LB* | 1 |

▲ Not shown on Parts Diagram.

✘ This part is included in an assembly and cannot be ordered individually.

PARTS DIAGRAM & PARTS LIST



| Item | Part # | Description | Notes | Quantity |
|------|---------|------------------------------------|--|----------|
| 50 | 2994961 | BAG ASM, CABLE,ADPTR, 490537-2 | *490537-2* *MKR-MI-1* *DUAL SPECTRUM CHIRP* *BUILT-IN MEGA DOWN IMAGING* | 1 |
| 52 | 2994960 | BAG ASM, CABLE,ADPTR, 490518-1 | *490518-1* *MKR-MDI-2* *DUAL SPECTRUM CHIRP* *BUILT-IN MEGA DOWN IMAGING* | 1 |
| 54 | 2205412 | SHRINK TUBE-.75 ID X 2" | | 1 |
| ▲ | 2206301 | TIE WRAP, LOW PROFILE 8" | | 1 |
| ▲ | 2996300 | TIE WRAP ASM, 60" | *DUAL SPECTRUM CHIRP* *BUILT-IN MEGA DOWN IMAGING* *45"* *54"* *60"* | 1 |
| | 2996300 | TIE WRAP ASM, 60" | *DUAL SPECTRUM CHIRP* *BUILT-IN MEGA DOWN IMAGING* *72"* | 2 |
| ▲ | 2327134 | MANUAL, TERROVA 3 PM | | 1 |
| ▲ | 2327136 | MANUAL-INSTLL GUIDE T3 PM | | 1 |
| ▲ | 2397110 | MANUAL, iPILOT 4.0 | | 1 |
| ▲ | 2397115 | GUIDE-QUICK REFERENCE iP 4.0 | | 1 |
| ▲ | 2394900 | INSTRUCTIONS, HEADING SENSOR | | 1 |
| ▲ | 2297165 | MANUAL - DISCLAIMER, DOWNLOAD INFO | | 1 |
| ▲ | 2015800 | HANG TAG "CAUTION..TILT HINGE" | | 1 |
| ▲ | 2294950 | INSTRUCTIONS,OBN & REMOTE PAIR | | 1 |
| ▲ | 2207131 | STANDARD QS SETUP GUIDE | | 1 |

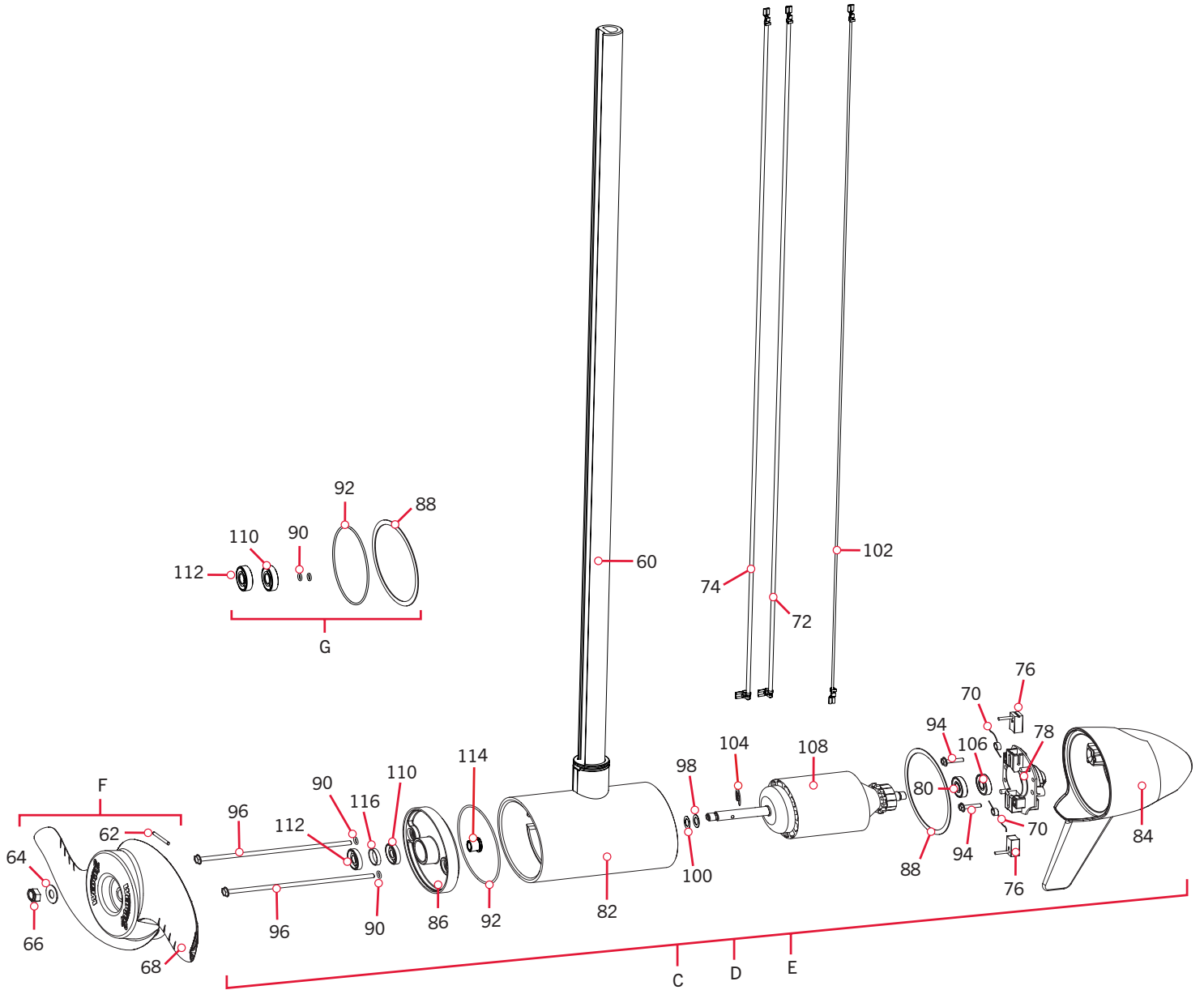
▲ Not shown on Parts Diagram.

✘ This part is included in an assembly and cannot be ordered individually.



TERROVA MOTOR >

> 12 Volt 3.625" Motor Parts Diagram



PARTS DIAGRAM & PARTS LIST



12 Volt 3.625" Motor Parts List

| Assembly | Part # | Description | Notes | Quantity |
|----------|------------|--------------------------------|-----------------------------|----------|
| C | 2119021 | MTR ASY 12V 3.62 VARS 55# CB | *54** *NON-SONAR* | 1 |
| D | 2777191 | MTR/TUBE ASM 12V DSC 45" | *45** *DUAL SPECTRUM CHIRP* | 1 |
| E | 2777192 | MTR/TUBE ASM 12V DSC 54" | *54** *DUAL SPECTRUM CHIRP* | 1 |
| F | 1378170 | PROP KIT 2091170 PWR PRP GENII | | 1 |
| G | 2888460 | SEAL & O-RING KIT | | 1 |
| Item | Part # | Description | Notes | Quantity |
| 60 | ✘ | TUBE-COMP,BLK,45",1/4" WALL | *45** | 1 |
| | ✘ | TUBE-CMP,BLK,54",1/4" WALL | *54** | 1 |
| 62 | 2092600 | PIN-DRIVE 1.06" LG (SS) | | 1 |
| 64 | 2151726 | WASHER-5/16 STD (S/S) | | 1 |
| 66 | 2053101 | NUT-PROP,NYLOC (MED) 5/16 SS | | 1 |
| 68 | 2091170 | PROP-PWR (3 5/8") REAMED | | 1 |
| 70 | 975-040 | SPRING - TORSION | | 2 |
| 72 | 640-028 | LEADWIRE BLK 10 AWG 58.5 XLP | *45** | 1 |
| | 640-009 | LEADWIRE BLK 10 AWG 65 GPT | *54** | 1 |
| 74 | 640-128 | LEADWIRE RED 10AWG 60.5" GPT | *45** | 1 |
| | 640-108 | LEADWIRE RED 10 AWG 67 GPT | *54** | 1 |
| 76 | 188-036 | BRUSH ASSEMBLY 3.625 | | 2 |
| 78 | 738-036 | BRUSH PLATE WITH HOLDER 3.625 | | 1 |
| 80 | 725-050 | PAPER TUBE - BRUSH RETENTION | | 1 |
| 82 | ✘ | CTR HSG ASY 3.62 FW-MAGNET CB | | 1 |
| 84 | ✘ | BRUSH END HSG 3.625, PTD | *DUAL SPECTRUM CHIRP* | 1 |
| | ✘ | HSG BRSH END 3.62 FW | *NON-SONAR* | 1 |
| 86 | 2-400-101A | PLAIN END HSG ASY 3.625 | | 1 |
| 88 | 337-036 | GASKET | | 1 |
| 90 | 701-008 | O-RING | *THRU-BOLT* | 2 |
| 92 | 701-081 | O-RING | | 1 |
| 94 | 830-007 | SCREW, # 8-32 | | 2 |
| 96 | 830-008 | THRU BOLT 10-32 x 9.205 | | 2 |
| 98 | 990-067 | WASHER - STEEL THRUST | | 1 |
| 100 | 990-070 | WASHER - NYLATRON | | 1 |
| 102 | 640-315 | LEADWIRE BROWN 18 AWG 62" GPT | *45** *DUAL SPECTRUM CHIRP* | 1 |
| | 640-316 | LEADWIRE BROWN 18 AWG 71" GPT | *54** *DUAL SPECTRUM CHIRP* | 1 |
| 104 | 788-015 | RETAINING RING | | 1 |
| 106 | 140-010 | BEARING - BALL | | 1 |
| 108 | 2-100-146 | ARM ASY 12V 3.62 55#CB/LS | | 1 |

▲ Not shown on Parts Diagram.

✘ This part is included in an assembly and cannot be ordered individually.



PARTS DIAGRAM & PARTS LIST



| Item | Part # | Description | Notes | Quantity |
|------|---------|--------------------------------|----------------------------|----------|
| 110 | 880-003 | SEAL | | 1 |
| 112 | 880-006 | SEAL WITH SHIELD | | 1 |
| 114 | 144-049 | BEARING - FLANGE | | 1 |
| 116 | 725-035 | PAPER TUBE - SEAL BORE | | 1 |
| ▲ | ✘ | DSC XD UCER ASSY 67" HW T | *45" *DUAL SPECTRUM CHIRP* | 1 |
| | ✘ | DSC XDUCER ASSY 73" HW T | *54" *DUAL SPECTRUM CHIRP* | 1 |
| ▲ | ✘ | SCREW-#6-20 X 1/2 THD CUTS,RIE | *DUAL SPECTRUM CHIRP* | 3 |

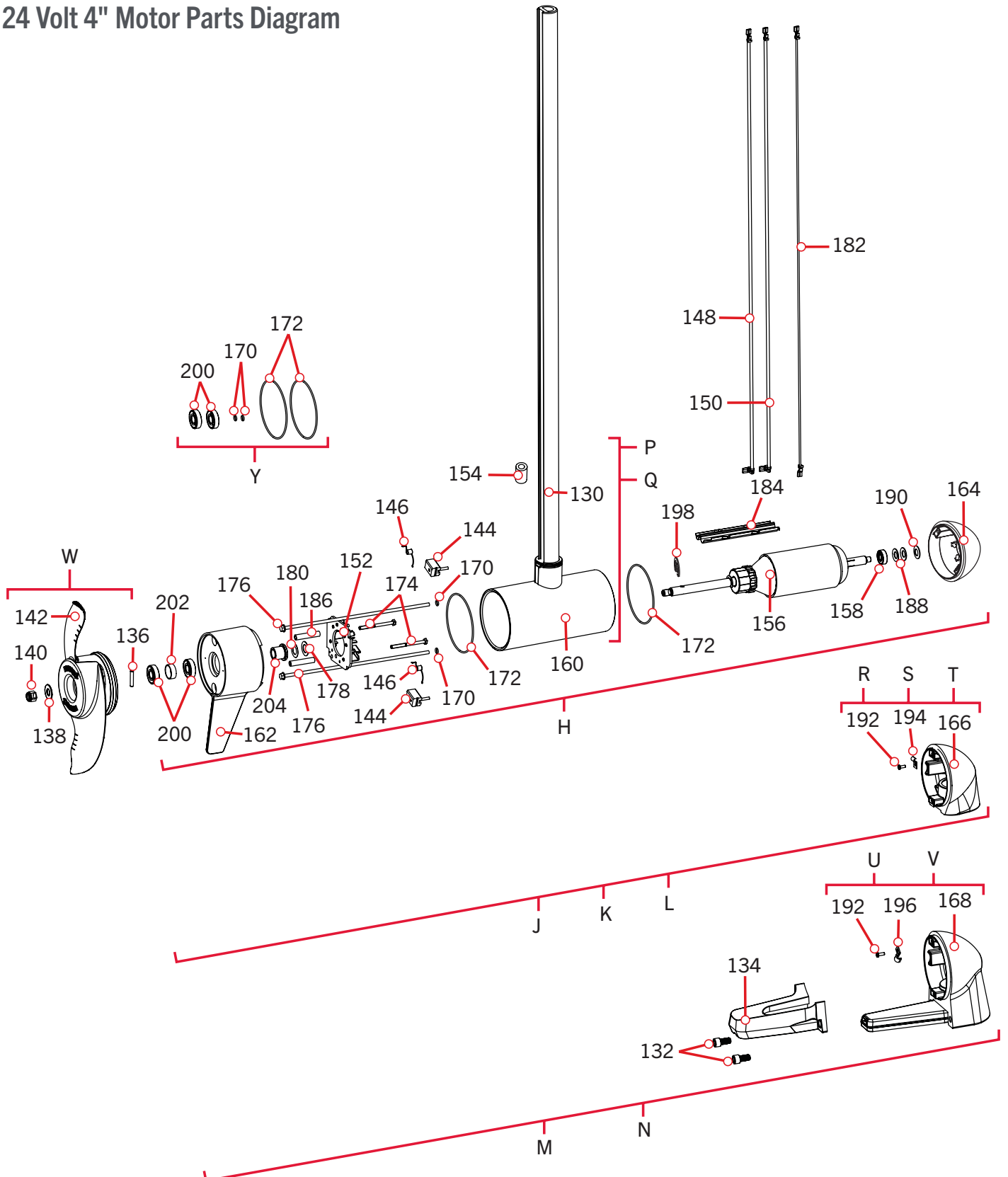
▲ Not shown on Parts Diagram.

✘ This part is included in an assembly and cannot be ordered individually.



PARTS DIAGRAM & PARTS LIST

24 Volt 4" Motor Parts Diagram



PARTS DIAGRAM & PARTS LIST

▶ 24 Volt 4" Motor Parts List

| Assembly | Part # | Description | Notes | Quantity |
|----------|---------|---------------------------------|---|----------|
| H | 2777002 | MTR/TUBE ASSY 80# 60" TERROVA | *NON-SONAR* | 1 |
| J | 2777124 | MTR/TUBE ASM 24V DSC 45" | *DUAL SPECTRUM CHIRP* *45"* | 1 |
| K | 2777128 | MTR/TUBE ASM 24V DSC 60" | *DUAL SPECTRUM CHIRP* *60"* | 1 |
| K | 2777127 | MTR/TUBE ASM 24V "M" DSC 60" | *DUAL SPECTRUM CHIRP* *60"* *EUROPE ONLY* | 1 |
| L | 2777129 | MTR/TUBE ASM 24V DSC 72" | *DUAL SPECTRUM CHIRP* *72"* | 1 |
| M | 2777046 | MTR/TUBE ASM 24V MDI 60" | *BUILT-IN MEGA DOWN IMAGING* *60"* | 1 |
| N | 2777044 | MTR/TUBE ASM 24V MDI 45" | *BUILT-IN MEGA DOWN IMAGING* *45"* | 1 |
| P | 2777196 | CTR HSG, CB, 80#, FW, UP TO 60" | | 1 |
| Q | 2777197 | CTR HSG, CB, 80#, FW, 72" TUBE | | 1 |
| R | 2993020 | PLN END HSG/TRDCR 4.0 DSC | *DUAL SPECTRUM CHIRP* *45"* | 1 |
| S | 2993025 | PLN END HSG/TRDCR 4.0 DSC | *DUAL SPECTRUM CHIRP* *60"* | 1 |
| T | 2993027 | PLN END HSG/TRDCR 4.0 DSC | *DUAL SPECTRUM CHIRP* *72"* | 1 |
| U | 2993051 | PLN END HSG/TRNDCR 4.0 MDI | *BUILT-IN MEGA DOWN IMAGING* *45"* | 1 |
| V | 2993053 | PLN END HSG/TRNDCR 4.0 MDI | *BUILT-IN MEGA DOWN IMAGING* *60"* | 1 |
| W | 1378132 | PROP IND 2331160 WDLS WDG II | | 1 |
| Y | 2889460 | SEAL & O-RING KIT | | 1 |
| Item | Part # | Description | Notes | Quantity |
| 130 | ✘ | TUBE-COMP,BLK,45",1/4" WALL | *45"* | 1 |
| | ✘ | TUBE-CMP,BLK,45",1/4",DI, | *45"* *BUILT-IN MEGA DOWN IMAGING* | 1 |
| | ✘ | TUBE-COMP,BLK,60",1/4" WALL | *60"* *M SKU* | 1 |
| | ✘ | TUBE-COMP,BLK,60",1/4" WALL | *60"* *DUAL SPECTRUM CHIRP* *NON-SONAR* | 1 |
| | ✘ | TUBE-CMP,BLK,72",1/4"WALL | *72"* | 1 |
| | ✘ | TUBE-CMP,BLK,60",1/4",DI | *60"* *BUILT-IN MEGA DOWN IMAGING* | 1 |
| 132 | 830-110 | SCREW-5-16-18 X 5/8 SHCS SS | *BUILT-IN MEGA DOWN IMAGING* | 2 |
| 134 | 792-001 | GUARD, TRANSDUCER, PNT 4.0 DI | *BUILT-IN MEGA DOWN IMAGING* | 1 |
| 136 | 2262658 | PIN-DRIVE 1" X 3/16" S/S | | 1 |
| 138 | 2091701 | WASHER-PROP (LARGE) | | 1 |
| 140 | 2093101 | NUT-PROP,NYLOC,LG, 3/8 SS | | 1 |
| 142 | 2331161 | PROP-WW2 4" WELDED | | 1 |
| 144 | 188-094 | BRUSH W/TERMINAL | | 2 |
| 146 | 975-041 | SPRING - TORSION | | 2 |
| 148 | 640-013 | LEADWIRE BK 10A 51.75 XLP | *45"* | 1 |
| | 640-025 | LEADWIRE BLK 10 AWG 66 3/4 XLP | *60"* | 1 |
| | 640-024 | LEADWIRE BLK 10 AWG 79" XLP | *72"* | 1 |

▲ Not shown on Parts Diagram.

✘ This part is included in an assembly and cannot be ordered individually.

PARTS DIAGRAM & PARTS LIST



| Item | Part # | Description | Notes | Quantity |
|------|-----------|--------------------------------|--|----------|
| 150 | 640-117 | LEADWIRE RD 10A 51.25 XLP | *45" | 1 |
| | 640-133 | LEADWIRE RED 10AWG 66-1/4 XLP | *60" | 1 |
| | 640-125 | LEADWIRE RED 10AWG 79-1/2 XLP | *72" | 1 |
| ▲ | ✘ | BRUSH HOLDER | | 2 |
| 152 | 738-004 | BRUSH PLATE-4" | | 1 |
| ▲ | 2260730 | CONNECTOR 1/4 MALE TAB QD | | 2 |
| 154 | ✘ | BEAD-FERRITE | *M SKU* *BUILT-IN MEGA DOWN IMAGING* | 1 |
| 156 | 2-100-214 | ARM ASSY 24V 4" 80# (WW2) | | 1 |
| 158 | 140-010 | BEARING - BALL | | 1 |
| 160 | ✘ | CTR HSG ASY 4.0 FW MGNTZ | | 1 |
| 162 | 2-300-170 | BRUSH END HSG ASY 4.0 FW | | 1 |
| 164 | 421-276 | HSG PLN END 4" PAINTED FW BS | *NON-SONAR* | 1 |
| 166 | 421-286 | PLN END 4.0"US2.5/DSC PNT | *DUAL SPECTRUM CHIRP* | 1 |
| 168 | 421-107 | PLAIN END HSG, PNT 4.0 DI | *BUILT-IN MEGA DOWN IMAGING* | 1 |
| 170 | 701-009 | O-RING | *THRU-BOLT* | 2 |
| 172 | 701-043 | O-RING | | 2 |
| 174 | 830-027 | SCREW - SELF-THREAD 10-32X2.25 | | 2 |
| 176 | 830-095 | THRU BOLT 12-24 x 9.79 | | 2 |
| 178 | 990-051 | WASHER - STEEL THRUST | | 1 |
| 180 | 990-052 | WASHER - NYLATRON | | 1 |
| 182 | 640-315 | LEADWIRE BROWN 18 AWG 62" GPT | *45" | 1 |
| | 640-316 | LEADWIRE BROWN 18 AWG 71" GPT | *60" | 1 |
| | 640-317 | LEADWIRE BROWN 18 AWG 86" GPT | *72" | 1 |
| 184 | 582-013 | CLIP, RETAINING SHORT | | 1 |
| 186 | 973-025 | SPACER - BRUSHPLATE | | 2 |
| 188 | 992-010 | WASHER - BELLEVILLE | | 2 |
| 190 | 990-045 | SPACER - THRUST | | 1 |
| 192 | 2302104 | SCREW-#6-20 X 3/8 THD CUTS | *DUAL SPECTRUM CHIRP* *BUILT-IN MEGA DOWN IMAGING* | 1 |
| 194 | 230-038 | CABLE CLAMP | *DUAL SPECTRUM CHIRP* | 1 |
| 196 | 230-040 | CABLE CLAMP, 1/4" STEEL | *BUILT-IN MEGA DOWN IMAGING* | 1 |
| 198 | 788-040 | RETAINING RING | | 1 |
| 200 | 880-025 | SEAL | | 2 |
| 202 | 725-095 | PAPER TUBE, SEAL | | 1 |
| 204 | 144-017 | BEARING, FLANGE | | 1 |
| ▲ | ✘ | RIVET - .25" | | 6 |
| ▲ | ✘ | DSC XDUCER ASSY 62" HW T | *45"* *DUAL SPECTRUM CHIRP* | 1 |
| | ✘ | DSC XDUCER ASSY 79" HW T | *60"* *DUAL SPECTRUM CHIRP* | 1 |
| | ✘ | DSC XDUCER ASSY 91" HW T | *72"* *DUAL SPECTRUM CHIRP* | 1 |

▲ Not shown on Parts Diagram.

✘ This part is included in an assembly and cannot be ordered individually.



PARTS DIAGRAM & PARTS LIST



| Item | Part # | Description | Notes | Quantity |
|------|--------|----------------------------|----------------------------------|----------|
| ▲ | ✘ | BUILT- IN MDI 63", SW | *45"*BUILT-IN MEGA DOWN IMAGING* | 1 |
| | ✘ | BUILT- IN MDI 74", SW | *60"*BUILT-IN MEGA DOWN IMAGING* | 1 |
| ▲ | ✘ | SCREW-#6-32X1/2"TORX PH SS | | 3 |

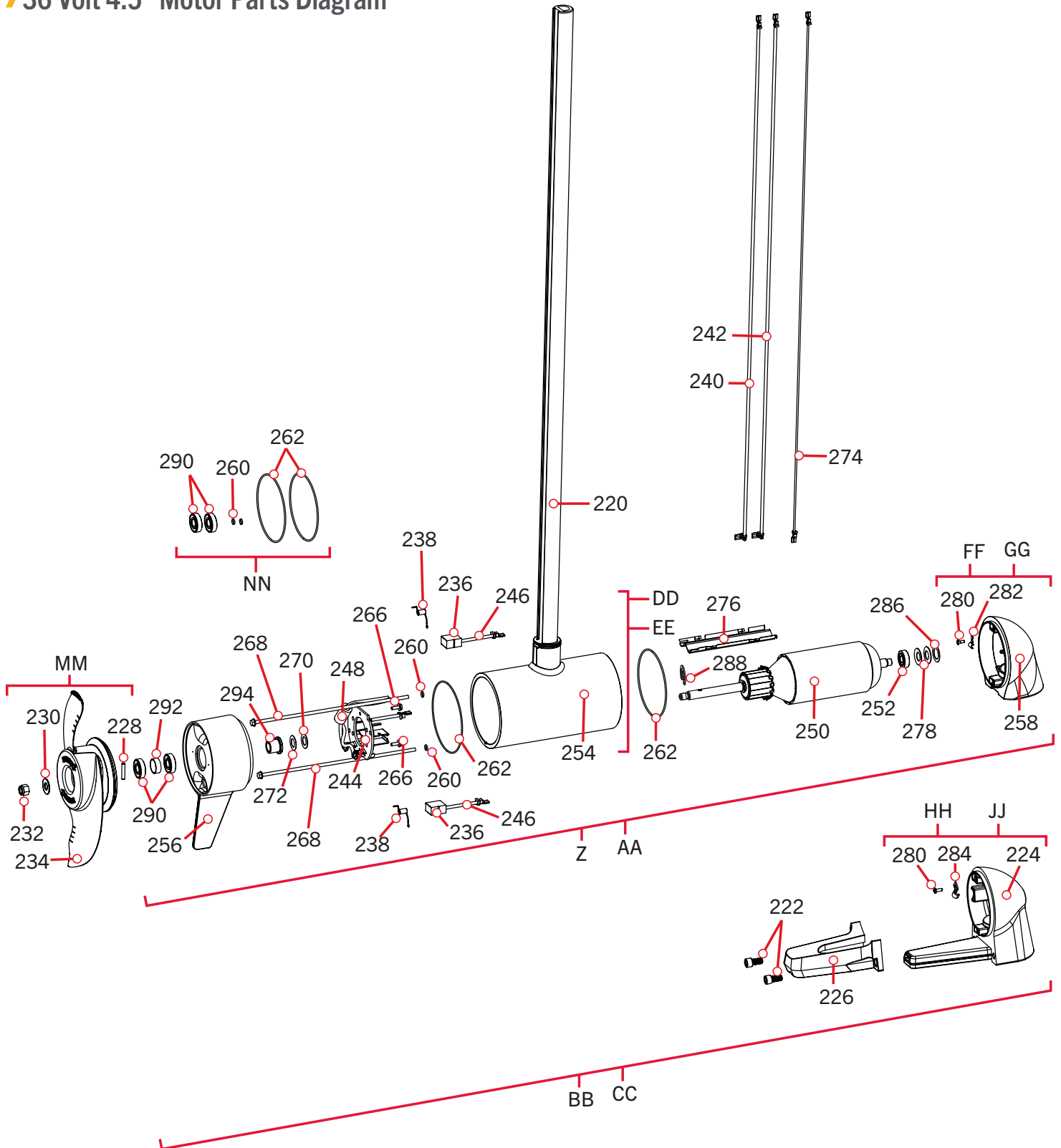
▲ Not shown on Parts Diagram.

✘ This part is included in an assembly and cannot be ordered individually.



PARTS DIAGRAM & PARTS LIST

▶ 36 Volt 4.5" Motor Parts Diagram



PARTS DIAGRAM & PARTS LIST

36 Volt 4.5" Motor Parts List

| Assembly | Part # | Description | Notes | Quantity |
|----------|---------|----------------------------------|--|----------|
| Z | 2777068 | MTR/TUBE ASM 36V DSC 60" | *60"* *DUAL SPECTRUM CHIRP* | 1 |
| AA | 2777069 | MTR/TUBE ASM 36V DSC 72" | *72"* *DUAL SPECTRUM CHIRP* | 1 |
| BB | 2777071 | MTR/TUBE ASM 36V MDI 60" | *60"* *BUILT-IN MEGA DOWN IMAGING* | 1 |
| CC | 2777072 | MTR/TUBE ASM 36V MDI 72" | *72"* *BUILT-IN MEGA DOWN IMAGING* | 1 |
| DD | 2777241 | CTR HSG, CB, 112#, FW, UP TO 60" | *45"* *60"* | 1 |
| EE | 2777242 | CTR HSG, CB, 112#, FW, 72" TUBE | *72"* | 1 |
| FF | 2993024 | PLN END HSG/TRDCR 4.5 DSC | *60"* *DUAL SPECTRUM CHIRP* | 1 |
| GG | 2993028 | PLN END HSG/TRDCR 4.5 DSC | *72"* *DUAL SPECTRUM CHIRP* | 1 |
| HH | 2993056 | PLN END HSG/TRNDCR 4.5 MDI | *60"* *BUILT-IN MEGA DOWN IMAGING* | 1 |
| JJ | 2993055 | PLN END HSG/TRNDCR 4.5 MDI | *72"* *BUILT-IN MEGA DOWN IMAGING* | 1 |
| MM | 1378160 | PROP KIT 2341160 112# WW2 | | 1 |
| NN | 2881450 | SEAL & O-RING KIT | | 1 |
| Item | Part # | Description | Notes | Quantity |
| 220 | ✘ | TUBE-COMP,BLK,45",1/4" WALL | *45"* | 1 |
| | ✘ | TUBE-COMP,BLK,60",1/4" WALL | *60"* *DUAL SPECTRUM CHIRP* *BUILT-IN MEGA DOWN IMAGING* | 1 |
| | ✘ | TUBE-COMP,BLK,60",1/4" WALL | *60"* *M SKU* | 1 |
| | ✘ | TUBE-CMP,BLK,72",1/4"WALL | *72"* *DUAL SPECTRUM CHIRP* | 1 |
| | ✘ | TUBE-CMP,BLK,45",1/4",DI, | *45"* *BUILT-IN MEGA DOWN IMAGING* | 1 |
| | ✘ | TUBE-CMP,BLK,60",1/4",DI | *60"* *BUILT-IN MEGA DOWN IMAGING* | 1 |
| 222 | 830-110 | SCREW-5-16-18 X 5/8 SHCS SS | *BUILT-IN MEGA DOWN IMAGING* | 2 |
| 224 | 421-112 | PLAIN END HSG, PNT 4.5 DI | *BUILT-IN MEGA DOWN IMAGING* | 1 |
| 226 | 792-005 | GUARD, TRANSDUCER, PNT 4.5 DI | *BUILT-IN MEGA DOWN IMAGING* | 1 |
| 228 | 2262658 | PIN-DRIVE 1" X 3/16" S/S | | 1 |
| 230 | 2091701 | WASHER-PROP (LARGE) | | 1 |
| 232 | 2093101 | NUT-PROP,NYLOC,LG, 3/8 SS | | 1 |
| 234 | 2341161 | PROP-WW2 4.5" WELDED | | 1 |
| 236 | 188-095 | BRUSH | | 2 |
| 238 | 975-045 | SPRING - TORSION | | 2 |
| 240 | 640-044 | LEADWIRE BLK 10AWG 72 1/4" GPT | *60"* | 1 |
| | 640-048 | LEADWIRE BLK 10AWG 84 1/4" GPT | *72"* | 1 |
| 242 | 640-144 | LEADWIRE RED 10AWG 71" GPT | *60"* | 1 |
| | 640-148 | LEADWIRE RED 10AWG 83" GPT | *72"* | 1 |
| ▲ | ✘ | BRUSH HOLDER | | 2 |
| 244 | 738-011 | BRUSH PLATE | | 1 |

▲ Not shown on Parts Diagram.

✘ This part is included in an assembly and cannot be ordered individually.

PARTS DIAGRAM & PARTS LIST



| Item | Part # | Description | Notes | Quantity |
|------|-----------|--------------------------------|--|----------|
| 246 | 2260731 | TERMINAL 1/4" MALE TAB-THREE | | 2 |
| 248 | 2307312 | BEAD-FERRITE | | 1 |
| 250 | 2-100-245 | ARMATURE ASY 4.5"LWR UNIT | | 1 |
| 252 | 140-014 | BEARING-BALL 6000 | | 1 |
| 254 | ✘ | CTR HSG ASY 4.5" MAG FW CB | | 1 |
| 256 | 2-300-175 | BRUSH END HSG 4.5" FW | | 1 |
| 258 | 421-246 | PLN END 4.5"US2.5/DSC PNT | *DUAL SPECTRUM CHIRP* | 1 |
| 260 | 701-009 | O-RING | *THRU-BOLT* | 2 |
| 262 | 701-098 | O-RING, 98MM X 2MM | | 2 |
| 266 | 2053410 | SCREW-#8-32 X 1/2 TRI-LOBE HEX | | 2 |
| 268 | 830-094 | THRU BOLT 12-24 X10.31 | | 2 |
| 270 | 990-051 | WASHER - STEEL THRUST | | 1 |
| 272 | 990-052 | WASHER - NYLATRON | | 1 |
| 274 | 640-316 | LEADWIRE BROWN 18 AWG 71" GPT | *60"* | 1 |
| | 640-317 | LEADWIRE BROWN 18 AWG 86" GPT | *72"* | 1 |
| 276 | 582-016 | CLIP-RETAINING, SONAR | | 1 |
| 278 | 992-011 | WASHER - BELLEVILLE | | 2 |
| 280 | 2302104 | SCREW-#6-20 X 3/8 THD CUTS | *DUAL SPECTRUM CHIRP* *BUILT-IN MEGA DOWN IMAGING* | 1 |
| 282 | 230-038 | CABLE CLAMP | *DUAL SPECTRUM CHIRP* | 1 |
| 284 | 230-040 | CABLE CLAMP, 1/4" STEEL | *BUILT-IN MEGA DOWN IMAGING* | 1 |
| 286 | 990-011 | WASHER-SHIM OD 1",ID.630"SS | | 1 |
| 288 | 788-040 | RETAINING RING | | 1 |
| 290 | 880-025 | SEAL | | 2 |
| ▲ | ✘ | RIVET - .25" | | 6 |
| 292 | 725-095 | PAPER TUBE - SEAL BORE | | 1 |
| 294 | 144-017 | BEARING, FLANGE | | 1 |
| ▲ | ✘ | DSC XDUCER ASSY 79" HW T | *DUAL SPECTRUM CHIRP* *60"* | 1 |
| | ✘ | DSC XDUCER ASSY 91" HW T | *DUAL SPECTRUM CHIRP* *72"* | 1 |
| ▲ | ✘ | BUILT- IN MDI 80", SW | *BUILT-IN MEGA DOWN IMAGING* *60"* | 1 |
| | ✘ | BUILT- IN MDI 92", SW | *BUILT-IN MEGA DOWN IMAGING* *72"* | 1 |
| ▲ | ✘ | SCREW-#6-32 X 1/2" TORX PH SS | | 3 |

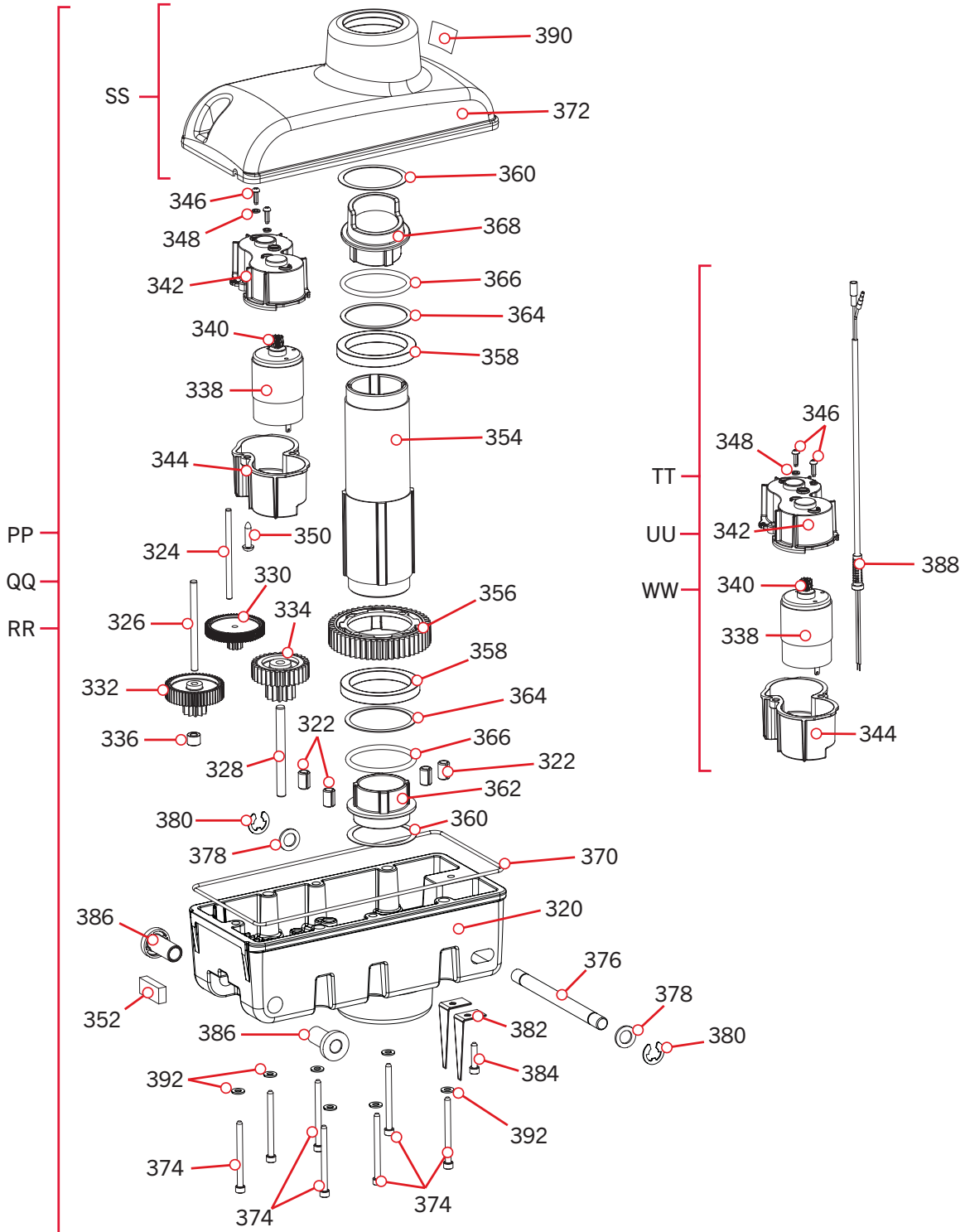
▲ Not shown on Parts Diagram.

✘ This part is included in an assembly and cannot be ordered individually.



TERROVA STEERING HOUSING >

> Steering Housing Parts Diagram



PARTS DIAGRAM & PARTS LIST



Steering Housing Parts List

| Assembly | Part # | Description | Notes | Quantity |
|----------|---------|--------------------------------|---------|----------|
| PP | 2997053 | STR HSG ASM w/BSHG 12V FW | *55LB* | 1 |
| QQ | 2997054 | STR HSG ASM w/BSHG 24V FW | *80LB* | 1 |
| RR | 2997055 | STR HSG ASM w/BSHG 36V FW | *112LB* | 1 |
| SS | 2776561 | STEERING HSG TOP FW/GEAR KIT | | 1 |
| TT | 2777060 | STEERING MOTOR KIT, 12V T2 | *55LB* | 1 |
| UU | 2777061 | STEERING MOTOR KIT, 24V T2 | *80LB* | 1 |
| WW | 2777062 | STEERING MOTOR KIT, 36V FW T2 | *112LB* | 1 |
| Item | Part # | Description | Notes | Quantity |
| 320 | 2326566 | HOUSING-STEERING, BTM, FW | | 1 |
| 322 | 2302605 | PIN-ROLL 5/16" X 1/2" | | 4 |
| 324 | ✘ | SHAFT-GEAR, FIRST CLUSTER | | 1 |
| 326 | ✘ | SHAFT-GEAR,INTERMED.CLUSTER | | 1 |
| 328 | ✘ | SHAFT-GEAR, THIRD CLUSTER | | 1 |
| 330 | 2322210 | GEAR & PINION, DR.HSG, STAGE 2 | | 1 |
| 332 | 2302250 | GEAR & PINION,DR. HSG, STAGE 3 | | 1 |
| 334 | 2302255 | GEAR & PINION,DR. HSG, STAGE 4 | | 1 |
| 336 | 2321730 | SPACER,GEAR CLUSTER | | 1 |
| 338 | 2327060 | MOTOR, STEERING 12V T2 | *55LB* | 1 |
| | 2327061 | MOTOR, STEERING 24V T2 | *80LB* | 1 |
| | 2327062 | MOTOR,STEERING 36V FW T2 | *112LB* | 1 |
| 340 | 2322215 | GEAR-PINION, DR.HSG, STAGE 1 | | 1 |
| 342 | 2322520 | CASE-MOTOR, STEERING HSG, TOP | | 1 |
| 344 | 2322525 | CASE-MOTOR,STEERING HSG,BTM,T2 | | 1 |
| 346 | 2053422 | SCREW-M3-.5 X 10 PPH, ZPS | | 2 |
| 348 | 2051710 | LOCKWASHER-SPLIT, 3MM, ZP | | 2 |
| 350 | 2043412 | SCREW-#8-18 X 3/4 TY AB SS PPH | | 1 |
| 352 | 2308601 | BREATHER FILTER, DR.HOUSING | | 1 |
| 354 | 2322030 | TUBE-OUTPUT, MACHINED | | 1 |
| 356 | 2322200 | GEAR-OUTPUT | | 1 |
| 358 | 2327308 | BEARING-BALL,SEALED | | 2 |
| 360 | 2321704 | WASHER-THRUST, STEERING | | 2 |
| 362 | 2321510 | COLLAR-DRIVE,BOTTOM | | 1 |
| 364 | 2321720 | SHIM,O-RING | | 2 |
| 366 | 2324608 | O-RING,224,PD PRO STR HSG | | 2 |
| 368 | 2321515 | LINER OUTPUT TUBE | | 1 |
| 370 | 2324604 | O-RING, CASE SEAL | | 1 |

▲ Not shown on Parts Diagram.

✘ This part is included in an assembly and cannot be ordered individually.



PARTS DIAGRAM & PARTS LIST



| Item | Part # | Description | Notes | Quantity |
|------|---------|-------------------------------|-------|----------|
| 372 | ✘ | HOUSING-STEERING, TOP, FW | | 1 |
| 374 | 2323408 | SCREW-#8-32 X 2.0 SHCS SS | | 7 |
| 376 | 2322600 | PIN-LATCH, ZP | | 1 |
| 378 | 2321702 | WASHER-FLAT .375 NYLON | | 2 |
| 380 | 2263011 | E-RING 3/8 DIA. SHAFT* | | 2 |
| 382 | 2322702 | SPRING, LATCH PIN SS | | 2 |
| 384 | 2323410 | SCREW-#8-32 X .75 SHCS SS | | 1 |
| 386 | 2327310 | BUSHING,STEERING HSG PIVOT,FW | | 2 |
| 388 | ✘ | LEADWIRE, STEERING MOTOR | | 1 |
| 390 | 2325503 | DECAL,STOW/DEPLOY,TRV3 PM | | 1 |
| 392 | 3394602 | WASHER-FLAT #8 SS | | 7 |

▲ Not shown on Parts Diagram.

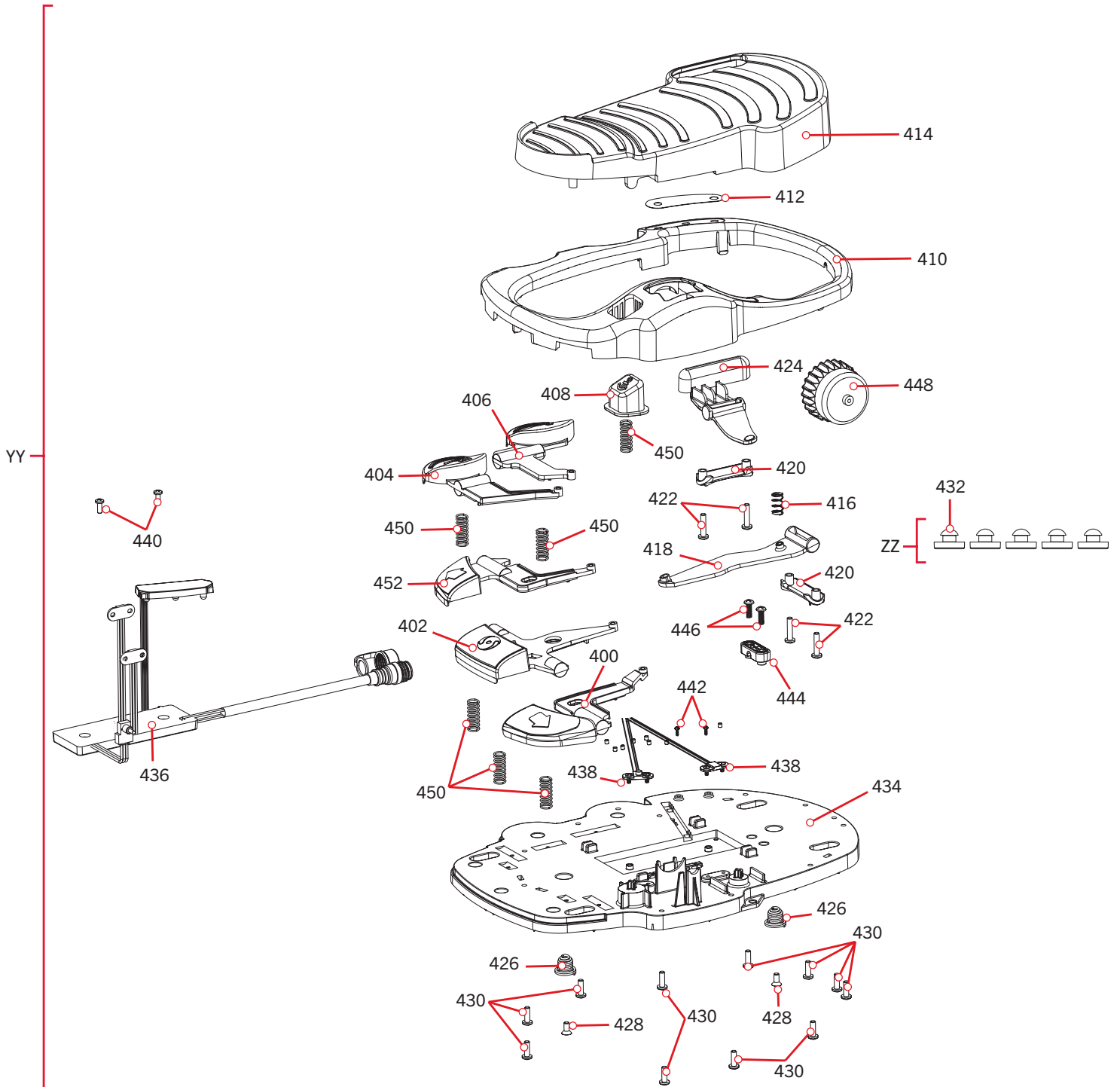
✘ This part is included in an assembly and cannot be ordered individually.



PARTS DIAGRAM & PARTS LIST

TERROVA FOOT PEDAL >

> Foot Pedal Parts Diagram



PARTS DIAGRAM & PARTS LIST

Foot Pedal Parts List

| Assembly | Part # | Description | Notes | Quantity |
|----------|---------|--------------------------------|-------|----------|
| YY | 2994733 | FT PEDAL ASM TRV 3 PM | | 1 |
| ZZ | 2994859 | BAG ASY-TERROVA/V2,RUB.BUMPERS | | 1 |
| Item | Part # | Description | Notes | Quantity |
| 400 | 2323731 | BUTTON, RIGHT STEER, TERROVA | | 1 |
| 402 | 2323735 | BUTTON, MOMENTARY, TERROVA | | 1 |
| 404 | 2323715 | BUTTON,MOM/CON,FT PEDAL | | 1 |
| 406 | 2323726 | BUTTON, AP FOOT PEDAL | | 1 |
| 408 | 2203720 | BUTTON, SPOT LOCK,ULTERRA/TRRV | | 1 |
| 410 | 2320240 | COVER,FT PEDAL,TRV3 BL | | 1 |
| 412 | 2325655 | DECAL, 3 INDICATORS, TERROVA | | 1 |
| 414 | 2324401 | PEDAL,HEEL/TOE FOOT PEDAL | | 1 |
| 416 | 2322714 | SPRING (LEE #LC-029E-4-S) SS | | 1 |
| 418 | 2328600 | FLEX FINGER, FOOT PEDAL | | 1 |
| 420 | 2321300 | CLAMP-LEFT, FT PEDAL | | 2 |
| 422 | 2223430 | SCREW-#8x3/4 PPH,TYPE 25,SS | | 4 |
| 424 | 2323710 | BUTTON,MOM LEFT,FT PEDAL | | 1 |
| 426 | 2322706 | SPRING-BARREL SS | | 2 |
| 428 | 2323420 | SCREW-#8-18 X 3/8" PFH SS TY B | | 2 |
| 430 | 2301310 | SCREW-#8-18 X 1/2 (SS)* | | 11 |
| 432 | 2325110 | PAD, FOOT PEDAL | | 5 |
| 434 | 2204501 | BASE PLATE, FOOT PEDAL | | 1 |
| 436 | ✱ | MAIN ASSY, FOOT PEDAL, TERROVA | | 1 |
| 438 | 2373440 | SCREW-#4-24 X 1/4 PHCR SS TY B | | 4 |
| 440 | 2372103 | SCREW-#6 X .375 PLASTITE SS | | 2 |
| 442 | 2302100 | SCREW-#6-20 X 1/2 THD CUTS | | 2 |
| 444 | 2322900 | STRAIN RELIEF, FOOT PEDAL | | 1 |
| 446 | 2372100 | SCREW-#8-18 X 5/8 THD* (SS) | | 2 |
| 448 | 2320100 | KNOB-SPEED, FOOT PEDAL | | 1 |
| 450 | 2322704 | SPRING, LARGE SHORT SS | | 6 |
| 452 | 2323730 | BUTTON, LEFT STEER, TERROVA | | 1 |

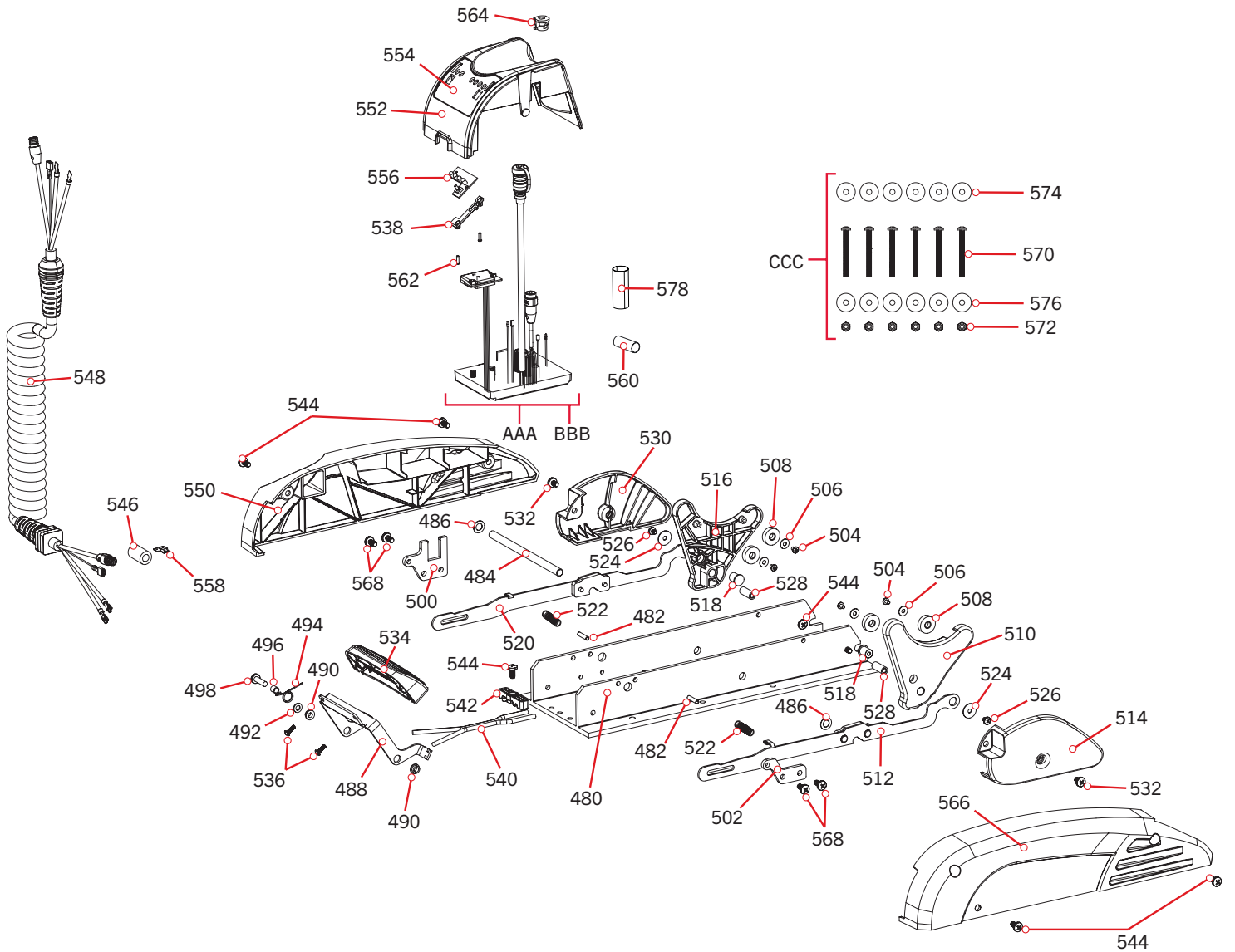
▲ Not shown on Parts Diagram.

✱ This part is included in an assembly and cannot be ordered individually.

PARTS DIAGRAM & PARTS LIST

TERROVA MOUNT >

> Mount Parts Diagram



PARTS DIAGRAM & PARTS LIST

Mount Parts List

| Assembly | Part # | Description | Notes | Quantity |
|----------|---------|--------------------------------|----------------|----------|
| AAA | 2324062 | CONTROL BRD ASY, MAIN, 12V, IP | *55LB* | 1 |
| BBB | 2324063 | CTRL BRD,MAIN,24/36V,IP | *80LB* *112LB* | 1 |
| CCC | 2994864 | BAG ASSY-TERROVA/V2,MNTG HDW | | 1 |
| Item | Part # | Description | Notes | Quantity |
| 480 | 2321907 | BASE, EXTRUSION, MACHINED | | 1 |
| 482 | 2322912 | PIN-ROLL .1875 X 1.000 SS | | 2 |
| 484 | 2322602 | PIN-PIVOT, ZP | | 1 |
| 486 | 2013100 | NUT-SPEED | | 2 |
| 488 | 2320405 | HANDLE, RELEASE, FW | | 1 |
| 490 | 2322604 | BUSHING,HANDLE | | 2 |
| 492 | 2071716 | WASHER-FLAT SS .253 x .470 | | 1 |
| 494 | 2322701 | SPRING, TORSION | | 1 |
| 496 | 2301700 | SPACER-RELEASE LEVER-BRASS | | 1 |
| 498 | 2073408 | SCREW-1/4-20 X 7/8 PPH S/S | | 1 |
| 500 | 2321940 | BRACKET, STRAIN RELIEF FW | | 1 |
| 502 | 2321950 | BRACKET, SIDEPLATE FW | | 1 |
| 504 | 2323412 | SCREW-#8-18 X .25 PPH SS TY B | | 4 |
| 506 | 2321706 | WASHER-FLAT #8 .50 OD/.188 SS | | 4 |
| 508 | 2325115 | PAD, RUBBER REST, BLACK | | 4 |
| 510 | 2323910 | RAMP-MOTOR, RIGHT 3-5/8" | *55LB* | 1 |
| | 2323930 | RAMP-MOTOR, RIGHT 4" | *80LB* | 1 |
| | 2323931 | RAMP-MOTOR, RIGHT 4.5" | *112LB* | 1 |
| 512 | 2994204 | ARM/SUPPORT BLOCK ASSY,R,FW | | 1 |
| 514 | 2321920 | PLATE-SKID, RIGHT FW | *55LB* * 80LB* | 1 |
| | 2321922 | PLATE-SKID, RIGHT FW | *112LB* | 1 |
| 516 | 2323915 | RAMP-MOTOR, LEFT 3 5/8" | *55LB* | 1 |
| | 2323935 | RAMP-MOTOR, LEFT 4" | *80LB* | 1 |
| | 2323936 | RAMP-MOTOR, LEFT 4.5" | *112LB* | 1 |
| 518 | 2324705 | INSERT-MOTOR RAMP,METAL,ZP | | 2 |
| 520 | 2994202 | ARM/SUPPORT BLOCK ASSY,L,FW | | 1 |
| 522 | 2322716 | SPRING, EXTENSION, T2 | | 2 |
| 524 | 2321700 | WASHER #10 SS | | 2 |
| 526 | 2323422 | SCREW-#10-24 X .25" PPH SS MCH | | 2 |
| 528 | 2322920 | STAND-OFF, ALUMINUM PLAIN | | 2 |

▲ Not shown on Parts Diagram.

✘ This part is included in an assembly and cannot be ordered individually.

PARTS DIAGRAM & PARTS LIST



| Item | Part # | Description | Notes | Quantity |
|------|---------|--------------------------------|-------------------|----------|
| 530 | 2321925 | PLATE-SKID, LEFT FW | *55LB* * 80LB* | 1 |
| | 2321927 | PLATE-SKID, LEFT | *112LB* | 1 |
| 532 | 2323403 | SCREW-1/4-20 X.375 MCH SS CRPH | | 2 |
| 534 | 2320217 | COVER, HANDLE COSMETIC FW | | 1 |
| 536 | 2383446 | SCREW-#8-16 X .50" PLASTITE SS | | 2 |
| 538 | 2320830 | LOCKING TAB,PWR/BAT.METER | | 1 |
| ▲ | 2323406 | SCREW-#10-24 X .50 CRPH SS | | 2 |
| 540 | 2090651 | LEADWIRE,10 GA | | 1 |
| 542 | 2321310 | STRAIN RELIEF | | 1 |
| 544 | 2323405 | SCREW-1/4-20 X 1/2" MCH SS | | 7 |
| 546 | 2307313 | BEAD-FERRITE | *80LB* *112LB* | 1 |
| 548 | 2991272 | COIL CORD ASY 54"/60" U.SONAR | *54"* *60"* | 1 |
| | 2991276 | COIL CORD ASSY 72" U.SONAR | *72"* | 1 |
| | 2991274 | COIL CORD ASSY 45"/48" U.SONAR | *45"* | 1 |
| | 2991271 | COIL CORD ASY 54"/60" NON-US2 | *54"* *NON-SONAR* | 1 |
| 550 | 2323927 | SIDEPLATE-LEFT, TERROVA | | 1 |
| 552 | 2326530 | HOUSING-CENTER, TERROVA | | 1 |
| 554 | 2325636 | DECAL-PWR SWTCH,T3PM,FW | | 1 |
| 556 | 2074070 | BATTERY METER, 12V, FW | *55LB* | 1 |
| | 2074071 | BATTERY METER, 24V, FW | *80LB* | 1 |
| | 2074072 | BATTERY METER, 36V, FW | *112LB* | 1 |
| 558 | 2320710 | TERMINAL-AMP (T-TAB) | | 1 |
| 560 | 2325401 | SHRINK TUBE-3/4 ID X 2" W/ADHS | | 1 |
| 562 | 2383428 | SCREW-#4-24 X 3/8 HI-LO SS | | 2 |
| 564 | 2322901 | STRAIN RELIEF, HEYCO P/N 1852 | | 1 |
| 566 | 2323922 | SIDEPLATE-RIGHT, TERROVA | | 1 |
| 568 | 2323404 | SCREW-1/4-20 X 1/2" T-L ZP | | 4 |
| 570 | 2263462 | SCREW-1/4-20 X 2" S/S PPH ADJT | | 6 |
| 572 | 2263103 | NUT-1/4-20 NYLOCK SS | | 6 |
| 574 | 2301720 | WASHER-MOUNTING - RUBBER | | 6 |
| 576 | 2261713 | WASHER-1/4 FLAT 18-8 SS | | 6 |
| 578 | 2205412 | SHRINK TUBE-.75 ID X 2" | | 1 |
| ▲ | 2377179 | INSTR.SHEET, MKA-60 STABILIZER | *72"* | 1 |

▲ Not shown on Parts Diagram.

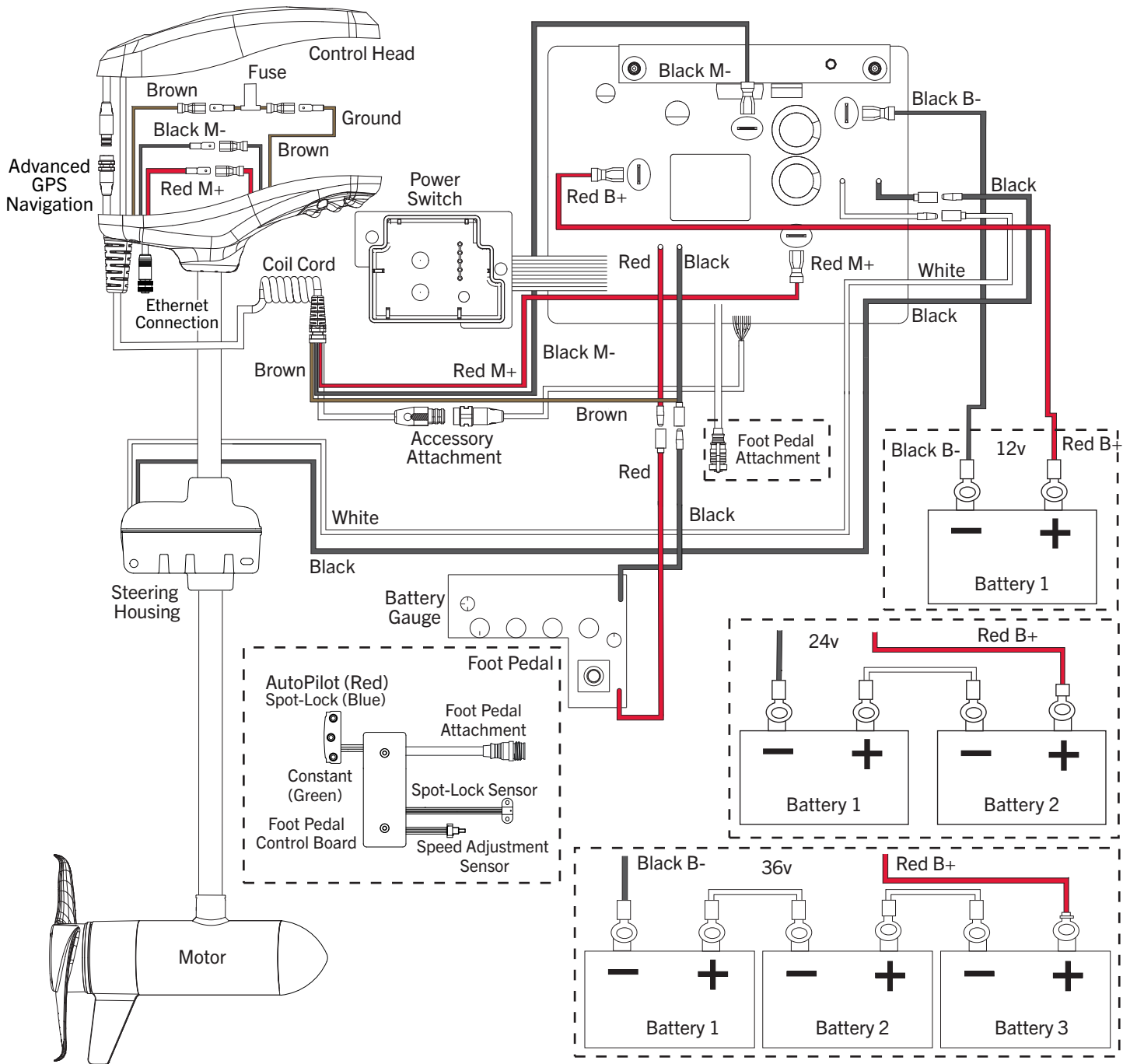
✘ This part is included in an assembly and cannot be ordered individually.



MOTOR WIRING DIAGRAM

TERROVA

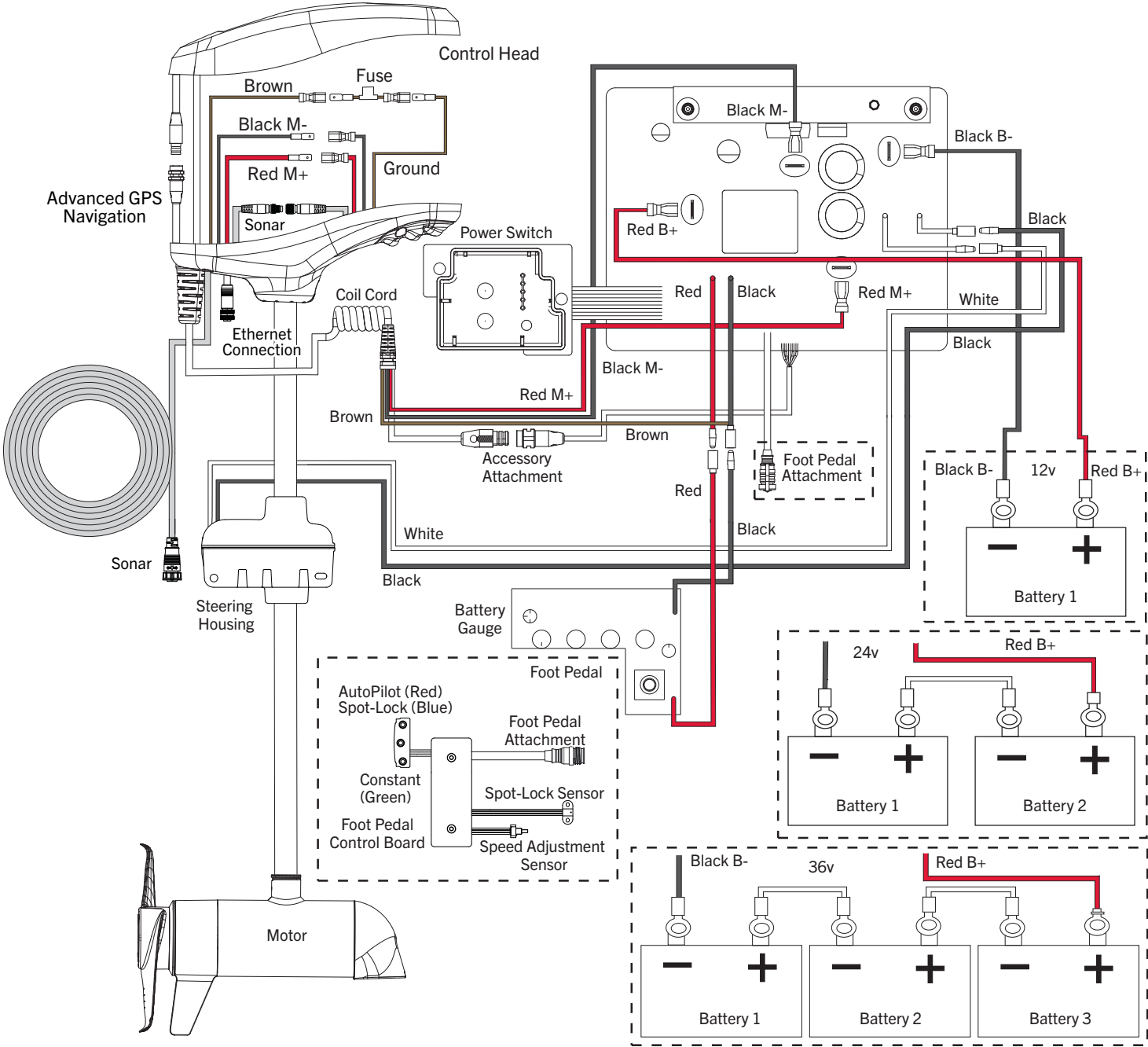
The following Motor Wiring Diagram applies to all Terrova models preinstalled with Advanced GPS Navigation.



NOTICE: This is a multi-voltage diagram. Double-check your motor's voltage for proper connections. Over-Current Protection Devices are not shown in this illustration.

TERROVA WITH ADVANCED GPS NAVIGATION AND SONAR

The following Motor Wiring Diagram applies to all Terrova models that come factory installed with Advanced GPS Navigation and either Dual Spectrum CHIRP or Built-in MEGA Down Imaging.



NOTICE: This is a multi-voltage diagram. Double-check your motor's voltage for proper connections. Over-Current Protection Devices are not shown in this illustration. This diagram is for reference only and is not to scale.