

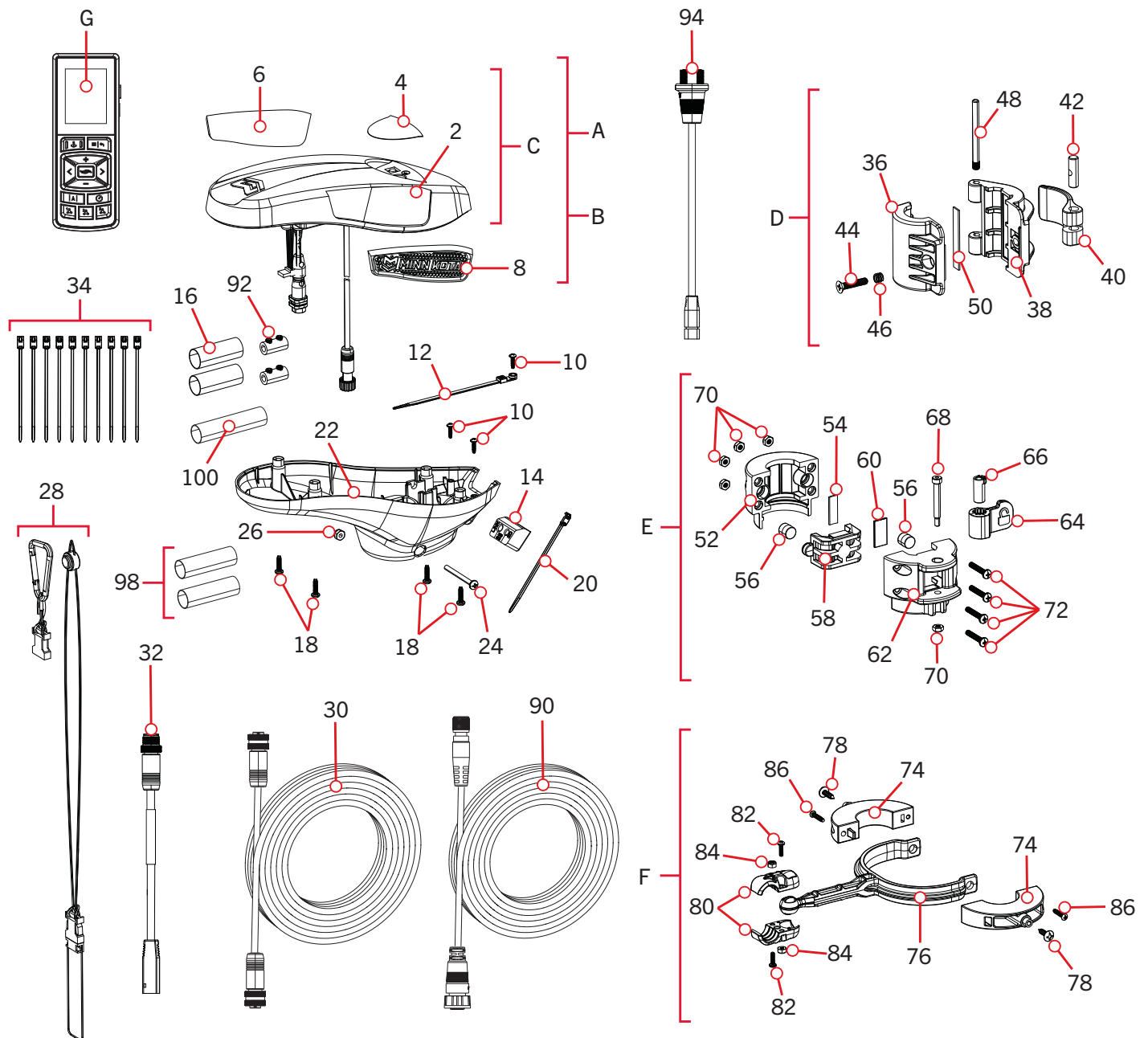
PARTS DIAGRAM & PARTS LIST

TERROVA QUEST - 90/115 THRUST - 24/36 VOLT - 45"/60"/72" SHAFT

The parts diagram and parts list provide Minn Kota® WEEE compliance disassembly instructions. For more information about where you should dispose of your waste equipment for recycling and recovery and/or your European Union member state requirements, please contact your dealer or distributor from which your product was purchased. Tools required, but not limited to: flat head screwdriver, Phillips screwdriver, socket set, pliers, wire cutters.

TERROVA QUEST CONTROL HEAD >

> Control Head Parts Diagram



PARTS DIAGRAM & PARTS LIST

Control Head Parts List

Assembly	Part #	Description	Notes	Quantity
A	2774190	CONTROLLER KIT 4.0 QUEST FW	*DUAL SPECTRUM CHIRP*	1
B	2774191	CONTRLLR KT 4.0 QUEST FW w/GND	*MEGA SIDE IMAGING*	1
C	2770247	CTRL BOX COVER QUEST FW	*COVER & DECALS*	1
D	2991530	CLAMP COLLAR ASSEMBLY		1
E	✘	STOW LOCK COLLAR ASSEMBLY	*72**	1
F	✘	COIL CORD SLIDER ASSEMBLY	*72**	1
G	411690-1	TROLLING MOTOR REMOTE		1
Item	Part #	Description	Notes	Quantity
2	2200220	CONTROL BOX COVER, BLACK		1
4	2395560	DECAL,PUSH BTN,ULT FX,BLK		1
6	2205540	DECAL, CTRL BOX MK RIGHT FW		1
8	2205545	DECAL, CTRL BOX MK LEFT FW		1
10	2203441	SCREW-#6 X 1/2" THRD FORM,SSTL		3
12	2206302	TIE WRAP,SCREW MOUNT 6.3"		1
14	2206711	PLUG, RUBBER, 2D	*DUAL SPECTRUM CHIRP*	1
	2206710	PLUG, RUBBER, DI/SI	*MEGA SIDE IMAGING*	1
16	2205412	SHRINK TUBE-.75 ID X 2"		2
18	2372100	SCREW-#8-18 X 5/8 THD* (SS		4
20	2206301	TIE WRAP, LOW PROFILE 8"		1
22	2202520	CONTROL BOX BASE, ULT/UTX FW		1
24	2263406	SCREW-#10-24 X 2" S/S PPH		1
26	2333101	NUT-HEX #10-24 UNC-2B NYL SS		1
28	2390802	LANYARD w/CARABINER IP RMT U2		1
30	490384-4	CABLE, ETHERNET (M12-M12), 30'		1
32	490380-1	CABLE, ETHERNET PIGTAIL-700 HD		1
34	2996300	BAG ASM, TIE WRAPS, LOW PRO 4"		1
36	2291530	CLAMP COLLAR, BOLT SIDE		1
38	2291535	CLAMP COLLAR, CAM SIDE		1
40	2297200	LEVER, CAM LOCK		1
42	2322615	PIN,CAM LOCK,DEPTH COLLAR		1
44	2323401	SCREW-1/4-28X1 1/4 PFH		1
46	2062720	SPRING,DEPTH COLLAR,TRAXX		1
48	2292617	PIN, HINGE		1
50	2295110	PAD, FRICTION		1
52	2321535	COLLAR-STOW SPRING SIDE	*72**	1
54	2325120	PAD-FRICTION, SPRING SIDE	*72**	1
56	2322707	SPRING SILICONE RUBBER	*72**	2
58	2323010	RING-PRESSURE,STOW COLLAR	*72**	1

▲ Not shown on Parts Diagram.

✘ This part is included in an assembly and cannot be ordered individually.

PARTS DIAGRAM & PARTS LIST



Item	Part #	Description	Notes	Quantity
60	2325121	PAD-FRICTION, CAM SIDE	*72**	1
62	2321536	COLLAR-STOW, CAM SIDE	*72**	1
64	2327910	CAM ARM, STOW COLLAR	*72**	1
66	2327330	BUSHING, CAM ARM	*72**	1
68	2322635	BOLT,SHLDER ¼X1½X10-24 SS	*72**	1
70	2323112	NUT-#10-24 NYLOCK JAM SS	*72**	5
72	2323413	SCREW-#10-24X1 1/8 NYLOCK	*72**	4
74	2201530	COLLAR HALF, COIL CORD	*72**	2
76	2201531	COLLAR ARM, COIL CORD	*72**	1
78	2203424	SCREW-#10-12 x.75 PTH SS	*72**	2
80	2200860	CLAMP-BALL,COIL CORD SLDR	*72**	2
82	830-065	SCREW-#6-32 X 1/2" TORX PH SS	*72**	2
84	2323110	NUT-HEX, 6-32 NYLOK SS	*72**	2
86	2203460	SCREW-#8 X 0.75 PPH HI-LO SS	*72**	2
90	490575-3	CABLE, ADPTR, 14 PIN, 110"-DSC	*DUAL SPECTRUM CHIRP*	1
	490634-1	CABLE, INT MSI- INSTINCT	*MEGA SIDE IMAGING*	1
92	2375444	SPLICER, 6-10 AWG, TIN PLTD		2
94	2994961	BAG ASM, CABLE,ADPTR, 490537-2	*490537-2* *MKR-MI-1* *DSC* *MSI*	1
98	2205413	SHRINK TUBE-3/4 X 2.25"		2
100	2205410	SHRINK TUBE-.472 ID X 4"		1
▲	2327138	MANUAL, TERROVA 3 BL		1
▲	2327140	MANUAL-INSTLL GUIDE T3 BL		1
▲	2207130	BRUSHLESS QS SETUP GUIDE		1
▲	2294950	INSTRUCTIONS,OBN & REMOTE PAIR		1
▲	2297165	MANUAL-DISCLAIMER,DNLOAD INFO		1
▲	2397115	GUIDE-QUICK REFERENCE iP 4.0		1

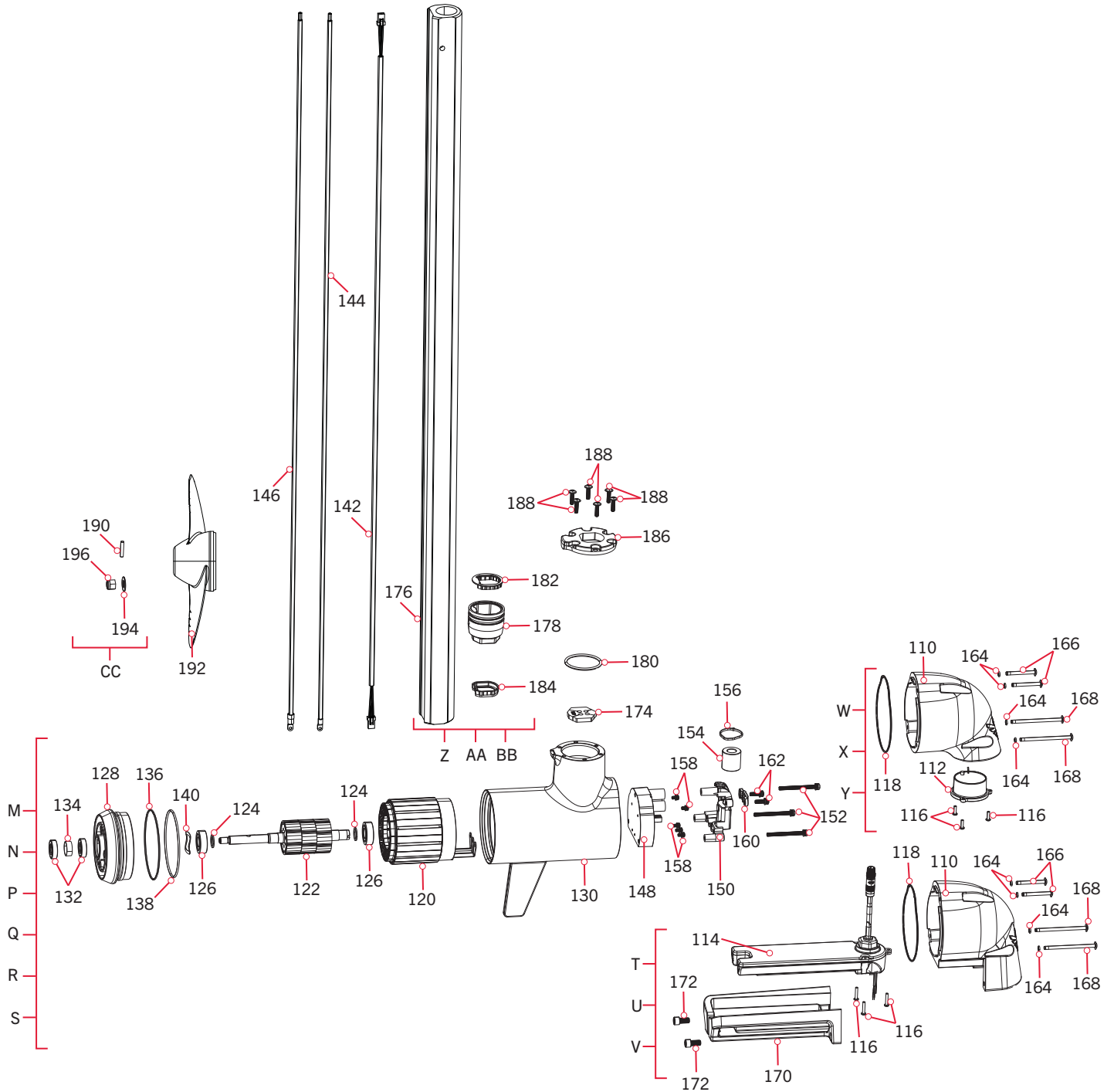
▲ Not shown on Parts Diagram.

* This part is included in an assembly and cannot be ordered individually.



TERROVA QUEST MOTOR

24/36 Volt 90/115 Thrust Motor Parts Diagram



PARTS DIAGRAM & PARTS LIST

▶ 24/36 Volt 90/115lb Thrust Motor Parts List

Assembly	Part #	Description	Notes	Quantity
M	2771060	MTR ASY 24/36V 90/115# DSC 45"	*45"* *DUAL SPECTRUM CHIRP*	1
N	2771062	MTR ASY 24/36V 90/115# DSC 60"	*60"* *DUAL SPECTRUM CHIRP*	1
P	2771063	MTR ASY 24/36V 90/115# DSC 72"	*72"* *DUAL SPECTRUM CHIRP*	1
Q	2771080	MTR ASY 24/36V 90/115# MSI 45"	*45"* *MEGA SIDE IMAGING*	1
R	2771082	MTR ASY 24/36V 90/115# MSI 60"	*60"* *MEGA SIDE IMAGING*	1
S	2771083	MTR ASY 24/36V 90/115# MSI 72"	*72"* *MEGA SIDE IMAGING*	1
T	2773072	MSI FRONT END 45" QUEST	*45"* *MEGA SIDE IMAGING*	1
U	2773074	MSI FRONT END 60" QUEST	*60"* *MEGA SIDE IMAGING*	1
V	2773075	MSI FRONT END 72" QUEST	*72"* *MEGA SIDE IMAGING*	1
W	2773031	DSC FRONT END 45" QUEST	*45"* *DUAL SPECTRUM CHIRP*	1
X	2773033	DSC FRONT END 60" QUEST	*60"* *DUAL SPECTRUM CHIRP*	1
Y	2773035	DSC FRONT END 72" QUEST	*72"* *DUAL SPECTRUM CHIRP*	1
Z	2991064	BL ASM FW DSC/MSI 45"U2,T3	*SHAFT* *45"*	1
AA	2991065A	BL SHAFT ASM 60" U2,T3 FLX	*SHAFT* *60"*	1
BB	2991066	BL SHAFT ASM 72" ULT, T3	*SHAFT* *72"*	1
CC	2992604	BAG ASSM, PROP HARDWARE		1
Item	Part #	Description	Notes	Quantity
110	✘	FRONT ENDBELL, US3, FW	*DUAL SPECTRUM CHIRP*	1
	✘	FRONT ENDBELL, MSI, FW	*MEGA SIDE IMAGING*	1
112	✘	DSC XDUCER ASSY 62" HW T	*DUAL SPECTRUM CHIRP* *45"*	1
	✘	DSC XDUCER ASSY 73" HW T	*DUAL SPECTRUM CHIRP* *60"*	1
	✘	DSC XDUCER ASSY 86" HW T	*DUAL SPECTRUM CHIRP* *72"*	1
114	✘	BI MSI 67 FOR U2-440494-2	*MEGA SIDE IMAGING* *45"*	1
	✘	BUILT-IN MSI+ 79" FOR U2	*MEGA SIDE IMAGING* *60"*	1
	✘	BI MSI 91 FOR U2-440494-5	*MEGA SIDE IMAGING* *72"*	1
116	✘	SCREW-#6-32 X 1/2" TORX PHSS		3
118	880-032	SEAL-FRONT, BL MOTORS		1
120	✘	STATOR ASSEMBLY		1
122	✘	ROTOR ASSEMBLY		1
124	✘	WASHER BEARING		2
126	✘	BALL BEARING		2
128	✘	REAR ENDBELL, FW PAINT		1
130	✘	CENTER HSG, FW PAINT		1
132	✘	SEAL		2
134	✘	PAPER TUBE - SEAL BORE		1
136	✘	O-RING		1

▲ Not shown on Parts Diagram.

✘ This part is included in an assembly and cannot be ordered individually.

PARTS DIAGRAM & PARTS LIST

Item	Part #	Description	Notes	Quantity
138	✘ 701-016	O-RING		1
140	✘ 992-015	WASHER-WAVE		1
142	195-030	CABLE-COM 22GA TWST PAIR 62.38	*45**	1
	195-032	CABLE-COM 22GA TWST PAIR 76.25	*60**	1
	195-033	CABLE-COM 22 GA TWST PAIRS	*72**	1
144	640-470	LEADWIRE RED 8 AWG 64.88"	*45**	1
	640-472	LEADWIRE RED 8 AWG 78.75"	*60**	1
	640-483	LEADWIRE RED 6 AWG 90.13"	*72**	1
146	640-420	LEADWIRE BLK 8 AWG 64.88	*45**	1
	640-422	LEADWIRE BLK 8 AWG 78.75"	*60**	1
	640-433	LEADWIRE BLK 6 AWG 90.13"	*72**	1
148	2994130A	INVERTER ASM, 24/36V, BL	*DUAL SPECTRUM CHIRP*	1
	2994130	INVERTER ASM, 24/36V, BL	*MEGA SIDE IMAGING*	1
150	979-029	STRAIN RELIEF, BTM MACH		1
152	830-118	SCREW-DBL SEM M5X.8MMX60MM		3
154	2307318	FERRITE BEAD, BL		1
156	9953310	TIE WRAP-8.5"		1
158	830-120	SCREW-M4X .7X8 PPH ZPS		5
160	979-022	STRAIN RELIEF, TOP CAST		1
162	830-121	SCREW-M5 X .8X18 PPH ZPS		2
164	701-010	O-RING, SCREW		4
166	830-105	SCREW-FRONT, TOP, RAW, BL MTR		2
168	830-106	SCREW-FRONT, BTM RAW, BL MTR		2
170	792-030	GUARD-SONAR, MSI, FW PAINT	*MEGA SIDE IMAGING*	1
172	830-110	SCREW-5-16-18 X 5/8 SHCS SS	*MEGA SIDE IMAGING*	2
174	880-041	SEAL-WIRE, BL MTR, UNIV. CHIRP	*DUAL SPECTRUM CHIRP*	1
	880-040	SEAL-WIRE, BL MTR, MSI/MDI	*MEGA SIDE IMAGING*	1
176	✘	TUBE-1CM, BLK 45", 1.5 X .875	*45**	1
	✘	TUBE-1CM, BLK 60", 1.5 X .875	*60**	1
	✘	TUBE-3CM, BLK 72", 1.5X.875 CBOR	*72**	1
178	✘	PLUG, COMP SHAFT, PAINTED		1
180	2294630	O-RING, 226, 70 SHORE A		1
182	✘	SEAL-TOP SHAFT, BL, CLR		1
184	✘	SEAL-LWR SHAFT, BL, CLR		1
186	2296432A	PLATE, CLAMP, PAINTED		1
188	830-013	SCREW-M5 X .8 FSHCS SS CTD		6
190	2262659	PIN-DRIVE 1" X 3/16" SS 17-4		1
192	2321170	PROP, POWER REAMED		1
194	2091701	WASHER-PROP (LARGE) MAX101		1
196	2093101	NUT-PROP, NYLOC, LG, MX101 3/8 SS		1

▲ Not shown on Parts Diagram.

✘ This part is included in an assembly and cannot be ordered individually.

PARTS DIAGRAM & PARTS LIST

Steering Housing Parts List

Assembly	Part #	Description	Quantity
H	2997066	STEERING HOUSING ASM, FW	1
Item	Part #	Description	Quantity
200	✘	HSG-BTM, STRING,SW,BLK TERR	1
202	✘	PIN-DOWEL, 3/16 X 1/2, SS	4
204	✘	SEAL,STEERING HSG SPLIT	1
206	✘	GASKET,MOTOR HOUSING, STR	1
208	✘	BRG, 55 X 72 X 9MM, SSSL	1
210	✘	HSG,STERING TOP,SW,BLK TERR	1
212	✘	BUSHING, JFM-2023-11	1
214	✘	BUSHING,55MM, JFM-5560-50	1
216	✘	VENT FILTER, STEERING HOUSING	1
218	✘	SEAL, UMBRELLA	1
220	✘	SCREW-3/8-16 X 1.75 SHCS SSSL	4
222	✘	SCREW-1/4-20 X 1" SHCS SS	4
224	✘	MOUNT, LATCH PIN SPRING, RIGHT	1
226	✘	MOUNT, LATCH PIN SPRING, LEFT	1
228	✘	SEAL, OUTPUT	1
230	✘	RETAINING RING, 2 3/8"	1
232	✘	GREASE CAP BEARING	1
234	✘	PIN-LATCH, OVERMOLDED	1
236	✘	CLEVIS, LATCH PIN	2
238	✘	SPRING, LATCH PIN	2
240	✘	SHROUD,STR WIRE,FW w/MGNT	1
242	✘	SCREW-#8-32 X 3/8 MACHINE	2
244	✘	PLATE-BACKUP,STR WIRE	1
246	✘	SCREW-#6 X .375 PLASTITE SS	2
248	✘	SCREW-#8-32 X 1/2 (SS)	7
250	✘	GEAR, 30 TOOTH , PINION STR	1
252	✘	WASHER-FLAT #6 S/S	4
254	✘	SEAL,ID 12MM, OD 20MM, T 5MM	1
256	✘	SCREW-#6 X 1/2" THRD FORM,SSSL	6
258	✘	O-RING, 3/16 ID X 3/8 OD	4
260	✘	SCREW-M5X.8X12,FLANGED BTN HD	4
262	✘	COVER, STEER SENSOR GEARS	1
264	✘	GEAR-TRIM, 14T	1
266	✘	GEAR-STEER SENSOR, 51T	1

▲ Not shown on Parts Diagram.

✘ This part is included in an assembly and cannot be ordered individually.

PARTS DIAGRAM & PARTS LIST



Item	Part #	Description	Quantity
268	✘	MAGNET, 1/4 X 1/8	1
270	✘	SENSOR,STR,ROTATIONAL,I/T	1
272	✘	SEALING WASHER, RUBBER	4
274	✘	PLATE, MOTOR MNT, STEERING	1
276	✘	STEERING CORD ASM	1
278	✘	MOTOR, 24 VDC, 1:130 GEARBOX	1
280	✘	BUSHING, OUTPUT TUBE, LWR	2
282	✘	WASHER-THRUST, OUTPUT TUBE	1
284	✘	GEAR,78 TOOTH,OUTPUT TUBE	1
286	✘	HUB, STEERING STOP, ANODIZED	1
288	✘	OUTPUT TUBE, ANDIZED	1
290	✘	PIN-DOWEL, 1/4" X 5/8" SS	2
▲	✘	TIE WRAP-4" BLACK(#21041)	1
▲	✘	O-RING,-139,NOM ID 2.25,	1

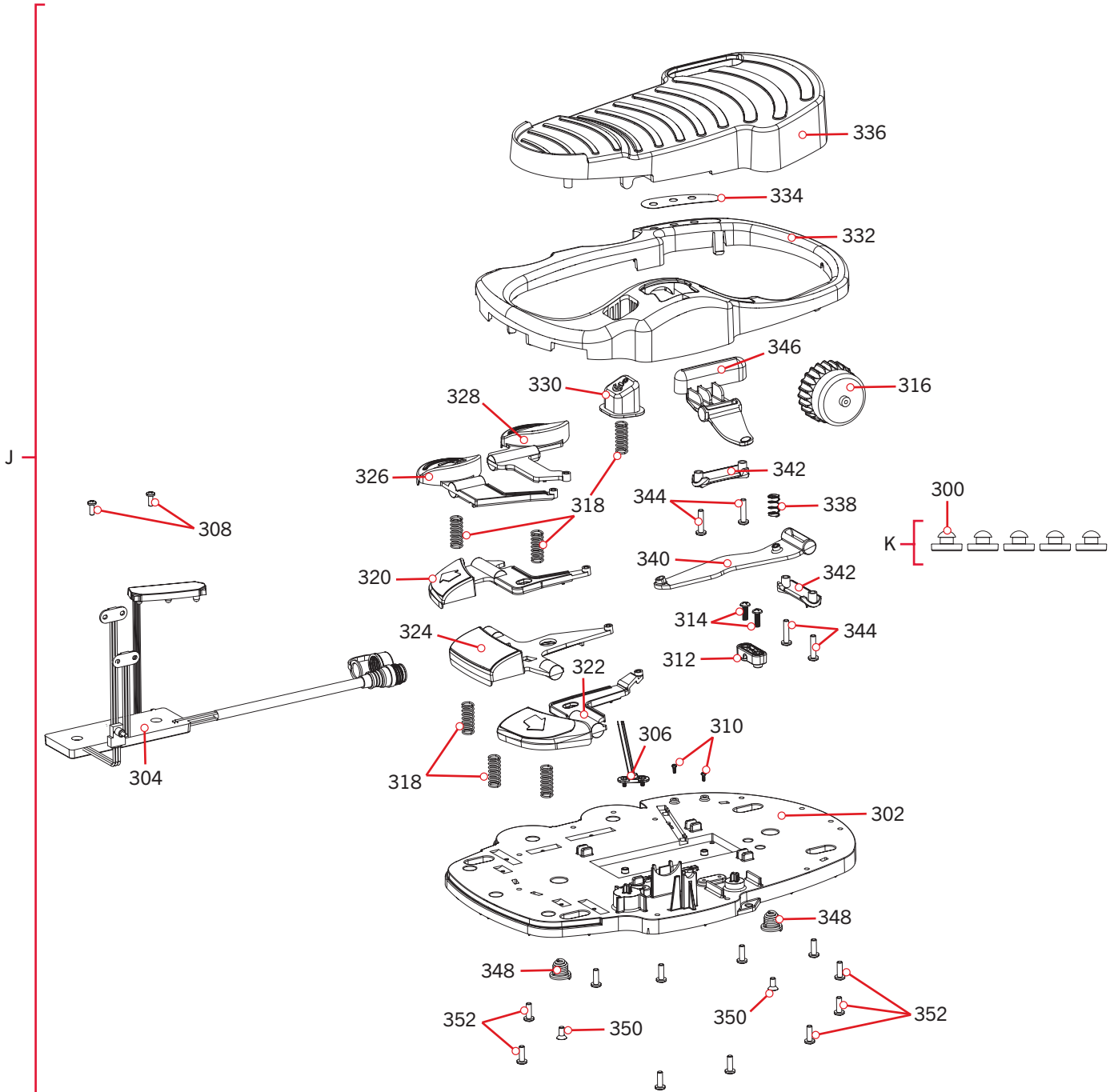
▲ Not shown on Parts Diagram.

✘ This part is included in an assembly and cannot be ordered individually.



TERROVA QUEST FOOT PEDAL

Foot Pedal Parts Diagram



PARTS DIAGRAM & PARTS LIST

Foot Pedal Parts List

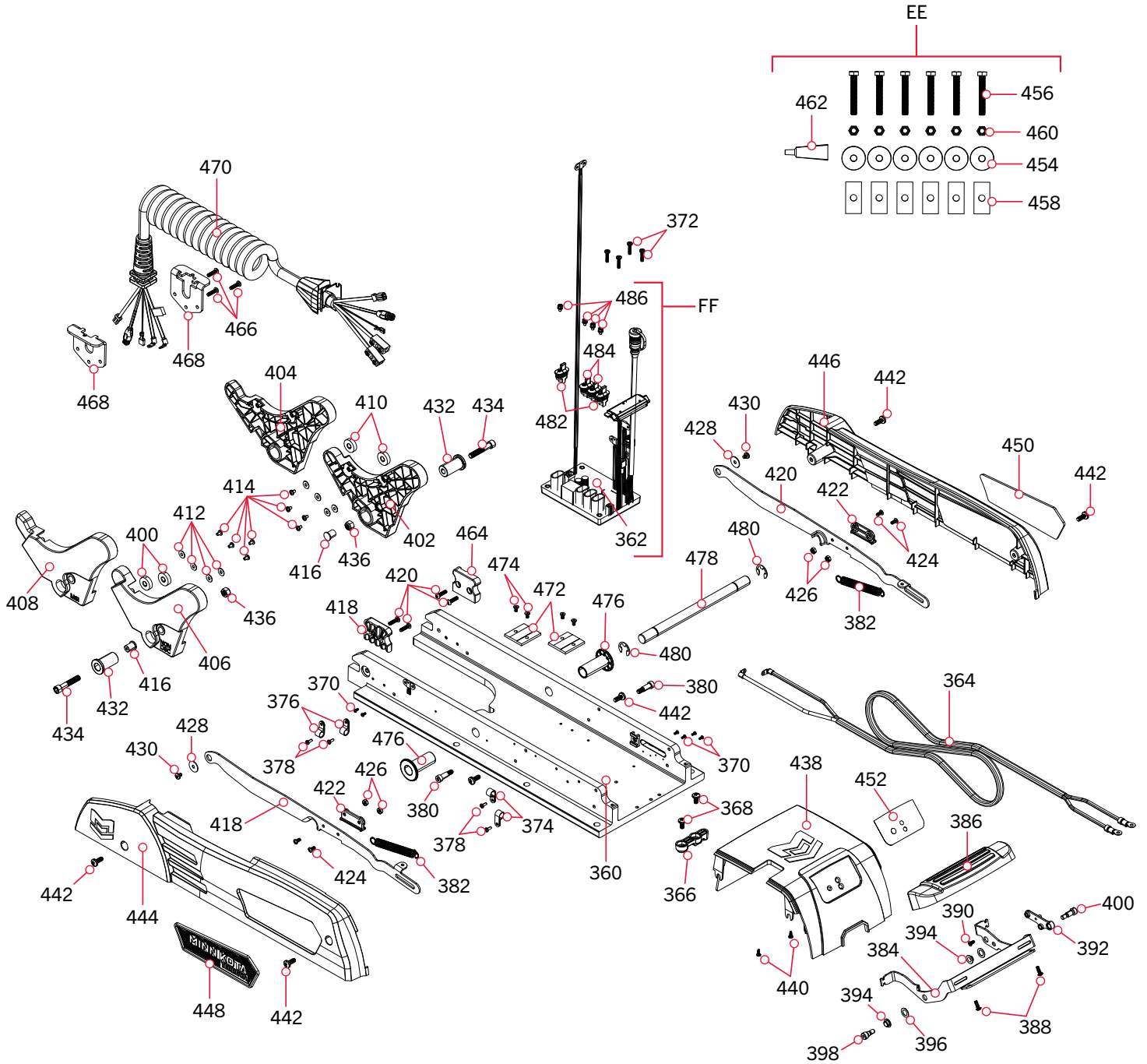
Assembly	Part #	Description	Quantity
J	2994735	FOOT PEDAL ASM, TRV 3 BL	1
K	2994859	BAG ASY-TERROVA/V2,RUB.BUMPERS	1
Item	Part #	Description	Quantity
300	2325110	PAD, FOOT PEDAL	5
302	2204501	BASE PLATE, FOOT PEDAL	1
304	✘	PCB ASM, FT PED,TERROVA 3	1
306	2373440	SCREW-#4-24 X 1/4 PHCR SS TY B	2
308	2372103	SCREW-#6-.375 PLASTITE SS	2
310	2302100	SCREW-#6-20 X 1/2 THD CUTS	2
312	2322900	STRAIN RELIEF, FOOT PEDAL	1
314	2372100	SCREW-#8-18 X 5/8 THD* (SS)	2
316	2320100	KNOB-SPEED, FOOT PEDAL	1
318	2322704	SPRING, LARGE SHORT SS	6
320	2323730	BUTTON, LEFT STEER, TERROVA	1
322	2323731	BUTTON, RGHT STEER, TERROVA	1
324	2323735	BUTTON, MOMENTARY, TERROVA	1
326	2323715	BUTTON,MOM/CON,FT PEDAL	1
328	2203730	BUTTON, OBN, FOOT PEDAL	1
330	2203720	BUTTON, SPOT LOCK,ULTERRA/TRRV	1
332	2320240	COVER,FT PEDAL,TERROVA 3 BL	1
334	2325654	DECAL, 3 LED INDICATORS,TRV3BL	1
336	2324401	PEDAL, HEEL/TOE, FOOT PEDAL	1
338	2322714	SPRING (LEE #LC-029E-4-S) SS	1
340	2328600	FLEX FINGER, FOOT PEDAL	1
342	2321300	CLAMP-LEFT, FT PEDAL	2
344	2223430	SCREW-#8x3/4 PPH,TYPE 25,SS	4
346	2323710	BUTTON,MOM LEFT,FT PEDAL	1
348	2322706	SPRING-BARREL SS	2
350	2323420	SCREW-#8-18 X 3/8" PFH SS TY B	2
352	2301310	SCREW-#8-18 X 1/2 (SS)*	11

▲ Not shown on Parts Diagram.

✘ This part is included in an assembly and cannot be ordered individually.

TERROVA QUEST MOUNT

Mount Parts Diagram



PARTS DIAGRAM & PARTS LIST

Mount Parts List

Assembly	Part #	Description	Notes	Quantity
EE	2994948	BAG ASM, INSTINCT, T3 BL HDW		1
FF	✘	TERROVA QUEST CONTROL BOARD		1
▲	2992372	STABILIZER BWMT ES TM w/CTN	*72**	1
Item	Part #	Description	Notes	Quantity
360	2321960	BASE PLATE, MACHINED, FW		1
362	2324065	PCBA, TERROVA 3 BRUSHLESS		1
364	2200625	LEADWIRE ASM, 8AWG, ULT 2		1
366	2202919	STRAIN RELIEF, POWER		1
368	2323405	SCREW-1/4-20 X 1/2" MCH SS		2
370	2203440	SCREW-#4-40 X 1/4 PPH SS		6
372	2373487	SCREW-#8-32 X 3/4" PPH MACH SS		4
374	2040721	CLAMP-CABLE 3/8"		2
376	2052510	CABLE CLAMP, 3/16", NYLON		3
378	2073414	SCREW-#6-32 X .375 PPH SS(N/A)		5
▲	9950433	TIE WRAP-4" BLACK(#21041)		2
▲	2323442	SCREW-#10-24X 3/8,BHCS,SS		2
380	2323504	BOLT-SHDR,5/16X1/2X1/4-20		2
382	2322717	SPRING, RAIL EXTENSION		2
384	2320410	RELEASE LEVER, FW		1
386	2320230	COVER,RELEASE LEVER,FW		1
388	2383446	SCREW-#8-16 X .50" PLASTITE SS		2
390	2323420	SCREW-#8-18 X 3/8" PFH SS TY B		1
392	2998615	CARRIER-MGNT,LEVER w/MGNT		1
394	2327335	BUSHING GFI-0506-03		2
396	2321709	WASHER, 3/8 FLAT, NYLON		2
398	2323503	BOLT-SHDR,5/16X1/4X1/4-20		1
400	2323504	BOLT-SHDR,5/16X1/2X1/4-20		1
402	2323955	RAMP, DSC/NS, RIGHT	*DUAL SPECTRUM CHIRP*	1
404	2323950	RAMP, MSI, RIGHT	*MEGA SIDE IMAGING*	1
406	2323956	RAMP, DSC/NS, LEFT	*DUAL SPECTRUM CHIRP*	1
408	2323951	RAMP, MSI, LEFT	*MEGA SIDE IMAGING*	1
▲	✘	BUSHING, RAMP PIVOT		2
410	2325115	PAD, RUBBER REST, BLACK		4
412	2321706	WASHER-FLAT #8 .50 OD/.188 SS		8
414	2323412	SCREW-#8-18 X .25 PPH SS TY B		8
416	2324706	INSERT-MOTOR RAMP,METAL,SS		2
418	2324220	SIDE RAIL,FORMED,LEFT,SS		1
420	2324221	SIDE RAIL,FORMED,RIGHT,SS		1

▲ Not shown on Parts Diagram.

✘ This part is included in an assembly and cannot be ordered individually.

PARTS DIAGRAM & PARTS LIST



Item	Part #	Description	Notes	Quantity
422	2323620	WEAR BAR, SIDE RAIL, PLSTC		2
424	2332100	SCREW-#8-32 X 3/8 MACHINE		4
426	2323111	NUT-#8-32 NYLOCK JAM SS		4
428	2321700	WASHER #10 SS		2
430	2323422	SCREW-#10-24 X .25" PPH SS MCH		2
432	2323300	PIVOT, RAMP		2
434	2323444	SCRW-5/16-18X1.75 SHCS,SS		2
436	2223100	NUT-5/16-18 NYLOCK S/S		2
438	2326555	HOUSING-CONTROL, BLACK		1
440	2372103	SCREW-#6 X .375 PLASTITE SS		2
442	2332104	SCREW-1/4-20 X 5/8 S/S		6
444	2323940	SIDEPLATE, LEFT, FW		1
446	2323945	SIDEPLATE, RIGHT, FW		1
448	2325535	DECAL, SIDEPLATE, LEFT FW		1
450	2325534	DECAL, SIDEPLATE, RIGHT FW		1
452	2325550	DECAL-PWR SWTCH, FW, BLK, T3		1
454	2321710	WASHER, RUBBER MOUNT		6
456	2323440	SCREW-3/8-16 X 2 1/2 HHCS SS		6
458	2371796	BACKUP BAR 3/16 X 1 X 2		6
460	2383122	NUT 3/8-16 NYLON INST LOCKNUT		6
462	2378608	ANTI SEIZE TUBE, 4CC, TALON		1
464	2323211	STOP-DEAD, DEPLOY		2
466	2383469	SCREW-#10-24 X 3/4, SS, BHCS		7
468	2320825	BRACKET, COIL CORD		2
▲	2322905	MOUNT, CABLE TIE		2
470	2991245	COIL CORD ASM 45" - 60"	*45"* *60"*	1
	2991246	COIL CORD ASM 72"	*72"*	1
472	2323210	STEERING STOP, UHMWPE		2
474	2323443	SCREW-#8-32X3/8, SS, BHCS		4
476	2207311	BUSHING, STEER HSG PIVOT		2
478	2322605	PIN, PIVOT		1
480	2373013	E-RING, EXTERNAL SS .625, HNDL		2
482	2294610	SEAL, PCBA TRMNL GRAY .215		2
484	2294611	SEAL, PCBA TERMNL BLK .270		2
486	830-123	SCREW-M4X .7X8MM HEX DBL		4
▲	2377179	INSTR.SHEET, MKA-60 STABILIZER	*72"*	1
▲	2325560	DECAL, STOW, TERROVA 3 BL		1
▲	2006819	LABEL-CARTON "CAUTION HEAVY"		1

▲ Not shown on Parts Diagram.

* This part is included in an assembly and cannot be ordered individually.

