

SERVICE & MAINTENANCE

PROP REPLACEMENT

TOOLS AND RESOURCES REQUIRED >

- 9/16" Deep Well Socket

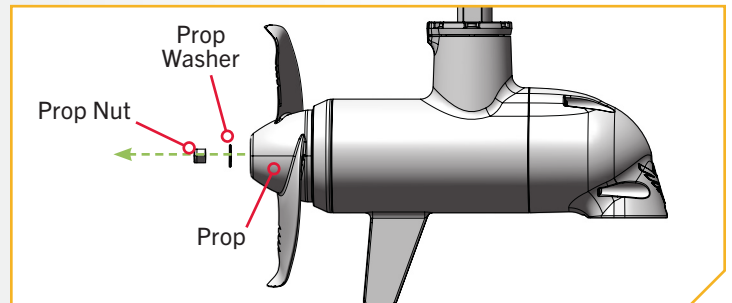
INSTALLATION >

1

CAUTION

Disconnect the motor from all sources of power before beginning any prop work or maintenance.

- Hold the Prop and loosen the Prop Nut with a 9/16" Deep Well Socket.
- Remove the Prop Nut and Prop Washer.



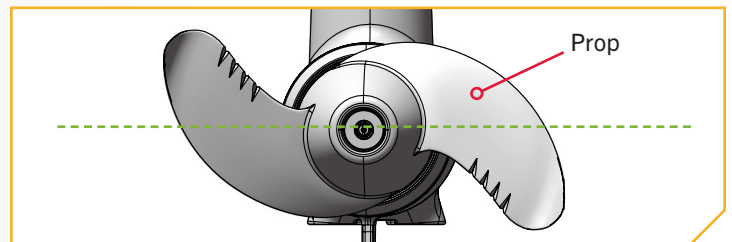
NOTICE: If the Drive Pin is sheared or broken, hold the Armature Shaft stationary with a Flat-Blade Screwdriver by pressing into the slot on the end of the shaft while loosening the Prop Nut.

2

- Turn the old Prop so it is horizontal and pull it straight off. If the Drive Pin falls out, push it back in.

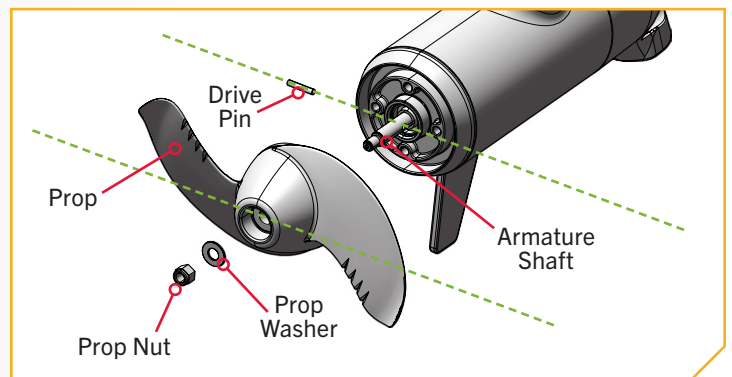
CAUTION

If the Prop does not readily slide off, take care not to bend the Armature Shaft. Pull the Prop evenly off the Armature Shaft.



3

- Align the new Prop so it is horizontal and parallel with the Drive Pin. Slide the Prop onto the Armature Shaft and Drive Pin until it is seated against the lower unit.
- Reinstall the Prop Washer and Prop Nut onto the end of the Armature Shaft. While holding the Prop horizontal, tighten the Prop Nut with a 9/16" Deep Well Socket. Tighten the Prop Nut to 25-35 in-lbs.

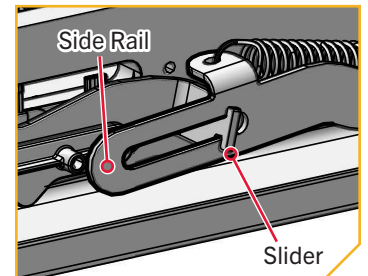
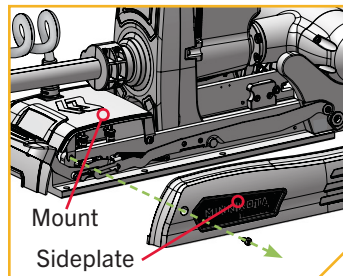


CAUTION

Do not over-tighten as this can damage the Prop.

GENERAL MAINTENANCE


- After use, the entire motor should be rinsed with freshwater. This series of motor is not equipped for saltwater exposure.
- The composite shaft requires periodic cleaning and lubrication for proper retraction and deployment. A coating of an aqueous-based silicone spray will improve operation.
- The Prop must be inspected and cleaned of weeds and fishing line after every use. Fishing line and weeds can get behind the Prop, damage the seals and allow water to enter the motor.
- Verify that the Prop Nut is secure each time the motor is used.
- The Prop is designed to provide operation with very high efficiency. The leading edge of the blades must be kept smooth to maintain top performance of the Prop. If the edges are rough or nicked from use, restore them to smoothness by sanding them with fine sandpaper.
- To prevent accidental damage during transportation or storage, disconnect the battery whenever the motor is off of the water. For prolonged storage, lightly coat all metal parts with an aqueous-based silicone spray.
- When using lithium batteries, it is best to charge them right before using them. Storing lithium batteries in a fully charged state for long periods of time may cause damage to the batteries. Check with the battery manufacturer for specifics on the battery.
- For maximum battery life of all other batteries except lithium, recharge the battery(s) as soon as possible after use. For maximum motor performance, restore the battery to full charge prior to use. Check with the battery manufacturer for specifics on the battery.
- Keep battery terminals clean with fine sandpaper or emery cloth.
- Stow the motor after each use to allow water to drain from the Steering Housing. Water that sits in the steering housing when the motor is not in use may cause damage.
- When the motor is deployed, periodically check that the area between the Mount and Steering Housing is clean and free of debris. The Mount contains pads that contact the Steering Housing when stowed. If debris such as dirt, gravel, weeds, or fishing line enters this space, it may create an obstruction on the pads and prevent a secure stow. Periodically clean this space to ensure a secure stow.
- Periodically check the Side Rails on the Mount for debris. Remove the left and right Sideplates using a #3 Phillips Screwdriver to access the Side Rails. Clear any dirt or debris around the Slider, then apply a water-based lubricant to the Slider. Grease the Slider on both the right and left sides of the Mount.
- Periodically check the motor for loose hardware and damaged components.



GENERAL MAINTENANCE



TROUBLESHOOTING

1. Motor fails to run or lacks power:
 - Check the state of the batteries and replace if necessary. Low battery voltage will cause an error.
 - Check battery connections for proper polarity.
 - Make sure terminals are clean and corrosion-free. Use fine sandpaper or emery cloth to clean terminals.
 - Check battery water level. Add water if needed.
2. Motor loses power after a short running time:
 - Check battery charge. If low, restore to full charge.
3. Motor is difficult to stow:
 - Lubricate the composite shaft.
 - For 72" shaft motors, check that the Stow Lock Collar is in the unlocked position. If difficult to stow even when unlocked, loosen the tension on the Stow Lock Collar.
4. You experience Prop vibration during normal operation:
 - Replace the Prop.
 - Remove and rotate the Prop 180°. See removal instructions in the Prop Replacement section.
5. Experiencing interference with your fish finder:
 - You may, in some applications, experience interference in your fish finder display. We recommend that you use a separate deep cycle marine battery system for your trolling motor. If problems still persist, call our service department at 1-800-227-6433.
6. Experiencing flashing red System Status  LED on the Indicator Panel:
 - The trolling motor is communicating that there is an error. Check the Wireless Remote Diagnostic menu for an error code, then refer to the Wireless Remote owner's manual for information on error codes and solutions. Correct the error and cycle power to the trolling motor. If the LED continues to flash red, please contact the Minn Kota service department.

NOTICE: For all other malfunctions, visit an Authorized Service Center. You can search for an Authorized Service Center in your area by visiting minnkota.johnsonoutdoors.com, or by calling our customer service number at 800-227-6433.

FOR FURTHER TROUBLESHOOTING AND REPAIR

FOR FURTHER TROUBLESHOOTING AND REPAIR

We offer several options to help you troubleshoot and/or repair your product. Please read through the options listed below.



Buy Parts Online

You can buy parts online directly from our website at minnkota.johnsonoutdoors.com. From screws to sideplates, you can order replacement parts for your Minn Kota products.



Frequently Asked Questions

Find answers to general inquiries, battery and rigging installation, and networking scenarios. We have FAQs available on our website at minnkota.johnsonoutdoors.com to help answer all of your Minn Kota questions.



Call Us (for U.S. and Canada)

Our consumer service representatives are available Monday – Friday between 7:00 a.m. – 4:30 p.m. CST at 800-227-6433. If you are calling to order parts, please have the 11-character serial number from your product, specific part numbers, and credit card information available. This will help expedite your call and allow us to provide you with the best consumer service possible. You can reference the parts list located in your manual to identify the specific part numbers.



Contact Us

You can contact our consumer service department with questions regarding your Minn Kota products. To inquire, visit minnkota.johnsonoutdoors.com.



Authorized Service Centers

Minn Kota has over 800 authorized service centers in the United States and Canada where you can purchase parts or get your products repaired. Please visit our website to locate a service center in your area.



Scan to visit
Minn Kota
service online.

COMPLIANCE STATEMENTS

ENVIRONMENTAL COMPLIANCE STATEMENT

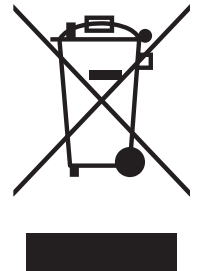
It is the intention of JOME to be a responsible corporate citizen, operating in compliance with known and applicable environmental regulations, and a good neighbor in the communities where we make or sell our products.

WEEE DIRECTIVE

EU Directive 2002/96/EC “Waste of Electrical and Electronic Equipment Directive (WEEE)” impacts most distributors, sellers, and manufacturers of consumer electronics in the European Union. The WEEE Directive requires the producer of consumer electronics to take responsibility for the management of waste from their products to achieve environmentally responsible disposal during the product life cycle.

WEEE compliance may not be required in your location for electrical & electronic equipment (EEE), nor may it be required for EEE designed and intended as fixed or temporary installation in transportation vehicles such as automobiles, aircraft, and boats. In some European Union member states, these vehicles are considered outside of the scope of the Directive, and EEE for those applications can be considered excluded from the WEEE Directive requirement.

This symbol (WEEE wheelee bin) on product indicates the product must not be disposed of with other household refuse. It must be disposed of and collected for recycling and recovery of waste EEE. Johnson Outdoors Inc. will mark all EEE products in accordance with the WEEE Directive. It is our goal to comply in the collection, treatment, recovery, and environmentally sound disposal of those products; however, these requirements do vary within European Union member states. For more information about where you should dispose of your waste equipment for recycling and recovery and/or your European Union member state requirements, please contact your dealer or distributor from which your product was purchased.



DISPOSAL

Minn Kota motors are not subject to the disposal regulations EAG-VO (electric devices directive) that implements the WEEE directive. Nevertheless never dispose of your Minn Kota motor in a garbage bin but at the proper place of collection of your local town council.

Never dispose of battery in a garbage bin. Comply with the disposal directions of the manufacturer or his representative and dispose of them at the proper place of collection of your local town council.

REGULATORY COMPLIANCE INFORMATION

› Advanced GPS Navigation

For regulatory information on motors that come factory installed with Advanced GPS Navigation, please refer to the Advanced GPS Navigation Owner’s Manual online at minnkota.johnsonoutdoors.com.



FCC COMPLIANCE

This device complies with Part 15 of the FCC rules. **Operation is subject to the following two conditions:**

1. This device may not cause harmful interference.
2. This device must accept any interference that may be received, including interference that may cause undesired operation.

Changes or modifications not expressly approved by Johnson Outdoors Marine Electronics, Inc. could void the user’s authority to operate this equipment.

NOTICE: This equipment has been tested and found to comply with the limits for a Class B digital device, pursuant to part 15 of the FCC Rules. These limits are designed to provide reasonable protection against harmful interference in a residential installation. This equipment generates, uses and can radiate radio frequency energy and, if not installed and used in accordance with the instructions, may cause harmful interference to radio communications. However, there is no guarantee that interference will not occur in a particular installation. **If this equipment does cause harmful interference to radio or television reception, which can be determined by turning the equipment off and on, the user is encouraged to try to correct the interference by one or more of the following measures:**

- Reorient or relocate the receiving antenna.
- Increase the separation between the equipment and receiver.
- Connect the equipment into an outlet on a circuit different from that to which the receiver is connected.
- Consult the dealer or an experienced radio/TV technician for help.

INDUSTRY CANADA COMPLIANCE

This product meets the applicable Industry Canada technical specifications. Operation is subject to the following two conditions: (1) this device may not cause interference, and (2) this device must accept any interference, including interference that may cause undesired operation of the device.

ENVIRONMENTAL RATINGS

Ambient operating temperature range: -10C to 50C

Ambient operating humidity range: 5% to 95%

Maximum operating altitude: 10,000 feet



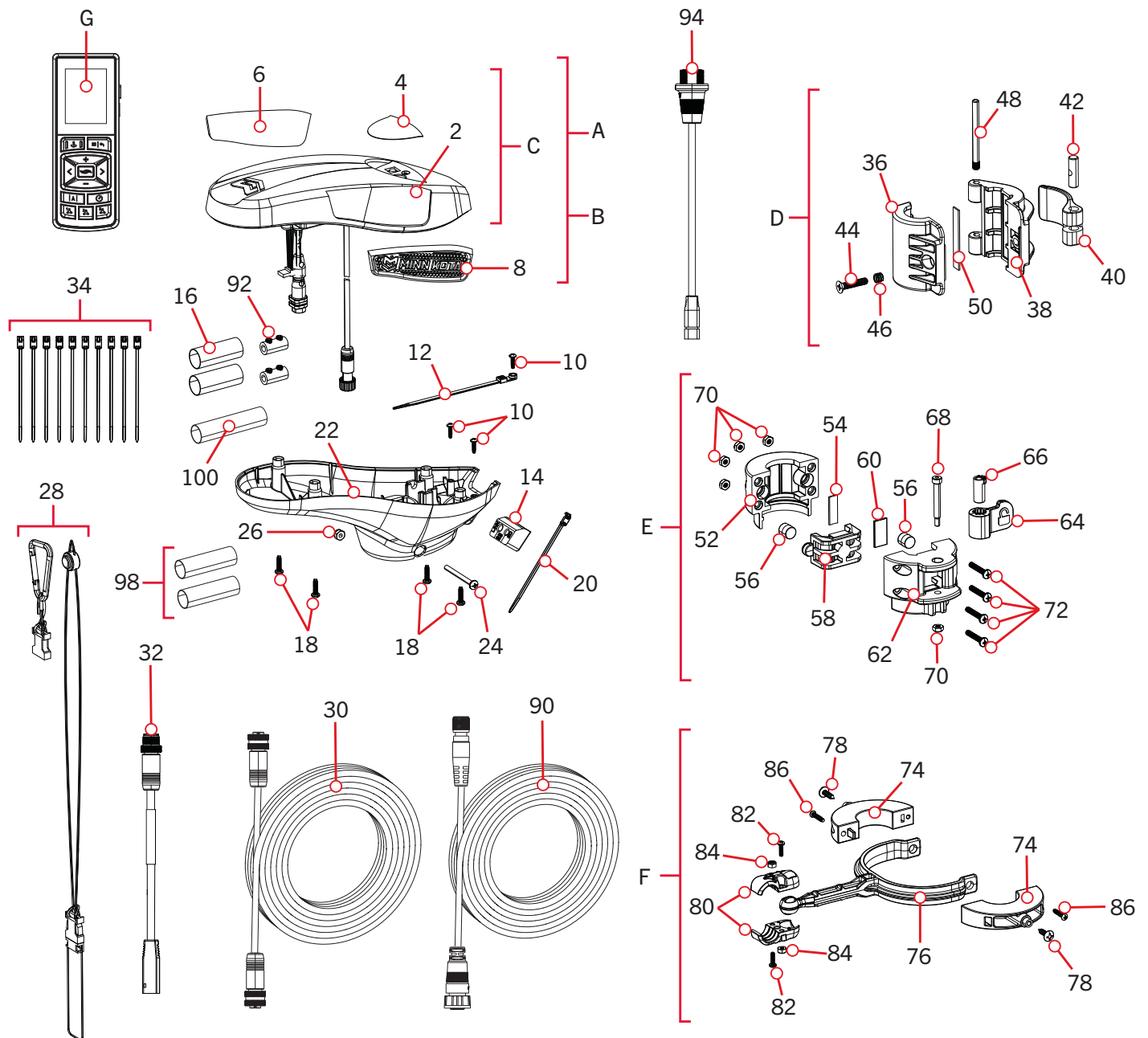
PARTS DIAGRAM & PARTS LIST

TERROVA QUEST - 90/115 THRUST - 24/36 VOLT - 45"/60"/72" SHAFT

The parts diagram and parts list provide Minn Kota® WEEE compliance disassembly instructions. For more information about where you should dispose of your waste equipment for recycling and recovery and/or your European Union member state requirements, please contact your dealer or distributor from which your product was purchased. Tools required, but not limited to: flat head screwdriver, Phillips screwdriver, socket set, pliers, wire cutters.

TERROVA QUEST CONTROL HEAD >

> Control Head Parts Diagram



PARTS DIAGRAM & PARTS LIST

Control Head Parts List

Assembly	Part #	Description	Notes	Quantity
A	2774190	CONTROLLER KIT 4.0 QUEST FW	*DUAL SPECTRUM CHIRP*	1
B	2774191	CONTRLLR KT 4.0 QUEST FW w/GND	*MEGA SIDE IMAGING*	1
C	2770247	CTRL BOX COVER QUEST FW	*COVER & DECALS*	1
D	2991530	CLAMP COLLAR ASSEMBLY		1
E	✘	STOW LOCK COLLAR ASSEMBLY	*72**	1
F	✘	COIL CORD SLIDER ASSEMBLY	*72**	1
G	411690-1	TROLLING MOTOR REMOTE		1
Item	Part #	Description	Notes	Quantity
2	2200220	CONTROL BOX COVER, BLACK		1
4	2395560	DECAL,PUSH BTN,ULT FX,BLK		1
6	2205540	DECAL, CTRL BOX MK RIGHT FW		1
8	2205545	DECAL, CTRL BOX MK LEFT FW		1
10	2203441	SCREW-#6 X 1/2" THRD FORM,SSTL		3
12	2206302	TIE WRAP,SCREW MOUNT 6.3"		1
14	2206711	PLUG, RUBBER, 2D	*DUAL SPECTRUM CHIRP*	1
	2206710	PLUG, RUBBER, DI/SI	*MEGA SIDE IMAGING*	1
16	2205412	SHRINK TUBE-.75 ID X 2"		2
18	2372100	SCREW-#8-18 X 5/8 THD* (SS		4
20	2206301	TIE WRAP, LOW PROFILE 8"		1
22	2202520	CONTROL BOX BASE, ULT/UTX FW		1
24	2263406	SCREW-#10-24 X 2" S/S PPH		1
26	2333101	NUT-HEX #10-24 UNC-2B NYL SS		1
28	2390802	LANYARD w/CARABINER IP RMT U2		1
30	490384-4	CABLE, ETHERNET (M12-M12), 30'		1
32	490380-1	CABLE, ETHERNET PIGTAIL-700 HD		1
34	2996300	BAG ASM, TIE WRAPS, LOW PRO 4"		1
36	2291530	CLAMP COLLAR, BOLT SIDE		1
38	2291535	CLAMP COLLAR, CAM SIDE		1
40	2297200	LEVER, CAM LOCK		1
42	2322615	PIN,CAM LOCK,DEPTH COLLAR		1
44	2323401	SCREW-1/4-28X1 1/4 PFH		1
46	2062720	SPRING,DEPTH COLLAR,TRAXX		1
48	2292617	PIN, HINGE		1
50	2295110	PAD, FRICTION		1
52	2321535	COLLAR-STOW SPRING SIDE	*72**	1
54	2325120	PAD-FRICTION, SPRING SIDE	*72**	1
56	2322707	SPRING SILICONE RUBBER	*72**	2
58	2323010	RING-PRESSURE,STOW COLLAR	*72**	1

▲ Not shown on Parts Diagram.

✘ This part is included in an assembly and cannot be ordered individually.

PARTS DIAGRAM & PARTS LIST



Item	Part #	Description	Notes	Quantity
60	2325121	PAD-FRICTION, CAM SIDE	*72**	1
62	2321536	COLLAR-STOW, CAM SIDE	*72**	1
64	2327910	CAM ARM, STOW COLLAR	*72**	1
66	2327330	BUSHING, CAM ARM	*72**	1
68	2322635	BOLT,SHLDER ¼X1½X10-24 SS	*72**	1
70	2323112	NUT-#10-24 NYLOCK JAM SS	*72**	5
72	2323413	SCREW-#10-24X1 1/8 NYLOCK	*72**	4
74	2201530	COLLAR HALF, COIL CORD	*72**	2
76	2201531	COLLAR ARM, COIL CORD	*72**	1
78	2203424	SCREW-#10-12 x.75 PTH SS	*72**	2
80	2200860	CLAMP-BALL,COIL CORD SLDR	*72**	2
82	830-065	SCREW-#6-32 X 1/2" TORX PH SS	*72**	2
84	2323110	NUT-HEX, 6-32 NYLOK SS	*72**	2
86	2203460	SCREW-#8 X 0.75 PPH HI-LO SS	*72**	2
90	490575-3	CABLE, ADPTR, 14 PIN, 110"-DSC	*DUAL SPECTRUM CHIRP*	1
	490634-1	CABLE, INT MSI- INSTINCT	*MEGA SIDE IMAGING*	1
92	2375444	SPLICER, 6-10 AWG, TIN PLTD		2
94	2994961	BAG ASM, CABLE,ADPTR, 490537-2	*490537-2* *MKR-MI-1* *DSC* *MSI*	1
98	2205413	SHRINK TUBE-3/4 X 2.25"		2
100	2205410	SHRINK TUBE-.472 ID X 4"		1
▲	2327138	MANUAL, TERROVA 3 BL		1
▲	2327140	MANUAL-INSTLL GUIDE T3 BL		1
▲	2207130	BRUSHLESS QS SETUP GUIDE		1
▲	2294950	INSTRUCTIONS,OBN & REMOTE PAIR		1
▲	2297165	MANUAL-DISCLAIMER,DNLOAD INFO		1
▲	2397115	GUIDE-QUICK REFERENCE iP 4.0		1

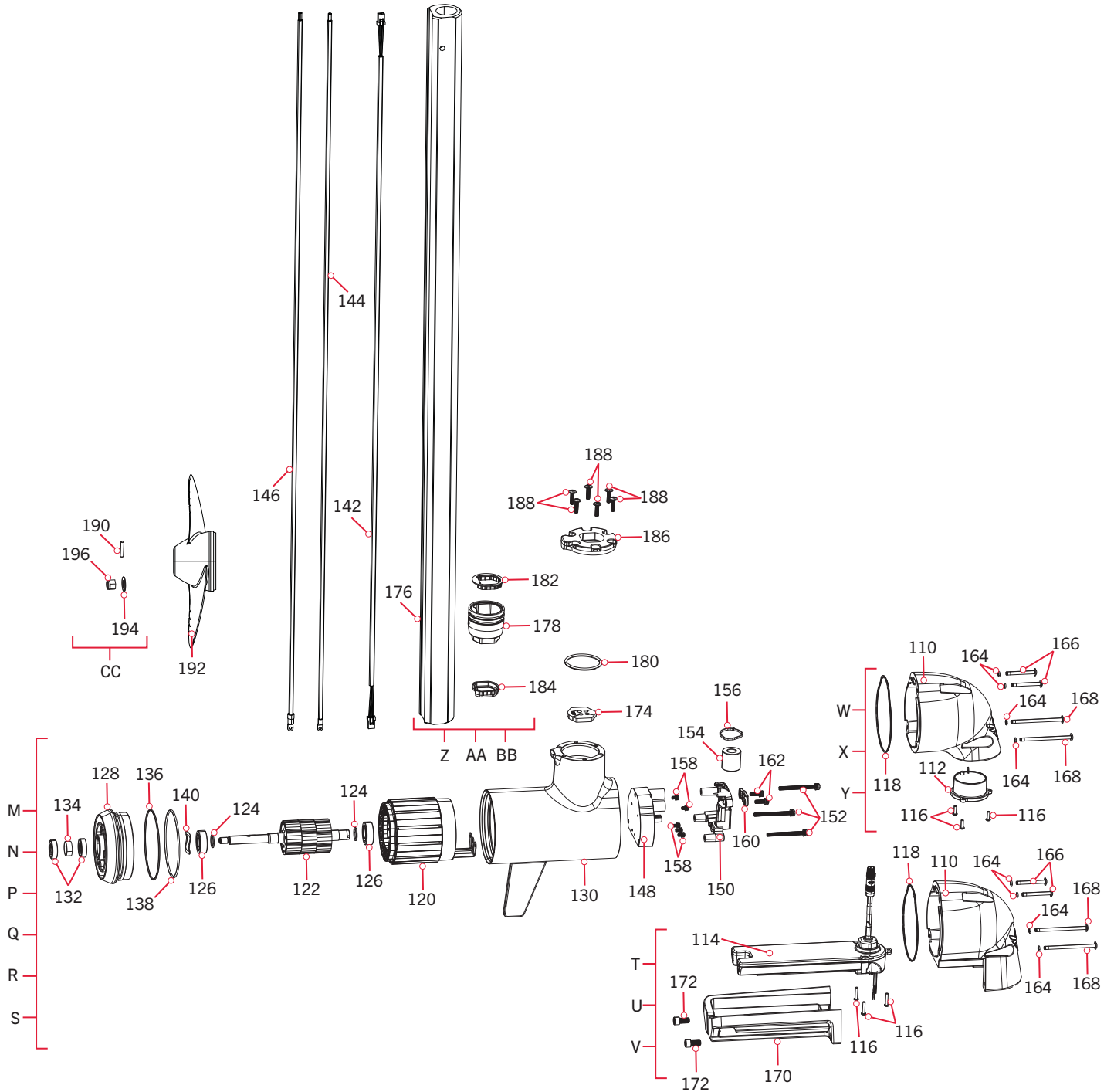
▲ Not shown on Parts Diagram.

* This part is included in an assembly and cannot be ordered individually.



TERROVA QUEST MOTOR >

> 24/36 Volt 90/115 Thrust Motor Parts Diagram



PARTS DIAGRAM & PARTS LIST

▶ 24/36 Volt 90/115lb Thrust Motor Parts List

Assembly	Part #	Description	Notes	Quantity
M	2771060	MTR ASY 24/36V 90/115# DSC 45"	*45"* *DUAL SPECTRUM CHIRP*	1
N	2771062	MTR ASY 24/36V 90/115# DSC 60"	*60"* *DUAL SPECTRUM CHIRP*	1
P	2771063	MTR ASY 24/36V 90/115# DSC 72"	*72"* *DUAL SPECTRUM CHIRP*	1
Q	2771080	MTR ASY 24/36V 90/115# MSI 45"	*45"* *MEGA SIDE IMAGING*	1
R	2771082	MTR ASY 24/36V 90/115# MSI 60"	*60"* *MEGA SIDE IMAGING*	1
S	2771083	MTR ASY 24/36V 90/115# MSI 72"	*72"* *MEGA SIDE IMAGING*	1
T	2773072	MSI FRONT END 45" QUEST	*45"* *MEGA SIDE IMAGING*	1
U	2773074	MSI FRONT END 60" QUEST	*60"* *MEGA SIDE IMAGING*	1
V	2773075	MSI FRONT END 72" QUEST	*72"* *MEGA SIDE IMAGING*	1
W	2773031	DSC FRONT END 45" QUEST	*45"* *DUAL SPECTRUM CHIRP*	1
X	2773033	DSC FRONT END 60" QUEST	*60"* *DUAL SPECTRUM CHIRP*	1
Y	2773035	DSC FRONT END 72" QUEST	*72"* *DUAL SPECTRUM CHIRP*	1
Z	2991064	BL ASM FW DSC/MSI 45"U2,T3	*SHAFT* *45"*	1
AA	2991065A	BL SHAFT ASM 60" U2,T3 FLX	*SHAFT* *60"*	1
BB	2991066	BL SHAFT ASM 72" ULT, T3	*SHAFT* *72"*	1
CC	2992604	BAG ASSM, PROP HARDWARE		1
Item	Part #	Description	Notes	Quantity
110	✘	FRONT ENDBELL, US3, FW	*DUAL SPECTRUM CHIRP*	1
	✘	FRONT ENDBELL, MSI, FW	*MEGA SIDE IMAGING*	1
112	✘	DSC XDUCER ASSY 62" HW T	*DUAL SPECTRUM CHIRP* *45"*	1
	✘	DSC XDUCER ASSY 73" HW T	*DUAL SPECTRUM CHIRP* *60"*	1
	✘	DSC XDUCER ASSY 86" HW T	*DUAL SPECTRUM CHIRP* *72"*	1
114	✘	BI MSI 67 FOR U2-440494-2	*MEGA SIDE IMAGING* *45"*	1
	✘	BUILT-IN MSI+ 79" FOR U2	*MEGA SIDE IMAGING* *60"*	1
	✘	BI MSI 91 FOR U2-440494-5	*MEGA SIDE IMAGING* *72"*	1
116	✘	SCREW-#6-32 X 1/2" TORX PHSS		3
118	880-032	SEAL-FRONT, BL MOTORS		1
120	✘	STATOR ASSEMBLY		1
122	✘	ROTOR ASSEMBLY		1
124	✘	WASHER BEARING		2
126	✘	BALL BEARING		2
128	✘	REAR ENDBELL, FW PAINT		1
130	✘	CENTER HSG, FW PAINT		1
132	✘	SEAL		2
134	✘	PAPER TUBE - SEAL BORE		1
136	✘	O-RING		1

▲ Not shown on Parts Diagram.

✘ This part is included in an assembly and cannot be ordered individually.

PARTS DIAGRAM & PARTS LIST

Item	Part #	Description	Notes	Quantity
138	✘ 701-016	O-RING		1
140	✘ 992-015	WASHER-WAVE		1
142	195-030	CABLE-COM 22GA TWST PAIR 62.38	*45**	1
	195-032	CABLE-COM 22GA TWST PAIR 76.25	*60**	1
	195-033	CABLE-COM 22 GA TWST PAIRS	*72**	1
144	640-470	LEADWIRE RED 8 AWG 64.88"	*45**	1
	640-472	LEADWIRE RED 8 AWG 78.75"	*60**	1
	640-483	LEADWIRE RED 6 AWG 90.13"	*72**	1
146	640-420	LEADWIRE BLK 8 AWG 64.88	*45**	1
	640-422	LEADWIRE BLK 8 AWG 78.75"	*60**	1
	640-433	LEADWIRE BLK 6 AWG 90.13"	*72**	1
148	2994130A	INVERTER ASM, 24/36V, BL	*DUAL SPECTRUM CHIRP*	1
	2994130	INVERTER ASM, 24/36V, BL	*MEGA SIDE IMAGING*	1
150	979-029	STRAIN RELIEF, BTM MACH		1
152	830-118	SCREW-DBL SEM M5X.8MMX60MM		3
154	2307318	FERRITE BEAD, BL		1
156	9953310	TIE WRAP-8.5"		1
158	830-120	SCREW-M4X .7X8 PPH ZPS		5
160	979-022	STRAIN RELIEF, TOP CAST		1
162	830-121	SCREW-M5 X .8X18 PPH ZPS		2
164	701-010	O-RING, SCREW		4
166	830-105	SCREW-FRONT, TOP, RAW, BL MTR		2
168	830-106	SCREW-FRONT, BTM RAW, BL MTR		2
170	792-030	GUARD-SONAR, MSI, FW PAINT	*MEGA SIDE IMAGING*	1
172	830-110	SCREW-5-16-18 X 5/8 SHCS SS	*MEGA SIDE IMAGING*	2
174	880-041	SEAL-WIRE, BL MTR, UNIV. CHIRP	*DUAL SPECTRUM CHIRP*	1
	880-040	SEAL-WIRE, BL MTR, MSI/MDI	*MEGA SIDE IMAGING*	1
176	✘	TUBE-1CM, BLK 45", 1.5 X .875	*45**	1
	✘	TUBE-1CM, BLK 60", 1.5 X .875	*60**	1
	✘	TUBE-3CM, BLK 72", 1.5X.875 CBOR	*72**	1
178	✘	PLUG, COMP SHAFT, PAINTED		1
180	2294630	O-RING, 226, 70 SHORE A		1
182	✘	SEAL-TOP SHAFT, BL, CLR		1
184	✘	SEAL-LWR SHAFT, BL, CLR		1
186	2296432A	PLATE, CLAMP, PAINTED		1
188	830-013	SCREW-M5 X .8 FSHCS SS CTD		6
190	2262659	PIN-DRIVE 1" X 3/16" SS 17-4		1
192	2321170	PROP, POWER REAMED		1
194	2091701	WASHER-PROP (LARGE) MAX101		1
196	2093101	NUT-PROP, NYLOC, LG, MX101 3/8 SS		1

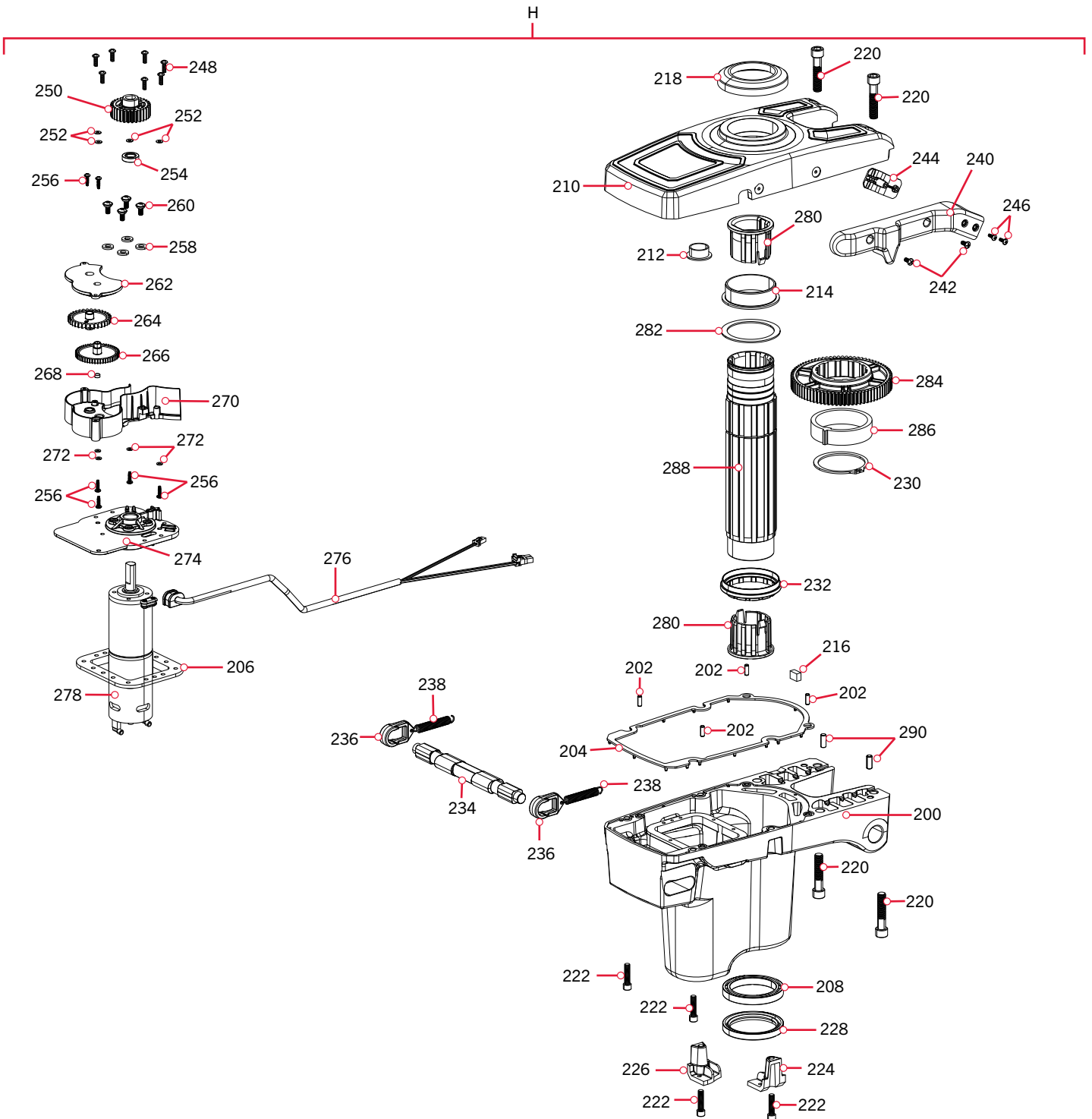
▲ Not shown on Parts Diagram.

✘ This part is included in an assembly and cannot be ordered individually.

PARTS DIAGRAM & PARTS LIST

TERROVA QUEST STEERING HOUSING

Steering Housing Parts Diagram



PARTS DIAGRAM & PARTS LIST

Steering Housing Parts List

Assembly	Part #	Description	Quantity
H	2997066	STEERING HOUSING ASM, FW	1
Item	Part #	Description	Quantity
200	✘	HSG-BTM, STRING,SW,BLK TERR	1
202	✘	PIN-DOWEL, 3/16 X 1/2, SS	4
204	✘	SEAL,STEERING HSG SPLIT	1
206	✘	GASKET,MOTOR HOUSING, STR	1
208	✘	BRG, 55 X 72 X 9MM, SSSL	1
210	✘	HSG,STERING TOP,SW,BLK TERR	1
212	✘	BUSHING, JFM-2023-11	1
214	✘	BUSHING,55MM, JFM-5560-50	1
216	✘	VENT FILTER, STEERING HOUSING	1
218	✘	SEAL, UMBRELLA	1
220	✘	SCREW-3/8-16 X 1.75 SHCS SSSL	4
222	✘	SCREW-1/4-20 X 1" SHCS SS	4
224	✘	MOUNT, LATCH PIN SPRING, RIGHT	1
226	✘	MOUNT, LATCH PIN SPRING, LEFT	1
228	✘	SEAL, OUTPUT	1
230	✘	RETAINING RING, 2 3/8"	1
232	✘	GREASE CAP BEARING	1
234	✘	PIN-LATCH, OVERMOLDED	1
236	✘	CLEVIS, LATCH PIN	2
238	✘	SPRING, LATCH PIN	2
240	✘	SHROUD,STR WIRE,FW w/MGNT	1
242	✘	SCREW-#8-32 X 3/8 MACHINE	2
244	✘	PLATE-BACKUP,STR WIRE	1
246	✘	SCREW-#6 X .375 PLASTITE SS	2
248	✘	SCREW-#8-32 X 1/2 (SS)	7
250	✘	GEAR, 30 TOOTH , PINION STR	1
252	✘	WASHER-FLAT #6 S/S	4
254	✘	SEAL,ID 12MM, OD 20MM, T 5MM	1
256	✘	SCREW-#6 X 1/2" THRD FORM,SSSL	6
258	✘	O-RING, 3/16 ID X 3/8 OD	4
260	✘	SCREW-M5X.8X12,FLANGED BTN HD	4
262	✘	COVER, STEER SENSOR GEARS	1
264	✘	GEAR-TRIM, 14T	1
266	✘	GEAR-STEER SENSOR, 51T	1

▲ Not shown on Parts Diagram.

✘ This part is included in an assembly and cannot be ordered individually.

PARTS DIAGRAM & PARTS LIST



Item	Part #	Description	Quantity
268	✘	MAGNET, 1/4 X 1/8	1
270	✘	SENSOR,STR,ROTATIONAL,I/T	1
272	✘	SEALING WASHER, RUBBER	4
274	✘	PLATE, MOTOR MNT, STEERING	1
276	✘	STEERING CORD ASM	1
278	✘	MOTOR, 24 VDC, 1:130 GEARBOX	1
280	✘	BUSHING, OUTPUT TUBE, LWR	2
282	✘	WASHER-THRUST, OUTPUT TUBE	1
284	✘	GEAR,78 TOOTH,OUTPUT TUBE	1
286	✘	HUB, STEERING STOP, ANODIZED	1
288	✘	OUTPUT TUBE, ANDIZED	1
290	✘	PIN-DOWEL, 1/4" X 5/8" SS	2
▲	✘	TIE WRAP-4" BLACK(#21041)	1
▲	✘	O-RING,-139,NOM ID 2.25,	1

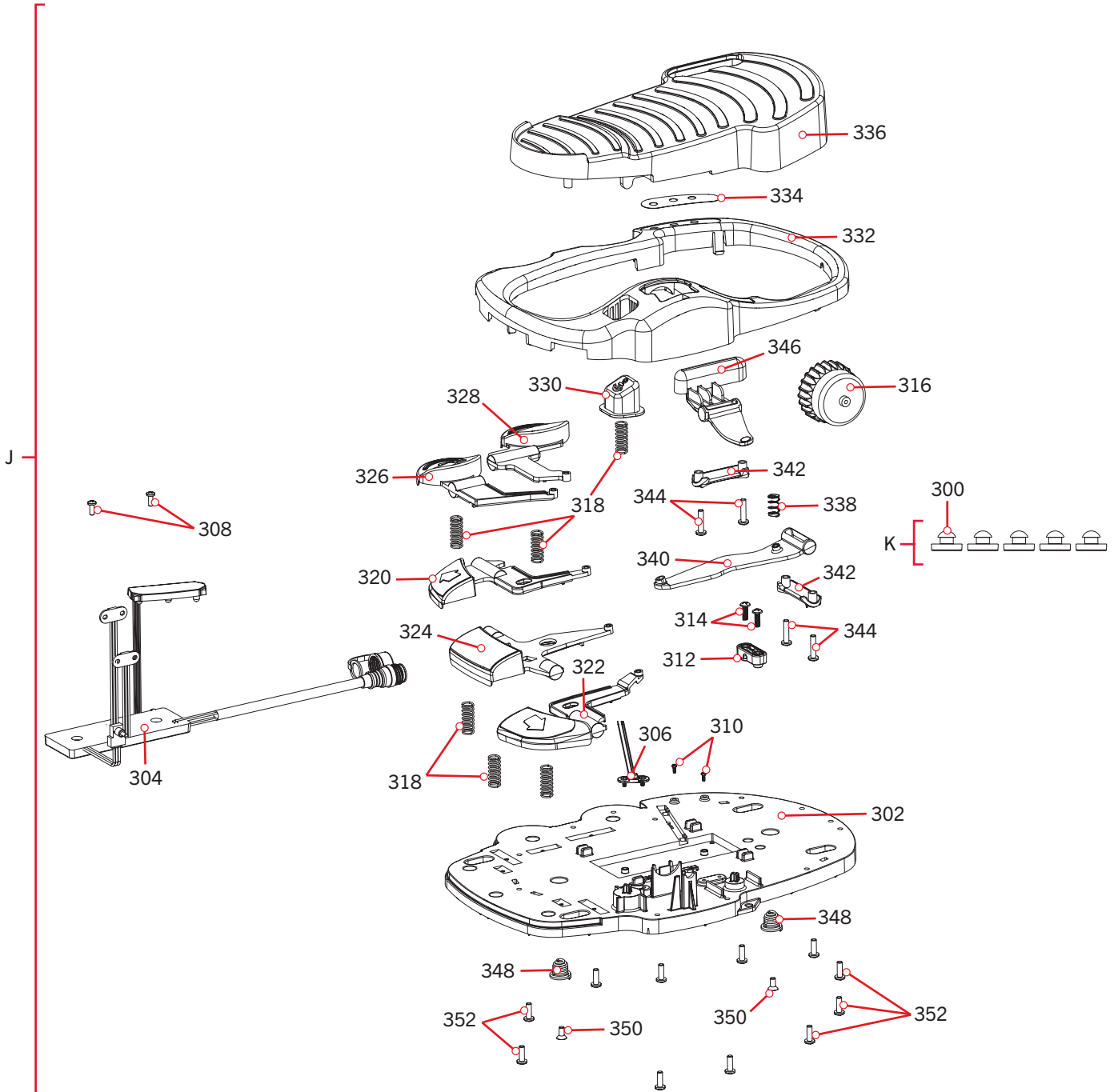
▲ Not shown on Parts Diagram.

✘ This part is included in an assembly and cannot be ordered individually.



TERROVA QUEST FOOT PEDAL

Foot Pedal Parts Diagram



PARTS DIAGRAM & PARTS LIST

Foot Pedal Parts List

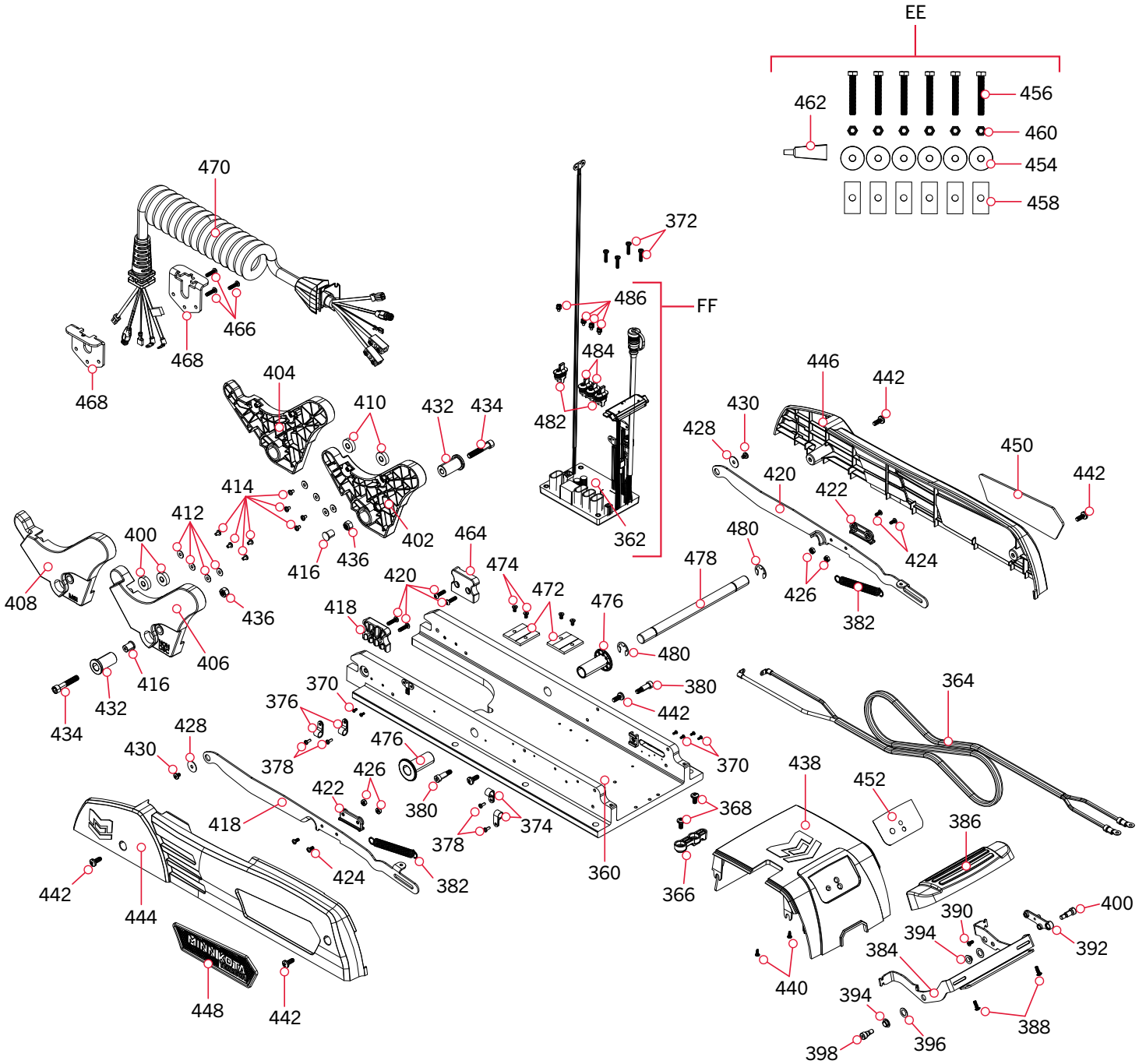
Assembly	Part #	Description	Quantity
J	2994735	FOOT PEDAL ASM, TRV 3 BL	1
K	2994859	BAG ASY-TERROVA/V2,RUB.BUMPERS	1
Item	Part #	Description	Quantity
300	2325110	PAD, FOOT PEDAL	5
302	2204501	BASE PLATE, FOOT PEDAL	1
304	✘	PCB ASM, FT PED,TERROVA 3	1
306	2373440	SCREW-#4-24 X 1/4 PHCR SS TY B	2
308	2372103	SCREW-#6-.375 PLASTITE SS	2
310	2302100	SCREW-#6-20 X 1/2 THD CUTS	2
312	2322900	STRAIN RELIEF, FOOT PEDAL	1
314	2372100	SCREW-#8-18 X 5/8 THD* (SS)	2
316	2320100	KNOB-SPEED, FOOT PEDAL	1
318	2322704	SPRING, LARGE SHORT SS	6
320	2323730	BUTTON, LEFT STEER, TERROVA	1
322	2323731	BUTTON, RGHT STEER, TERROVA	1
324	2323735	BUTTON, MOMENTARY, TERROVA	1
326	2323715	BUTTON,MOM/CON,FT PEDAL	1
328	2203730	BUTTON, OBN, FOOT PEDAL	1
330	2203720	BUTTON, SPOT LOCK,ULTERRA/TRRV	1
332	2320240	COVER,FT PEDAL,TERROVA 3 BL	1
334	2325654	DECAL, 3 LED INDICATORS,TRV3BL	1
336	2324401	PEDAL, HEEL/TOE, FOOT PEDAL	1
338	2322714	SPRING (LEE #LC-029E-4-S) SS	1
340	2328600	FLEX FINGER, FOOT PEDAL	1
342	2321300	CLAMP-LEFT, FT PEDAL	2
344	2223430	SCREW-#8x3/4 PPH,TYPE 25,SS	4
346	2323710	BUTTON,MOM LEFT,FT PEDAL	1
348	2322706	SPRING-BARREL SS	2
350	2323420	SCREW-#8-18 X 3/8" PFH SS TY B	2
352	2301310	SCREW-#8-18 X 1/2 (SS)*	11

▲ Not shown on Parts Diagram.

✘ This part is included in an assembly and cannot be ordered individually.

TERROVA QUEST MOUNT

Mount Parts Diagram



PARTS DIAGRAM & PARTS LIST

Mount Parts List

Assembly	Part #	Description	Notes	Quantity
EE	2994948	BAG ASM, INSTINCT, T3 BL HDW		1
FF	✘	TERROVA QUEST CONTROL BOARD		1
▲	2992372	STABILIZER BWMT ES TM w/CTN	*72**	1
Item	Part #	Description	Notes	Quantity
360	2321960	BASE PLATE, MACHINED, FW		1
362	2324065	PCBA, TERROVA 3 BRUSHLESS		1
364	2200625	LEADWIRE ASM, 8AWG, ULT 2		1
366	2202919	STRAIN RELIEF, POWER		1
368	2323405	SCREW-1/4-20 X 1/2" MCH SS		2
370	2203440	SCREW-#4-40 X 1/4 PPH SS		6
372	2373487	SCREW-#8-32 X 3/4" PPH MACH SS		4
374	2040721	CLAMP-CABLE 3/8"		2
376	2052510	CABLE CLAMP, 3/16", NYLON		3
378	2073414	SCREW-#6-32 X .375 PPH SS(N/A)		5
▲	9950433	TIE WRAP-4" BLACK(#21041)		2
▲	2323442	SCREW-#10-24X 3/8,BHCS,SS		2
380	2323504	BOLT-SHDR,5/16X1/2X1/4-20		2
382	2322717	SPRING, RAIL EXTENSION		2
384	2320410	RELEASE LEVER, FW		1
386	2320230	COVER,RELEASE LEVER,FW		1
388	2383446	SCREW-#8-16 X .50" PLASTITE SS		2
390	2323420	SCREW-#8-18 X 3/8" PFH SS TY B		1
392	2998615	CARRIER-MGNT,LEVER w/MGNT		1
394	2327335	BUSHING GFI-0506-03		2
396	2321709	WASHER, 3/8 FLAT, NYLON		2
398	2323503	BOLT-SHDR,5/16X1/4X1/4-20		1
400	2323504	BOLT-SHDR,5/16X1/2X1/4-20		1
402	2323955	RAMP, DSC/NS, RIGHT	*DUAL SPECTRUM CHIRP*	1
404	2323950	RAMP, MSI, RIGHT	*MEGA SIDE IMAGING*	1
406	2323956	RAMP, DSC/NS, LEFT	*DUAL SPECTRUM CHIRP*	1
408	2323951	RAMP, MSI, LEFT	*MEGA SIDE IMAGING*	1
▲	✘	BUSHING, RAMP PIVOT		2
410	2325115	PAD, RUBBER REST, BLACK		4
412	2321706	WASHER-FLAT #8 .50 OD/.188 SS		8
414	2323412	SCREW-#8-18 X .25 PPH SS TY B		8
416	2324706	INSERT-MOTOR RAMP,METAL,SS		2
418	2324220	SIDE RAIL,FORMED,LEFT,SS		1
420	2324221	SIDE RAIL,FORMED,RIGHT,SS		1

▲ Not shown on Parts Diagram.

✘ This part is included in an assembly and cannot be ordered individually.

PARTS DIAGRAM & PARTS LIST



Item	Part #	Description	Notes	Quantity
422	2323620	WEAR BAR, SIDE RAIL, PLSTC		2
424	2332100	SCREW-#8-32 X 3/8 MACHINE		4
426	2323111	NUT-#8-32 NYLOCK JAM SS		4
428	2321700	WASHER #10 SS		2
430	2323422	SCREW-#10-24 X .25" PPH SS MCH		2
432	2323300	PIVOT, RAMP		2
434	2323444	SCRW-5/16-18X1.75 SHCS,SS		2
436	2223100	NUT-5/16-18 NYLOCK S/S		2
438	2326555	HOUSING-CONTROL, BLACK		1
440	2372103	SCREW-#6 X .375 PLASTITE SS		2
442	2332104	SCREW-1/4-20 X 5/8 S/S		6
444	2323940	SIDEPLATE, LEFT, FW		1
446	2323945	SIDEPLATE, RIGHT, FW		1
448	2325535	DECAL, SIDEPLATE, LEFT FW		1
450	2325534	DECAL, SIDEPLATE, RIGHT FW		1
452	2325550	DECAL-PWR SWTCH, FW, BLK, T3		1
454	2321710	WASHER, RUBBER MOUNT		6
456	2323440	SCREW-3/8-16 X 2 1/2 HHCS SS		6
458	2371796	BACKUP BAR 3/16 X 1 X 2		6
460	2383122	NUT 3/8-16 NYLON INST LOCKNUT		6
462	2378608	ANTI SEIZE TUBE, 4CC, TALON		1
464	2323211	STOP-DEAD, DEPLOY		2
466	2383469	SCREW-#10-24 X 3/4, SS, BHCS		7
468	2320825	BRACKET, COIL CORD		2
▲	2322905	MOUNT, CABLE TIE		2
470	2991245	COIL CORD ASM 45" - 60"	*45"* *60"*	1
	2991246	COIL CORD ASM 72"	*72"*	1
472	2323210	STEERING STOP, UHMWPE		2
474	2323443	SCREW-#8-32X3/8, SS, BHCS		4
476	2207311	BUSHING, STEER HSG PIVOT		2
478	2322605	PIN, PIVOT		1
480	2373013	E-RING, EXTERNAL SS .625, HNDL		2
482	2294610	SEAL, PCBA TRMNL GRAY .215		2
484	2294611	SEAL, PCBA TERMNL BLK .270		2
486	830-123	SCREW-M4X .7X8MM HEX DBL		4
▲	2377179	INSTR.SHEET, MKA-60 STABILIZER	*72"*	1
▲	2325560	DECAL, STOW, TERROVA 3 BL		1
▲	2006819	LABEL-CARTON "CAUTION HEAVY"		1

▲ Not shown on Parts Diagram.

* This part is included in an assembly and cannot be ordered individually.



RECOMMENDED ACCESSORIES

› ON-BOARD & PORTABLE BATTERY CHARGERS

Stop buying new batteries and start taking care of the ones you've got. Many chargers can actually damage your battery over time – creating shorter run times and shorter overall life. Digitally controlled Minn Kota chargers are designed to provide the fastest charge that protect and extend battery life.



MK212PCL



MK210D



MK110PD

› TALON SHALLOW WATER ANCHOR

Talon is the only shallow water anchor with up to 15' of anchoring depth, multiple anchoring modes, and control from the bow, transom, console, remote or mobile device.



BUILT-IN WORK LIGHT

Lets you tie lines and work from the transom any time of day — or night. Includes both white and blue LED lights with three brightness settings.



BLUETOOTH® CONNECTIVITY

Lets you control Talon from your mobile device and easily update it. Also opens up communication to other control options.



UP TO 15' DEEP

Control more water and catch more fish with the first 15' shallow water anchor.



MORE CONTROL OPTIONS

- Control Panel
- Wireless Remote
- Mobile App
- Wireless Foot Switch
- Humminbird® Connectivity
- Advanced GPS Navigation System Remote



› MINN KOTA ACCESSORIES

We offer a wide variety of trolling motor accessories, including:

- 60-Amp Circuit Breaker
- Mounting Brackets
- Stabilizer Kits
- Boat Deck Reinforcement Kit
- Battery Connectors
- Battery Boxes
- Quick Connect Plugs



minnkota.johnsonoutdoors.com    

Part #2327138

Minn Kota Consumer & Technical Service
Johnson Outdoors Marine Electronics, Inc.
PO Box 8129
Mankato, MN 56001

121 Power Drive
Mankato, MN 56001
Phone (800) 227-6433
Fax (800) 527-4464



©2023 Johnson Outdoors Marine Electronics, Inc.
All rights reserved.

ECN 43768

Rev A

07/23