

# **TALON**

## **TILT BRACKET**

**Owner's Manual**

**Compatible with all Talon Shallow Water Anchor Models.**

# INTRODUCTION

## THANK YOU

Your new Talon Tilt Bracket is designed to allow easy tilting when needed. These conditions include low hanging obstacles or backing in and out of low overhead clearances. The tilt feature may also be used to extend your Talon for easy cleaning purposes.

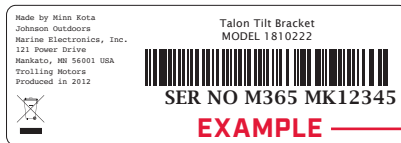
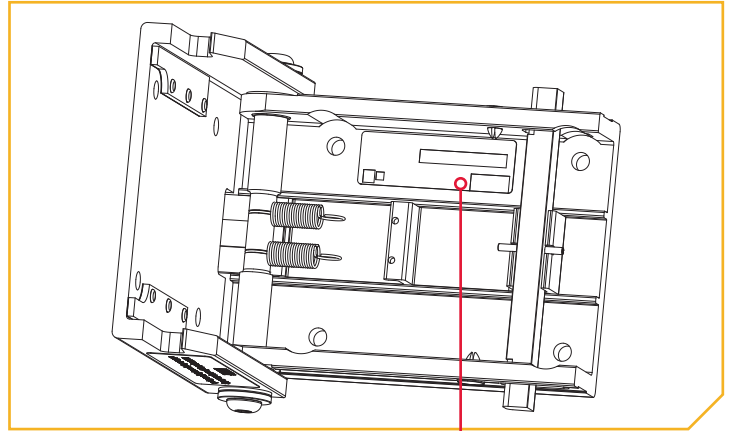
## REGISTRATION

Remember to keep your receipt and immediately register your Talon. To receive all the benefits of your product warranty please fill out and mail the registration card, you may also register your product online at [minnkotamotors.com](http://minnkotamotors.com).

## SERIAL NUMBER

Your Minn Kota 11-character serial number is very important. It helps to determine the specific model and year of manufacture. When contacting Consumer Service or registering your product, you will need to know your product's serial number. We recommend that you write the serial number down so that you have it available for future reference.

**NOTICE:** The serial number on your Tilt Bracket is located on the inside of the bracket, near the latch pin.



## TALON INFORMATION (For Consumer Reference Only)

Model: \_\_\_\_\_

Serial Number: \_\_\_\_\_

Purchase Date: \_\_\_\_\_

Store Where Purchased: \_\_\_\_\_

# SAFETY CONSIDERATIONS

Please thoroughly read the user manual. Follow all instructions and heed all safety considerations. Use of this product is only permitted for persons that have read and understood these instructions. Minors may use this product only under adult supervision.

## **WARNING**

The Talon Tilt Bracket is not designed to be used in the tilted (down) position while trailering, or while under way on the water. Any attempt to use this product in such a fashion could result in property damage or personal injury, and will void the warranty. Johnson Outdoors will not be held responsible for such damage or injury resulting from misuse of this product.

## **WARNING**

Your Talon **MUST** be kept in the upright and locked position while trailering, and while under main engine power at anything higher than idle speeds.

## **CAUTION**

The Talon Tilt Bracket is not a step. Do not stand on the Talon Tilt Bracket or use as a point of entry in or out of the water or boat.

## **CAUTION**

While performing work on the Talon or boat, make sure the weight of the Talon is supported when the Tilt Bracket is engaged to tilt the Talon. If the Talon is not supported, the Talon can fall and cause injury to people or property. Avoid the risk of injury by supporting the weight of the Talon.

## **CAUTION**

The Tilt Bracket may be slippery when wet. Take care to support the Talon when engaging the Tilt Bracket.

## **WARNING**

It is recommended to only use Johnson Outdoors approved accessories with your Talon. Using non-approved accessories including those used to mount or control your product may cause damage, unexpected operation and injury. Be sure to use the product and all approved accessories, including remotes, safely and in the manner directed to avoid accidental or unexpected operation. Keep all factory installed parts in place including motor, electronic and accessory covers, enclosures and guards. Failure to adhere to this warning may affect your warranty.

# WARRANTY

## WARRANTY ON MINN KOTA TALON TILT BRACKET

### MINN KOTA LIMITED FIVE-YEAR WARRANTY

Johnson Outdoors Marine Electronics, Inc. warrants to the original purchaser that the purchaser's entire Talon Tilt Bracket is free from defects in materials and workmanship appearing within five (5) years after the date of purchase. Johnson Outdoors Marine Electronics, Inc. will (at its option) either repair or replace free of charge, any parts found to be defective during the term of this warranty. Such repair or replacement shall be the sole and exclusive liability of Johnson Outdoors Marine Electronics, Inc. and the sole and exclusive remedy of the purchaser for breach of this warranty.

### TERMS AND CONDITIONS

These limited warranties do not apply to products used commercially, nor do they cover normal wear and tear, blemishes that do not affect the operation of the product, or damage caused by accidents, abuse, alteration, modification, misuse or improper care or maintenance. **DAMAGE CAUSED BY THE USE OF OTHER REPLACEMENT PARTS NOT MEETING THE DESIGN SPECIFICATIONS OF THE ORIGINAL PARTS WILL NOT BE COVERED BY THIS LIMITED WARRANTY.** The cost of normal maintenance or replacement parts which are not defective are the responsibility of the purchaser.

### MINN KOTA SERVICE INFORMATION

To obtain warranty service in the U.S., the product believed to be defective, and proof of original purchase (including the date of purchase), must be presented to a Minn Kota Authorized Service Center or to Minn Kota's factory service center in Mankato, MN. Any charges incurred for service calls, transportation or shipping/freight to/from the Minn Kota Authorized Service Center or factory, labor to haul out, remove, re-install or re-rig products removed for warranty service, or any other similar items are the sole and exclusive responsibility of the purchaser. Products purchased outside of the U.S. must be returned prepaid with proof of purchase (including the date of purchase and serial number) to any Authorized Minn Kota Service Center in the country of purchase. Warranty service can be arranged by contacting a Minn Kota Authorized Service Center or by contacting the factory at 1-800-227-6433 or email [service@minnkotamotors.com](mailto:service@minnkotamotors.com).

**THERE ARE NO EXPRESS WARRANTIES OTHER THAN THESE LIMITED WARRANTIES. IN NO EVENT SHALL ANY IMPLIED WARRANTIES (EXCEPT ON THE COMPOSITE SHAFT), INCLUDING ANY IMPLIED WARRANTIES OF MERCHANTABILITY OR FITNESS FOR PARTICULAR PURPOSE, EXTEND BEYOND TWO YEARS FROM THE DATE OF PURCHASE. IN NO EVENT SHALL JOHNSON OUTDOORS MARINE ELECTRONICS, INC. BE LIABLE FOR INCIDENTAL, CONSEQUENTIAL OR SPECIAL DAMAGES.**

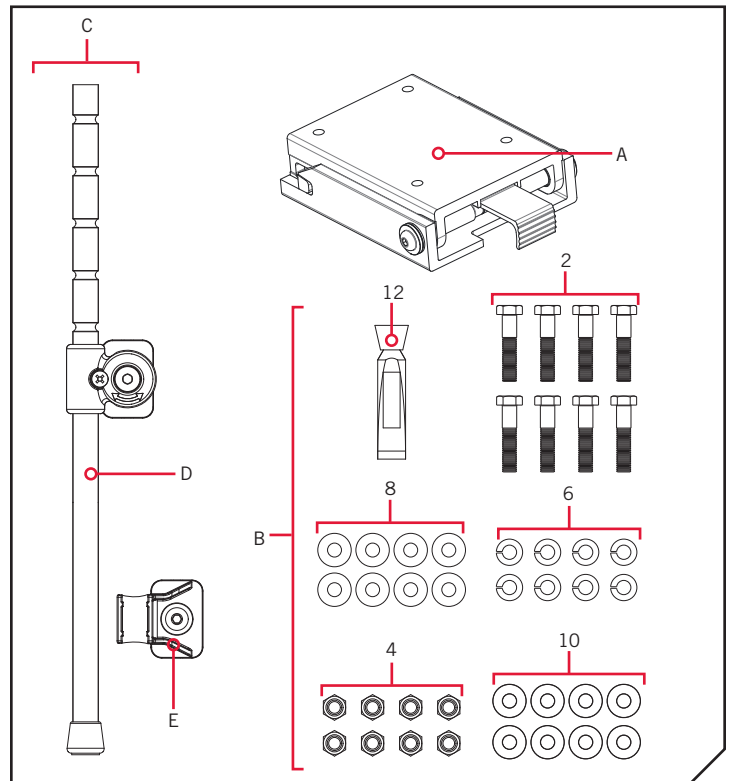
Some states do not allow limitations on how long an implied warranty lasts or the exclusion or limitation of incidental or consequential damages, so the above limitations and/or exclusions may not apply to you. This warranty gives you specific legal rights and you may also have other legal rights which vary from state to state.

# INSTALLATION

Item / Assembly	Part #	Description	Qty.
A	✳	TALON TILT BRACKET	1
B Includes 2-12	2994910	BAG ASSY, TALON TILT BRACKET	1
2	2373521	BOLT-5/16-18 X 1 1/2" HHCS SS	8
4	2223100	NUT-5/16-18 NYLOCK S/S	8
6	2371756	WASHER-LOCK, 5/16"	8
8	2261722	WASHER-FLAT 5/16 S/S	8
10	2371746	WASHER .750 X .3125 SS *THICK*	8
12	2378608	ANTI SEIZE TUBE, 4CC, TALON	1
14	2374976 ▲	INSTR.SHEET,TILT BRKT 8'10'12'	1
C	2992345	CRUTCH/PIVOT ASM, TILT BRACKET	1
D	2992345	DECK SUPPORT PIVOT & LEG W/ LEG TIP SUPPORT	1
E	✳	LEG TIP SUPPORT	1

✳ This part is included in an assembly and cannot be ordered individually.

▲ Not shown on Parts Diagram.



## TOOLS AND RESOURCES REQUIRED

- 1/4" Allen Wrench
- 1/2" Box End Wrench
- 1/2" Deep Well Socket
- Hand Saw
- 7/32" Allen Wrench
- 9/16" Box End Wrench
- #2 Phillips Screwdriver
- Ratchet

## MOUNTING CONSIDERATIONS

Before mounting your Talon Tilt Bracket, please give consideration to the following:

1. Your new Talon Tilt Bracket is designed to allow for easy tilting when needed. These conditions include low hanging obstacles or backing in and out of low overhead clearances. The tilt feature may also be used to extend your Talon for easy cleaning purposes.

## WARNING

The Talon Tilt Bracket is not designed to be used in the tilted (down) position while trailering, or while under way on the water. Any attempt to use this product in such a fashion could result in property damage or personal injury, and will void the warranty. Johnson Outdoors will not be held responsible for such damage or injury resulting from misuse of this product.

# INSTALLATION

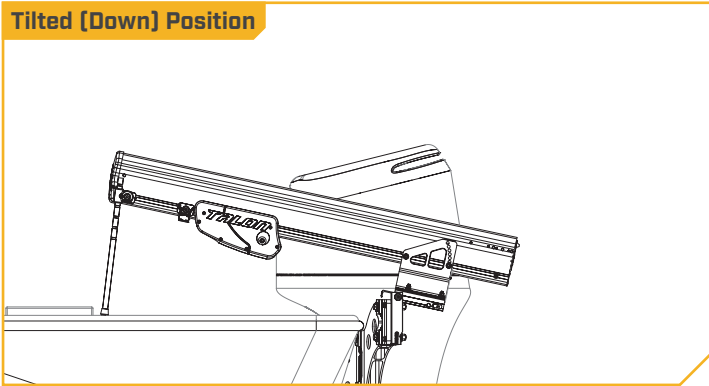
2. The Talon Tilt Bracket can only be installed with the use of a Talon Adapter Bracket (Pontoon Bracket 1810225, Jack Plate 1810340 or sandwich style Adapter Brackets 1810302 for Port or 1810303 for Starboard) to ensure proper clearances at the pivot point. Direct transom mount applications will not have proper clearance.

## WARNING

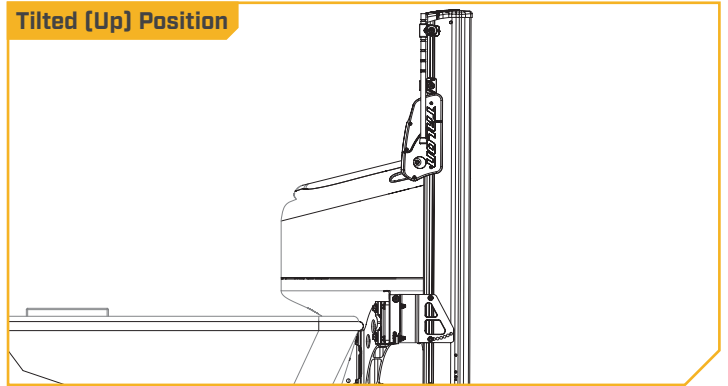
Your Talon MUST be kept in the upright and locked position while trailering, and while under main engine power at anything higher than idle speeds.

### Complete Typical Installation

Tilted (Down) Position



Tilted (Up) Position



### INSTALLATION

### Mounting the Tilt Bracket

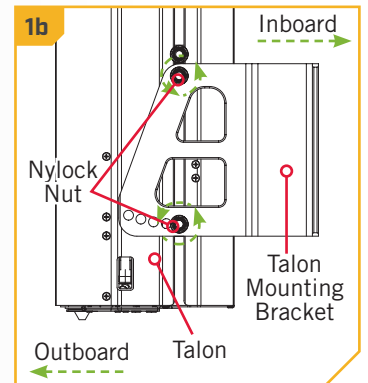
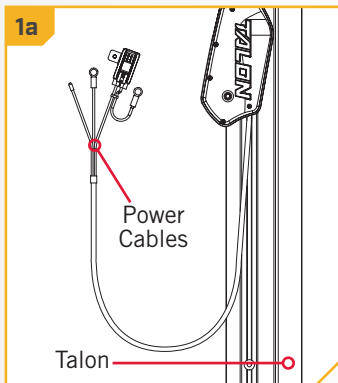
- 1** a. Disconnect the Talon from power before beginning the installation.

## WARNING

To avoid electric shock or unexpected Talon operation, make sure the Talon is not connected to a power source.

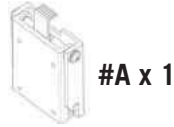
- b. Remove the Talon from the Talon Mounting Bracket by loosening the 4 Nylock Nuts that hold the Talon in place. Do not remove the nuts, only loosen them. It may be necessary to have a second person holding the Talon while the Nylock Nuts are being loosened.
- c. Lift the Talon out of the Mounting Bracket and set it aside.

**NOTICE:** It may be necessary to have a second person help with this installation.



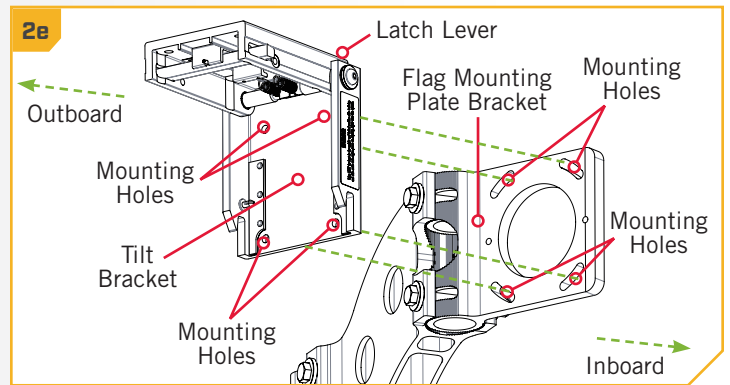
## 2

### ITEM(S) NEEDED



#A x 1

- d. If the Mounting Bracket is already mounted to an adapter bracket, remove the Mounting Bracket from it. Any hardware that was holding the Mounting Bracket to an adapter bracket should be discarded. Do not reuse the old hardware.
- e. Take the Tilt Bracket (Assembly #A) and align it with the Mounting Holes on the Flag Mounting Plate Bracket. The Tilt Bracket should be oriented so that the Latch Lever is positioned upward and facing inboard.



## 3

### ITEM(S) NEEDED



#2 x 4



#6 x 4



#8 x 4



#10 x 4



#4 x 4



#12 x 1

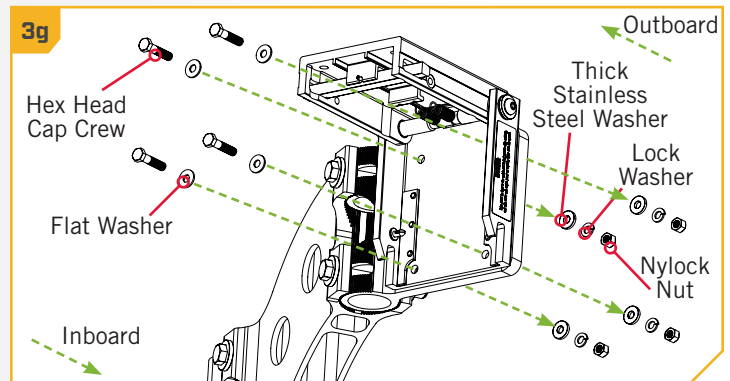
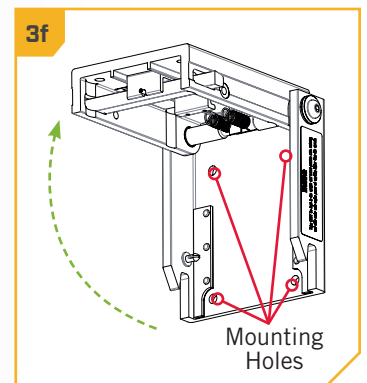
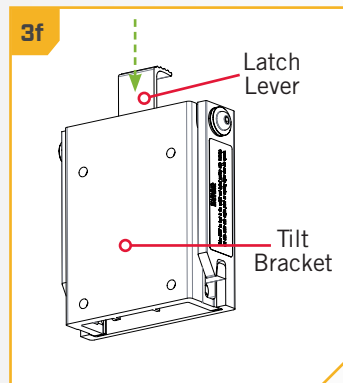
- f. Push in the Latch Lever to open the Tilt Bracket. Take four 5/16-18 Hex Head Cap Crews (Item #2) and place one 5/16" Flat Washer (Item #8) on each. With the Tilt Bracket in the open position and aligned with the Flag Mounting Plate Bracket, put one Bolt in each of the four Mounting Holes to join the two pieces.

## ⚠ CAUTION

Watch for pinch points between the Talon Tilt Bracket and the Tilt Bracket Arm when installing and using the bracket.

- g. Take four .750 X .3125 Thick Stainless Steel Washers (Item #10), four Lock Washers (Item #6) and four Nylock Nuts (Item #4) and place anti-seize (Item #12) on all of the hardware. Place one Stainless Steel Washer, followed by a locking washer and Nylock Nut on the end of each bolt.

**NOTICE:** To prevent seizing of the stainless steel hardware, do not use high speed installation tools. Applying an anti-seize will help prevent seizing.



# INSTALLATION

4

## ITEM(S) NEEDED



#2 x 4



#6 x 4



#8 x 4



#10 x 4



#4 x 4



#12 x 1

**NOTICE:** It will be necessary to have a second person hold the Tilt Bracket open during this step of the installation.

- h. With the Tilt Bracket still in the open position, mount the Mounting Bracket to the Tilt Bracket. Take four 5/16-18 Hex Head Cap Crews (Item # 2) and place one 5/16" Flat Washer (Item #8) on each. With the Tilt Bracket in the open position and aligned with the Mounting Bracket, put one Bolt in each of the four Mounting Holes to join the two pieces.

**NOTICE:** Take note of the orientation of the mounting hardware. The heads of the bolts must be installed to the inside of the Tilt Bracket. The Stainless Steel Washers provided must be used on the outside of the Tilt Bracket.

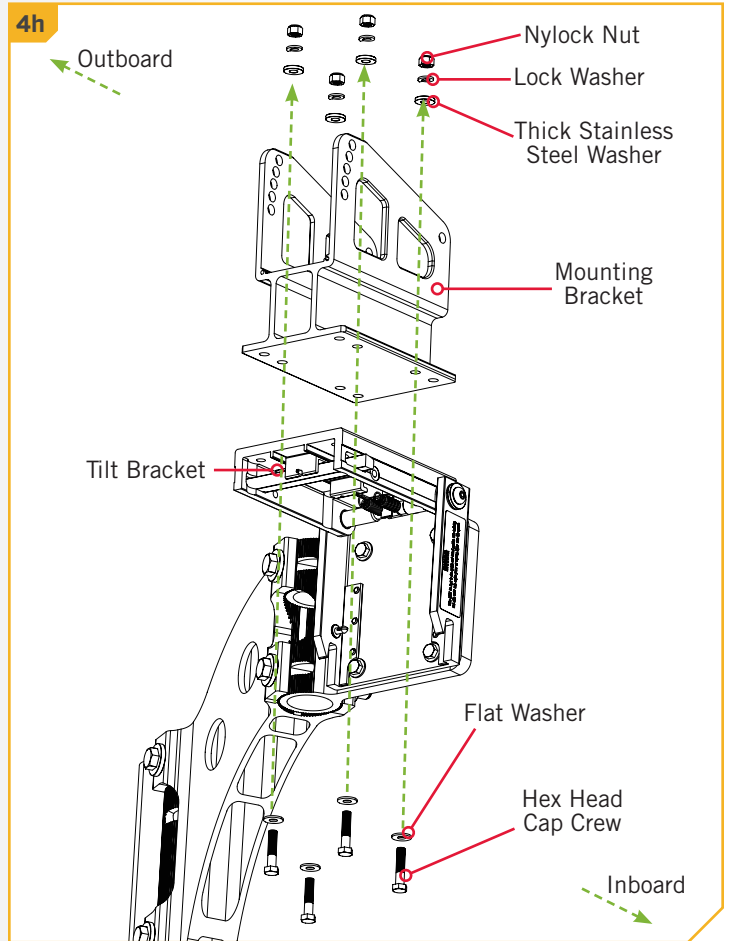
- i. Take four .750 X .3125 Thick Stainless Steel Washers (Item #10), four Lock Washers (Item #6) and four Nylock Nuts (Item #4) and place anti-seize (Item #12) on all of the hardware. Place one Stainless Steel Washer, followed by a locking washer and Nylock Nut on the end of each bolt.

**NOTICE:** To prevent seizing of the stainless steel hardware, do not use high speed installation tools. Applying an anti-seize will help prevent seizing.

- j. Verify that all mounting hardware is tightened to 30 ft-lbs and secure.

## CAUTION

Periodically check that all 8 sets of bolts installed are at the recommended torque of 30 ft-lbs to ensure proper operation and tight hardware.





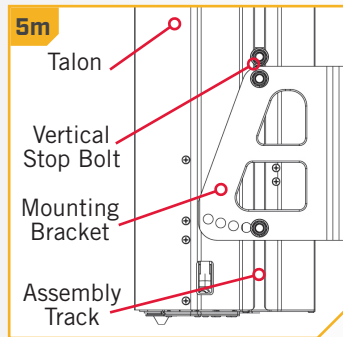
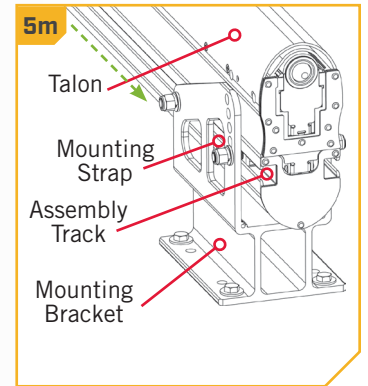
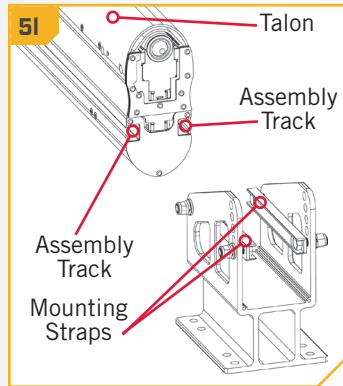
**5**

- k. Next the Talon should be installed on the Mounting Bracket. Press the Latch Lever on the Tilt Bracket to return it to the closed position.

**NOTICE:** We recommend a second person to help with this step of the installation.

- l. Take the Talon and notice that there is an Assembly Track located on both sides of the Talon.
- m. Carefully lift the Talon into the Mounting Bracket and align the Mounting Straps with the Assembly Track. Slide the Guard Washers to the inside wall of the Mounting Bracket, so that they sit between it and the Talon Assembly. Slide the Talon down the Assembly Tracks until it comes in contact with the Vertical Stop Bolt.

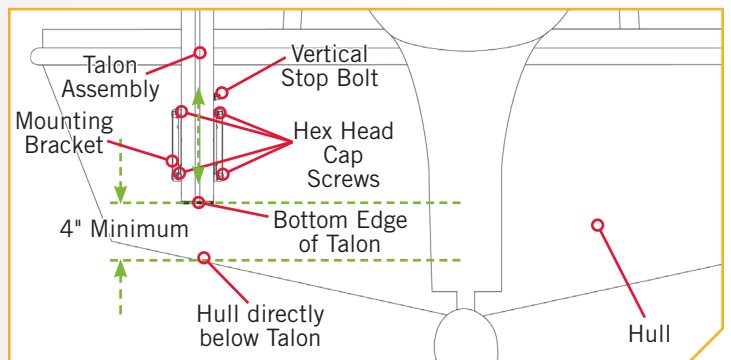
**NOTICE:** If the Talon was previously installed, the Water Deflection Shield may need to be removed and reinstalled after the Talon is secure. Refer to the Talon Owners Manual on how to install the shield.



**6**

- n. While supporting the Talon, adjust it and the Vertical Stop Bolt up or down in the Mounting Bracket so that the bottom of the Talon is not less than 4 inches above the Bottom of the hull of the boat, or the waterline of the boat. Once in place, temporarily tighten the Vertical Stop Bolt.
- o. Double check the placement of the Talon and make sure it meets all of the mounting considerations. Make any adjustments as necessary. When the position of the Talon is acceptable, secure the four Hex Head Cap Screws and Nylock Nuts holding the Mounting Straps in place with a 9/16" Box End or Socket Wrench. Use a torque wrench to tighten to a recommended torque of 20 to 30 ft-lbs. Tighten the Vertical Stop Bolt.

**NOTICE:** Additional adjustments may need to be made to the mount after a trial run with the boat on the water. Periodically re-tighten the four nuts and screws to 20 to 30 ft-lbs.



## **CAUTION**

Check tension of the 4 vertical adjustment nuts after initial use and periodically thereafter to ensure they are at the recommended torque of 20 to 30 ft-lbs.

# INSTALLATION

## › Installing the Adjustable Deck Support

1

### ITEM(S) NEEDED



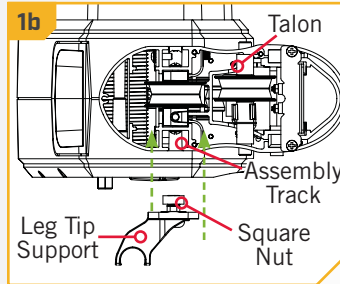
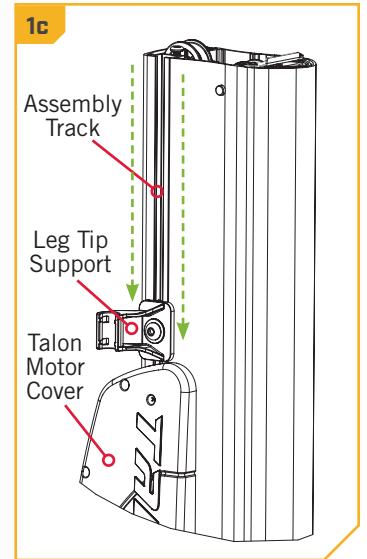
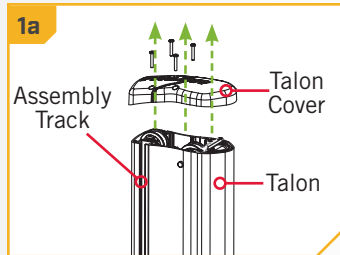
- a. With the power still disconnected from the Talon, remove the top cover from the Talon using a #2 Phillips screw driver. There are a total of 2 or 4 screws holding the cover in place.

### WARNING

To avoid electric shock or unexpected Talon operation, make sure the Talon is not connected to a power source.

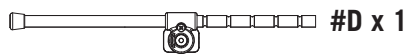
- b. Install the Leg Tip Support (Assembly #E) on the Port (left) side of the Talon. Do this by loosening the Square Nut until it is flush with the end of the screw.
- c. Slide the support into the Assembly Track making sure the Washer is on the outside of the track and the Square Nut is on the inside of the track.
- d. Position the Leg Tip Support against the top edge of the Talon Motor Cover for the moment. The final position of this support will be determined later.

**NOTICE:** Take care not to damage wires on the Talon Cover for Talons that are equipped with a Work Light.

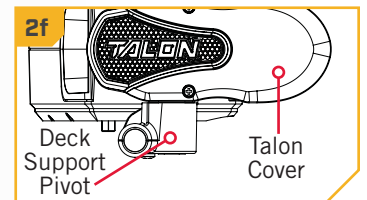
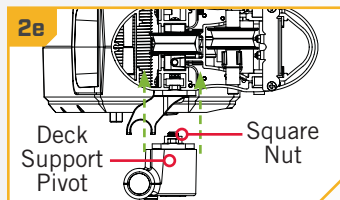
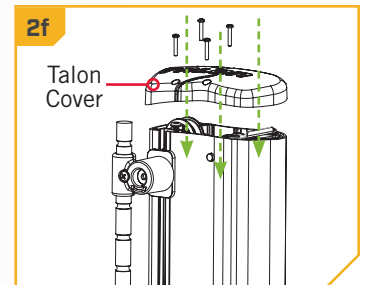
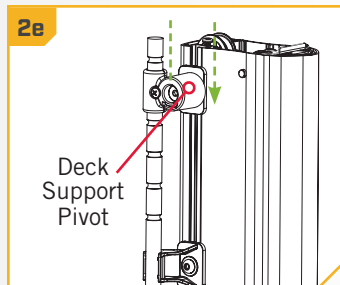


2

### ITEM(S) NEEDED



- e. Take the Deck Support Pivot (Assembly #D) and install it by loosening the Square Nut until it is flush with the end of the Shoulder Bolt Threads. Slide the support into the Assembly Track of the Talon. Make sure the washer is on the outside of the Talon and the Square Nut is on the inside of the track. The installed Deck Support Pivot will already have the Support Leg installed. Do not completely tighten any of the fasteners at this time.
- f. Reinstall the Talon cover that was removed. Tighten all four screws securely.



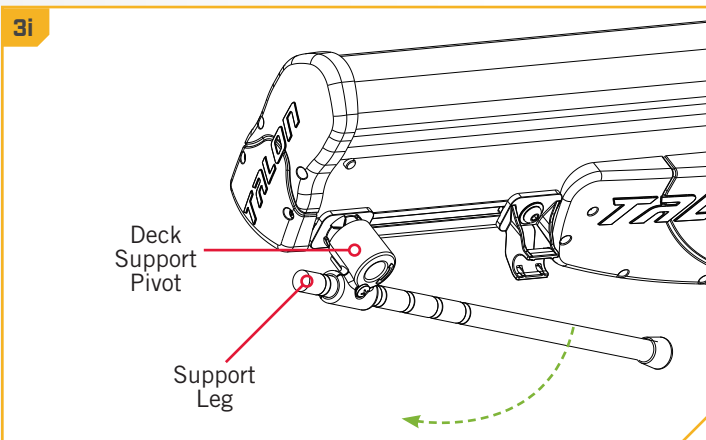
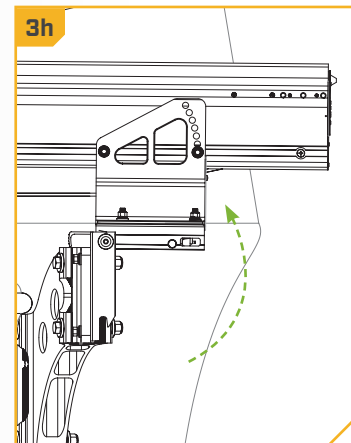
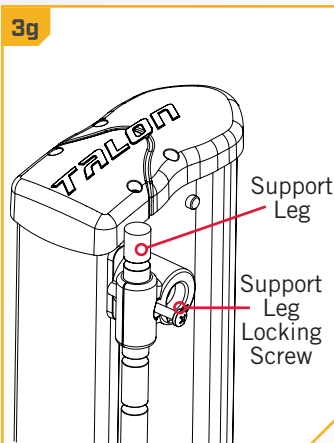
## 3

- g. Loosen the Support Leg Locking Screw until the Support Leg moves freely.
- h. In order to determine the best position for the Support Leg, release the Talon Tilt Bracket by pressing on the Locking Lever. With the Talon supported, lower the Talon in the Tilt Bracket.

### CAUTION

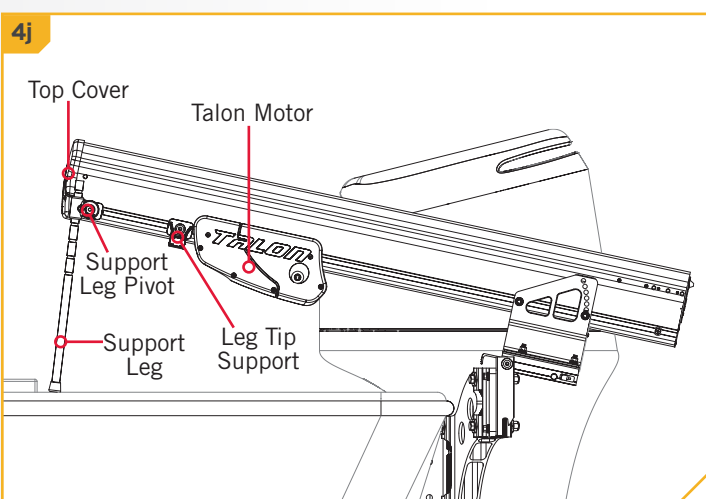
While performing work on the Talon or boat, make sure the weight of the Talon is supported when the Tilt Bracket is engaged to Tilt the Talon. If the Talon is not supported, the Talon can fall and cause injury to people or property. Avoid the risk of injury by supporting the weight of the Talon.

- i. Pull out on the Deck Support Pivot and rotate it 90 degrees. The pivot will lock into its “in use” position.



## 4

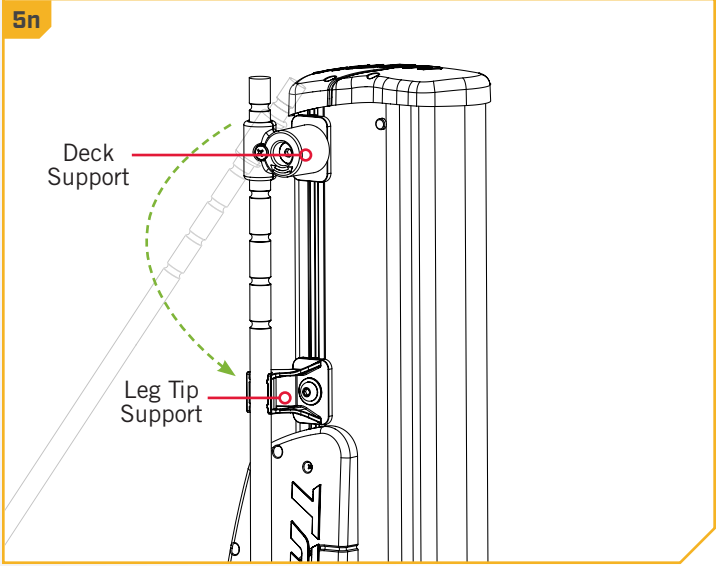
- j. Position the Support Leg Pivot along the length of Talon between the Talon top cover and the Talon Motor in the best location for your boat. Tighten the Support Leg Pivot into place using the 1/4" Allen wrench.
- k. Adjust the Leg length to one of the machined slot locations that works best and retighten the Locking Screw that was loosened previously.
- l. Adjust the Leg Tip Support position according to the adjusted Support Leg length, so that the end of the Leg will rest in the Cradle. Tighten the Leg Tip Support using a 7/32" Allen Wrench.



# INSTALLATION

## 5

- m. Tilt the Talon up to normal operating position and verify that the Tilt Bracket locks.
- n. Next, pull out and pivot the Deck Support back to its stowed position into the Leg Tip Support.
- o. After final adjustments to the length of the support leg, any extra length can be cut off just above the deck support pivot using a standard hand saw.



# COMPLIANCE STATEMENTS

## ENVIRONMENTAL COMPLIANCE STATEMENT

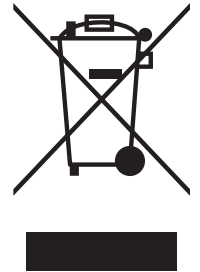
It is the intention of JOME to be a responsible corporate citizen, operating in compliance with known and applicable environmental regulations, and a good neighbor in the communities where we make or sell our products.

### WEEE DIRECTIVE

EU Directive 2002/96/EC “Waste of Electrical and Electronic Equipment Directive (WEEE)” impacts most distributors, sellers, and manufacturers of consumer electronics in the European Union. The WEEE Directive requires the producer of consumer electronics to take responsibility for the management of waste from their products to achieve environmentally responsible disposal during the product life cycle.

WEEE compliance may not be required in your location for electrical & electronic equipment (EEE), nor may it be required for EEE designed and intended as fixed or temporary installation in transportation vehicles such as automobiles, aircraft, and boats. In some European Union member states, these vehicles are considered outside of the scope of the Directive, and EEE for those applications can be considered excluded from the WEEE Directive requirement.

This symbol (WEEE wheelie bin) on product indicates the product must not be disposed of with other household refuse. It must be disposed of and collected for recycling and recovery of waste EEE. Johnson Outdoors Inc. will mark all EEE products in accordance with the WEEE Directive. It is our goal to comply in the collection, treatment, recovery, and environmentally sound disposal of those products; however, these requirements do vary within European Union member states. For more information about where you should dispose of your waste equipment for recycling and recovery and/or your European Union member state requirements, please contact your dealer or distributor from which your product was purchased.



### DISPOSAL

Minn Kota Talons are not subject to the disposal regulations EAG-VO (electric devices directive) that implements the WEEE directive. Nevertheless never dispose of your Minn Kota Talon in a garbage bin but at the proper place of collection of your local town council.

Never dispose of battery in a garbage bin. Comply with the disposal directions of the manufacturer or his representative and dispose of them at the proper place of collection of your local town council.

# TROUBLESHOOTING AND REPAIR

## TROUBLESHOOTING AND REPAIR

We offer several options to help you troubleshoot and/or repair your product. Please read through the options listed below.



### Buy Parts Online

You can buy parts on-line directly from our website at [minnkotamotors.com](http://minnkotamotors.com). Orders confirmed by 12 Noon Central Time, with Overnight Shipping selected, should ship the same business day if the parts are in stock. All other orders should ship within the next 3 business days, depending on the shipment method chosen, and if the parts are in stock.



### Frequently Asked Questions

We have FAQs available on our website to help answer all of your Minn Kota questions. Visit [minnkotamotors.com](http://minnkotamotors.com) and click on “Frequently Asked Questions” to find an answer to your question.



### Call Us (for U.S. and Canada)

Our consumer service representatives are available Monday – Friday between 7:00 a.m. – 4:30 p.m. CST at 800-227-6433. If you are calling to order parts, please have the 11-character serial number from your product, specific part numbers, and credit card information available. This will help expedite your call and allow us to provide you with the best consumer service possible. You can reference the parts list located in your manual to identify the specific part numbers.



### Email Us

You can email our consumer service department with questions regarding your Minn Kota products. To email your question, visit [minnkotamotors.com](http://minnkotamotors.com) and click on “Support”.



### Authorized Service Centers

Minn Kota has over 800 authorized service providers in the United States and Canada where you can purchase parts or get your products repaired. Please visit our Authorized Service Center page on our website to locate a service provider in your area.



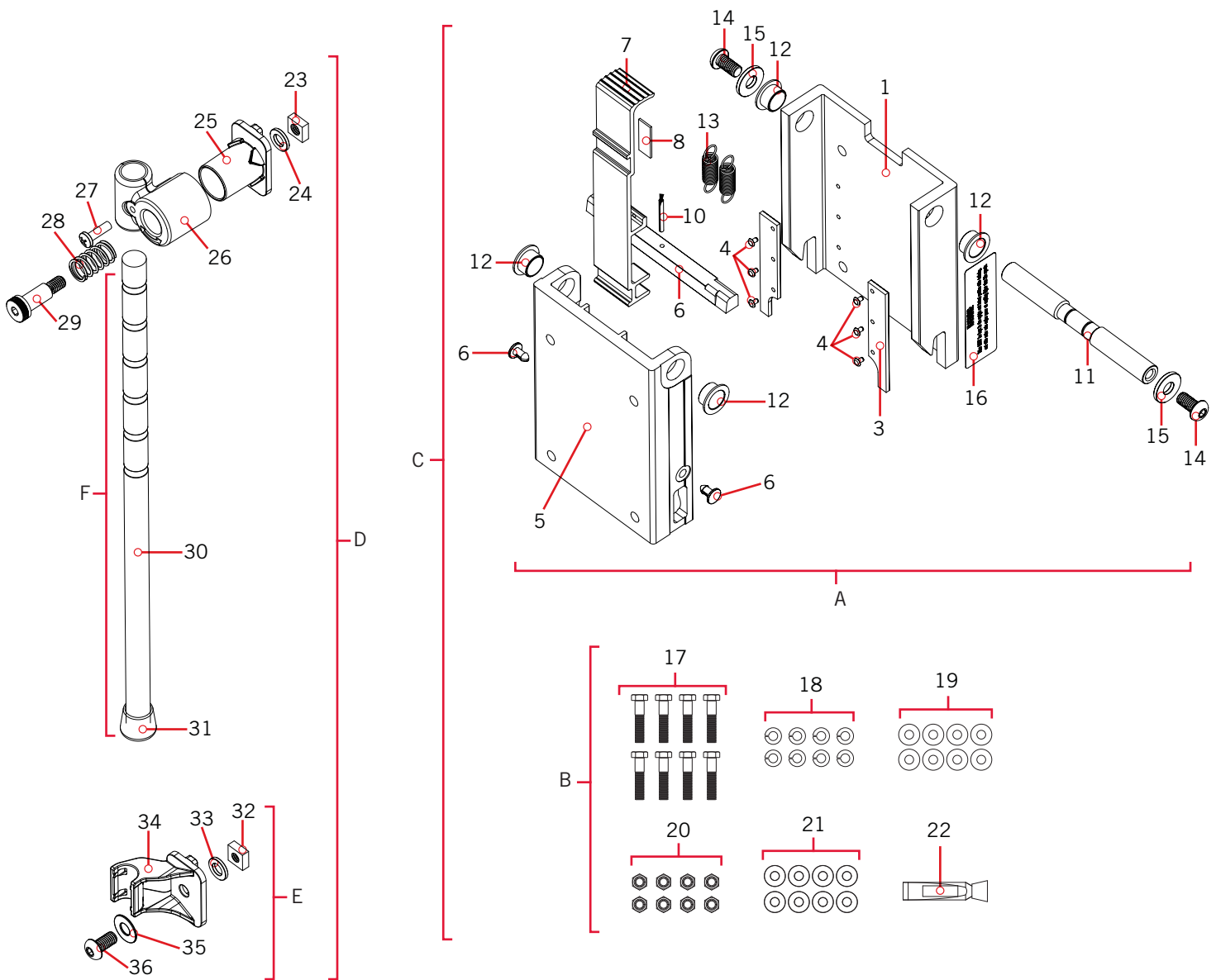
Scan to visit Minn Kota service online.

# PARTS DIAGRAM & PARTS LIST

## TALON TILT BRACKET

This page provides Minn Kota® WEEE compliance disassembly instructions. For more information about where you should dispose of your waste equipment for recycling and recovery and/or your European Union member state requirements, please contact your dealer or distributor from which your product was purchased. Tools required, but not limited to: flat head screw driver, Phillips screw driver, socket set, pliers, wire cutters.

### ▶ Talon Tilt Bracket Parts Diagram



# PARTS DIAGRAM & PARTS LIST

## ▶ Talon Tilt Bracket Parts List

Assembly	Part #	Description	Qty.
A	✘	TALON TILT BRACKET	1
B	2994910	BAG ASSY, TALON TILT BRACKET	1
C	2770237	TALON TILT BRACKET & BAG ASSY	1
D	2992345	DECK SUPPORT PIVOT & LEG W/ TIP SUPPORT	1
E	✘	CRUTCH/PIVOT ASM, TILT BRACKET	1
F	2992341	CRUTCH, TILT BRACKET ASSEMBLY	1
Item	Part #	Description	Qty
1	2371941	BASE-TILT, MACHINED	1
2	2375119	PAD-WEAR, LEFT,TALON TILT BRKT	1
3	2375114	PAD-WEAR,RIGHT,TALON TILT BRKT	1
4	2378601	RIVET-POP, 1/8", 316 SS	6
5	2370237	COVER-TILT, MACHINED	1
6	2376730	PLUG-SPACER,TALON TILT BRK	2
7	2377218	LEVER-TILT, MACHINED	1
8	2375417	INSULATOR, TILT BRACKET	1
9	2372671	PIN-LATCH, TILT BRACKET	1
10	2372654	PIN-SPRING 1/8"X 1 1/4" SS	1
11	2372667	PIN-PIVET, 2-GROOVE, SS	1
12	2370007	BEARING-SLEEVE, .625 X .375	4
13	2372744	SPRING, LATCH, TILT BRACKET	2
14	2383443	SCREW-3/8-16 BHCS, SS	2
15	2371759	WASHER-3/8 HD FENDER SS	2
16	2375769	LABEL-WARNING,TILT BRACKET	1
17	2373521	BOLT-5/16-18 X 1 1/2" HHCS SS	8
18	2371756	WASHER-LOCK, 5/16"	8
19	2261722	WASHER-FLAT 5/16 S/S	8
20	2223100	NUT-5/16-18 NYLOCK S/S	8
21	2371746	WASHER .750 X .3125 SS	8
22	2378608	ANTI SEIZE TUBE, 4CC, TALON	1
23	2373131	NUT-SQUARE 3/8-18 SS	1
24	2371758	WASHER-3/8 HD FLAT SS	1
25	2372355	CRUTCH, INNER PIVOT (2992345)	1
26	2372346	CRUTCH, OUTER PIVOT, MACH	1
27	2073408	SCREW-1/4-20 X 7/8 PPH S/S	1
28	2372747	SPRING, TALON STABILIZER	1
29	2373531	BOLT-SHOULDER,TALON STABILIZER	1

✘ This part is included in an assembly and cannot be ordered individually.

▲ Not shown on Parts Diagram.



## PARTS DIAGRAM & PARTS LIST



Item	Part #	Description	Qty
30	✘	CRUTCH, TILT BRACKET ASSEMBLY	1
31	2265100	BUMPER	1
32	2371758	WASHER-3/8 HD FLAT SS	1
33	2373131	NUT-SQUARE 3/8-18 SS	1
34	2372360	CRUTCH,SUPPORT,INJ.MOLDED(N/A)	1
35	2091701	WASHER-PROP (LARGE) MAX101	1
36	2383443	SCREW-3/8-16 BHCS, SS	4
▲	2374976	INSTR.SHEET,TILT BRKT 8'10'12'	1

✘ This part is included in an assembly and cannot be ordered individually.

▲ Not shown on Parts Diagram.



# RECOMMENDED ACCESSORIES

## ON-BOARD & PORTABLE BATTERY CHARGERS

Stop buying new batteries and start taking care of the ones you've got. An inaccurate charger can actually damage your battery over time – creating shorter run times and shorter overall life. Digitally controlled Minn Kota chargers are designed to provide a fast and precise charge that protect and extend battery life.



MK212PC



MK210D



MK110PD

## TALON ACCESSORIES

### UNIVERSAL MODULAR ADAPTER BRACKETS

It's easy to choose your bracket, easy to install it and pretty much impossible for anything to stop it. Talon's Universal Modular Adapter Brackets are built stronger than they have to be, and their innovative modular design lets you put Talon in just the right position on your boat.

#### Unparalleled Strength

We built Talon with uncompromising power. And we built the brackets the exact same way. Made with extruded aluminum and reinforced with rugged construction, our brackets hold Talon steady whether you're trailering or tearing through heavy chop.

Jack Plate Adapter Bracket



1810340

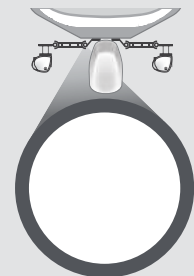
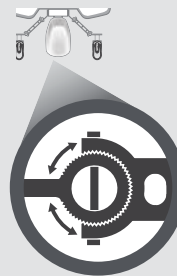
Sandwich-Style Adapter Bracket



1810303

#### Universal Modular Design

Two brackets. Any transom. The universal design fits any situation, and the brackets can be adjusted and tweaked to the perfect orientation. Two pivot points let you adjust Talon to the perfect orientation (based on your transom style, outboard location and other factors). Once it's in position, interlocking teeth clamp down to lock it into place.



### TALON WIRELESS FOOT SWITCH

Control Talon from the bow, with full command of stow, deploy, anchoring modes and work light.

1810257

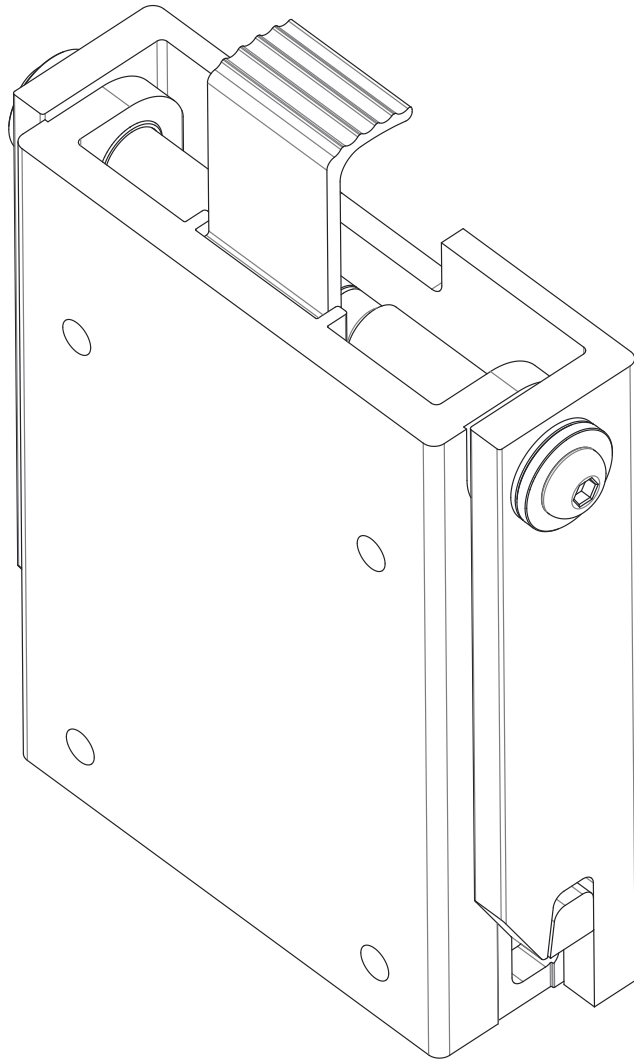


### QUICK RELEASE DISCONNECT PLUG

This heavy-duty, waterproof connector features an all-inclusive screw-lock design.

1810244





# **TALON**

## **SUPPORT INCLINABLE**

**Manuel du propriétaire**

**Compatible avec les modèles d'ancres Talon pour eaux peu profondes.**

# INTRODUCTION

## MERCI

Votre support inclinable Talon est conçu pour permettre une inclinaison aisée lorsque nécessaire. Cela peut subvenir lorsqu'on rencontre des obstacles suspendus à faible hauteur ou lorsqu'on doit reculer ou avancer sous des zones à faible hauteur libre. La fonction d'inclinaison peut aussi servir à prolonger votre Talon pour faciliter les besoins de nettoyage.

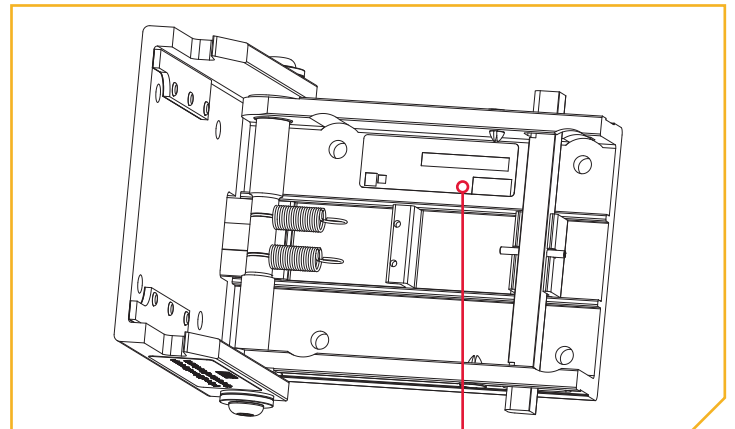
## ENREGISTREMENT

N'oubliez pas de conserver votre reçu et d'enregistrer immédiatement votre Talon. Pour bénéficier de tous les avantages de la garantie de votre produit, veuillez remplir et envoyer la carte d'enregistrement par la poste; vous pouvez aussi enregistrer votre produit en ligne à [minnkotamotors.com](http://minnkotamotors.com).

## NUMÉRO DE SÉRIE

Le numéro de série à 11 caractères Minn Kota est très important. Cela permet de déterminer le modèle spécifique et l'année de fabrication. Lorsque vous contactez le service à la clientèle ou que vous enregistrez votre article, vous aurez besoin du numéro de série de votre article. Nous vous suggérons d'écrire le numéro de série afin qu'il soit disponible à des fins de référence future.

**AVIS :** Le numéro de série sur votre support inclinable est inscrit à l'intérieur du support, près de la tige de verrouillage.



## INFORMATIONS SUR LE TALON (à des fins de référence par le client seulement)

Modèle : \_\_\_\_\_

Numéro de série : \_\_\_\_\_

Date de l'achat : \_\_\_\_\_

Magasin où l'achat a été effectué : \_\_\_\_\_

# CONSIGNES DE SÉCURITÉ

Veillez lire attentivement le manuel de l'utilisateur. Suivre toutes les instructions et respecter toutes les consignes de sécurité. L'utilisation de cet article n'est autorisée que pour les personnes qui ont lu et compris ces instructions. Les mineurs peuvent utiliser ce moteur uniquement sous la supervision d'un adulte.

## **AVERTISSEMENT**

Le support inclinable Talon n'est pas conçu pour être utilisé en position inclinée (basse) tout en remorquant, ni en marche sur l'eau. Toute tentative d'utiliser cet article de telle manière pourrait entraîner des dommages matériels ou des blessures corporelles et annulera la garantie. Johnson Outdoors ne pourra être tenue responsable d'un tel dommage ou d'une telle blessure découlant d'une mauvaise utilisation de cet article.

## **AVERTISSEMENT**

Votre Talon DOIT être gardé en position levée et verrouillée lorsque le bateau est remorqué, et lorsque le moteur principal est utilisé à une vitesse supérieure à la vitesse de ralenti.

## **ATTENTION**

Le support inclinable Talon n'est pas une marche. Ne pas se tenir sur le support inclinable Talon ou l'utiliser comme point d'entrée dans l'eau/dans le bateau ou comme point de sortie.

## **ATTENTION**

Au moment d'effectuer des travaux sur le Talon ou sur le bateau, s'assurer que le poids du Talon est soutenu lorsque le support inclinable est engagé pour incliner le Talon. Si le Talon n'est pas soutenu, il peut tomber et causer des blessures et des dommages. Éviter le risque de blessures en soutenant le poids du Talon.

## **ATTENTION**

Le support inclinable est glissant lorsque mouillé. Prendre soin de soutenir le Talon lors de l'enclenchement du support inclinable.

## **AVERTISSEMENT**

On recommande d'utiliser exclusivement les accessoires approuvés par Johnson Outdoors avec votre Talon. L'utilisation d'accessoires non approuvés, y compris pour monter ou contrôler votre produit, pourrait causer des dommages, un fonctionnement inattendu et des blessures. Veiller à utiliser le produit ainsi que les accessoires approuvés, y compris les télécommandes, en toute sécurité et de la manière indiquée pour éviter un fonctionnement accidentel ou inattendu. Ne pas retirer les pièces installées en usine, y compris les couvercles, boîtiers et protections du moteur et des électroniques et des accessoires. Le défaut de respecter cet avertissement pourrait affecter la garantie.

# GARANTIE

## GARANTIE SUR LE SUPPORT INCLINABLE DU TALON MINN KOTA

### GARANTIE LIMITÉE DE CINQ ANS DE MINN KOTA

Johnson Outdoors Marine Electronics, Inc. garantit à l'acheteur initial que tout le support inclinable Talon est exempt de défauts de fabrication et de matériaux qui pourraient apparaître au cours des cinq (5) ans suivant la date d'achat. Johnson Outdoors Marine Electronics, Inc. se réserve le droit de réparer ou de remplacer, au choix et gratuitement, toute pièce qui s'avèrerait défectueuse pendant la durée de cette garantie. Cette réparation ou ce remplacement est l'unique et exclusive responsabilité de Johnson Outdoors Marine Electronics, Inc. et constitue l'unique recours pour tout manquement à la présente garantie.

### MODALITÉS ET CONDITIONS

Ces garanties limitées ne s'appliquent pas aux moteurs utilisés commercialement ou en eau salée, pas plus qu'ils ne couvrent l'usure normale, les imperfections qui n'affectent pas le fonctionnement du moteur, ou les dommages causés par les accidents, abus, altérations, modifications, utilisations abusives ou mauvais entretien ou maintenance. **LES DOMMAGES CAUSÉS PAR L'UTILISATION DE PIÈCES DE REMPLACEMENT NON CONFORMES AUX SPÉCIFICATIONS DE CONCEPTION DES PIÈCES ORIGINALES NE SONT PAS COUVERTS PAR LA PRÉSENTE GARANTIE LIMITÉE.** Le coût de l'entretien normal ou des pièces de rechange qui ne sont pas défectueuses sont à la charge de l'acheteur.

### INFORMATION SUR LE SERVICE MINN KOTA

Pour obtenir le service au titre de la garantie aux États-Unis, le produit jugé défectueux et la preuve d'achat originale (comportant la date d'achat), doivent être présentés à un centre de service agréé Minn Kota ou au centre de service de l'usine de Minn Kota à Mankato, au Minnesota. Tous les frais encourus pour des appels de service, de transport ou d'expédition à destination ou à partir du centre de service agréé ou de l'usine Minn Kota, de main-d'œuvre pour transporter, retirer, réinstaller ou regréer les articles retirés pour le service de garantie, ou tout autre élément similaire, sont sous la seule et unique responsabilité unique et exclusive de l'acheteur. Les articles achetés à l'extérieur des États-Unis doivent être retournés, port payé avec la preuve d'achat (y compris la date d'achat et le numéro de série), à tout centre de service agréé Minn Kota dans le pays de l'achat. Le service au titre de la garantie peut être obtenu en communiquant avec le centre de service agréé de Minn Kota ou l'usine au +1 (800) 227-6433 ou par courriel à l'adresse suivante [service@minnkotamotors.com](mailto:service@minnkotamotors.com).

**IL N'Y A AUCUNE GARANTIE EXPRESSE AUTRE QUE LES PRÉSENTES GARANTIES LIMITÉES. AUCUNE GARANTIE IMPLICITE (SAUF CELLE POUR L'ARBRE COMPOSITE), Y COMPRIS QUELQUE GARANTIE IMPLICITE DE QUALITÉ MARCHANDE OU D'ADÉQUATION À UN USAGE PARTICULIER, NE SE PROLONGERA AU-DELÀ DES DEUX ANS SUIVANT LA DATE D'ACHAT. JOHNSON OUTDOORS MARINE ELECTRONICS, INC. NE SERA, EN AUCUN CAS, TENUE RESPONSABLE DES DOMMAGES ACCESSOIRES, INDIRECTS OU SPÉCIAUX.**

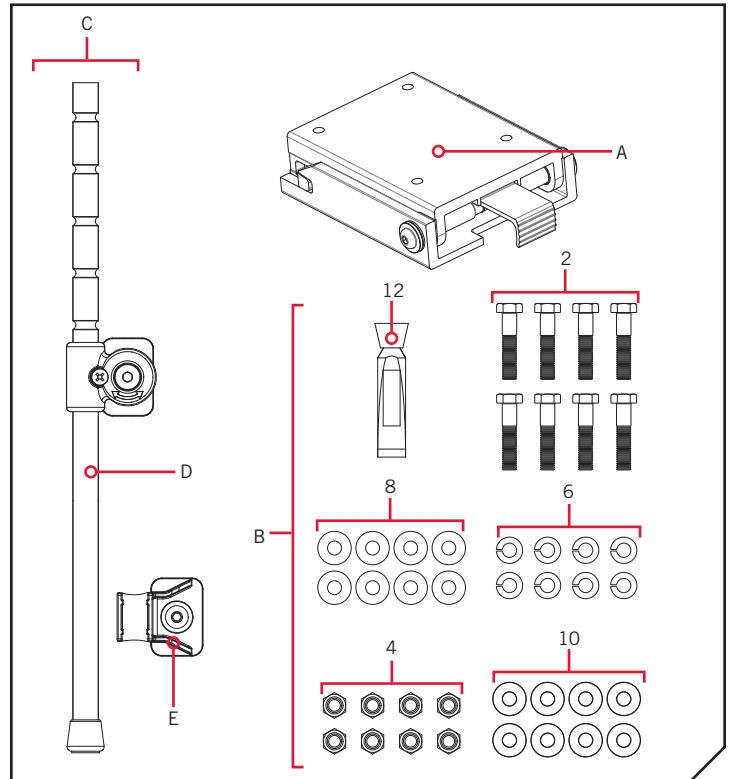
Certains états ne permettent pas de limites sur la durée d'une garantie implicite ou l'exclusion ou limitation des dommages accessoires ou indirects, donc, les limitations ou exclusions ci-dessus peuvent ne pas s'appliquer à vous. La présente garantie vous donne des droits légaux spécifiques et vous pouvez également bénéficier d'autres droits qui varient d'un État à l'autre.

# INSTALLATION

Article/ Ensemble	N° de pièce	Description	Qté
A	✳	TALON TILT BRACKET	1
B Inclut 2-12	2994910	BAG ASSY, TALON TILT BRACKET	1
2	2373521	BOLT-5/16-18 X 1 1/2" HHCS SS	8
4	2223100	NUT-5/16-18 NYLOCK S/S	8
6	2371756	WASHER-LOCK, 5/16"	8
8	2261722	WASHER-FLAT 5/16 S/S	8
10	2371746	WASHER .750 X .3125 SS *THICK*	8
12	2378608	ANTI SEIZE TUBE, 4CC, TALON	1
14	2374976 ▲	INSTR.SHEET,TILT BRKT 8'10'12'	1
C	2992345	CRUTCH/PIVOT ASM, TILT BRACKET	1
D	2992345	DECK SUPPORT PIVOT & LEG W/ LEG TIP SUPPORT	1
E	✳	LEG TIP SUPPORT	1

✳ Cette pièce est incluse dans un ensemble et ne peut pas être commandée individuellement.

▲ Non visible sur le schéma des pièces.



## OUTILS ET RESSOURCES NÉCESSAIRES >

- Clé hexagonale de 1/4 po (6,4 mm)
- Clé hexagonale de 7/32 po (5,6 mm)
- Clé polygonale 1/2 po (12,7 mm)
- Clé polygonale 9/16 po (14,3 mm)
- Douille de puits profond de 1/2 po (12,7 mm)
- Tournevis cruciforme n° 2
- Scie à main
- Clé à cliquet

## FACTEURS DE MONTAGE >

Avant de monter votre support inclinable Talon, veiller à tenir compte de ce qui suit :

1. Votre support inclinable Talon est conçu pour permettre une inclinaison aisée lorsque nécessaire. Cela peut subvenir lorsqu'on rencontre des obstacles suspendus à faible hauteur ou lorsqu'on doit reculer ou avancer sous des zones à faible hauteur libre. La fonction d'inclinaison peut aussi servir à prolonger votre Talon pour faciliter les besoins de nettoyage.

# INSTALLATION

## **AVERTISSEMENT**

Le support inclinable Talon n'est pas conçu pour être utilisé en position inclinée (basse) tout en remorquant, ni en marche sur l'eau. Toute tentative d'utiliser cet article de telle manière pourrait entraîner des dommages matériels ou des blessures corporelles et annulera la garantie. Johnson Outdoors ne pourra être tenue responsable d'un tel dommage ou d'une telle blessure découlant d'une mauvaise utilisation de cet article.

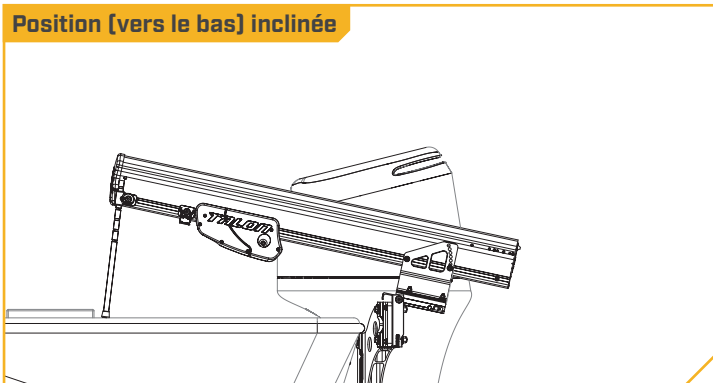
2. Le support inclinable Talon peut uniquement être installé avec un support d'adaptateur Talon (support de ponton 1810225, timon 1810340 ou supports d'adaptateur style sandwich 1810302 pour installation à bâbord ou 1810303 pour installation à tribord) pour s'assurer des dégagements appropriés au point de pivot. Les applications avec un montage de travers direct n'auront pas un dégagement adéquat.

## **AVERTISSEMENT**

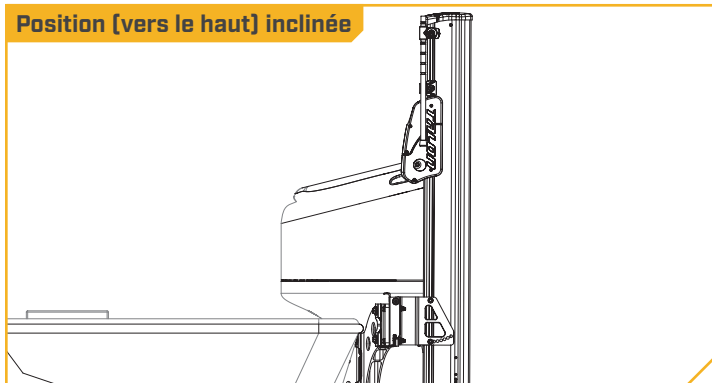
Votre Talon DOIT être gardé en position levée et verrouillée lorsque le bateau est remorqué, et lorsque le moteur principal est utilisé à une vitesse supérieure à la vitesse de ralenti.

### › Installation complète typique

Position [vers le bas] inclinée



Position [vers le haut] inclinée





## INSTALLATION >

### > Montage du support inclinable

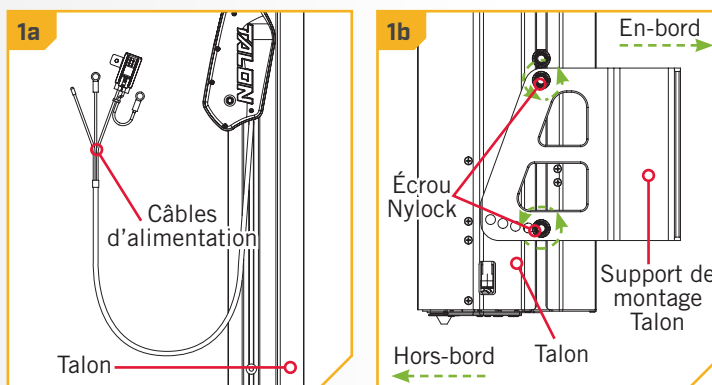
- 1** a. Débrancher le Talon de l'alimentation électrique avant de débiter l'installation.

#### **AVERTISSEMENT**

Pour éviter une électrocution ou le fonctionnement inattendu du Talon, veiller à ce que le moteur ne soit pas connecté à une source d'alimentation.

- b. Retirer le Talon du support de montage Talon en desserrant les 4 écrous Nylock qui maintiennent le Talon en place. Ne pas retirer les écrous; il suffit de les desserrer. Il peut être nécessaire d'avoir une deuxième personne disponible pour tenir le Talon pendant le desserrage des écrous Nylock.
- c. Soulever le Talon hors du support de montage et le mettre de côté.

**AVIS :** Une deuxième personne pourrait être nécessaire pour aider à l'installation.

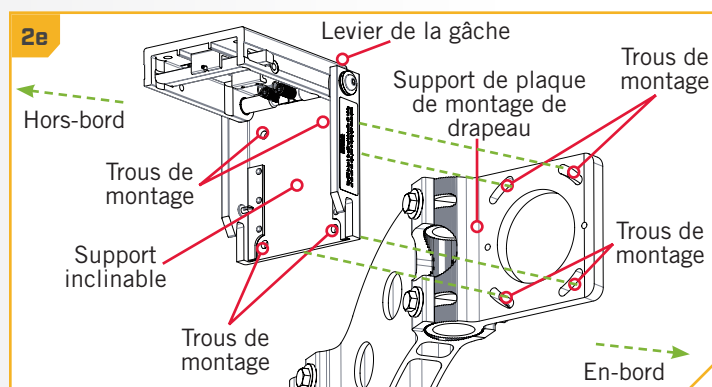


## 2

### ARTICLE(S) REQUIS



- d. Si le support de montage est déjà fixé à un support d'adaptateur, le retirer du support de montage. Toute quincaillerie qui fixe le support de montage à un support d'adaptateur devrait être jetée. Ne pas réutiliser l'ancienne quincaillerie.
- e. Prendre le support inclinable (ensemble A) et l'aligner avec les trous de montage sur le support de plaque de montage de drapeau. Le support inclinable devrait être orienté de manière à ce que le levier de la gâche soit positionné vers le haut et qui soit face à l'intérieur du bateau.



# INSTALLATION

## 3

### ARTICLE(S) REQUIS



#2 x 4



#6 x 4



#8 x 4



#10 x 4



#4 x 4



#12 x 1

- f. Pousser le levier de la gâche pour ouvrir le support inclinable. Prendre quatre vis à tête creuse hexagonale de 5/16 po (7,94 mm)-18 (article n° 2) et placer une rondelle plate de 5/16 po (7,94 mm) (article n° 8) sur chacune. Alors que le support inclinable est en position ouverte et qu'il est aligné avec le support de plaque de montage de drapeau, placer un boulon dans chacun des quatre trous de montage pour joindre les deux pièces.

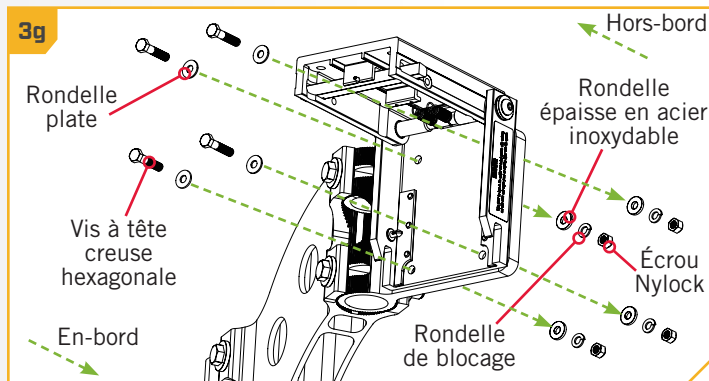
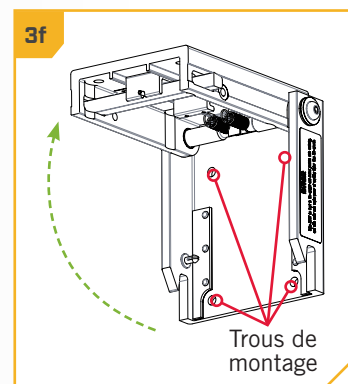
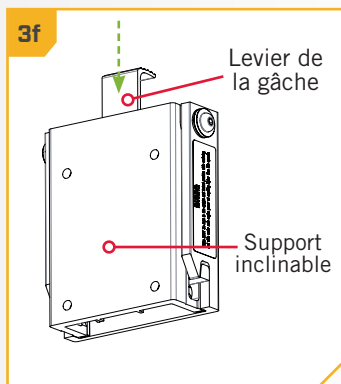


## ATTENTION

Surveiller les points de pincement entre le support inclinable Talon et le bras de maintien inclinable lors de l'installation et de l'utilisation du support.

- g. Prendre quatre rondelles épaisses en acier inoxydable de 0,750 po (19,05 mm) X 0,3125 po (7,94 mm) (article n° 10), quatre rondelles de blocage (article n° 6) et quatre écrous Nylock (article n° 4) et appliquer un produit antigrippant (article n° 12) sur toutes la quincaillerie. Placer une rondelle en acier inoxydable, suivie d'une rondelle de blocage et d'un écrou Nylock à l'extrémité de chaque boulon.

**AVIS :** Pour prévenir le grippage de la quincaillerie en acier inoxydable, n'utilisez pas d'outils haute vitesse pour l'installation. Appliquer un produit antigrippant aidera à prévenir le grippage.



## 4

### ARTICLE(S) REQUIS



#2 x 4

⊙ #6 x 4

⊙ #8 x 4

⊙ #10 x 4

⊙ #4 x 4



#12 x 1

**AVIS :** Pendant cette étape de l'installation, une deuxième personne sera nécessaire pour tenir le support inclinable en position ouverte.

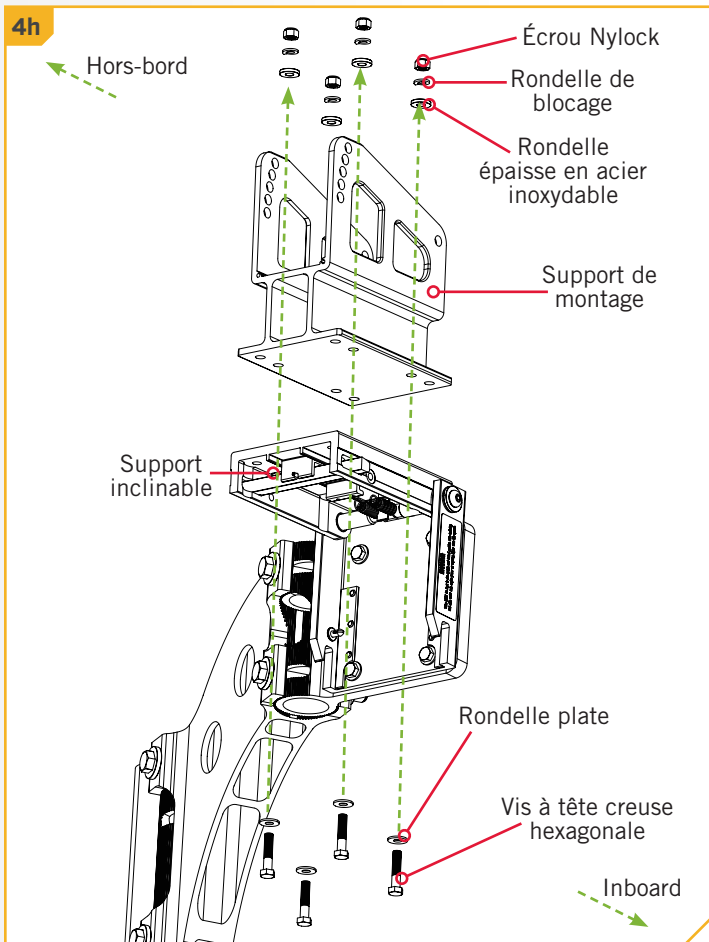
- h. Avec le support inclinable toujours en position ouverte, fixer le support de montage au support inclinable. Prendre quatre vis à tête creuse hexagonale de 5/16 po (7,94 mm)-18 (article n° 2) et placer une rondelle plate de 5/16 po (7,94 mm) (article n° 8) sur chacune. Alors que le support inclinable est en position ouverte et qu'il est aligné avec le support de montage, placer un boulon dans chacun des quatre trous de montage pour joindre les deux pièces.

**AVIS :** Prendre note de l'orientation de la quincaillerie de montage. Les têtes des boulons doivent être installées à l'intérieur du support inclinable. Les rondelles en acier inoxydable fournies doivent être utilisées à l'extérieur du support inclinable.

- i. Prendre quatre rondelles en acier inoxydable de 0,750 po (19,05 mm) X 0,3125 po (7,94 mm) (article n° 10), quatre rondelles de blocage (article n° 6) et quatre écrous Nylock (article n° 4) et appliquer un produit antigrippant (article n° 12) sur toutes la quincaillerie. Placer une rondelle en acier inoxydable, suivie d'une rondelle de blocage et d'un écrou Nylock à l'extrémité de chaque boulon.

**AVIS :** Pour prévenir le grippage de la quincaillerie en acier inoxydable, n'utilisez pas d'outils haute vitesse pour l'installation. Appliquer un produit antigrippant aidera à prévenir le grippage.

- j. Vérifier que toute la quincaillerie de montage est serrée au couple de 30 pi-lb.



## ⚠ ATTENTION

Vérifier régulièrement que tous les 8 ensembles de boulons installés sont serrés au couple recommandé de 30 pi-lb, afin de s'assurer que la quincaillerie est bien fixée et permet un bon fonctionnement.

# INSTALLATION

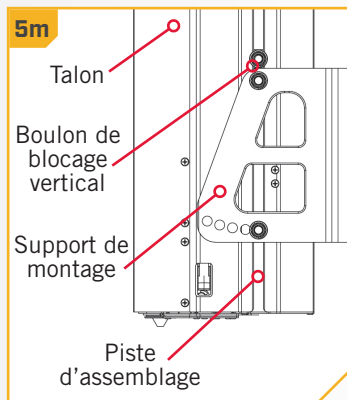
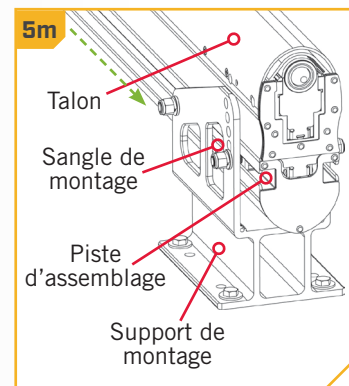
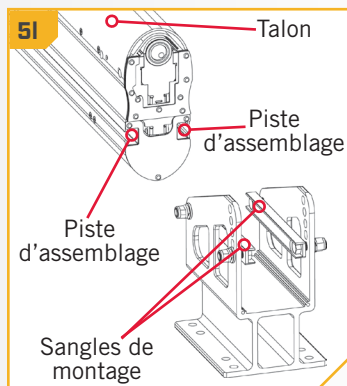
5

- k. Le Talon doit ensuite être installé sur le support de montage. Appuyer sur le levier de la gâche du support inclinable pour le replacer en position fermée.

**AVIS :** Nous recommandons de se faire aider par une deuxième personne pour cette étape de l'installation.

- l. Prendre le Talon et remarquer qu'il y a une piste d'assemblage située sur les deux côtés du Talon.
- m. Lever avec précaution le Talon dans le support de montage et aligner les sangles de montage avec la piste d'assemblage. Faire glisser les rondelles de sûreté sur la paroi intérieure du support de montage afin qu'elles soient entre le support et l'assemblage du Talon. Faire glisser le Talon vers le bas sur les pistes d'assemblage jusqu'à ce qu'il soit en contact avec le boulon de blocage vertical.

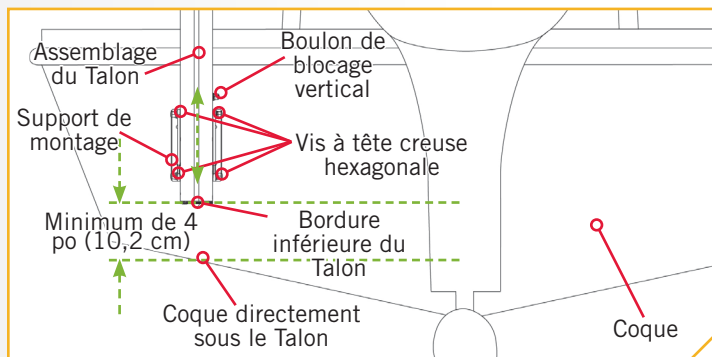
**AVIS :** Si le Talon a déjà été installé, il se peut que l'écran de déflexion d'eau doive être enlevé et réinstallé une fois le Talon fixé. Consulter le manuel du propriétaire du Talon pour savoir comment installer l'écran.



**6**

- n. En soutenant le Talon, l'ajuster, ainsi que le boulon de blocage vertical, vers le haut et le bas, dans le support de montage afin que le bas du Talon soit à au moins 4 po (10,2 cm) au-dessus du bas de la coque du bateau, ou de la ligne d'eau du bateau. Une fois en place, serrer temporairement le boulon de blocage vertical.
- o. Revérifier le placement du Talon et s'assurer qu'il respecte les consignes de montage. Faire tout ajustement nécessaire. Lorsque la position du Talon est acceptable, fixer les quatre vis à tête creuse hexagonale et les écrous Nylock qui tiennent les sangles de montage avec une clé polygonale ou à cliquet de 9/16 po (14,3 mm). Utiliser une clé à cliquet pour serrer à un couple de serrage de 20 à 30 pi-lb (27 à 40 Nm). Serrer le boulon de blocage vertical.

**AVIS :** Des ajustements supplémentaires pourraient être nécessaires au montage après un essai initial avec le bateau sur l'eau. Resserrer périodiquement les quatre vis à 20 à 30 pi-lb (27 à 40 Nm).



## **ATTENTION**

Vérifier la tension des quatre écrous d'ajustement vertical après la première utilisation, et périodiquement après, afin d'assurer qu'ils sont au couple de serrage recommandé de 20 à 30 pi-lb (27 à 40 Nm).

# INSTALLATION

## Installation du support de plateau ajustable

1

### ARTICLE(S) REQUIS



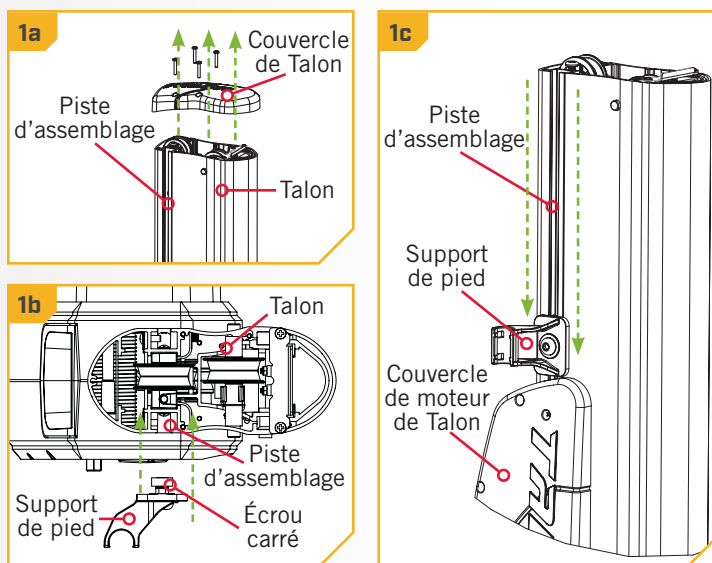
- a. Alors que l'alimentation du Talon est toujours débranchée, retirer le couvercle supérieur du Talon à l'aide d'un tournevis Phillips n° 2. Il y a un total de 2 ou de 4 vis qui retiennent le couvercle en place.

### **AVERTISSEMENT**

Pour éviter une électrocution ou le fonctionnement inattendu du Talon, veiller à ce que le moteur ne soit pas connecté à une source d'alimentation.

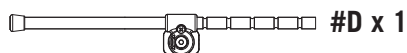
- b. Installer le support de pied (assemblage E) du côté bâbord (gauche) du Talon. Pour ce faire, desserrer l'écrou carré jusqu'à ce qu'il soit au même niveau que l'extrémité de la vis.
- c. Glisser le support dans la piste de l'assemblage en s'assurant que la rondelle se trouve sur l'extérieur de la piste et que l'écrou carré est sur l'intérieur de la piste.
- d. Pour l'instant, placer le support de pied contre le bord supérieur du couvercle du moteur du Talon. Le positionnement final de ce support sera déterminé plus tard.

**AVIS :** Prendre soin de ne pas endommager les fils du couvercle de Talon, dans le cas des Talons équipés d'éclairage de travail.

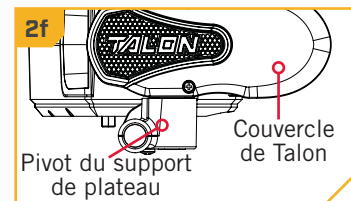
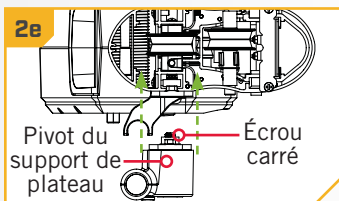
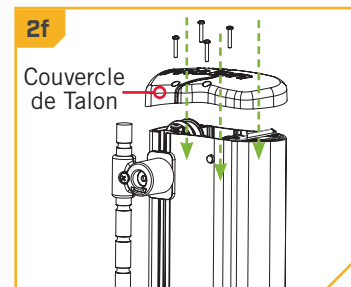
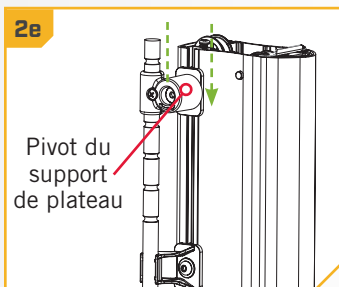


## 2

### ARTICLE(S) REQUIS



- e. Prendre et installer le pivot du support de plateau (assemblage D) en desserrant l'écrou carré jusqu'à ce qu'il soit affleurant à l'extrémité des filets de la vis à épaulement. Glisser le support dans la piste d'assemblage du Talon. S'assurer que la rondelle se trouve sur l'extérieur du Talon et que l'écrou carré est sur l'intérieur de la piste. Le pivot de support de plateau installé sera déjà équipé du support de pied. À ce stade, ne pas serrer complètement les fixations.
- f. Reposer le couvercle du Talon qui a été enlevé. Serrer fermement les quatre vis.



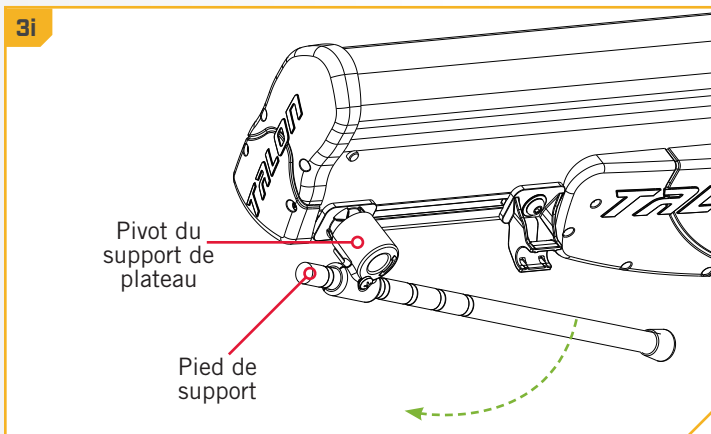
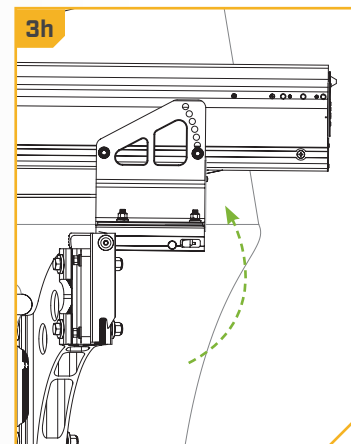
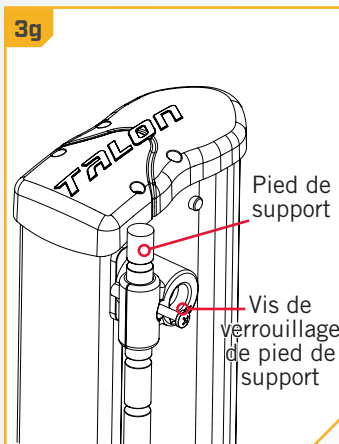
## 3

- g. Desserrer la vis de verrouillage du pied de support jusqu'à ce qu'elle bouge librement.
- h. Afin de déterminer la meilleure position du pied de support, relâcher le support inclinable Talon en appuyant sur le levier de dégagement. Une fois le Talon soutenu, l'abaisser dans le support inclinable.

### **⚠ ATTENTION**

Au moment d'effectuer des travaux sur le Talon ou sur le bateau, s'assurer que le poids du Talon est soutenu lorsque le support inclinable est engagé pour incliner le Talon. Si le Talon n'est pas soutenu, il peut tomber et causer des blessures et des dommages. Éviter le risque de blessures en soutenant le poids du Talon.

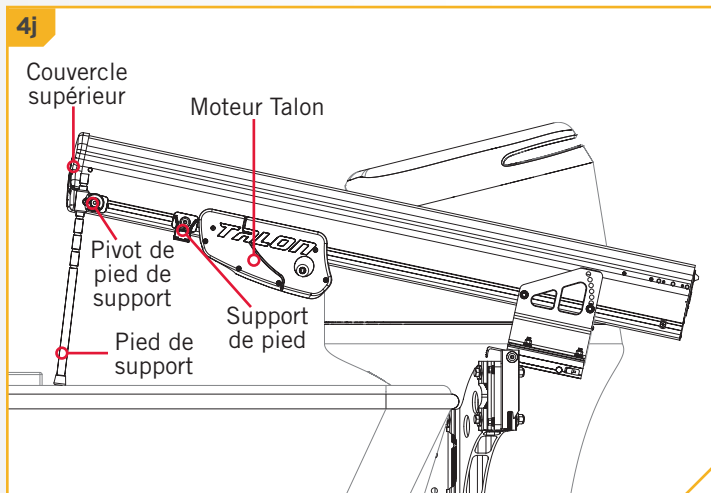
- i. Tirer le pivot de support de plateau et le tourner à 90 degrés. Le pivot se verrouillera en position « en usage ».



# INSTALLATION

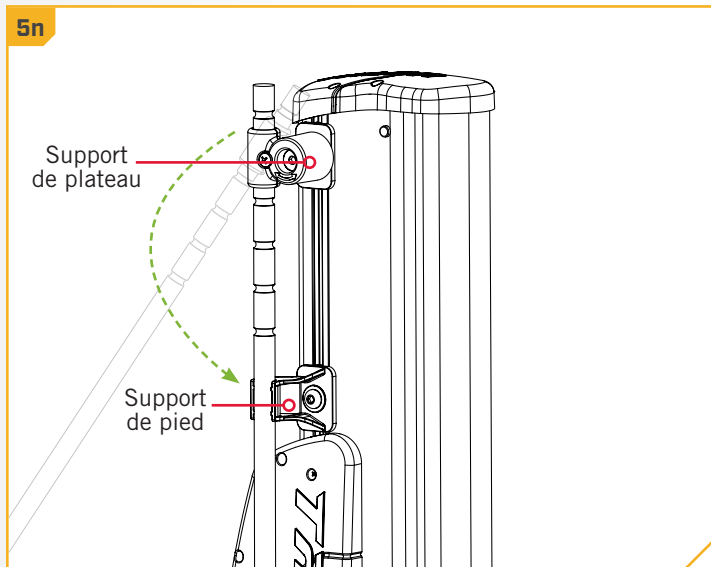
## 4

- j. Positionner le pivot de pied de support le long du Talon, entre le couvercle supérieur du Talon et le moteur du Talon, selon le meilleur emplacement pour votre bateau. Serrer le pivot du pied de support en place à l'aide d'une clé hexagonale de  $\frac{1}{4}$  po (6,35 mm).
- k. Ajuster la longueur du pied à l'une des fentes usinées qui convient le mieux et resserrer la vis de verrouillage qui a été desserrée.
- l. Ajuster la position du support de pied selon la longueur ajustée du support de pied afin que l'extrémité du pied repose dans son appui. Serrer le support de pied à l'aide d'une clé hexagonale de  $\frac{7}{32}$  po (5,56 mm).



## 5

- m. Basculer le Talon vers le haut en position d'opération normale et vérifier que le support inclinable se verrouille.
- n. Ensuite, sortir en tirant et faire pivoter le support de plateau pour le remettre en place dans le support de pied.
- o. Après les derniers ajustements à la longueur de la patte de support, toute longueur en trop peut être coupée juste au-dessus du pivot du support de plateau à l'aide d'une scie à main ordinaire.





# DÉCLARATIONS DE CONFORMITÉ

## DÉCLARATION DE CONFORMITÉ ENVIRONNEMENTALE

Il est dans l'intention de JOME d'être une entreprise citoyenne responsable, dont l'exploitation est conforme à la réglementation environnementale en vigueur et qui est connue pour être un bon voisin dans les collectivités où nous fabriquons ou vendons nos produits.

### DIRECTIVE DEEE

La directive européenne 2002/96/CE « Directive concernant les déchets d'équipements électriques et électroniques (DEEE) » a un impact sur la plupart des distributeurs, vendeurs et fabricants d'électronique pour le grand public au sein de l'Union européenne. La directive DEEE exige que le producteur d'électronique pour le grand public prenne une part de responsabilité, en ce qui concerne la gestion des déchets de leurs produits, afin d'atteindre une élimination écologique, et ce, tout au long du cycle de vie du produit.

Il se peut que, selon votre emplacement, vous ne soyez pas tenu (e) de vous conformer à la directive DEEE pour ce qui est des équipements électriques et électroniques (EEE), et il se peut qu'il en soit de même pour les EEE conçus et destinés à être utilisés comme installations fixes ou temporaires dans les véhicules de transport tels que les voitures, les avions et les bateaux. Dans certains États de l'Union européenne, ces véhicules sont réputés ne pas relever de la directive, et les EEE, pour ces applications peuvent être considérés comme exclus de l'exigence de la directive DEEE.

Ce symbole (DEEE poubelle sur roues) sur le produit indique que ce dernier ne doit pas être jeté avec les déchets domestiques. Il doit être éliminé et collecté pour le recyclage et la récupération des DEEE. Johnson Outdoors Inc. marquera tous les produits EEE en conformité avec la directive DEEE. C'est notre but de nous conformer à la collecte, au traitement, à la récupération et à l'élimination écologique judicieuse de ces produits, mais ces exigences varient au sein des différents États membres de l'Union européenne. Pour de l'information supplémentaire sur l'endroit où vous pouvez éliminer les équipements usagés pour leur recyclage et leur récupération et/ou selon les exigences particulières de l'État membre de l'Union européenne, veuillez communiquer avec le détaillant ou le distributeur duquel vous avez acheté le produit.



### ÉLIMINATION

Les moteurs Minn Kota ne sont pas soumis à la réglementation concernant l'élimination VGE-VO (directive pour les dispositifs électriques), qui transpose la directive DEEE. Néanmoins, ne jamais jeter le moteur Minn Kota dans une poubelle, mais plutôt à l'endroit approprié où s'effectue la collecte, recommandé par le conseil municipal local.

Ne jamais jeter aucune batterie à la poubelle. Se conformer aux directives d'élimination du fabricant ou de son représentant et la jeter à l'endroit approprié où s'effectue la collecte, recommandé par le conseil municipal local.

# DÉPANNAGE ET RÉPARATIONS

## POUR D'AUTRES SERVICES DE DÉPANNAGE ET DE RÉPARATION

Nous offrons plusieurs options de dépannage et/ou de réparation pour le produit. Veuillez parcourir les options énumérées ci-dessous.



### Acheter des Pièces en Ligne

Vous pouvez acheter des pièces en ligne directement à partir de notre site web à [minnkotamotors.com](http://minnkotamotors.com). Les commandes confirmées avant midi (heure du centre) seront expédiées le jour même, si les articles sont en stock. Les commandes placées après midi (heure du centre) seront expédiées le jour suivant, si les articles sont en stock.



### Foire Aux Questions

Notre site Web met à votre disposition des FAQ visant à répondre à toutes vos questions au sujet des produits Minn Kota. Veuillez visiter le site Web [minnkotamotors.com](http://minnkotamotors.com) puis cliquer sur "Foire Aux Questions" pour trouver réponse à vos questions.



### Appelez-Nous (Pour les états-unis et le Canada)

Nos représentants du service à la clientèle sont disponibles du lundi au vendredi, de 7 h à 16 h 30 (hnc), au 800-227-6433. Pour commander des pièces, veuillez avoir sous la main le numéro de série à 11 chiffres du produit, les numéros des pièces nécessaires et les renseignements relatifs à la carte de crédit. Vous économiserez ainsi du temps pour un service à la clientèle de qualité supérieure. Vous pouvez consulter la liste de votre manuel pour obtenir les numéros.



### Envoyez-Nous un Courriel

Vous pouvez envoyer par courriel vos questions au sujet des produits minn kota à notre service à la clientèle. Pour transmettre votre question par courriel, visitez [minnkotamotors.com](http://minnkotamotors.com), puis cliquez sur "Soutien".



### Centres de Service Agréés

Minn Kota compte plus de 300 centres de service agréés aux États-Unis et au Canada pour acheter des pièces ou faire réparer vos produits. Veuillez consulter la page Centres de service agréés sur notre site Web pour trouver un centre de service dans votre région.



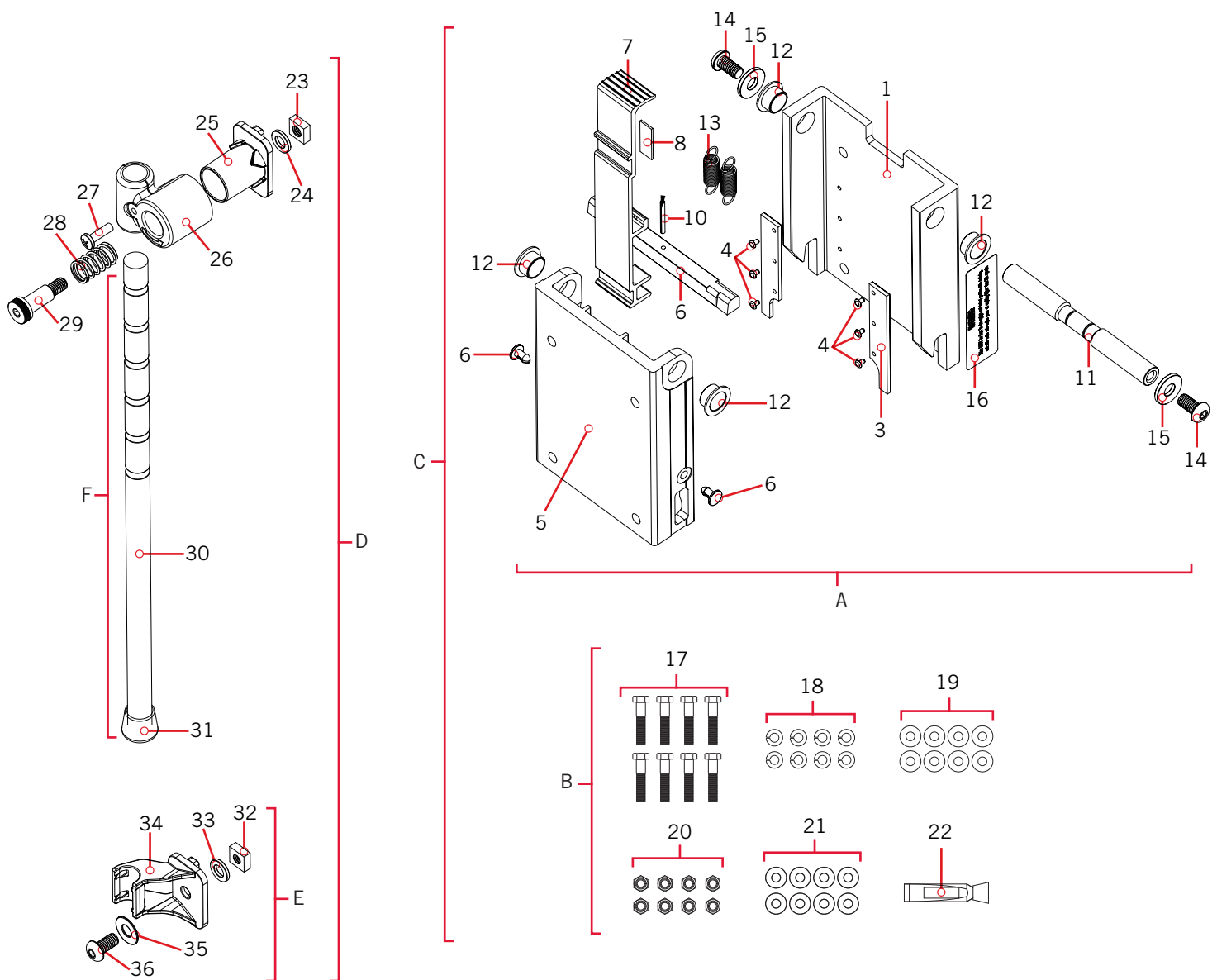
Balayez le code QR pour visiter le service en ligne Minn Kota.

# SCHÉMA DES PIÈCES ET LISTE DES PIÈCES

## SUPPORT INCLINABLE TALON

Ce schéma des pièces et cette liste des pièces fournissent les directives pour la dépose de Minn Kota® en conformité avec la directive DEEE. Pour de l'information supplémentaire sur l'endroit où vous pouvez éliminer les équipements usagés pour leur recyclage et leur récupération et/ou selon les exigences particulières de l'État membre de l'Union européenne, veuillez communiquer avec le détaillant ou le distributeur duquel vous avez acheté le produit. Outils requis, entre autres : tournevis à tête plate, tournevis cruciforme, jeu de douilles, pinces, cisailles.

### Diagramme des pièces du support inclinable du Talon



# SCHÉMA DES PIÈCES ET LISTE DES PIÈCES

## » Liste des pièces du support inclinable du Talon

Ensemble	N° de pièce	Description	Qté
A	✘	TALON TILT BRACKET	1
B	2994910	BAG ASSY, TALON TILT BRACKET	1
C	2770237	TALON TILT BRACKET & BAG ASSY	1
D	2992345	DECK SUPPORT PIVOT & LEG W/ TIP SUPPORT	1
E	✘	CRUTCH/PIVOT ASM, TILT BRACKET	1
F	2992341	CRUTCH, TILT BRACKET ASSEMBLY	1
Article	N° de pièce	Description	Qté
1	2371941	BASE-TILT, MACHINED	1
2	2375119	PAD-WEAR, LEFT,TALON TILT BRKT	1
3	2375114	PAD-WEAR,RIGHT,TALON TILT BRKT	1
4	2378601	RIVET-POP, 1/8", 316 SS	6
5	2370237	COVER-TILT, MACHINED	1
6	2376730	PLUG-SPACER,TALON TILT BRK	2
7	2377218	LEVER-TILT, MACHINED	1
8	2375417	INSULATOR, TILT BRACKET	1
9	2372671	PIN-LATCH, TILT BRACKET	1
10	2372654	PIN-SPRING 1/8"X 1 1/4" SS	1
11	2372667	PIN-PIVET, 2-GROOVE, SS	1
12	2370007	BEARING-SLEEVE, .625 X .375	4
13	2372744	SPRING, LATCH, TILT BRACKET	2
14	2383443	SCREW-3/8-16 BHCS, SS	2
15	2371759	WASHER-3/8 HD FENDER SS	2
16	2375769	LABEL-WARNING,TILT BRACKET	1
17	2373521	BOLT-5/16-18 X 1 1/2" HHCS SS	8
18	2371756	WASHER-LOCK, 5/16"	8
19	2261722	WASHER-FLAT 5/16 S/S	8
20	2223100	NUT-5/16-18 NYLOCK S/S	8
21	2371746	WASHER .750 X .3125 SS	8
22	2378608	ANTI SEIZE TUBE, 4CC, TALON	1
23	2373131	NUT-SQUARE 3/8-18 SS	1
24	2371758	WASHER-3/8 HD FLAT SS	1
25	2372355	CRUTCH, INNER PIVOT (2992345)	1
26	2372346	CRUTCH, OUTER PIVOT, MACH	1
27	2073408	SCREW-1/4-20 X 7/8 PPH S/S	1
28	2372747	SPRING, TALON STABILIZER	1
29	2373531	BOLT-SHOULDER,TALON STABILIZER	1

✘ Cette pièce est incluse dans un ensemble et ne peut pas être commandée individuellement.

▲ Non visible sur le schéma des pièces.

## SCHÉMA DES PIÈCES ET LISTE DES PIÈCES



Article	N° de pièce	Description	Qté
30	✘	CRUTCH, TILT BRACKET ASSEMBLY	1
31	2265100	BUMPER	1
32	2371758	WASHER-3/8 HD FLAT SS	1
33	2373131	NUT-SQUARE 3/8-18 SS	1
34	2372360	CRUTCH,SUPPORT,INJ.MOLDED(N/A)	1
35	2091701	WASHER-PROP (LARGE) MAX101	1
36	2383443	SCREW-3/8-16 BHCS, SS	4
▲	2374976	INSTR.SHEET,TILT BRKT 8'10'12'	1

✘ Cette pièce est incluse dans un ensemble et ne peut pas être commandée individuellement.

▲ Non visible sur le schéma des pièces.



# ACCESSOIRES RECOMMANDÉS

## CHARGEURS DE BATTERIE EMBARQUÉS ET PORTATIFS

Ne plus acheter de nouvelles batteries et commencer à prendre soin de celles déjà en votre possession. Plusieurs chargeurs peuvent en fait endommager les batteries à la longue, pouvant entraîner une autonomie réduite et une durée de vie plus courte. Les chargeurs Minn Kota à commande numérique assurent une charge rapide pour une protection et une durée de vie prolongée.



MK212PC



MK210D



MK110PD

## ACCESSOIRES DE TALON

### SUPPORTS ADAPTATEURS MODULAIRES UNIVERSELS

Il est facile de choisir votre support et de l'installer. Et il est presque impossible de l'arrêter. Les supports adaptateurs modulaires universels de Talon sont plus robustes que la normale, et leur design modulaire innovant vous permet de mettre Talon dans la position parfaite sur votre bateau.

#### Une force sans égal

Nous fabriquons Talon avec une puissance intransigeante. Et nous fabriquons les supports de la même manière. Fabriqués avec de l'aluminium extrudé et renforcés par un assemblage robuste, nos supports permettent de stabiliser Talon pour un remorquage ou pour traverser des eaux agitées.

Support adaptateur  
timon



1810340

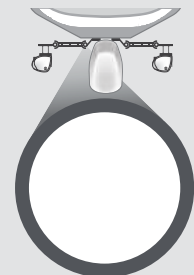
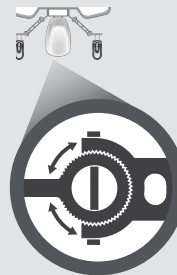
Support adaptateur  
en sandwich



1810303

#### Design modulaire universel

Deux supports. N'importe quel tableau arrière. Le design universel s'adapte à toutes les situations, et les supports peuvent être réglés et ajustés pour atteindre la position idéale. Deux points de pivot vous permettent de mettre Talon dans la position idéale (en fonction du style de votre tableau arrière, de l'emplacement du hors-bord et d'autres facteurs). Une fois en position, enclencher les dents de la pince vers le bas pour verrouiller la position.



### SUPPORT INCLINABLE TALON

Ce support inclinable en aluminium anodisé de qualité marine convient aux zones à hauteur limitée et aux entrepôts de bateaux. Doté d'un support de pont réglable pour une stabilité supplémentaire lors de l'inclinaison.



1810222

