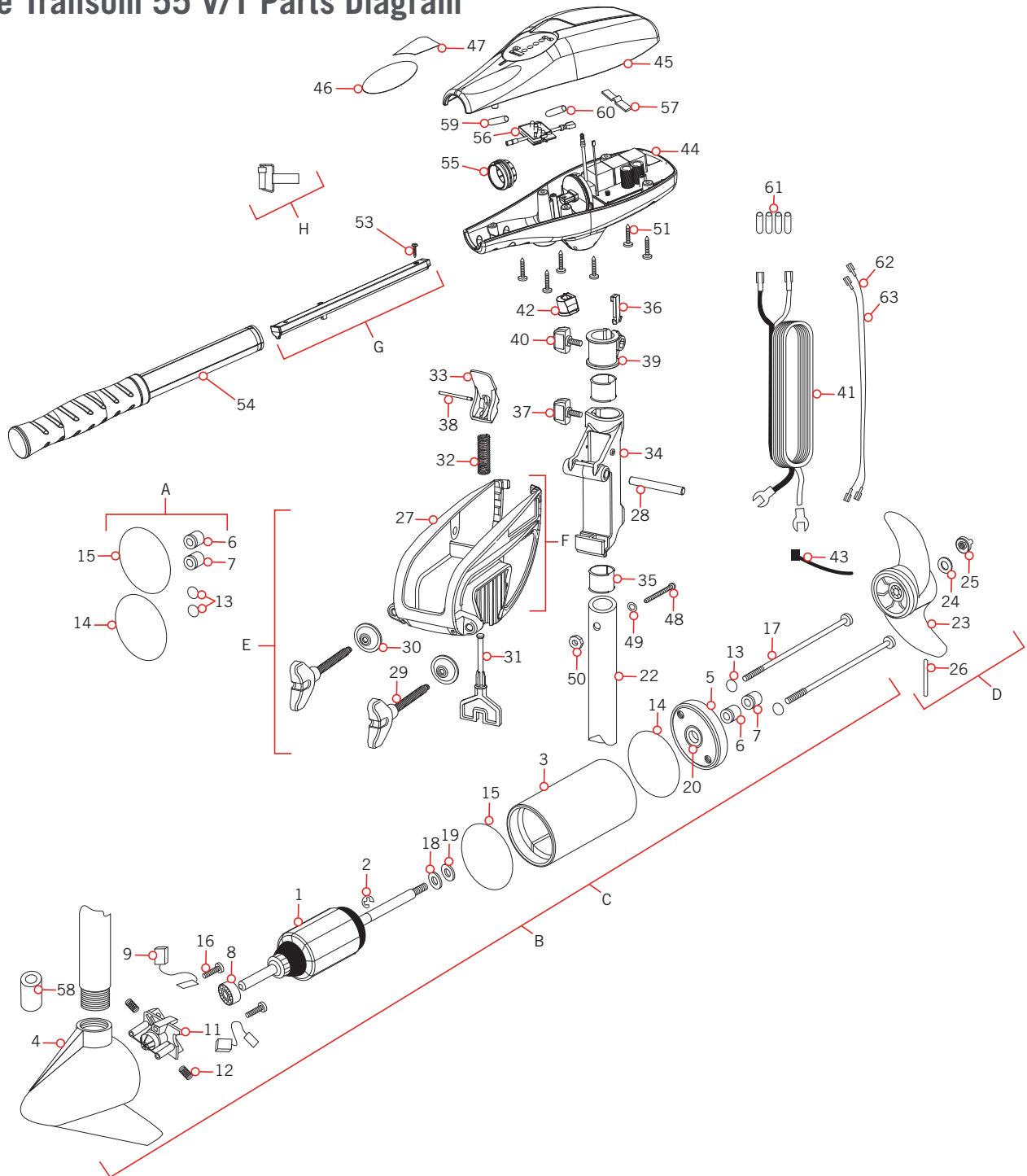


PARTS DIAGRAM & PARTS LIST

RIPTIDE TRANSM 55 V/T - 55 LBS THRUST - 12 VOLT - 36"/42" SHAFT

This page provides Minn Kota® WEEE compliance disassembly instructions. For more information about where you should dispose of your waste equipment for recycling and recovery and/or your European Union member state requirements, please contact your dealer or distributor from which your product was purchased. Tools required, but not limited to: flat head screw driver, Phillips screw driver, socket set, pliers, wire cutters.

› Riptide Transom 55 V/T Parts Diagram



PARTS DIAGRAM & PARTS LIST

› Riptide Transom 55 V/T Parts List

Assembly	Part #	Description	Quantity
A	2888460	SEAL AND O-RING KIT	1
B	2097078	MOTOR ASSEMBLY 12 V 3.62 SW 36"	1
C	2097093	MOTOR ASSEMBLY 12 V 3.62 SW 42"	1
D	1378170	PROPELLER KIT	1
E	2771816	BRACKET & HINGE ASSEMBLY	1
F	2771913	BRACKET ASSEMBLY	1
G	2990924	INNER HANDLE ASSEMBLY	1
H	2882726	BALL DETENT, RTNR SPRING ASM KIT	1
Item	Part #	Description	Quantity
1	2-100-117	ARMATURE ASSEMBLY 12V 3.62	1
2	788-015	RETAINING RING	1
3	2-200-301	HOUSING ASSEMBLY CENTER 3.62 SW	1
4	421-336	BRUSH END HOUSING ASSEMBLY 3.62	1
5	2-400-337	PLAIN END HOUSING ASSEMBLY 3.62	1
6	880-003	SEAL	1
7	880-006	SEAL W/SHIELD	1
8	140-010	BALL BEARING	1
9	188-036	BRUSH ASSEMBLY	2
11	738-036	BRUSH PLATE W/HOLDER 3.62	1
12	975-040	TORSION SPRING	2
13	701-008	O-RING — THRU BOLT	2
14	701-081	O-RING	1
15	337-036	GASKET	1
16	830-007	SCREW — SELF THREAD #8-32	2
17	830-042	THRU BOLT #10-32 X 8.83	2
18	990-067	WASHER — STEEL THRUST	1
19	990-070	WASHER — NYLATRON	1
20	144-049	FLANGE BEARING (SERVICE ONLY)	1
22	2002021	36" COMPOSITE TUBE	1
	2002022	42" COMPOSITE TUBE	1
23	2091170	PROPELLER 3.62 HUB DIA	1
24	2151726	WASHER — 5/16 STD SS	1
25	2198400	ZINC ANODE	1
26	2092600	DRIVE PIN	1
27	✘	BRACKET	1
28	2060511	HINGE PIN	1
29	✘	SCREW — CLAMP	2

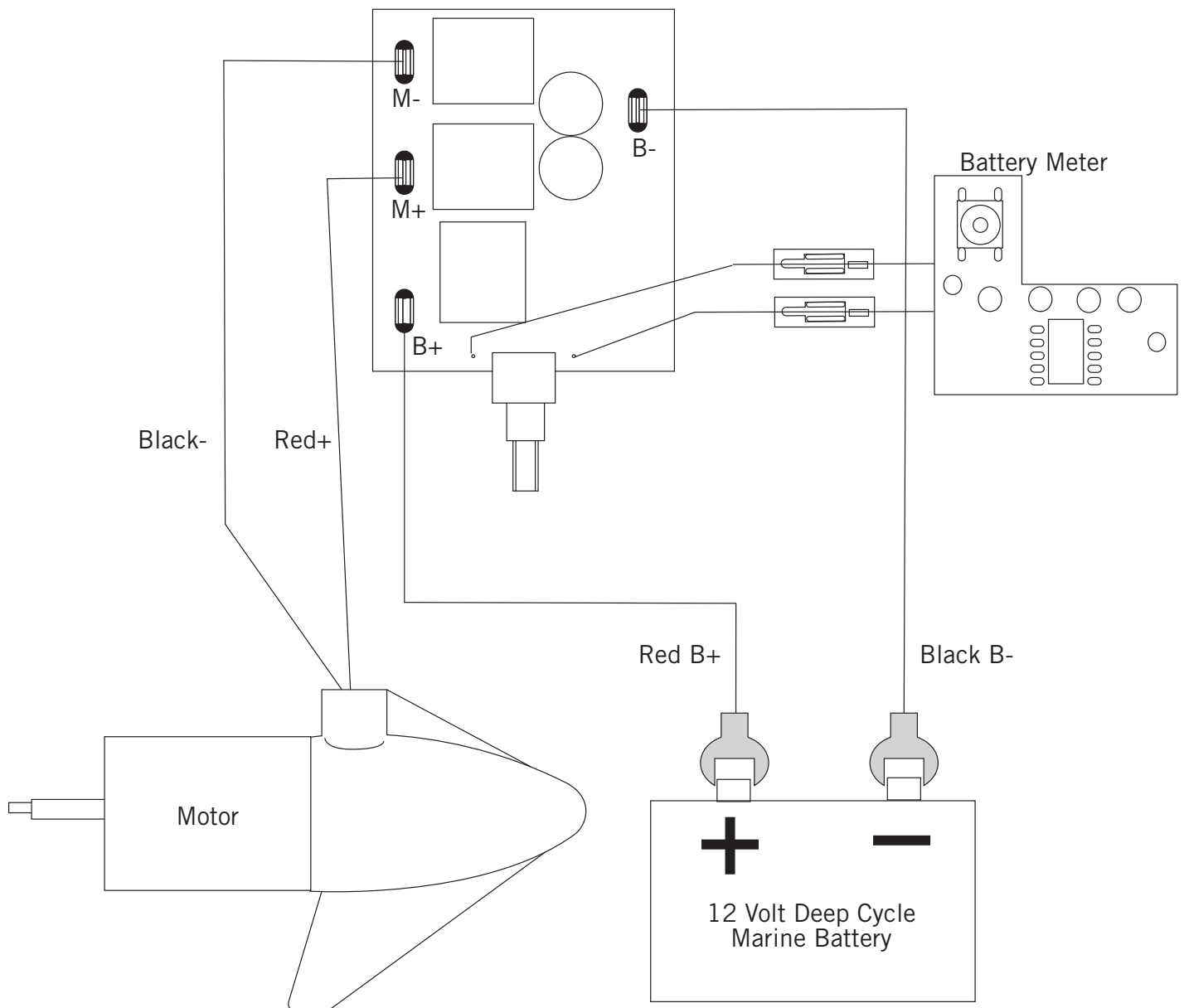
Item	Part #	Description	Quantity
30	✘	WASHER — CLAMP SCREW	2
31	2063605	PLASTIC T-BAR	1
32	2062706	T-BAR SPRING	1
33	2067201	TILT BLACK LEVER	1
34	2061810	PLASTIC HINGE	1
35	2037301	HINGE BUSHING	2
36	2062800	SNAP-IN TENSION BLOCK	1
37	2011386	SCREW — TENSION/KNOB	1
38	2060516	TILT LEVER PIN	1
39	2061520	DEPTH COLLAR	1
40	2011366	SCREW — COLLAR/NEW KNOB	1
41	2050609	LEADWIRE	1
42	2062905	STRAIN RELIEF	1
43	2376312	TIE WRAP	1
44	2994041	CONTROL BOX WHITE	1
45	2060228	CONTROL BOX COVER WHITE	1
46	2095645	DECAL COVER RIPTIDE 55 VS/T	1
47	2095646	COVER DECAL, RT/VS/T	1
48	2033403	SCREW-10-24 X 1-3/4, SS	1
49	2061720	WASHER-NYLON, 3/8 OD, 3/16 ID	1
50	2333101	NUT-10-24 HEX, SS	1
51	2372100	SCREW-8-18 X 5/8, SS	6
52	2990461	OUTER HANDLE ASSEMBLY	1
53	2012104	SCREW-#6 X 1/2" SS	1
55	2060009	FRONT BEARING	1
56	2074080	BATTERY METER 12V	1
57	2302742	SPRING DETENT, OFF	1
58	2307312	FERRITE BEAD	1
59	2305415	SHRINK TUBE - .472 ID X 2.25"	1
60	2305410	SHRINK TUBE - .315 OD X 2.25"	1
61	2305403	SHRINK TUBE - .500 ID 1.0" ADHSV	4
62	640-002	BLACK LEADWIRE 52"	1
	640-004	LEADWIRE BLACK 56"	1
63	640-113	RED LEADWIRE 54"	1
	640-105	LEADWIRE RED 58"	1

✘ This part is included in an assembly and cannot be ordered individually.

▲ Not shown on Parts Diagram.

MOTOR WIRING DIAGRAM

RIPTIDE TRANSOM



NOTICE: Double-check your motor's voltage for proper connections. Over-Current Protection Devices are not shown in this illustration.