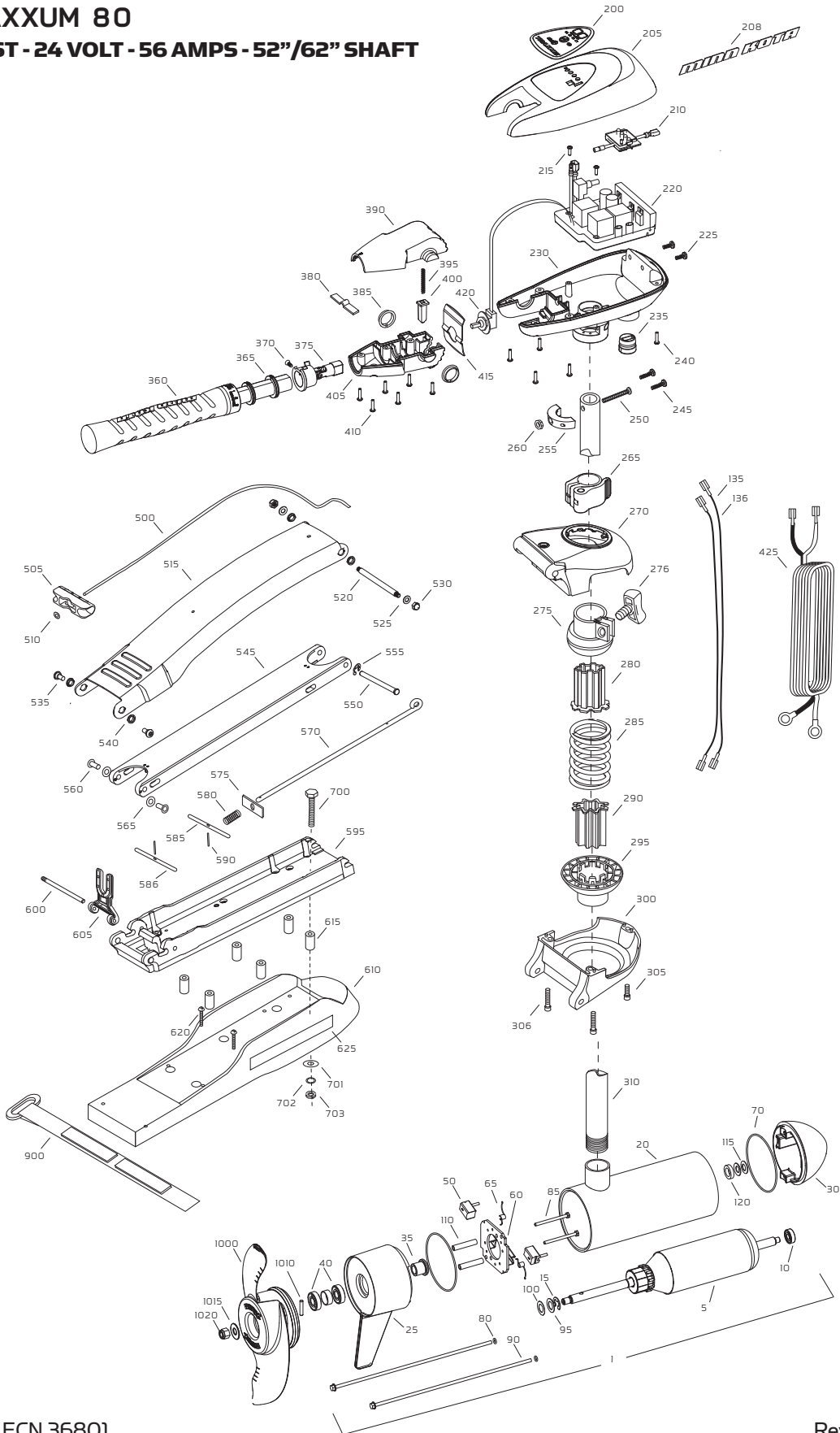


PARTS DIAGRAM

for use with "Q" serial numbers 2-year warranty

RIPTIDE MAXXUM 80

80 LBS THRUST - 24 VOLT - 56 AMPS - 52"/62" SHAFT



PARTS LIST

RIPTIDE MAXXUM 80

80 LBS THRUST - 24 VOLT - 52"/62" SHAFT

ITEM	QTY	PART NUMBER	DESCRIPTION
1	1	2316228	24V MOTOR 52" SW
		2316226	24V MOTOR 62" SW
5	1	2-100-214	ARMATURE ASSEMBLY
10	1	140-010	BEARING
15	1	788-040	RETAINING RING
20	1	2-200-397	CENTER HOUSING ASSEMBLY
25	1	2-300-340	BRUSH END HOUSING ASSEMBLY
30	1	421-376	PLAIN END HOUSING ASSEMBLY
35	1	144-017	FLANGE BEARING
40	2	880-025	SEAL
50	2	188-094	BRUSH
60	1	9-738-004	BRUSH PLATE ASSEMBLY
65	2	975-041	BRUSH SPRING
70	2	701-043	O-RING, MOTOR
80	2	701-009	O-RING, THRU-BOLT
85	2	830-027	SCREW, 10-32
90	2	830-094	THRU-BOLT
95	2	990-051	WASHER, STEEL
100	2	990-052	WASHER, NYLATRON
110	2	973-025	SPACER, BRUSH PLATE
115	2	992-010	WASHER, BELLEVILLE
120	1	990-045	SPACER THRUST
135	1	640-018	LEADWIRE, BLACK 52"
	1	640-021	LEADWIRE, BLACK 62"
136	1	640-123	LEADWIRE, RED 52"
	1	640-126	LEADWIRE, RED 62"
■		2889460	SEAL AND O-RING KIT
200	1	2195659	DECAL, C-BOX COVER
205	1	2060296	C-BOX COVER
208	2	2325666	DECAL - MINNKOTA
210	1	2074081	BATTERY METER, 24V SW
215	2	3043427	SCREW #8 X 7/8 SS
220	1	2184017	CONTROL BOARD 24/36 V
■		2888411	POTENTIOMETER REPLACEMENT KIT
225	2	2303434	SCREW #8-30 X 5/8 SS
230	1	2062503	CONTROL BOX, VARS, SW
235	1	2062905	STRAIN RELIEF
240	6	2303412	SCREW, #6 X 5/8 SS
245	2	2263434	SCREW #8 X 1 SS
250	1	2263406	SCREW, #10-24 X 2 SS
255	1	2061517	COLLAR, C-BOX
260	1	2333101	NUT, 10-24, NYLOCK, SS
265	1	2991521	CAM LOCK/DEPTH COLLAR ASSY
■	1	2991764	BOWGUARD ASSEMBLY [270-306]
270	1	2991779	BRACKET, TOP
275	1	2261525	SPRING SLEEVE, UPPER
276	1	2011366	KNOB, COLLAR
280	2	2264702	TUBE INSERT, BOWMOUNT
285	1	2262705	SPRING, BOWGUARD
295	1	2261535	SPRING SLEEVE, LOWER
300	1	2991777	BRACKET ASSY, BOTTOM
305	1	2263422	SCREW, 5/16 X 1" SHCS SS
306	2	2263424	SCREW, 5/16 X 2.5" SHCS SS
310	1	2002014	TUBE COMPOSITE 52"
	1	2002015	TUBE COMPOSITE 62"
■	1	2990957	HANDLE ASSY, VARS [360-410]
360	1	2990456	GRIP/HANDLE ASSY, VARS [360-375]
365	2	2060015	BEARING, HANDLE
370	1	2063405	SCREW, #6 PFH SS
375	1	2884092	YOKE / SPIDER ASSY, VARS
380	1	2302742	SPRING, DETENT, OFF

ITEM	QTY	PART NUMBER	DESCRIPTION
385	2	2060005	BEARING, HANDLE PIVOT
390	1	2060900	HANDLE PIVOT, TOP
395	1	2302745	SPRING, RELEASE BUTTON
400	1	2063700	BUTTON, RELEASE
405	1	2060905	HANDLE PIVOT, BOTTOM
410	6	2303412	SCREW, #6 X 5/8 SS
415	1	2062715	SPRING, HANDLE PIVOT
420	1	2061700	WASHER, POT HOLDER
425	1	2992521	EADWIRE ASSY-HC BOW VAR
■	1	2991845	MOUNT, BOW ASSY W/ BOWGUARD 52" (270-306) (500-625)
	1	2991847	MOUNT, BOW ASSY W/ BOWGUARD 62" (270-306) (500-625)
500	1	2251601	ROPE
505	1	2150400	PULL GRIP
510	1	2151700	WASHER
515	1	2264244	ARM, UPPER, STD, SW 52"
	1	2264249	ARM, UPPER, STD, SW 62"
520	1	2262604	PIN, BOWGUARD, UPPER
525	2	2261722	WASHER, 5/16"
530	2	2223100	NUT, 5/16-18 SS
535	2	2263500	BOLT, SHOULDER
540	2	2293501	BUSHING, SS
545	1	2994351	ARM, LOWER, STD, SW 52"
	1	2994356	ARM, LOWER, STD, SW 62"
550	1	2262622	PIN, CLEVIS SS
555	1	2263011	E-CLIP
560	2	2267318	BUSHING, NYLINER
565		2261708	WASHER, SPACER, .010 THK
570	1	2153603	EYESHAFT, SS 52"
	1	2153605	EYESHAFT, SS 62"
575	1	2262703	SPRING STOP
580	1	2152701	SPRING, LOCK BAR
585	1	2233621	LOCK BAR, FRONT, SS
586	1	2233623	LOCK BAR, BACK, SS
590	2	2152612	SPRING PIN
595	1	2773983	BOWPLATE W/ INSERT, STD, SW 52"
	1	2773982	BOWPLATE W/ INSERT, STD, SW 62"
600	1	2260505	HINGE PIN, SS
605	1	2293811	YOKE, MAX
610	1	2263917	MOTOR REST, STD, SW 52"
	1	2263919	MOTOR REST, STD, SW 62"
615	6	2261505	SPACER, MOTOR REST
620	2	2263434	SCREW, #8, SS
625	2	2065677	DECAL, MOTOR REST
■	1	2994830	BAG ASSEMBLY
700	6	2263431	SCREW, 1/4-20 X 3 1/2" PPH, SS
701	6	2301720	WASHER, RUBBER MOUNTING
702	6	2261713	WASHER, 1/4 SS
703	6	2263101	NUT, 1/4-20 NYLOCK, SS
900	1	2263804	STRAP, HOLD DOWN
■		1378132	PROPELLER KIT WW2
■		2994876	PROPELLER BAG ASSY
1000	1	2331160	PROPELLER WW2
1010	1	2262658	DRIVE PIN, SMALL
1015	1	2091701	WASHER, PROP, SMALL
1020	1	2198401	NUT, NYLOCK, PROP, SMALL

■ THIS ITEM IS PART OF AN ASSEMBLY.

*THIS ITEM IS PART OF A KIT AND ONLY LISTED FOR VIEWING PURPOSES.

MOTOR WIRING DIAGRAM

NOTE: This is a universal, multi-voltage diagram. Double-check your motor's voltage for proper connections. Over-Current Protection Devices not shown in this illustration.

Riptide Maxxum 80 is 24-volts only!

VARIABLE SPEED CONTROL BOARD

