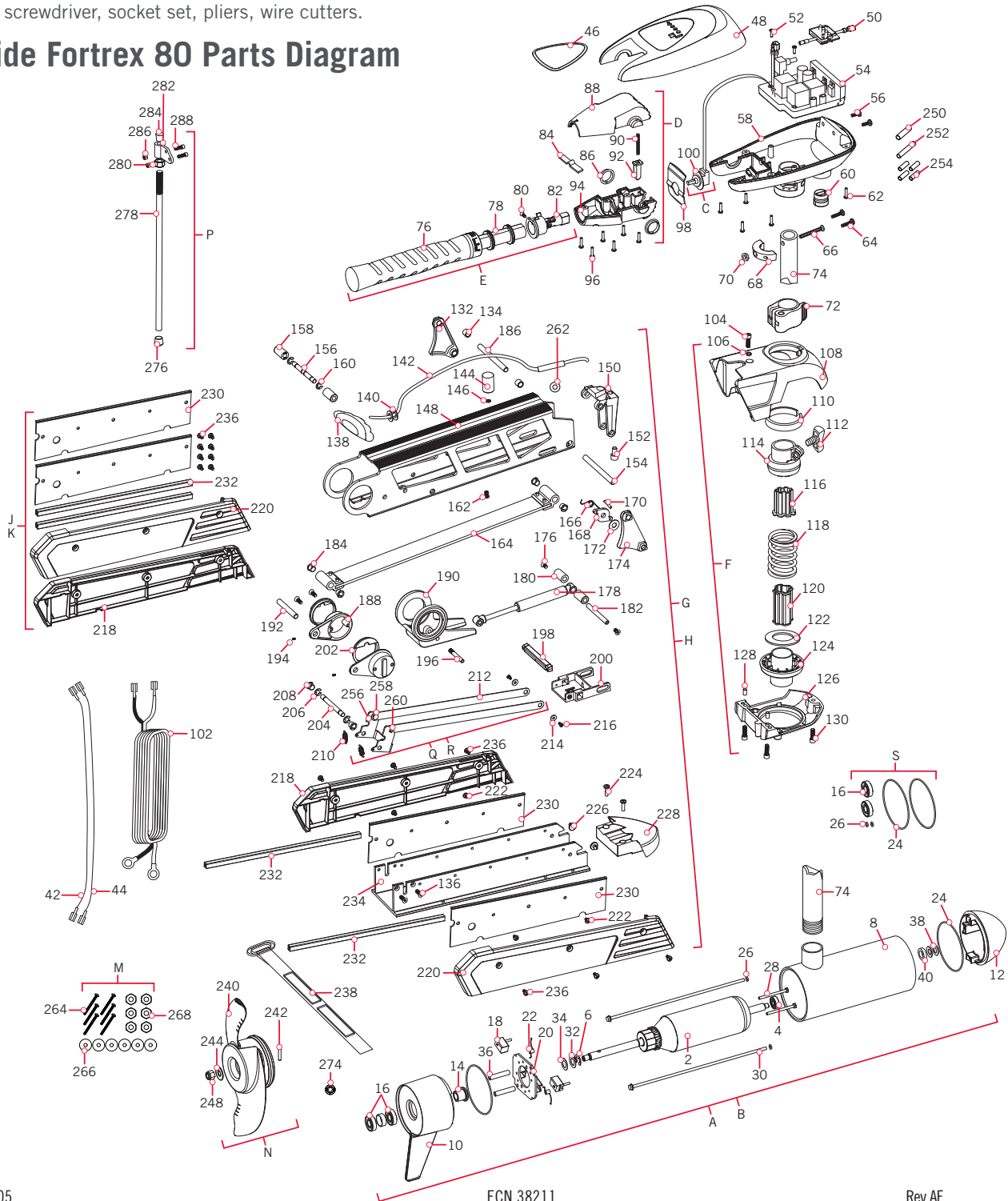


PARTS DIAGRAM & PARTS LIST

RIPTIDE FORTREX 80 - 80 LBS THRUST - 24 VOLT - 52"/62" SHAFT

The parts diagram and parts list provides Minn Kota® WEEE compliance disassembly instructions. For more information about where you should dispose of your waste equipment for recycling and recovery and/or your European Union member state requirements, please contact your dealer or distributor from which your product was purchased. Tools required, but not limited to: flat head screwdriver, Phillips screwdriver, socket set, pliers, wire cutters.

› Riptide Fortrex 80 Parts Diagram



PARTS DIAGRAM & PARTS LIST

▶ Riptide Fortrex 80 Parts List

Assembly	Part #	Description	Quantity
A	2316225	MTR ASY 24V 4" 80# SW *52"*	1
B	2316222	MTR ASY 24V 4" 80# SW *62"*	1
C	2068411	POTENTIOMETER REPLACEMENT KIT	1
D	2990468	HANDLE ASSY, VARS	1
E	2990466	GRIP ASSY, VARS	1
F	2991757	BOWGUARD ASSY SW	1
G	2991787	MNT ASM FORTREX SW 80# HC 52"	1
H	2991788	MNT ASM FORTREX SW 80# 62"	1
J	2883943	SIDE PLATE KIT, SW, SHORT 52"	1
K	2883933	SIDE PLATE KIT, SW, LONG 62"	1
M	2994887	BAG ASSEMBLY	1
N	1378160	PROPELLER KIT WW2	1
P	2991925	BRACKET STABILIZER ASSEMBLY	1
Q	2773600	SHORT LATCH STRAP ASSEMBLY	1
R	2773601	LONG LATCH STRAP ASSEMBLY	1
S	2889460	SEAL AND O-RING KIT	1
Item	Part #	Description	Quantity
2	2-100-214	ARMATURE ASSEMBLY	1
4	140-010	BEARING	1
6	788-040	RETAINING RING	1
8	2-200-394	CENTER HOUSING ASSEMBLY	1
10	2-300-340	BRUSH END HOUSING ASSEMBLY	1
12	421-376	PLAIN END HOUSING ASSY. STD	1
14	144-017	FLANGE BEARING	1
16	880-025	SEAL	2
18	188-094	BRUSH	2
20	2-600-149	BRUSH PLATE ASSEMBLY 4.0 *52"*	1
	2-600-134	BRUSH PLATE ASSEMBLY 4.0 *62"*	1
22	975-041	BRUSH SPRING	2
24	701-043	O-RING, PLAIN END HOUSING	1
26	701-009	O-RING, THRU-BOLT	2
28	830-027	SCREW-BRUSH PLATE	2
30	830-094	THRU-BOLT	2
32	990-051	WASHER, STEEL	1
34	990-052	WASHER, NYLATRON	1
36	973-025	SPACER, BRUSH PLATE	2
38	992-010	WASHER, BELLEVILLE	2
40	990-045	SPACER, THRUST	1
42	640-018	LEADWIRE, BLK 10 AWG *52"*	1
	640-021	LEADWIRE, BLK 10 AWG *62"*	1

Item	Part #	Description	Quantity
44	640-123	LEADWIRE, RED 10 AWG *52"*	1
	640-126	LEADWIRE, RED 10 AWG *64"*	1
46	2195667	DECAL, C-BOX COVER 80#	1
48	2060296	C-BOX COVER	1
50	2074081	BATTERY METER, 24V SW	1
52	2043427	SCREW, #8 X 7/8 SS	2
54	2184027	CONTROL BOARD, 24/36V	1
56	2303434	SCREW, #8-30 X 5/8 SS	2
58	2062538	CONTROL BOX, CAST, SW	1
60	2062905	STRAIN RELIEF	1
62	2303412	SCREW, #6 X 5/8 SS	6
64	2063410	SCREW, #10-32 X 3/4" CAP SS	2
66	2093400	SCREW, #10-24 X 1-7/8" PPH SS	1
68	2061529	COLLAR-CTRL BOX (SW)	1
70	2333101	NUT, 10-24, NYLOCK, SS	1
72	2991521	CAM LOCK/DEPTH COLLAR ASSY	1
74	2002014	TUBE COMPOSITE 52"	1
	2002015	TUBE COMPOSITE 62"	1
76	✖	GRIP HANDLE	1
78	2060015	BEARING, HANDLE	2
80	2063405	SCREW, #6 PFH SS	1
82	2994092	YOKE / SPIDER ASSY, VARS	1
84	2302742	SPRING, DETENT, OFF	1
86	2060005	BEARING, HANDLE PIVOT	2
88	2060900	HANDLE PIVOT, TOP	1
90	2302745	SPRING, RELEASE BUTTON	1
92	2063700	BUTTON, RELEASE	1
94	2060905	HANDLE PIVOT, BOTTOM	1
96	2303412	SCREW, #6 X 5/8 SS	6
98	2062715	SPRING, HANDLE PIVOT	1
100	2061700	WASHER, POT HOLDER	1
102	2992521	LEADWIRE ASSY	1
104	2283414	SCREW-5/16-18 SHCS, RIE COATED	1
106	2281700	WASHER, 5/16 HIGHCOLLAR LOCK	1
108	✖	BOWGUARD TOP, SW	1
110	2280001	BEARING, BOWGUARD TOP	1
112	2011366	KNOB, SS	1
114	2261525	SPRING SLEEVE, UPPER	1
116	2264702	TUBE INSERT, UPPER	1
118	2262705	SPRING, BOWGUARD	1
120	2282000	TUBE INSERT, LOWER	1
122	2281525	SPACER, LOWER SPRING	1
124	2281520	SPRING SLEEVE, LOWER	1

✖ This part is included in an assembly and cannot be ordered individually.

▲ Not shown on Parts Diagram.

PARTS DIAGRAM & PARTS LIST

Item	Part #	Description	Quantity
126	✖	BOWGUARD BOTTOM	1
128	2282612	PIN-SPRING, 5/16", SS	2
130	2283413	SCREW, 3/8-16 SHCS, RIE	3
132	2280800	LINK, BOWGUARD MOUNT, LEFT	1
134	2287303	BUSHING, UPPER PINS	2
136	2283411	SCREW, 1/4-20 X 1" FHS RIE TORX	4
138	2880401	PULL GRIP ASSEMBLY	1
140	2261732	WASHER	2
142	2251601	ROPE ASSEMBLY	1
144	2281516	SPACER, INNER ARM	1
146	2281702	WASHER, LOCK 1/4	1
148	2284202	OUTER ARM, SHORT, 52"	1
	2284212	OUTER ARM, LONG, 62"	1
150	2992322	ROPE GUIDE ASSEMBLY	1
152	2281530	INSERT, THREADED	1
154	2282608	PIN, 7/16 X 5 5/32	1
156	2282602	PIN, 3/8 X 3 3/4	1
158	2261505	SPACER	2
160	2263011	E-RING, 3/8 SHAFT	2
162	2223418	SCREW, 1/4-20 X 1/2 BHCS	1
164	2993819	INNER ARM ASSEMBLY, SHORT MOUNT, 52"	1
	2993821	INNER ARM ASSEMBLY, LONG MOUNT, 62"	1
166	2042711	SPRING, TORSION	1
168	2283620	LATCH, SAFETY	1
170	2282611	SPRING, SAFETY LATCH	1
172	2281704	WASHER 7/16 NYLON	1
174	2280805	LINK, BOWGUARD MOUNT, RIGHT	1
176	2283410	SCREW 1/4-20 X 1/2 PFH	2
178	2288403	GAS SPRING, 80#, SHORT MOUNT	1
	2288404	GAS SPRING, 80#, LONG MOUNT	1
180	2281710	SPACER, GAS SPRING	2
182	2282610	PIN, UPPER, SHOCK	1
184	2280005	BEARING, NYLINER 7/16"	4
186	2282600	PIN, 7/16 X 4 7/8	1
188	2281932	BRACKET, REAR PIVOT	2
190	2281501	YOKE, SHOCK MOUNT	1
192	2282606	PIN, 7/16 X 4 1/2	1
194	2283402	SCREW, SET, 6-32 X 1/4	2
196	2282604	PIN, KNURLED 5/16 X 2	1
198	2283615	LATCH BAR	1
200	2283610	BRACKET - LATCH/STRAP, ROPE PULL	1
202	2287300	BUSHING, REAR PIVOT	2
204	2282602	PIN, 3/8 X 3 3/4	1

Item	Part #	Description	Quantity
206	2263011	E-RING, 3/8 SHAFT	2
208	2280008	BEARING, IGLIDE	2
210	2282720	SPRING, EXTENSION	2
212	✖	LATCH STRAP ASSEMBLY, SHORT MOUNT	1
	✖	LATCH STRAP ASSEMBLY, LONG MOUNT	1
214	2261732	WASHER 8, NYLON	2
216	2373450	SCREW 8-18 X 3/8	2
218	2283938	SIDEPLATE, LEFT, SHORT, SW 52"	1
	2283948	SIDEPLATE, LEFT, LONG SW 62"	1
220	2283933	SIDEPLATE, RIGHT, SHORT, SW 52"	1
	2283943	SIDEPLATE, RIGHT, LONG SW 62"	1
222	2323403	SCREW-1/4-20 X .375 MCH SS CRPH	4
224	2073408	SCREW 1/4-20 X 7/8	2
226	2286700	PLUG, SPACER	2
228	2283900	RAMP, MOTOR	1
230	2283631	RAIL, MACH., MOTOR REST	2
232	2286400	COVER, RAIL, MOTOR REST (SUB)	2
234	2281903	BASE-EXTRUSION, SHORT, MACH 52"	1
	2281913	BASE-EXTRUSION, LONG, MACH 62"	1
236	2323405	SCREW 1/4-20 X 1/2	8
238	2263806	STRAP HOLD DOWN	1
240	2331160	PROPELLER WW2	1
242	2262658	DRIVE PIN, LARGE 1" X 3/16" SS	1
244	2091701	WASHER, PROP, LARGE	1
248	2093101	NUT-PROP, NYLOCK, LG 3/8 SS	
250	2305415	SHRINK TUBE .472 X 2.25"	1
252	2305410	SHRINK TUBE .315 X 2.25	1
254	2305403	SHRINK TUBE .500 X 1.0" ADHSV	4
256	✖	BRACKET-LATCH	1
258	✖	RIVET, SHLDR 5/16 X .159 SS	2
260	✖	BEARING NYLINER 5/16"	2
262	2151700	WASHER-EYESHAFT	1
264	2263468	SCREW-1/4-20 X 2.5" 8/5 PPH	6
266	2263103	NUT-1/4/20 NYLOCK SS	6
268	2261713	WASHER-1/4 FLAT 18-8 SS	6
270	2287101 ▲	MANUAL, RT FORTREX	1
272	2284905 ▲	PARTS LIST RT SF80/101# 52/62"	1
274	2198401	ANODES, ZINC 4.0" LWR UNIT	1
276	2265100	BUMPER (CRUTCH TIP)	1
278	2263624	ANODIZED ALUMINUM 3/4" ROD, 22"	1
280	2263107	HEX NUT 3/4-10 NYLON	1
282	2281929	STABILIZER ARM BRACKET	1
284	2260221	VINYL CAP	1
286	2223100	NUT-5/16-18 NYLOCK S/S	2
288	2263422	SCREW - 5/16-18 X 1" SHCS SS	2

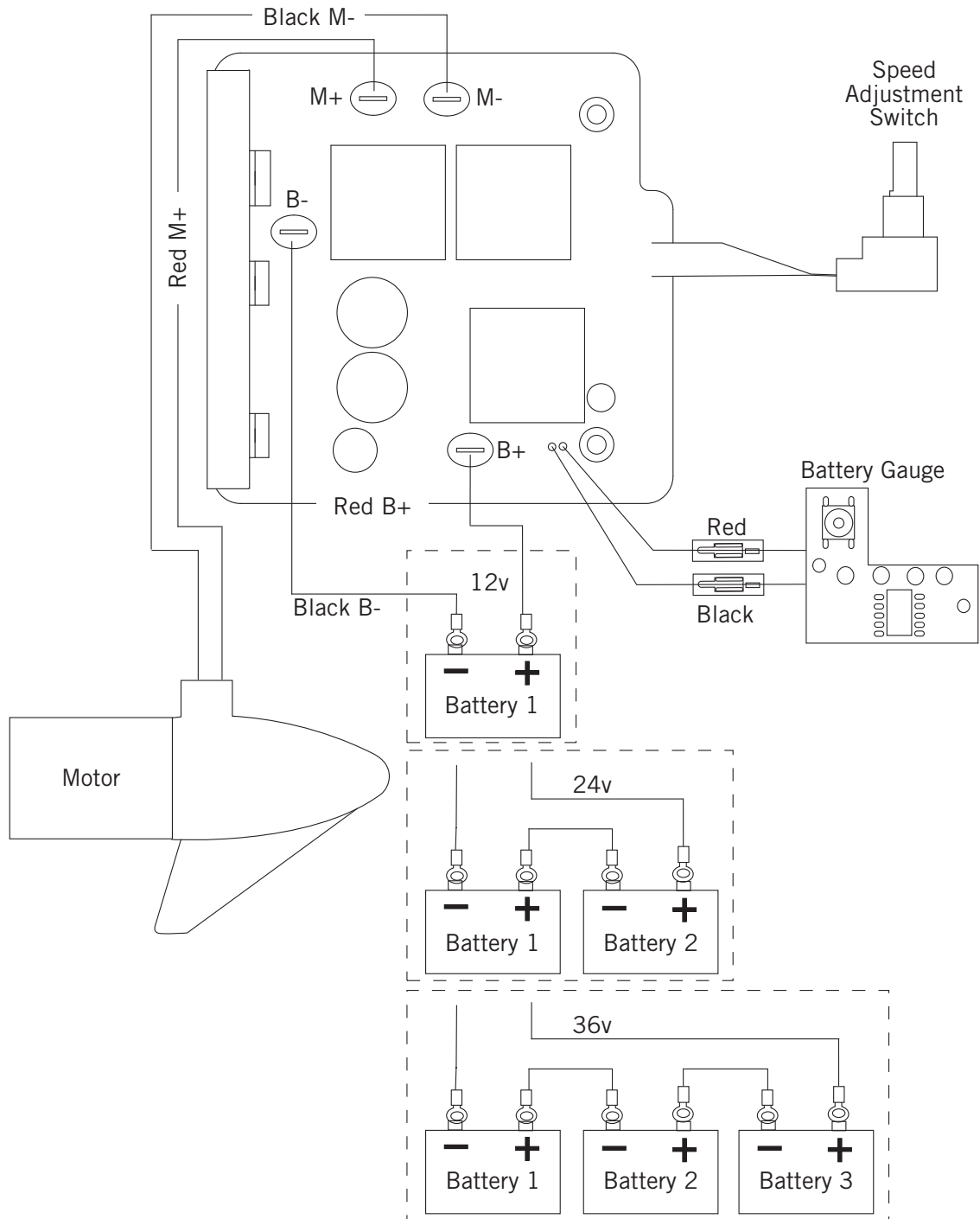
✖ This part is included in an assembly and cannot be ordered individually.

▲ Not shown on Parts Diagram.

MOTOR WIRING DIAGRAM

RIPTIDE FORTREX

The following Motor Wiring Diagram applies to all Riptide Fortrex Hand Control models.



NOTICE: This is a multi-voltage diagram. Double-check your motor's voltage for proper connections. Over-Current Protection Devices are not shown in this illustration.